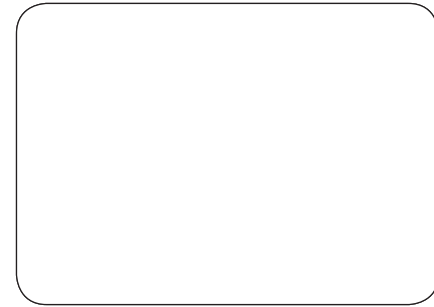
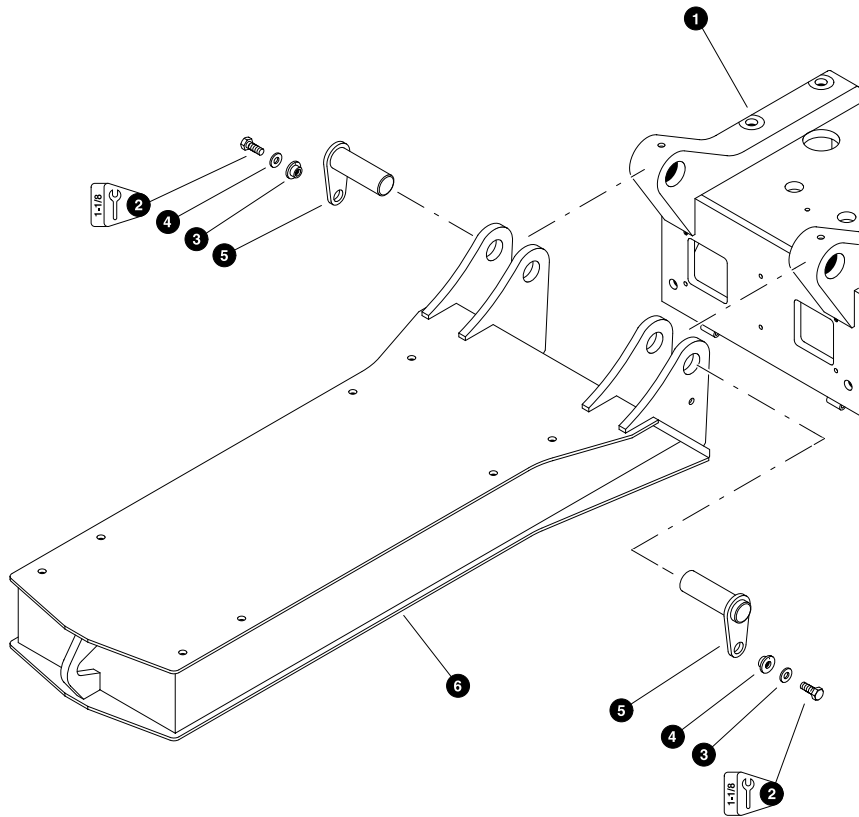


## ***Section FB-1***

---



***Floating Bunk, Log Stakes & Log Rack -  
Structural***

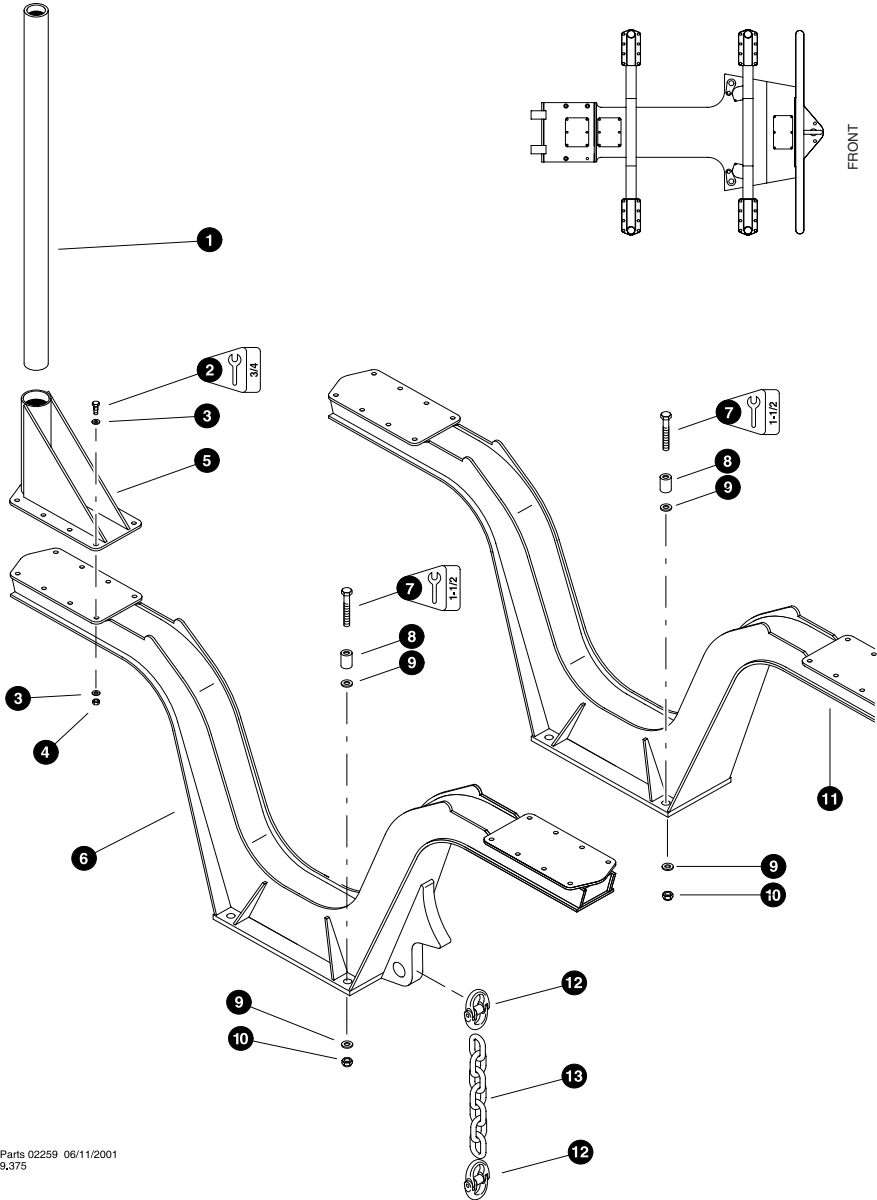


Parts 01917 11/27/2000  
12.50

### FLOATING BUNK INSTALLATION (Typical)

REF	PART #	QTY	DESCRIPTION	SEE SECTION
1	REF.	1	REAR FRAME WELDMENT	
2	15549-FB	2	BOLT - 3/4" x 2"	
3	18570-FB	2	WASHER, pin retaining	
4	15550-FB	2	WASHER, SAE flat - 3/4"	
5	23434-FB	2	PIN, floating bunk - 2-1/2" x 7-7/8"	
6	13481-FB	1	WELDMENT, floating bunk	

See referenced page for component or assembly breakdown.



Parts 02259 06/11/2001  
9.375

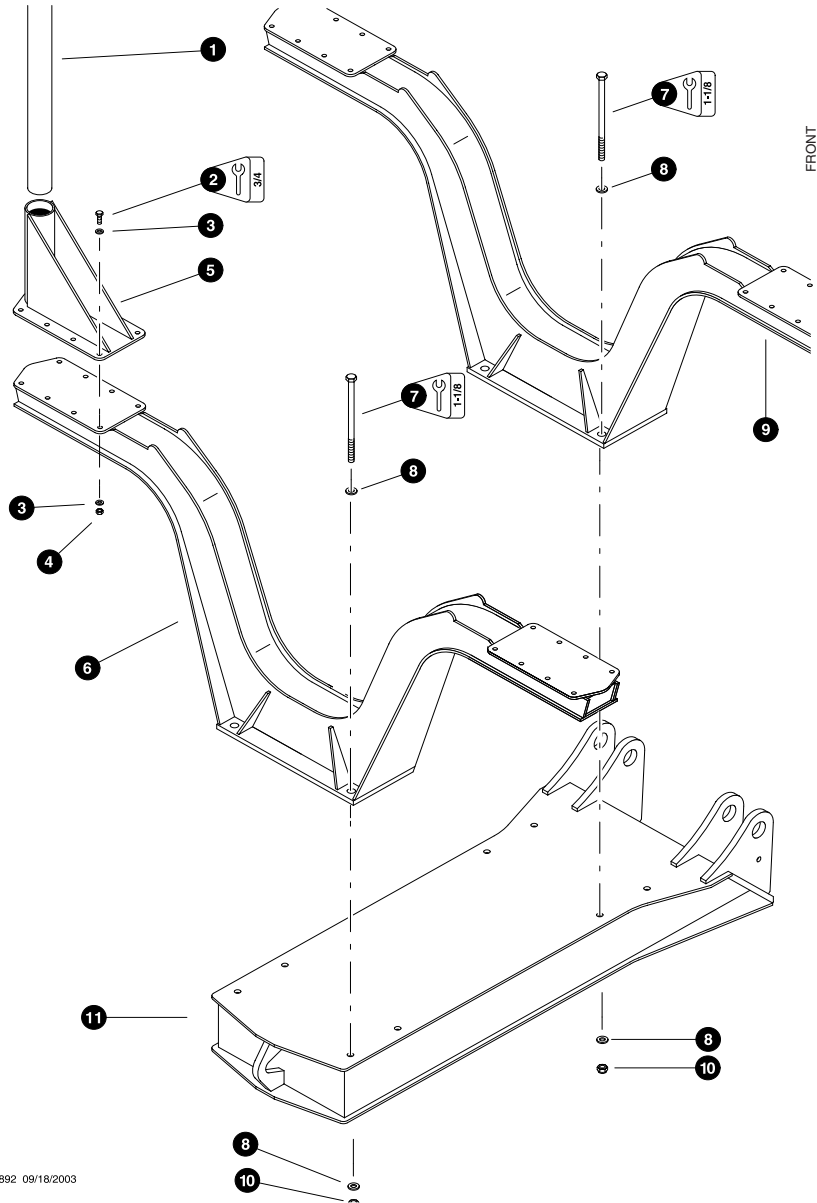
**LOG BUNK & STAKE INSTALLATION**  
(Typical - Forwarder)

(Rear Frame Installation)

REF	PART #	QTY	DESCRIPTION	SEE SECTION
1	21013-FB	4	TUBE, log stake	
2	10736-FB	24	BOLT - 1/2" x 2"	
3	15534-FB	48	WASHER, SAE flat - 1/2"	
4	10815-FB	24	NUT, lock - 1/2"	
5	80398-FB	4	WELDMENT, log stake pocket	
6	50982-FB	1	BUNK, log bunk w/axle stop - 28" (Used on machines with optional 700/50x26.5 & 750/50x26.5 wheels)	
7	20906-FB	8	BOLT - 1"X 5.5" (Used when mounting log bunk to the rear frame)	
8	12463-FB	8	SPACER, 1"	
9	18532-FB	16	WASHER, SAE flat - 1"	
10	18253-FB	16	NUT, lock - 1"	
11	50981-FB	3	BUNK, log bunk - 28" (Used on machines with optional 700/50x26.5 & 750/50x26.5 wheels)	
12	24416-FB	4	LINK, connecting - 3/4"	
13	24442-FB	2	CHAIN, axle stop - 3/4" (7 Links)	

**Note:**

When ordering log bunk weldments, be sure to specify whether or not an axle stop is required. See illustration at left.



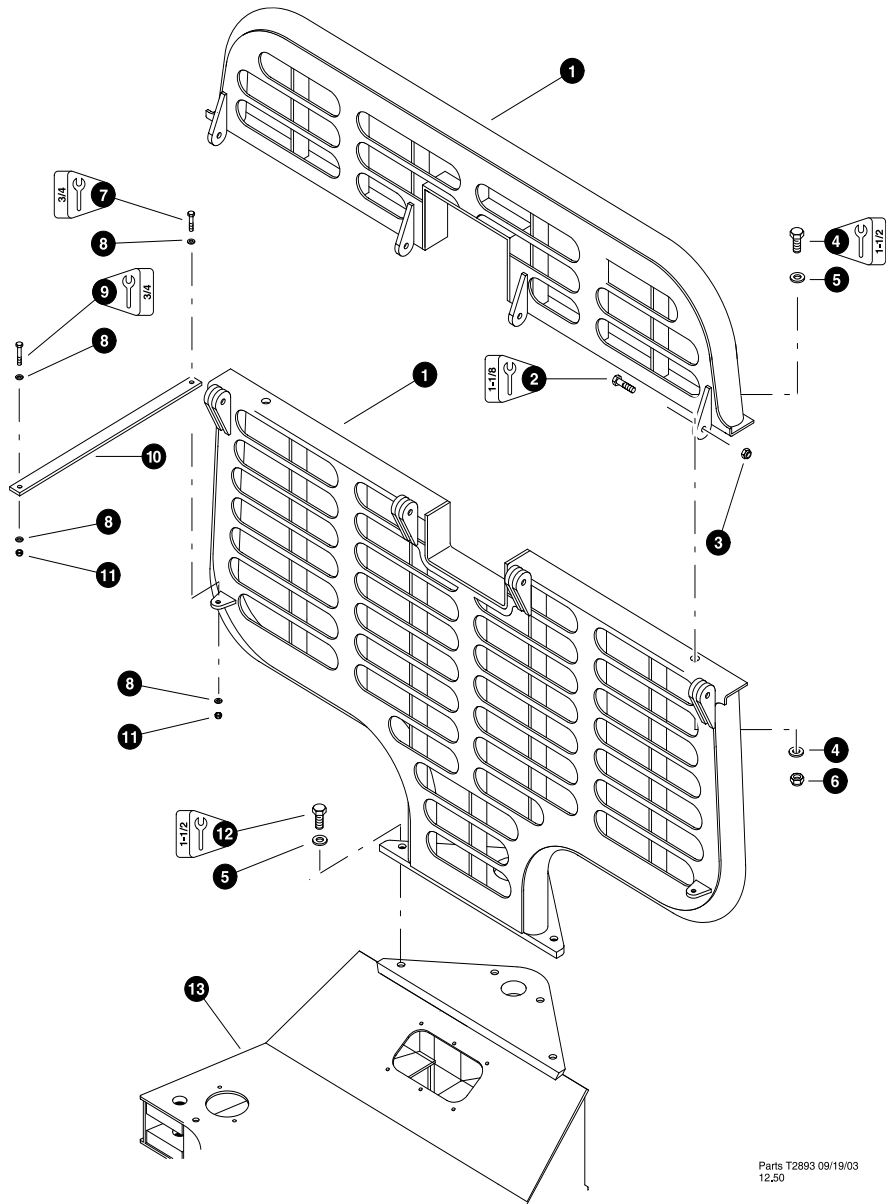
Parts T2892 09/18/2003  
9,375

**LOG BUNK & STAKE INSTALLATION**  
(Typical - Forwarder)

(Floating Bunk Installation)

REF	PART #	QTY	DESCRIPTION	SEE SECTION
1	21013-FB	4	TUBE, log stake	
2	10736-FB	24	BOLT - 1/2" x 2"	
3	15534-FB	48	WASHER, SAE flat - 1/2"	
4	10815-FB	24	NUT, lock - 1/2"	
5	80398-FB	4	WELDMENT, log stake pocket	
6	50981-FB	3	BUNK, log bunk - 28" (Used on machines with optional 700/50x26.5 & 750/50x26.5 wheels)	
7	20905-FB	8	BOLT - 3/4" X 12" (Used when mounting log bunk to the floating bunk)	
8	15550-FB	16	WASHER, SAE flat - 3/4"	
9	50981-FB	3	BUNK, log bunk - 28" (Used on machines with optional 700/50x26.5 & 750/50x26.5 wheels)	
10	10817-FB	16	NUT, lock - 3/4"	
11	REF.	1	FLOATING BUNK	FB-1

See referenced page for component or assembly breakdown.



Parts T2893 09/19/03  
12.50

### LOG RACK INSTALLATION (Typical - Forwarder)

REF	PART #	QTY	DESCRIPTION	SEE SECTION
1	80454-FB	1	<input type="checkbox"/> LOG RACK ASSEMBLY	
2	10842-FB	4	BOLT, 3/4" X 4"	
3	10817-FB	4	NUT, LOCK - 3/4"	
4	15552-FB	2	BOLT, 1" X 2.5"	
5	15579-FB	4	WASHER, FLAT 1"	
6	18253-FB	2	NUT, LOCK - 1"	
7	10736-FB	2	BOLT - 1/2" x 2"	
8	15534-FB	8	WASHER, SAE flat - 1/2"	
9	15565-FB	2	BOLT - 1/2" x 2-1/2"	
10	22291-FB	2	BAR, stabilizer	
11	10815-FB	4	NUT, lock - 1/2"	
12	15552-FB	4	BOLT - 1" x 2-1/2"	
13	REF.	1	<input type="checkbox"/> REAR FRAME	FR-1

- Kit or Assembly - includes all items indented underneath.
- See referenced page for component or assembly breakdown.

