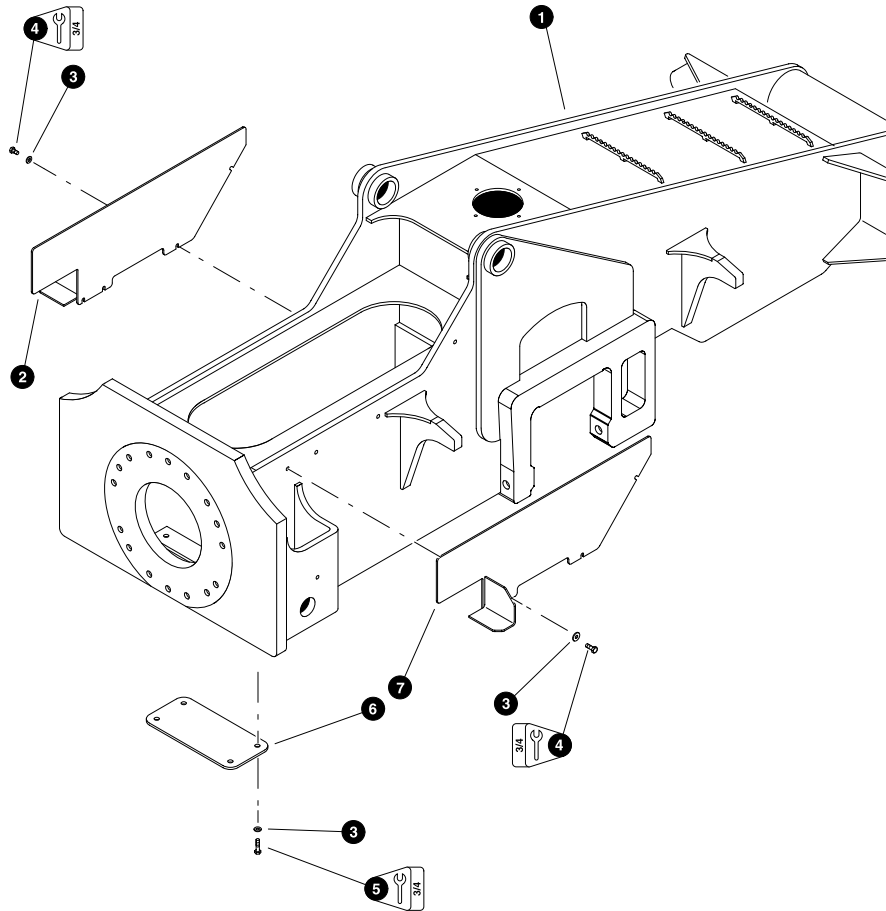


## ***Section HL-1***

---

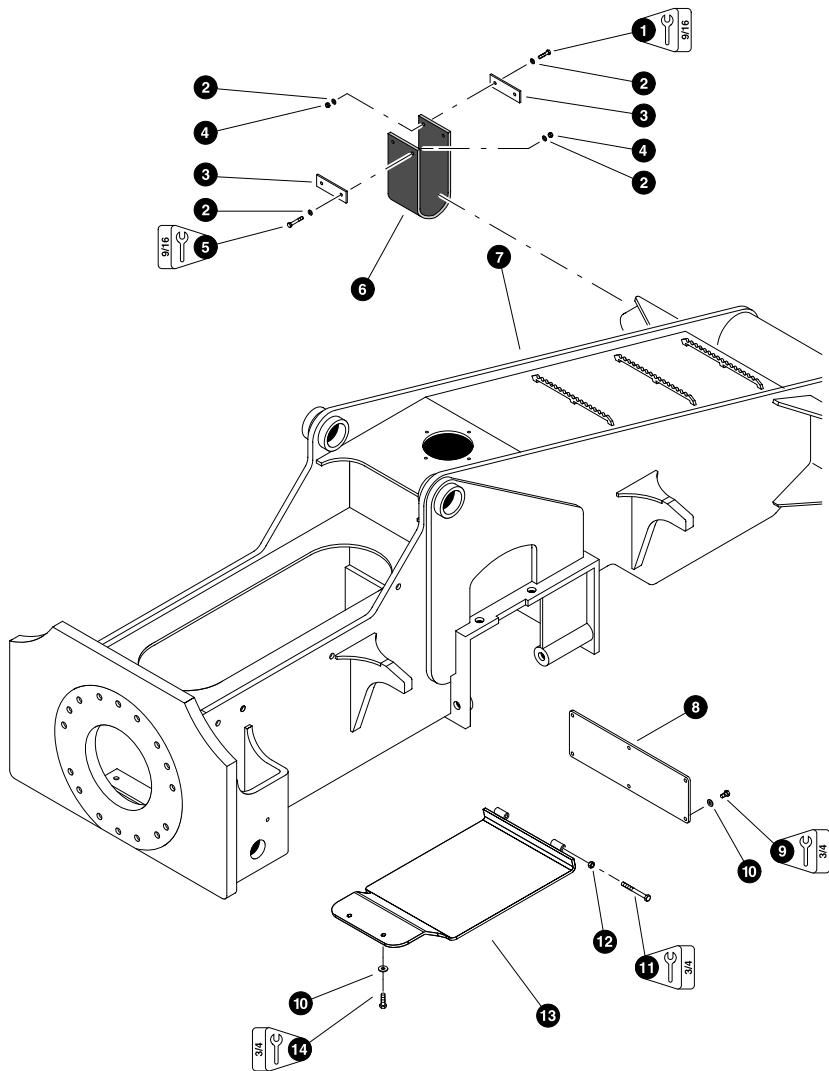
### ***620 Leveling Front Frame - Frame / Covers / Pins***



Parts T2822 08/15/2003  
9,375

**FRAME ACCESS COVERS  
(General)**

REF	PART #	QTY	DESCRIPTION	SEE SECTION
1	40626-HL	1	FRONT FRAME WELDMENT	
2	51104-HL	2	COVER, access (left)	
3	15534-HL	10	WASHER, SAE flat - 1/2"	
4	10783-HL	6	BOLT - 1/2" x 1"	
5	10739-HL	4	BOLT - 1/2" x 1-1/2"	
6	85340-HL	1	COVER, access (only used on machines built before	
7	51105-HL	1	COVER, access (right)	

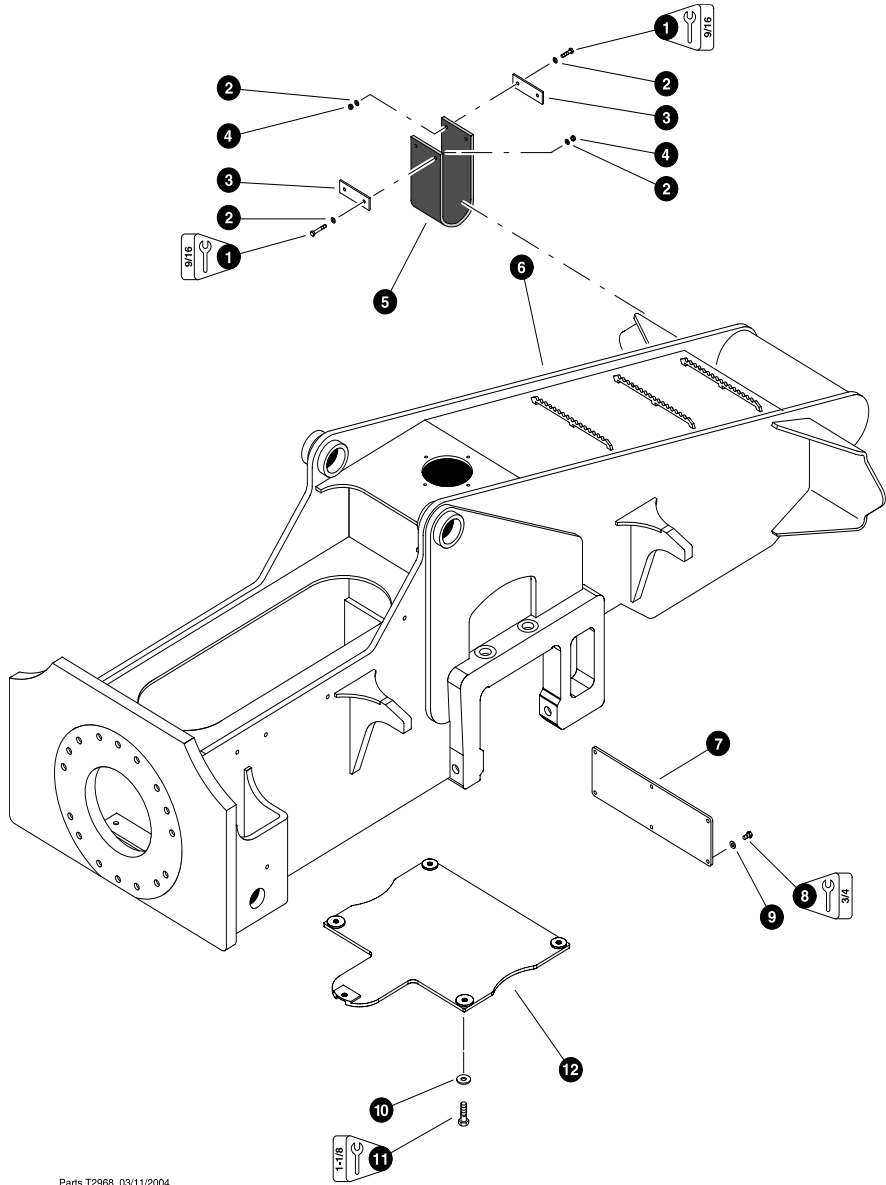


Parts T2823 08/15/03  
9,375

**FRAME ACCESS COVERS**  
**(Lower - Leveling Front Frame)**  
**(Old Axle Box - Machines built before 12/01/03)**

REF	PART #	QTY	DESCRIPTION	SEE SECTION
1	20084-HL	3	BOLT - 3/8" x 1-3/4"	
2	15528-HL	8	WASHER, SAE flat - 3/8"	
3	20209-HL	2	RETAINER, rubber step	
4	10813-HL	8	NUT, lock - 3/8"	
5	10731-HL	1	BOLT - 3/8" x 1-1/2"	
6	20210-HL	1	STEP, rubber	
7	REF.	1	FRONT FRAME WELDMENT	HL-1
8	80316-HL	1	COVER, access - axle box	
9	10783-HL	6	BOLT - 1/2" x 1"	
10	15534-HL	8	WASHER, SAE flat - 1/2"	
11	10835-HL	2	BOLT - 1/2" x 4-1/2"	
12	10815-HL	2	NUT, lock - 1/2"	
13	40780-HL	1	COVER, access - front frame axle	
14	10739-HL	2	BOLT - 1/2" x 1-1/2"	

See referenced page for component or assembly breakdown.

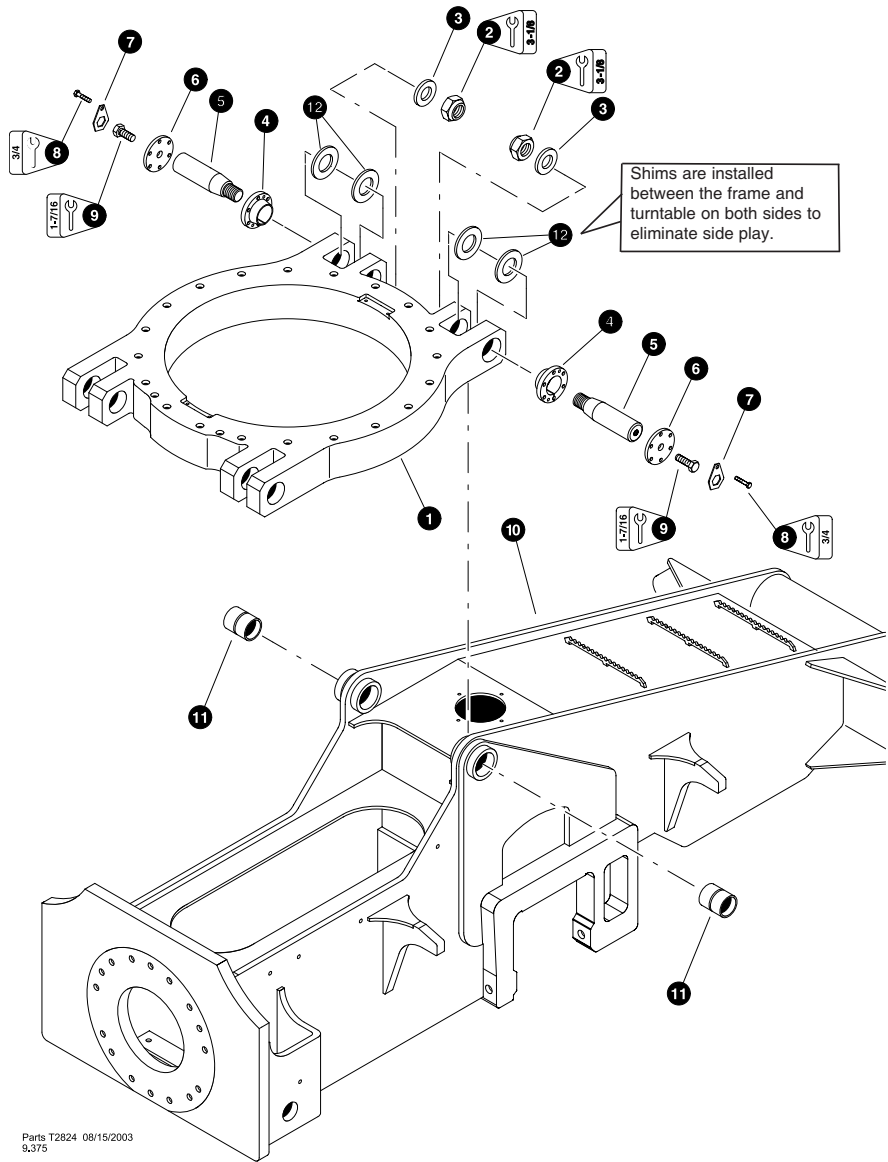


Parts T2968 03/11/2004  
9.375

**FRAME ACCESS COVERS**  
**(Lower - Leveling Front Frame)**  
**(New Axle Box - Machines built after 12/01/03)**

REF	PART #	QTY	DESCRIPTION	SEE SECTION
1	20084-HL	3	BOLT - 3/8" x 1-3/4"	
2	15528-HL	8	WASHER, SAE flat - 3/8"	
3	20209-HL	2	RETAINER, rubber step	
4	10813-HL	8	NUT, lock - 3/8"	
5	20210-HL	1	STEP, rubber	
6	REF.	1	FRONT FRAME WELDMENT	HL-1
7	40972-HL	1	COVER, access - axle box	
8	10783-HL	6	BOLT - 1/2" x 1"	
9	15534-HL	8	WASHER, SAE flat - 1/2"	
10	15550-HL	8	WASHER, SAE flat - 3/4"	
11	15549-HL	2	BOLT - 3/4" x 1 1/2"	
12	40954-HL	1	COVER, access - front frame axle	

See referenced page for component or assembly breakdown.

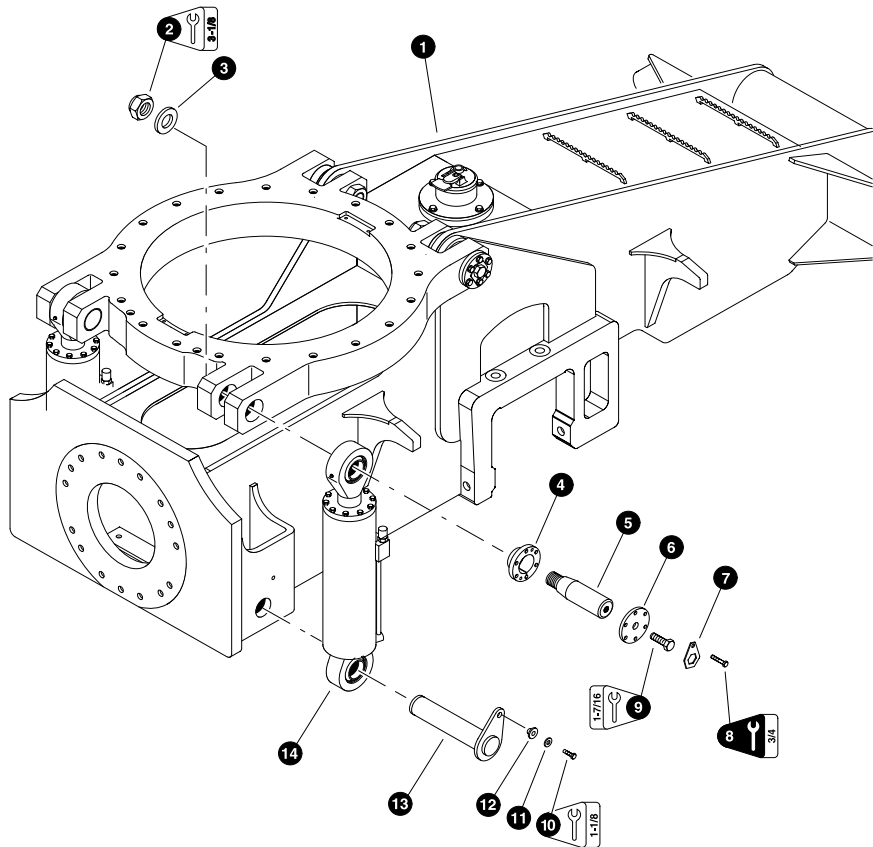


Parts T2824 08/15/2003  
9.375

**CAB LEVELING COMPONENTS**

REF	PART #	QTY	DESCRIPTION	SEE SECTION
1	85347-HL	1	PLATE, lower turntable	
2	10728-HL	2	NUT, nylock - 2"	
3	12021-HL	2	WASHER, burned	
4	12352-HL	2	HUB, taper - 1-1/4"	
5	18054-HL	2	PIN, chrome - 3" x 11-3/4"	
6	12115-HL	2	CAP, taper hub	
7	12116-HL	2	LOCK, center taper hub bolt	
8	15565-HL	12	BOLT - 1/2" x 2-1/2" (Torque to 100 ft.lbs. (133 Nm))	
9	15552-HL	2	BOLT - 1" x 2-1/2"	
10	REF.	1	FRONT FRAME WELDMENT	HL-1
11	11706-HL	2	BUSHING - 3" x 4-1/4"	
12	19150-HL	AR	SHIM - 1/4" thick	
	16333-HL	AR	SHIM - 7 gauge (.179") thick	
	16637-HL	AR	SHIM - 10 gauge (.135") thick	
	16338-HL	AR	SHIM - 14 gauge (.075") thick	

See referenced page for component or assembly breakdown.

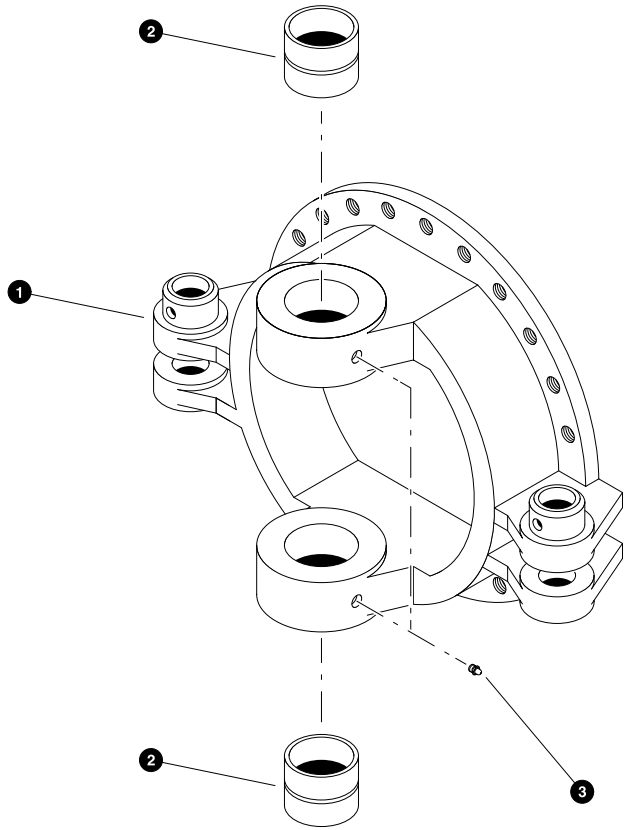


Parts T2825 08/14/03  
3,375

**CAB LEVEL CYLINDER INSTALLATION**

REF	PART #	QTY	DESCRIPTION	SEE SECTION
1	REF.	1	FRONT FRAME WELDMENT	HL-1
2	10728-HL	2	NUT, nylock - 2"	
3	12021-HL	2	WASHER, burned	
4	12352-HL	2	HUB, taper - 1-1/4"	
5	18055-HL	2	PIN, Chrome - 3" x 11"	
6	12115-HL	2	CAP, taper hub	
7	12116-HL	2	LOCK, center taper hub bolt	
8	15565-HL	12	BOLT - 1/2" x 2-1/2" (Torque to 100 ft.lbs. (133 Nm))	
9	15552-HL	2	BOLT - 1" x 2-1/2"	
10	15549-HL	1	BOLT - 3/4" x 2"	
11	15550-HL	1	WASHER, SAE flat - 3/4"	
12	18570-HL	1	WASHER, pin retaining	
13	21008-HL	1	PIN ASSEMBLY - 3" x 14-1/4"	
14	REF.	2	CAB LEVEL CYLINDER	HL-3

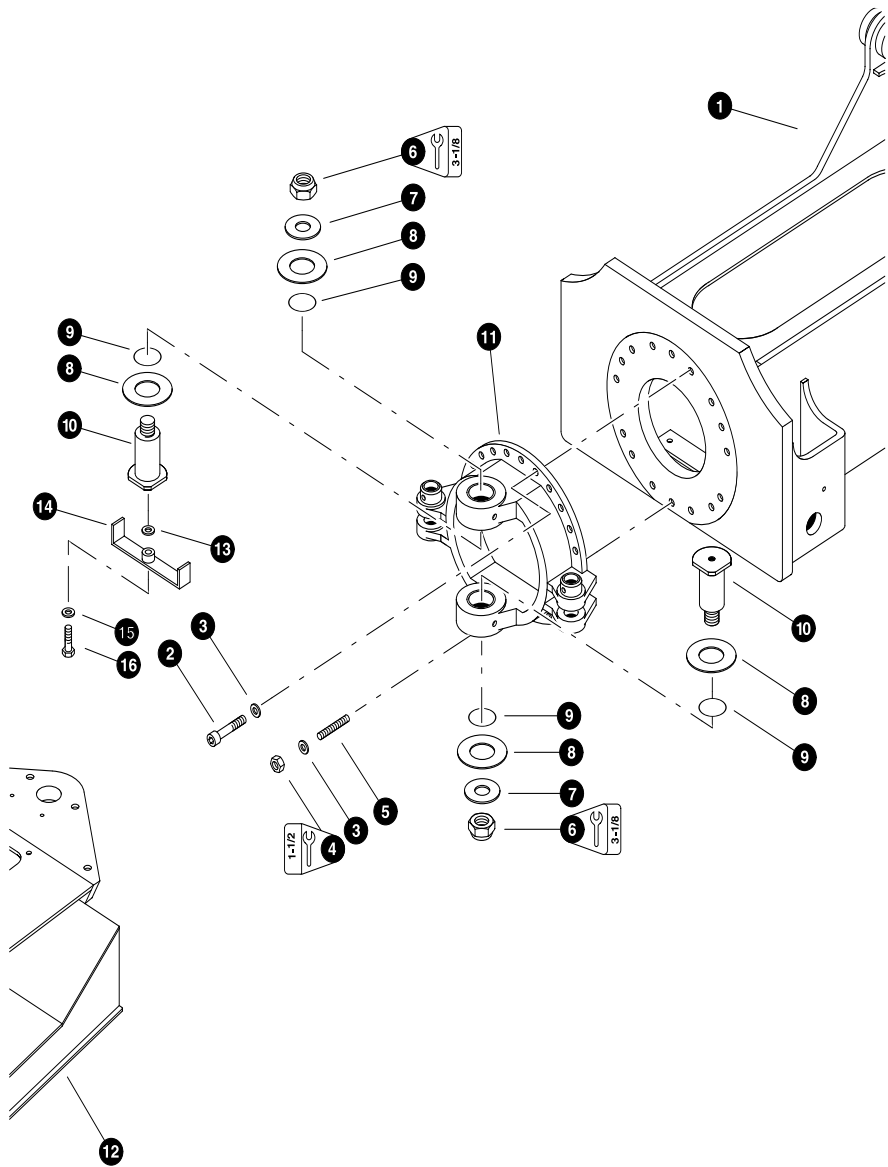
See referenced page for component or assembly breakdown.



### ARTICULATION CASTING

REF	PART #	QTY	DESCRIPTION	SEE SECTION
1	23099-HL	1	<input type="checkbox"/> CASTING, frame articulation (please specify machine model on order)	
2	23103-HL	2	BUSHING - 3-1/2" x 2-3/4"	
3	10704-HL	2	FITTING, grease - 1/8" pipe thread	

Kit or Assembly - includes all items indented underneath.



Parts T2826 08/18/2003  
9,375

**ARTICULATION ASSEMBLY**

REF	PART #	QTY	DESCRIPTION	SEE SECTION
1	REF.	14	FRONT FRAME WELDMENT	HL-1
2	50410-HL	14	BOLT, ALLEN - 1" x 5" (Torque to 1000 ft.lbs (1330 Nm) (see note #1)	
3	18532-HL	16	WASHER, SAE flat (THICK) - 1"	
4	19073-HL	2	NUT, 1" (Torque to 1000 ft.lbs (1330 Nm)	
5	50587-HL	2	STUD, 1" (see note #1)	
6	10728-HL	2	NUT, nylock - 2"	
7	51499-HL	2	WASHER, articulation pin (3/8")	
8	23106-HL	AR	WASHER, thrust - thin (Brass)	
	23105-HL	AR	WASHER, thrust - thick (Brass)	
9	21577-HL	AR	O-RING - thin	
	24546-HL	AR	O-RING - thick	
10	23102-HL	2	PIN, articulation - 3-1/2" x 8-5/8"	
11	REF.	1	FRAME ARTICULATION CASTING	HL-2
12	REF.	1	REAR FRAME WELDMENT	HR-1
13	50464-HL	1	WASHER, SAE flat (THICK) - 3/4"	
14	40830-HL	1	BRACKET, articulation joint hose	
15	15550-HL	1	WASHER, SAE flat 3/4"	
16	10840-HL	1	BOLT - 3/4 X 3"	

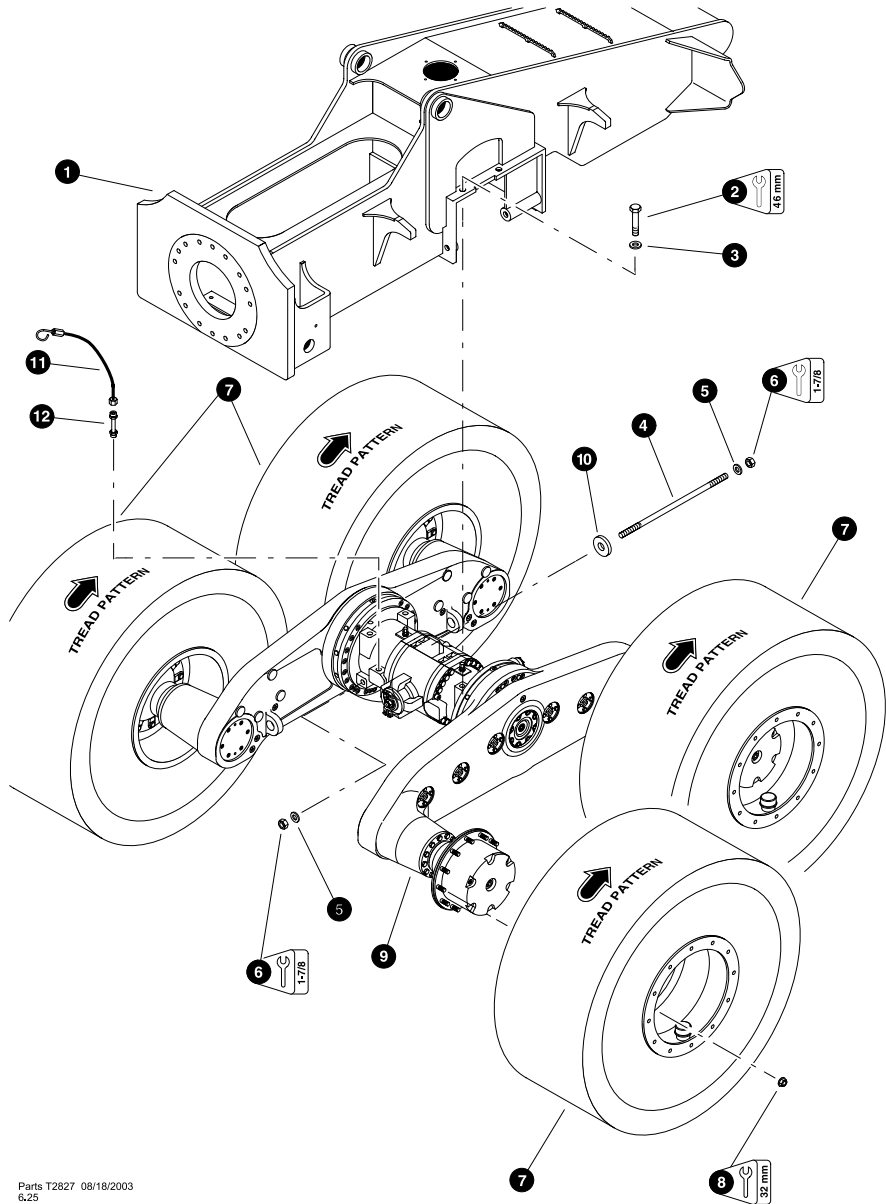
See referenced page for component or assembly breakdown.

**NOTE #1**

Use anti-seize lubricant on threads before assembly.







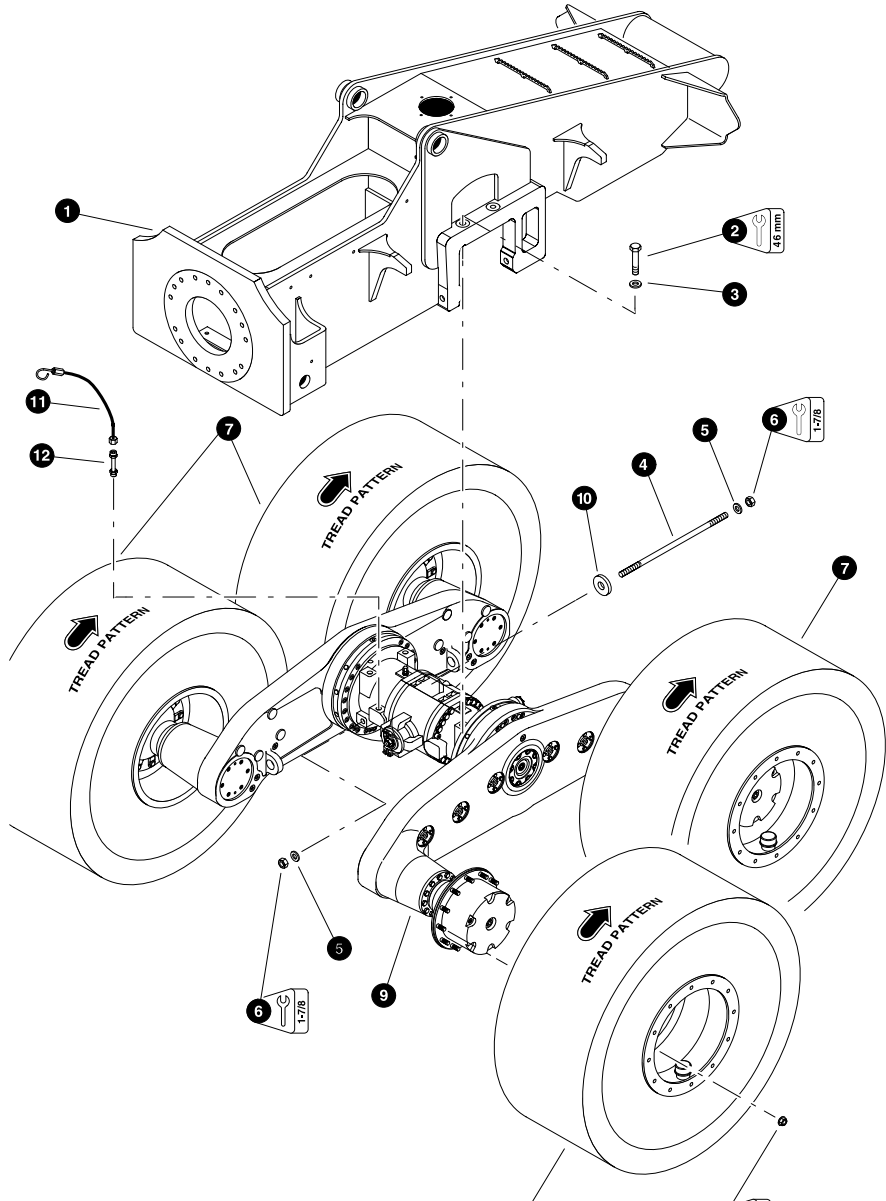
Parts T2827 08/18/2003  
6.25

### FRONT AXLE INSTALLATION

(Machines built before 12/01/03)

REF	PART #	QTY	DESCRIPTION	SEE SECTION
1	REF.	1	FRONT FRAME WELDMENT	HL-1
2	23566-HL	4	BOLT - 30mm-3.5P x 160 mm (Torque to 1100 ft.lbs. (1465 Nm))	
3	23568-HL	4	WASHER, hardened flat - 30mm	
4	23851-HL	2	STUD, axle spreader box - 1-1/4" (Torque to 1200 ft.lbs. (1600 Nm))	
5	23990-HL	4	WASHER, SAE flat - 1-1/4" (Thick)	
6	23989-HL	4	NUT, lock - 1-1/4"	
7	REF.	4	WHEEL ASSEMBLY	AX-3
8	19361-HL	48	NUT, lug (Torque to 600 ft.lbs. (800 Nm))	
9	REF.	1	FRONT AXLE	AX-1
10	24003-HL	2	SPACER, axle spreader stud	
11	21165-HL	1	TUBE, dipstick (top)	
-	21561-HL	1	BLADE, dipstick	
12	21164-HL	1	TUBE, dipstick (bottom)	

See referenced page for component or assembly breakdown.

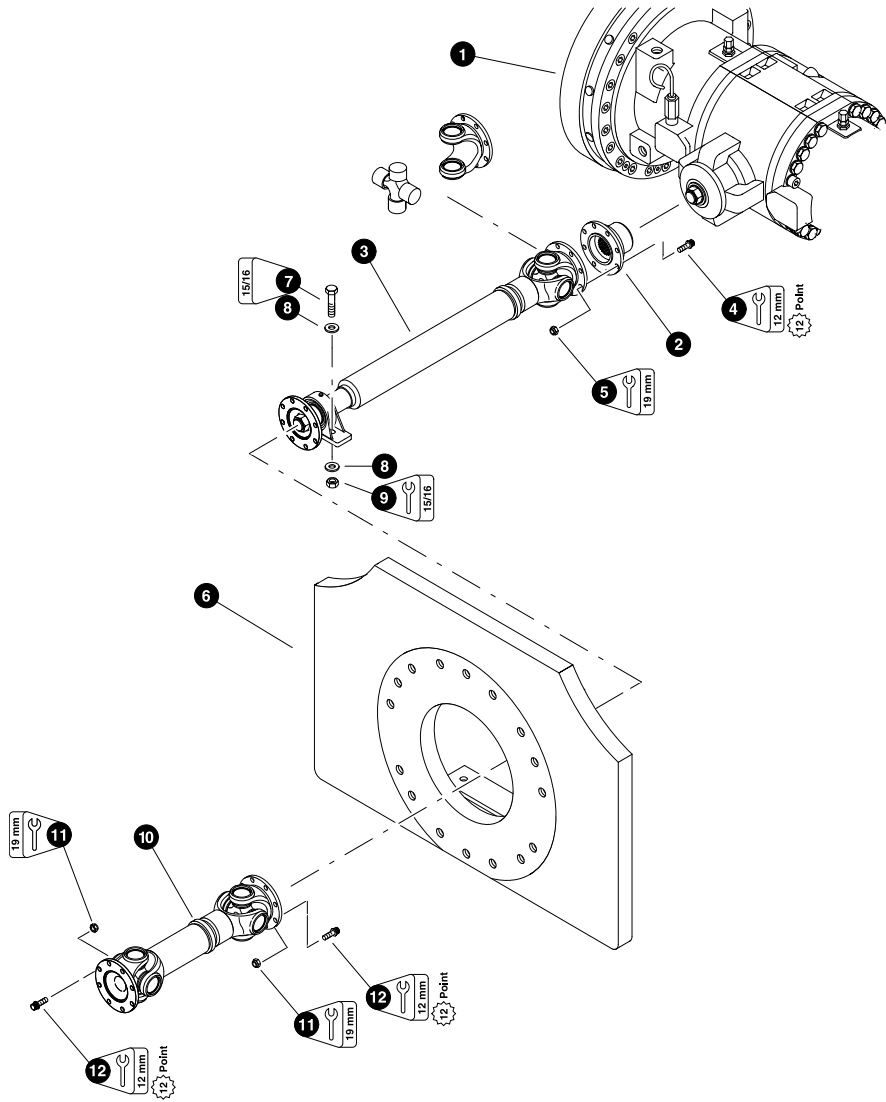


### FRONT AXLE INSTALLATION

(New Axle Box - Machines built after 12/01/03)

REF	PART #	QTY	DESCRIPTION	SEE SECTION
1	REF.	1	FRONT FRAME WELDMENT	HL
2	23567-HL	4	BOLT - 30mm-3.5P x 220mm (Torque to 1100 ft.lbs. (1465 Nm))	
3	23568-HL	4	WASHER, hardened flat - 30mm	
4	23851-HL	2	STUD, axle spreader box - 1-1/4" (Torque to 1200 ft.lbs. (1600 Nm))	
5	22531-HL	4	WASHER, SAE flat - 1-1/4"	
6	23989-HL	4	NUT, lock - 1-1/4"	
7	REF.	4	WHEEL ASSEMBLY	AX-3
8	19361-HL	48	NUT, lug (Torque to 600 ft.lbs. (800 Nm))	
9	REF.	1	FRONT AXLE	AX-1
10	24003-HL	2	SPACER, axle spreader stud	
11	21165-HL	1	TUBE, dipstick (top)	
-	21561-HL	1	BLADE, dipstick	
12	21164-HL	1	TUBE, dipstick (bottom)	

See referenced page for component or assembly breakdown.



Parts T2828 08/18/2003  
12,50

**DRIVE SHAFT INSTALLATION**

REF	PART #	QTY	DESCRIPTION	SEE SECTION
1	REF.	1	FRONT AXLE	AX-1
2	23997-HL	1	YOKE, companion flange - axle (Torque to 590 ft lbs. (800 Nm) (See Note #2 Below)	
3	---	1	DRIVE SHAFT, heavy duty (Center joint to front axle) (467889-61)	
	---	2	FITTING, 90° grease - 10mm	
	50466-HL	1	KIT, CROSS & BEARING	
	50467-HL	1	YOKE, FLANGE	
4	50261-HL	8	BOLT, 12 point - 12mm-1.75P x 35mm (See Note #1 Below)	
5	50262-HL	8	NUT, lock - 12mm	
6	REF.	1	FRONT FRAME WELDMENT	HL-1
7	10720-HL	6	BOLT, - 5/8" x 3" (See Note #1 Below) (Torque to 130 ft.lbs. (175 Nm))	
8	23210-HL	4	WASHER, SAE flat 5/8" (extra thick)	
9	10816-HL	2	NUT, lock - 5/8"	
10	25968-HL	1	DRIVE SHAFT (Center joint)	
	---	2	FITTING, 90° grease - 10mm	
	50466-HL	2	KIT, CROSS & BEARING	
	50467-HL	2	YOKE, FLANGE	
11	50261-HL	16	BOLT, 12 point - 12mm-1.75P x 35mm (See Note #1 Below)	
12	50262-HL	16	NUT, lock - 12mm	

- ☞ See referenced page for component or assembly breakdown.
- ☐ Kit or Assembly - includes all items indented underneath.

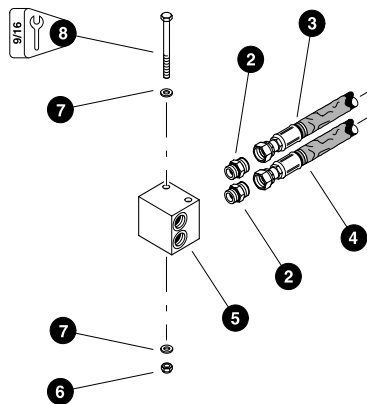
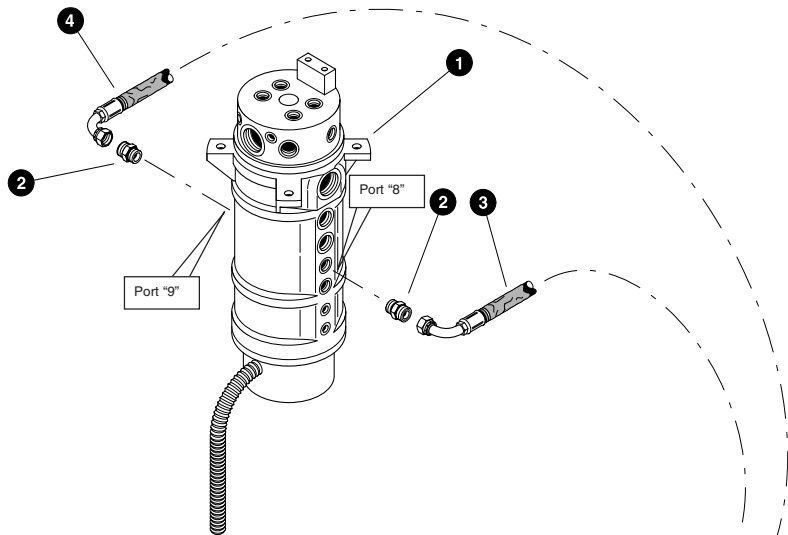
Note #1:

Use Loctite 243 (blue) on threads during installation.

Note #2:

Use Loctite 271 (red) on threads during installation.

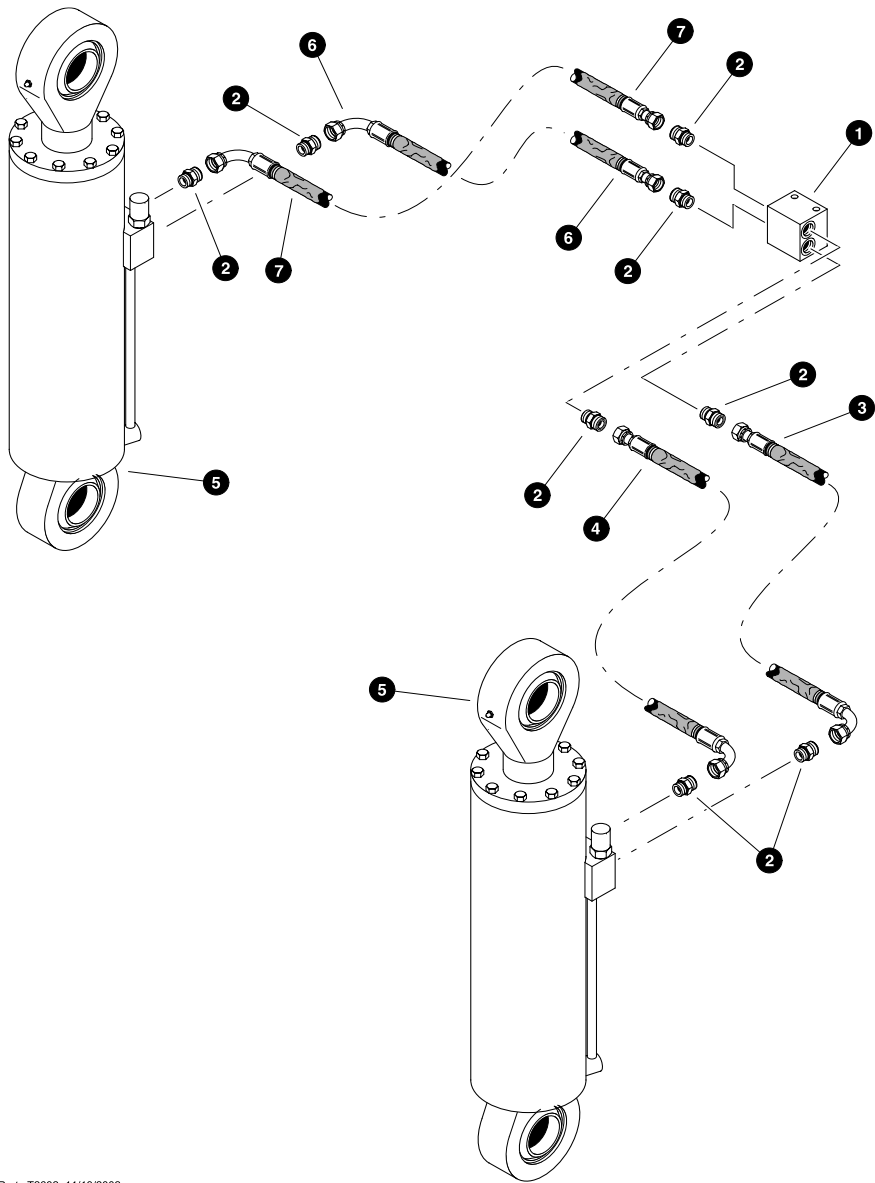




**LEVELING HYDRAULICS  
(Rotary Manifold to Leveling Manifold)**

REF	PART #	QTY	DESCRIPTION	SEE SECTION
1	REF	1	ROTARY MANIFOLD ASSEMBLY	UP-1-6
2	15115-HL	2	CONNECTOR, straight - FF1852T-0810S	
3	50326-HL	1	HOSE ASSEMBLY - 4050-08-08OD-08O9-W (Lower rotary manifold port #8 to top forward port of leveling manifold)	
4	50326-HL	1	HOSE ASSEMBLY - 4050-08-08OS-08O9-W (Lower rotary manifold port #9 to bottom forward port of leveling manifold)	
5	22717-HL	1	MANIFOLD, leveling	
6	10813-HL	2	NUT, lock - 3/8"	
7	15528-HL	4	WASHER, SAE flat - 3/8"	
8	10753-HL	2	BOLT - 3/8" x 4-1/2"	

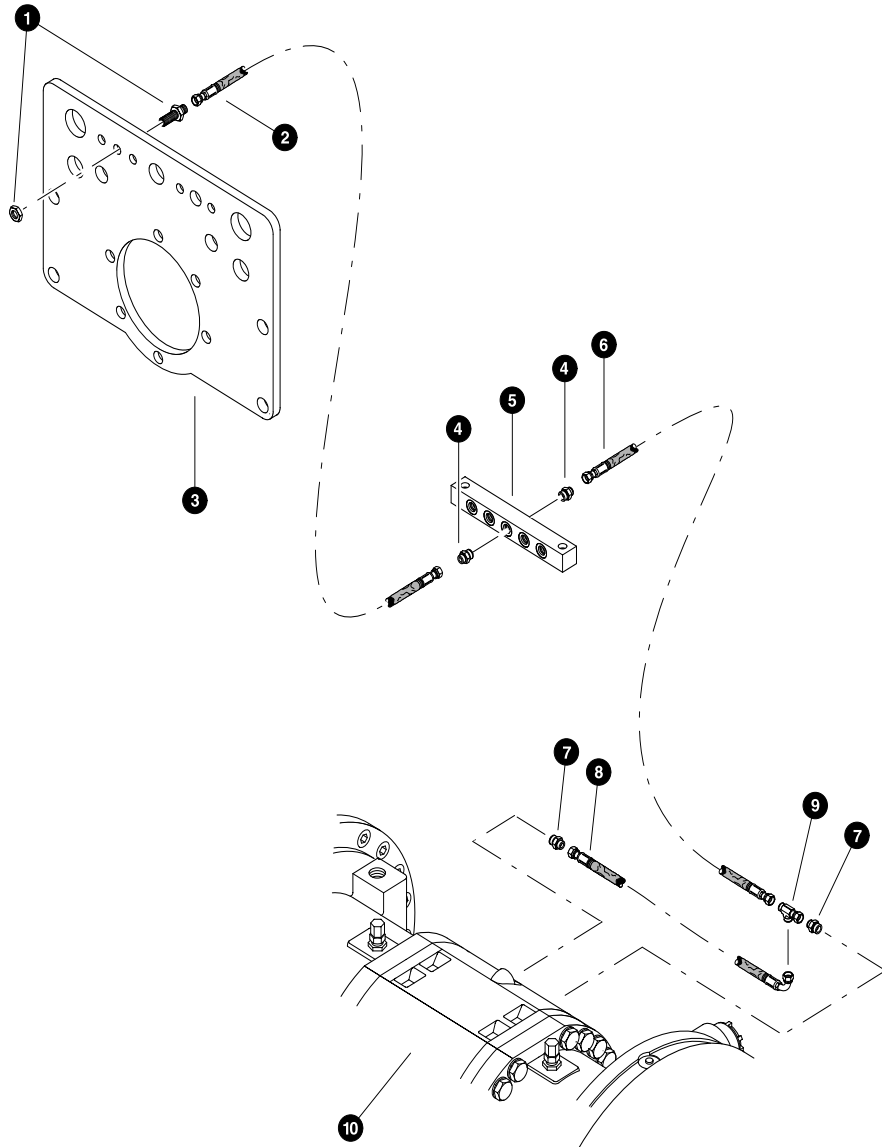
See referenced page for component or assembly breakdown.



**LEVELING HYDRAULICS**  
**(Leveling Manifold to Leveling Cylinders)**

REF	PART #	QTY	DESCRIPTION	SEE SECTION
1	22717-HL	1	MANIFOLD, leveling	
2	15115-HL	8	CONNECTOR, straight - FF1852T-0810S	
3	50324-HL	1	HOSE ASSEMBLY - 4025-08-08OS-08O9-W (Bottom RH port of leveling manifold to RH leveling cylinder base port)	
4	50323-HL	1	HOSE ASSEMBLY - 4023-08-08OS-08O9-W (Top RH port of leveling manifold to RH leveling cylinder rod port)	
5	REF	2	LEVELING CYLINDER	HL-3-26
6	50323-HL	1	HOSE ASSEMBLY - 4023-08-08OS-08O9 (Top LH port of leveling manifold to LH leveling cylinder rod port)	
7	50324-HL	1	HOSE ASSEMBLY - 4025-08-08OS-08O9 (Bottom LH port of leveling manifold to LH leveling cylinder base port)	

See referenced page for component or assembly breakdown.



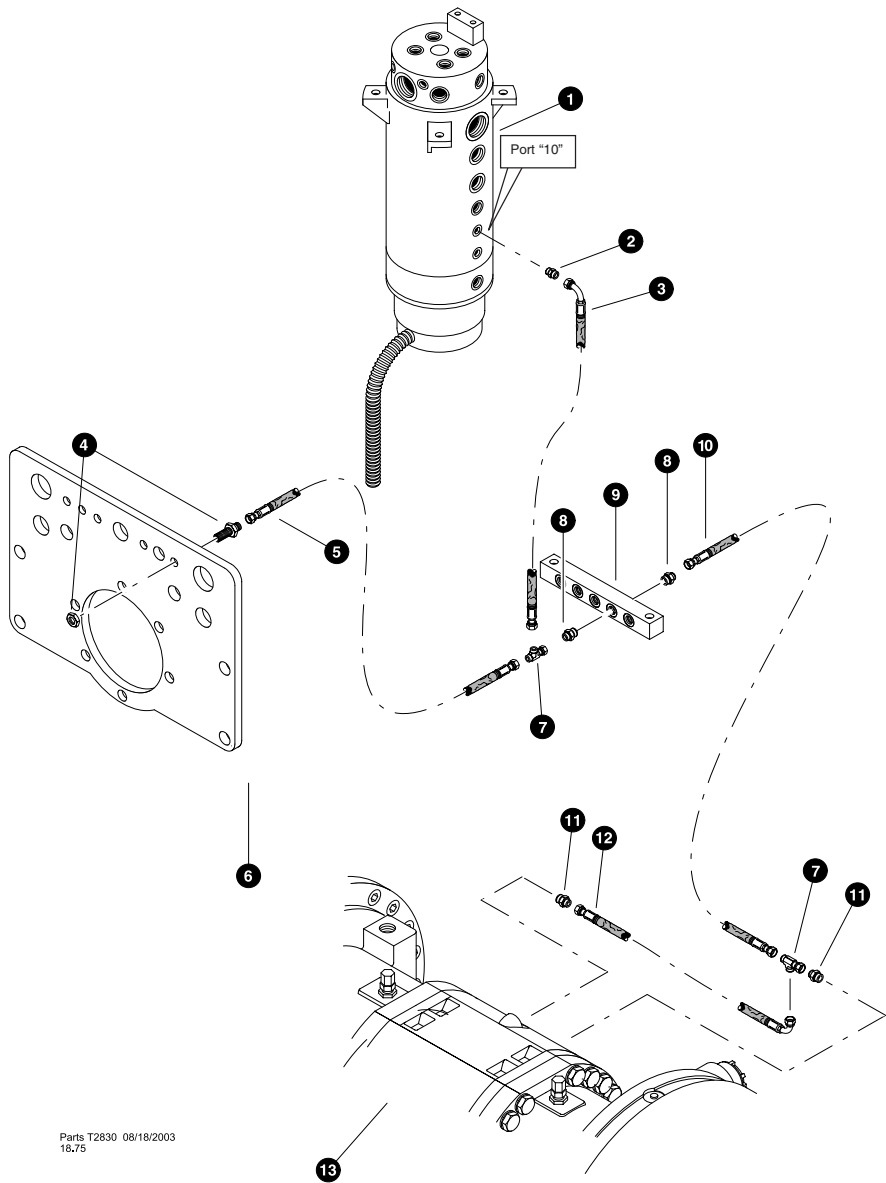
Parts T2829 08/18/2003  
25.00

**FRONT AXLE PARKING BRAKE LINES**  
(From Rear Frame Bulkhead Plate to Front Axel)

REF	PART #	QTY	DESCRIPTION	SEE SECTION
1	18582-HL	1	CONNECTOR, straight bulkhead - 04	
2	50575-HL	1	HOSE ASSEMBLY - 2087-04-040S-040S (Junction manifold to rear frame bulkhead plate)	
3	40006-HL	1	BRACKET, bearing mount 620	
4	15124-HL	2	CONNECTOR, straight - FF1852T-0404S	
5	22287-HL	1	MANIFOLD, GAUGE	
6	50312-HL	1	HOSE ASSEMBLY - 2046-04-040S-040S (Junction manifold to front axle parking brake tee)	
7	19470-HL	2	CONNECTOR, straight - 4M14F8OMLO-S	
8	50607-HL	1	HOSE ASSEMBLY - 2009.5-04-040S-0409	
9	15176-HL	2	TEE - FF2114T-0404S	
10	REF.	1	FRONT AXLE	AX-1-2

See referenced page for component or assembly breakdown.



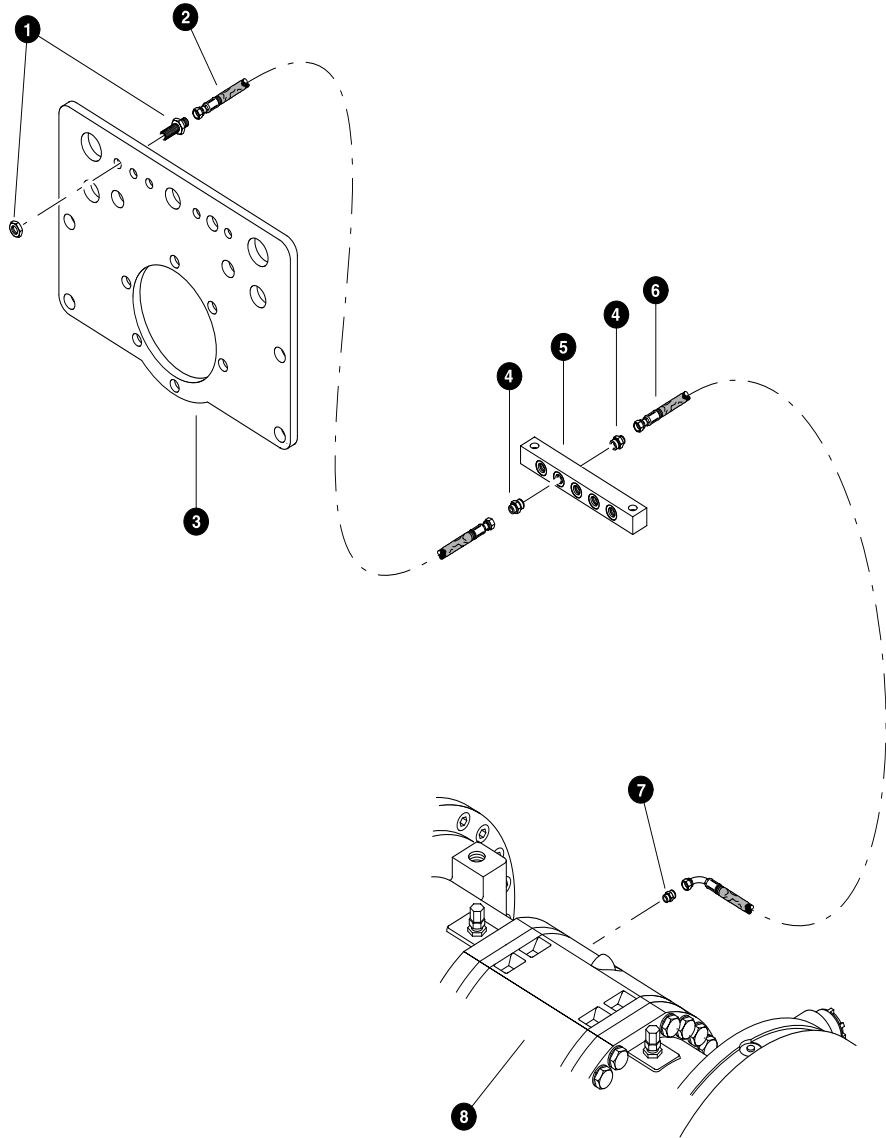


Parts T2830 08/18/2003  
18.75

**FRONT AXLE TRAVEL BRAKE LINES**  
(From Rotary Manifold to Front Axel)

REF	PART #	QTY	DESCRIPTION	SEE SECTION
1	REF.	1	ROTARY MANIFOLD .....	UP-1-6
2	15124-HL	1	CONNECTOR, straight - FF1852T-0406S	
3	50569-HL	1	HOSE ASSEMBLY - 2039-04-040S-0409 (Junction manifold to rotary manifold port #10)	
4	18582-HL	1	CONNECTOR, straight bulkhead - 04	
5	50575-HL	1	HOSE ASSEMBLY - 2087-04-040S-040S (Junction manifold to rear frame bulkhead plate)	
6	40006-HL	1	BRACKET, bearing mount - (bulkhead plate 620)	
7	15176-HL	2	TEE - FF2114T-0404S	
8	15124-HL	2	CONNECTOR, straight - FF1852T-0404S	
9	22287-HL	1	MANIFOLD, GAUGE	
10	50311-HL	1	HOSE ASSEMBLY - 2038-04-040S-040S (Junction manifold to front axle)	
11	19470-HL	2	CONNECTOR, straight - 4M14F8OML0-S	
12	50607-HL	1	HOSE ASSEMBLY - 2009.5-04-040S-0409	
13	REF.	1	FRONT AXLE .....	AX-1-2

See referenced page for component or assembly breakdown.

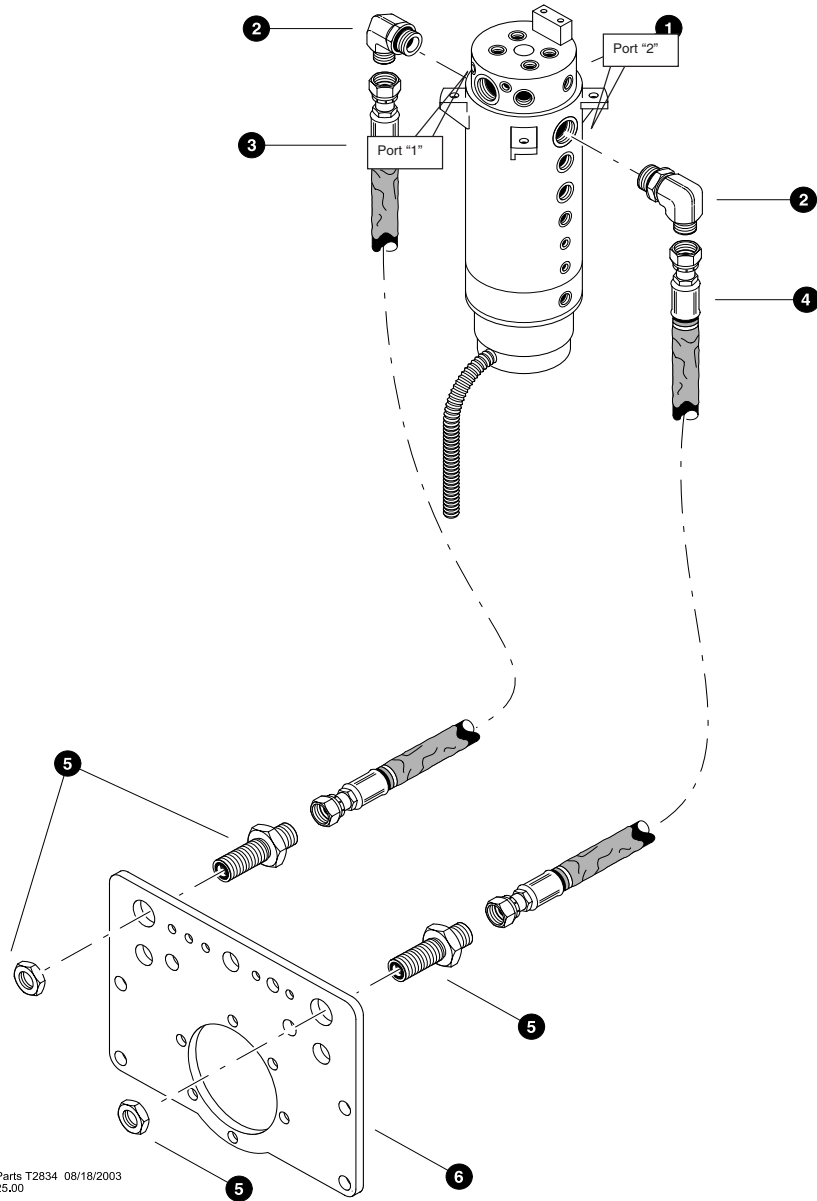


Parts T2831 08/18/2003  
18,75

**FRONT AXLE DIFFERENTIAL LOCK LINES**  
(From Rear Frame Bulkhead Plate to Front Axle)

REF	PART #	QTY	DESCRIPTION	SEE SECTION
1	18582-HL	1	CONNECTOR, straight bulkhead - 04	
2	50575-HL	1	HOSE ASSEMBLY - 2087-04-040S-040S (Junction manifold to rear frame bulkhead plate)	
3	40006-HL	1	BRACKET, bearing mount 620	
4	15124-HL	2	CONNECTOR, straight - FF1852T-0404S	
5	22287-HL	1	MANIFOLD, GAUGE	
6	50573-HL	1	HOSE ASSEMBLY - 2040-04-040S-0409 (Junction manifold to front axle)	
7	19470-HL	2	CONNECTOR, straight - 4M14F8OMLO-S	
8	REF.	1	FRONT AXLE	AX-1-2

See referenced page for component or assembly breakdown.

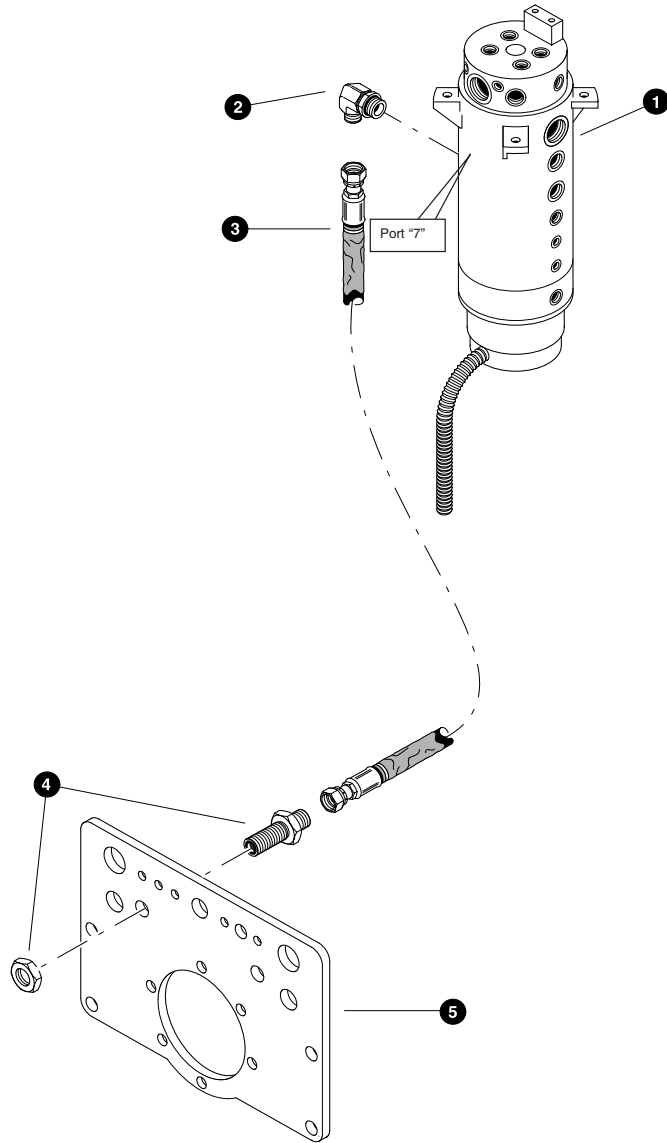


Parts T2834 08/18/2003  
25.00

**DRIVE MOTOR PRESSURE LINES**  
**(Rotary Manifold to Rear Frame Bulkhead Plate)**

REF	PART #	QTY	DESCRIPTION	SEE SECTION
1	REF.	1	ROTARY MANIFOLD	UP-1-6
2	50470-HL	2	ELBOW, 90 - 849-TTO 16-20	
3	50442-HL	1	HOSE ASSEMBLY - 6092-16-160S-160S (rear frame bulkhead plate to rotary manifold port #1)	
4	50441-HL	1	HOSE ASSEMBLY - 6090-16-160S-160S (rear frame bulkhead plate to rotary manifold port #2)	
5	20003-HL	2	CONNECTOR, STR BULKHEAD - 16	
6	40006-HL	1	BRACKET, bearing mount - (bulkhead plate 620)	

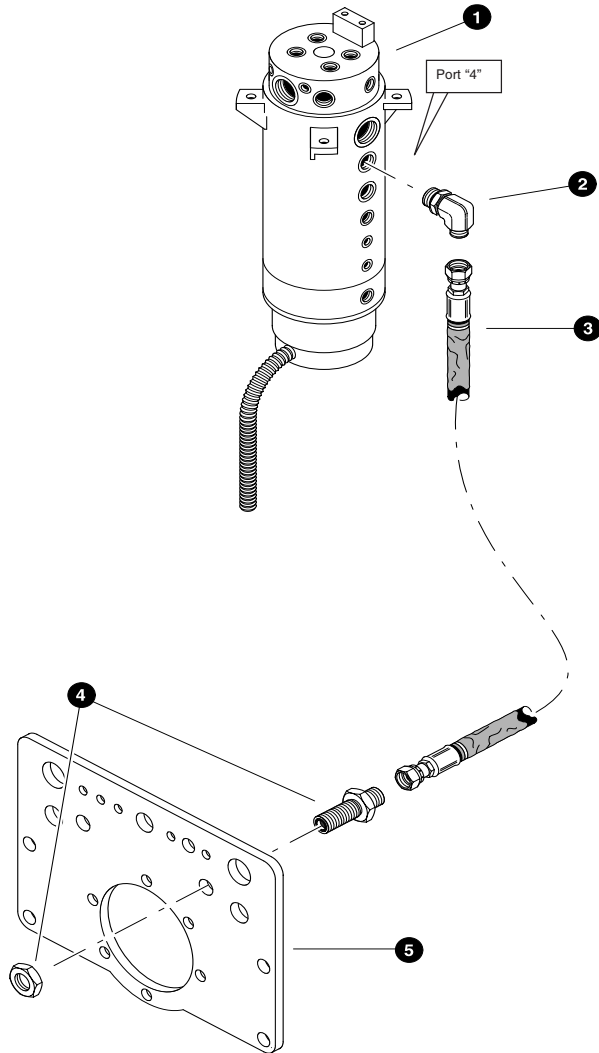
See referenced page for component or assembly breakdown.



**CASE DRAIN LINE**  
**(Rotary Manifold to Rear Frame Bulkhead Plate)**

REF	PART #	QTY	DESCRIPTION	SEE SECTION
1	REF.	1	ROTARY MANIFOLD	UP-1-6
2	15372-HL	1	ELBOW, 90 - 08-12	
3	50320-HL	1	HOSE ASSEMBLY - 4081-08-080S-080S (rear frame bulkhead plate to rotary manifold port #7)	
4	20196-HL	2	CONNECTOR, STR BULKHEAD - 08	
5	40006-HL	1	BRACKET, bearing mount - (bulkhead plate 620)	

See referenced page for component or assembly breakdown.

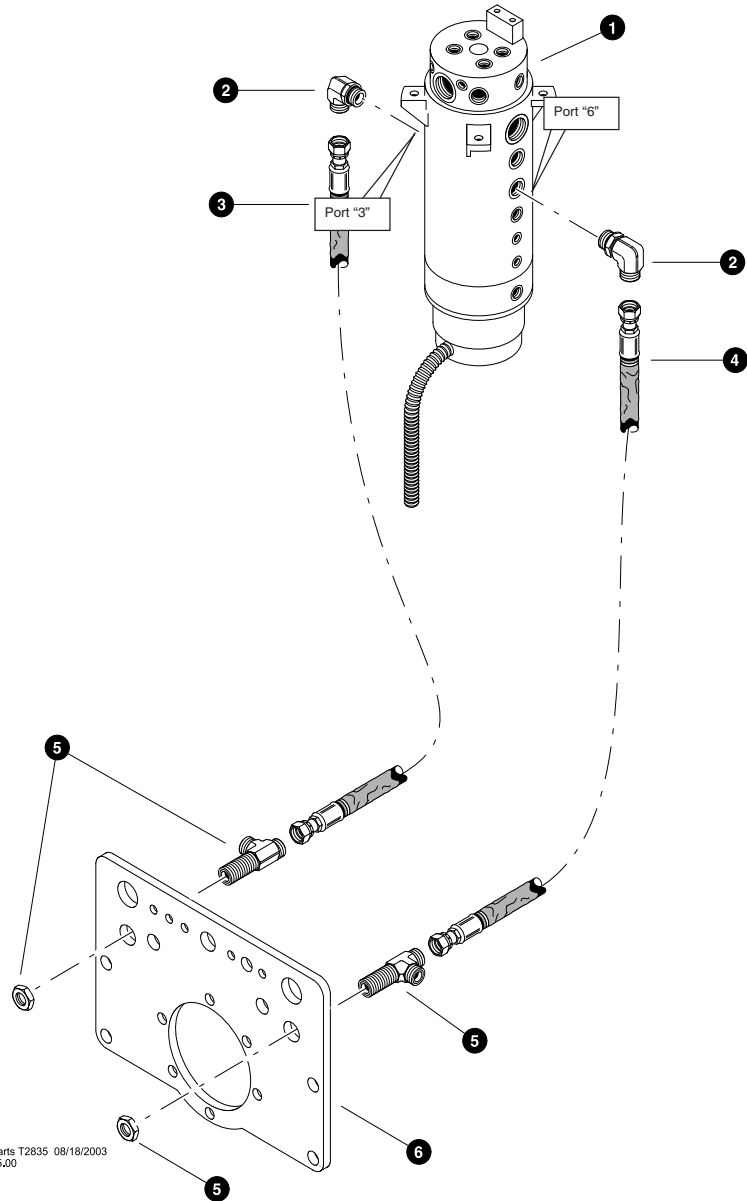


Parts T2836 08/18/2003  
25,00

**FRAME LOCK FEED LINE**  
(Rotary Manifold to Rear Frame Bulkhead Plate)

REF	PART #	QTY	DESCRIPTION	SEE SECTION
1	REF.	1	ROTARY MANIFOLD	UP-1-6
2	15372-HL	1	ELBOW, 90 - 08-12	
3	50321-HL	1	HOSE ASSEMBLY - 4086-08-080S-080S (rear frame bulkhead plate to rotary manifold port #4)	
4	20196-HL	2	CONNECTOR, STR BULKHEAD - 08	
5	40006-HL	1	BRACKET, bearing mount - (bulkhead plate 620)	

☞ See referenced page for component or assembly breakdown.

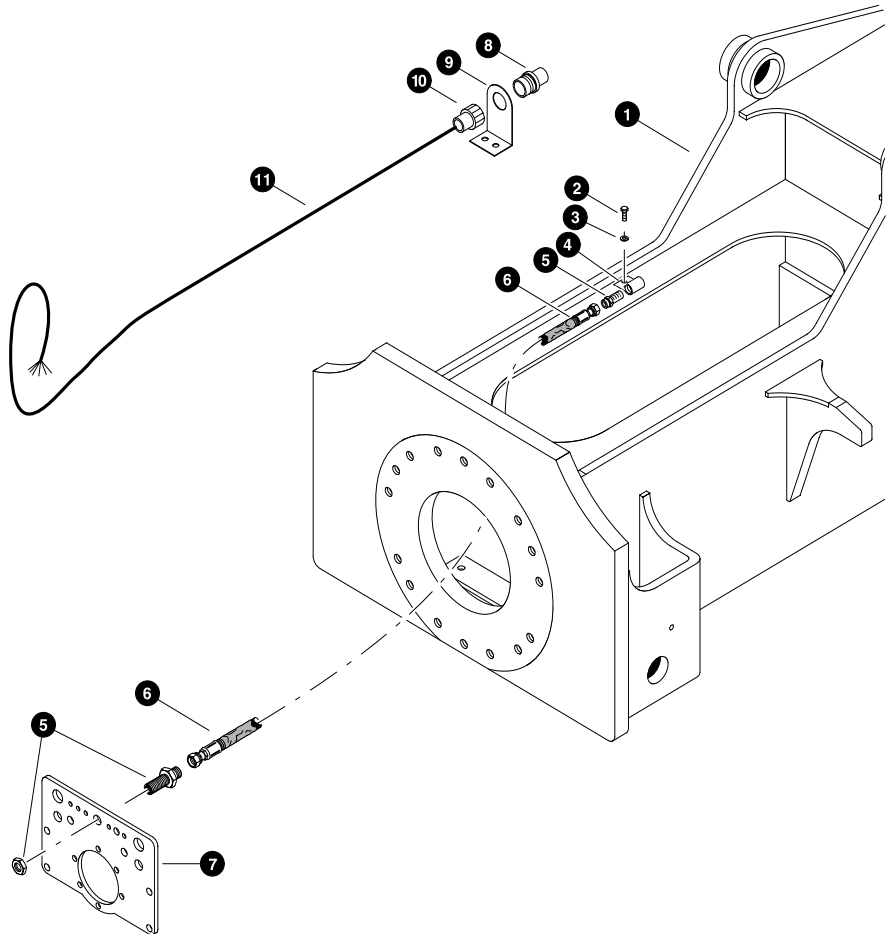


Parts T2835 08/18/2003  
25.00

**STEER LINES**  
**(Rotary Manifold to Rear Frame Bulkhead Plate)**

REF	PART #	QTY	DESCRIPTION	SEE SECTION
1	REF.	1	ROTARY MANIFOLD	UP-1-6
2	17688-HL	2	ELBOW, 90 - 849-TTO 12	
3	50329-HL	1	HOSE ASSEMBLY - 4086-12-120S-120S (rear frame bulkhead plate to rotary manifold port #3)	
4	50581-HL	1	HOSE ASSEMBLY - 4083-12-120S-120S (rear frame bulkhead plate to rotary manifold port #6)	
5	17009-HL	2	CONNECTOR, STR BULKHEAD - 12	
6	40006-HL	1	BRACKET, bearing mount - (bulkhead plate 620)	

See referenced page for component or assembly breakdown.



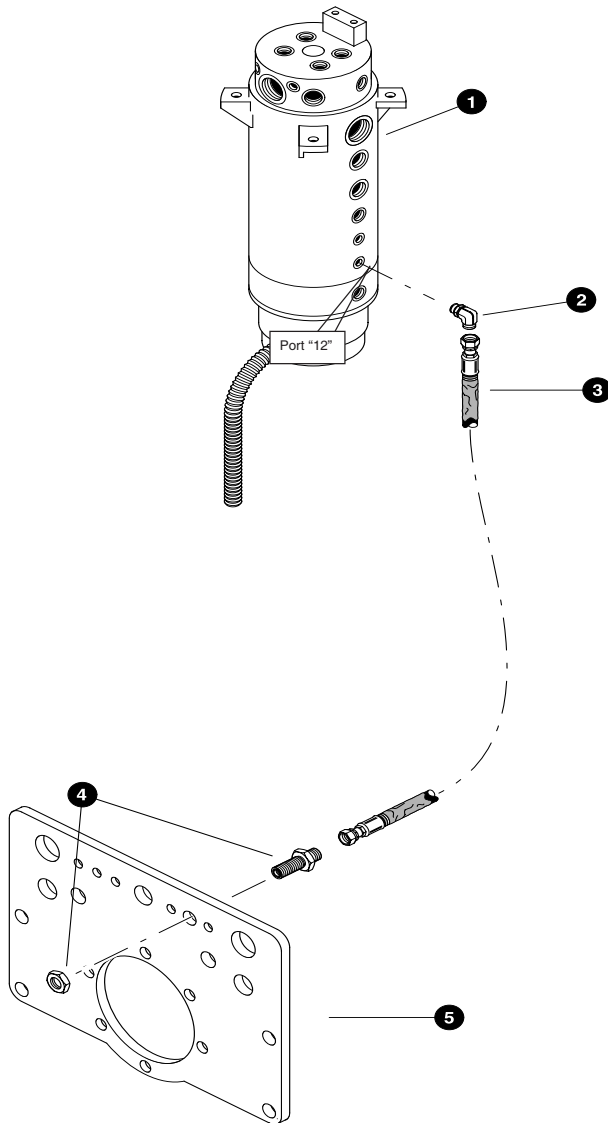
Parts T2837 08/18/2003  
25,00

**ELECTRICAL LINE**  
(Front Frame to Rear Frame Bulkhead Plate)

REF	PART #	QTY	DESCRIPTION	SEE SECTION
1	REF.	1	FRONT FRAME 620	HL-1-2
2	11707-HL	1	BOLT, 3/8 X 1"	
3	15528-HL	1	WASHER, 3/8 sae flat	
4	22202-HL	1	BRACKET, 3/4 pipe union	
5	50037-HL	1	CONNECTOR, STR - BULKHEAD - 10	
6	50328-HL	1	HOSE ASSEMBLY - 4060-10-10OS-10OS	
7	40006-HL	1	BRACKET, bearing mount - (bulkhead plate 620)	
8	51106-HL	1	CONNECTOR, (DEUTCH) 37 PIN MALE	
9	40532-HL	1	BRACKET, ELECTRICAL BULKHEAD	
10	51107-HL	1	CONNECTOR, (DEUTCH) 37 PIN FEMALE	
11	25123-HL	16	WIRE, 18ga 12 conductor	

See referenced page for component or assembly breakdown.

Item sold in bulk - per foot (please specify length)



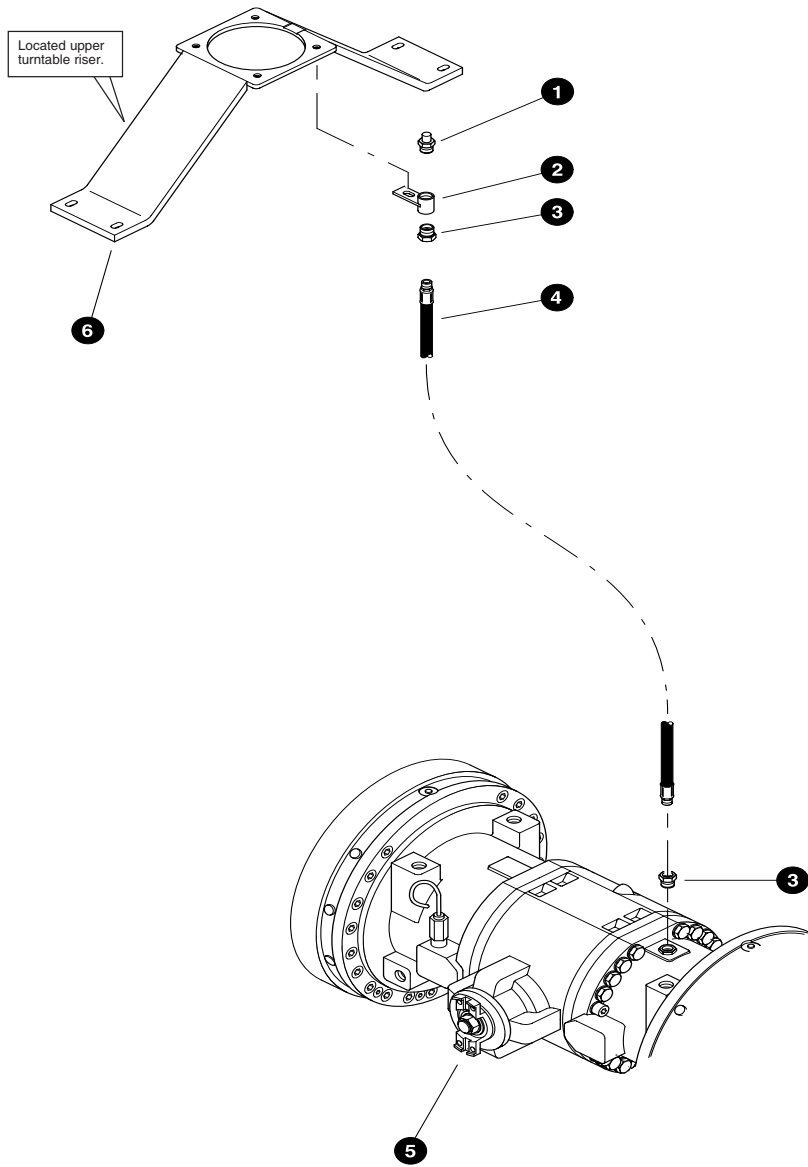
Parts T2832 08/18/2003  
18.75

**MONO BLOCK PRESSURE LINE**  
**(Rotary Manifold to Rear Frame Bulkhead Plate)**

REF	PART #	QTY	DESCRIPTION	SEE SECTION
1	REF.	1	ROTARY MANIFOLD	UP-1-6
2	15480-HL	1	ELBOW, 90 - 06	
3	50431-HL	1	HOSE ASSEMBLY - 4084-06-060S-060S (rear frame bulkhead plate to rotary manifold port #12)	
4	50420-HL	2	CONNECTOR, STR BULKHEAD - 06	
5	40006-HL	1	BRACKET, bearing mount - (bulkhead plate 620)	

See referenced page for component or assembly breakdown.

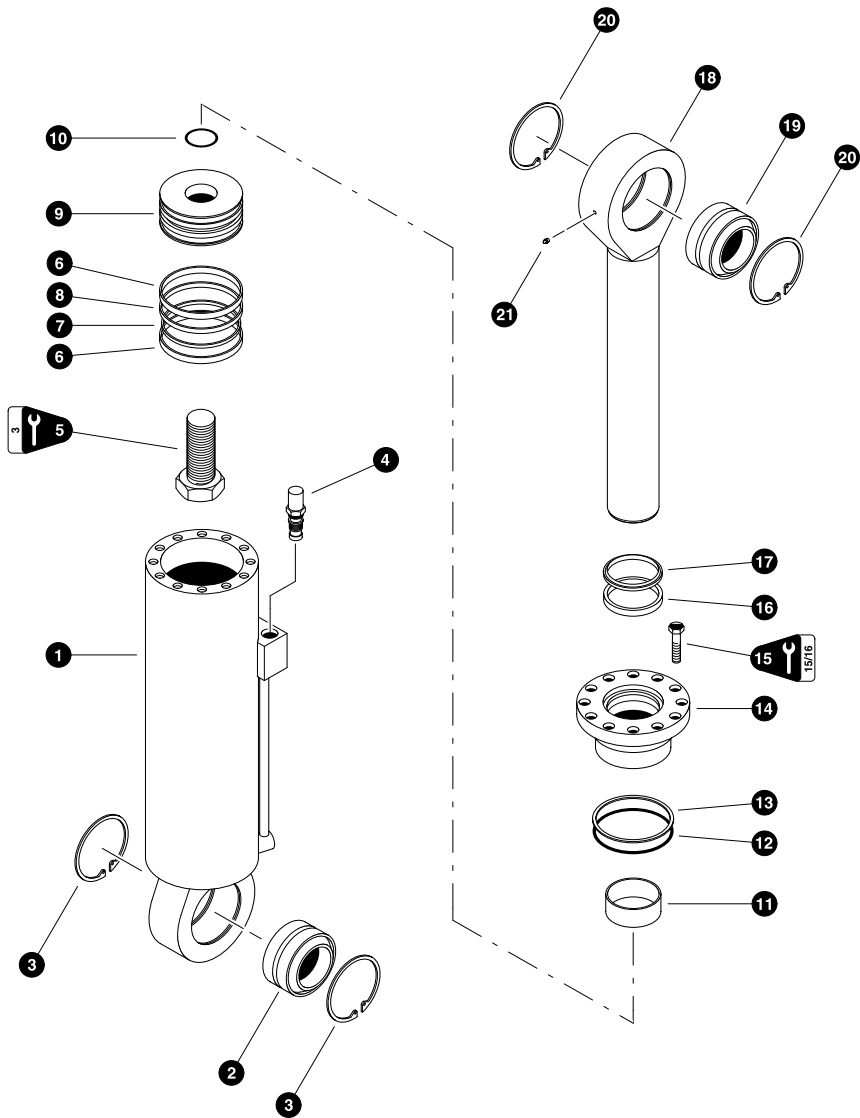




**FRONT AXLE VENT LINE**

REF	PART #	QTY	DESCRIPTION	SEE SECTION
1	22570-HL	1	VENT, axle	
2	50723-HL	1	BRACKET, vent mount - 8	
3	11312-HL	1	BUSHING, PIPE 4 - 8	
4	50571-HL	1	HOSE ASSEMBLY - 2032-08-04MP-04MP (Axle vent port to vent mounting bracket)	
5	REF.	1	FRONT AXLE	AX-1-2
6	REF.	1	ROTARY MANIFOLD MOUNTING BRACKET	UP-1-2

See referenced page for component or assembly breakdown.

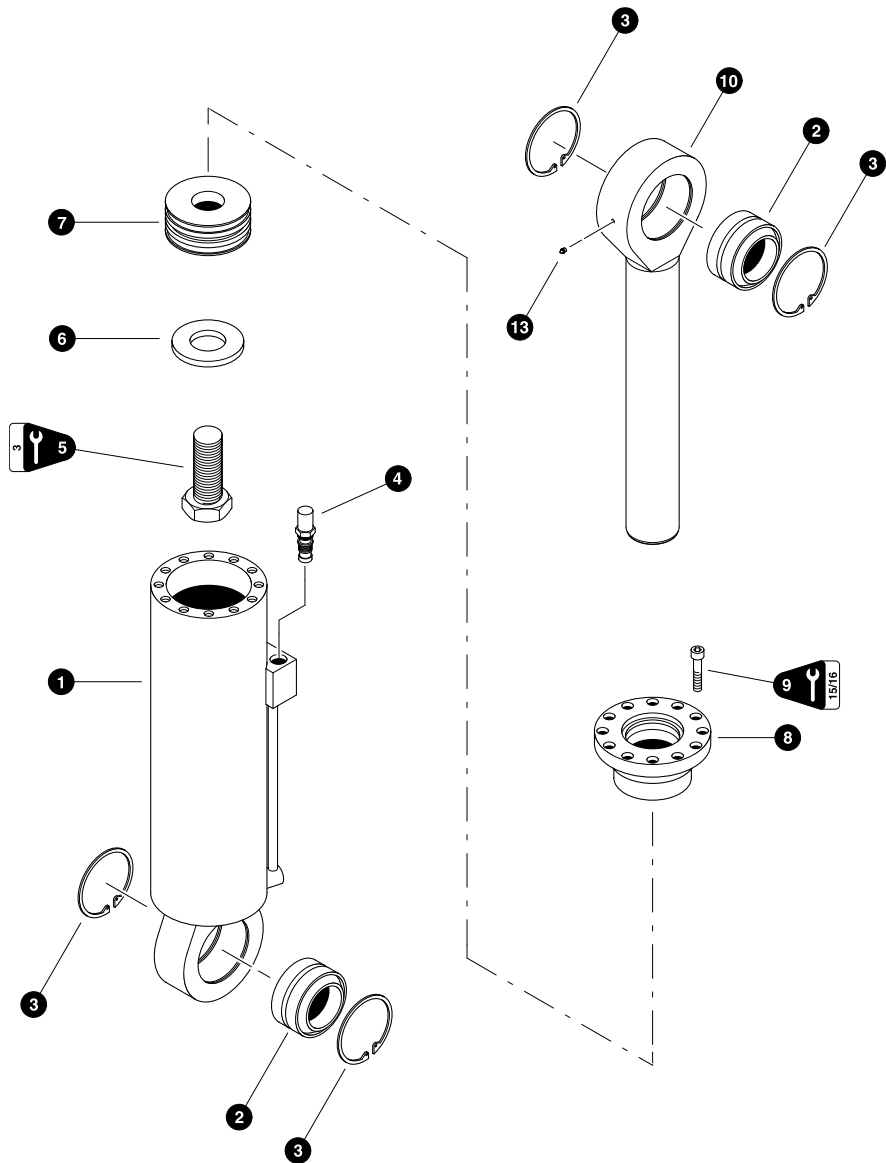


### LEVELING CYLINDER

(Machines Built before 10/24/02)

REF	PART #	QTY	DESCRIPTION	SEE SECTION
-	22547-BF	1	<input type="checkbox"/> LEVEL CYLINDER ASSEMBLY	
1	23482-BF	1	<input type="checkbox"/> BARREL ASSEMBLY	
2	12127-BF	1	BUSHING, spherical - 3"	
3	17833-BF	2	Ring, snap - 3" spherical bushing	
4	23216-BF	2	CARTRIDGE, holding	
5	19956-BF	1	BOLT, cylinder rod - 2" x 4-1/4" (2700 +/- 200 ft lbs (3600 +/- 265 Nm))	
6	NSS	2	⌘ RING, piston wear	
7	NSS	1	⌘ RING, piston square	
8	NSS	1	⌘ RING, piston chem-cast	
9	23483-BF	1	PISTON	
10	NSS	1	⌘ O-RING, piston	
11	NSS	1	⌘ RING, rod bearing wear	
12	NSS	1	⌘ O-RING, rod bearing	
13	NSS	1	⌘ RING, rod bearing back-up	
14	19954	1	⌘ BEARING, rod	
15	15681-BF	12	BOLT - 5/8" x 2-1/4" (175 ft lbs (233Nm))	
16	NSS	1	⌘ U-CUP, rod bearing	
17	NSS	1	⌘ WIPER, rod	
18	23485-BF	1	<input type="checkbox"/> ROD ASSEMBLY	
19	12127-BF	1	BUSHING, spherical - 3"	
20	17833-BF	2	Ring, snap - 3" spherical bushing	
21	10704-BF	1	FITTING, grease	
-	23486-BF	1	KIT, seal repair - level cylinder	

- Kit or Assembly - includes all items indented underneath.
- ⌘ Included in seal repair kit Part #23486-BF



Parts T2797 08/07/2003  
18,75

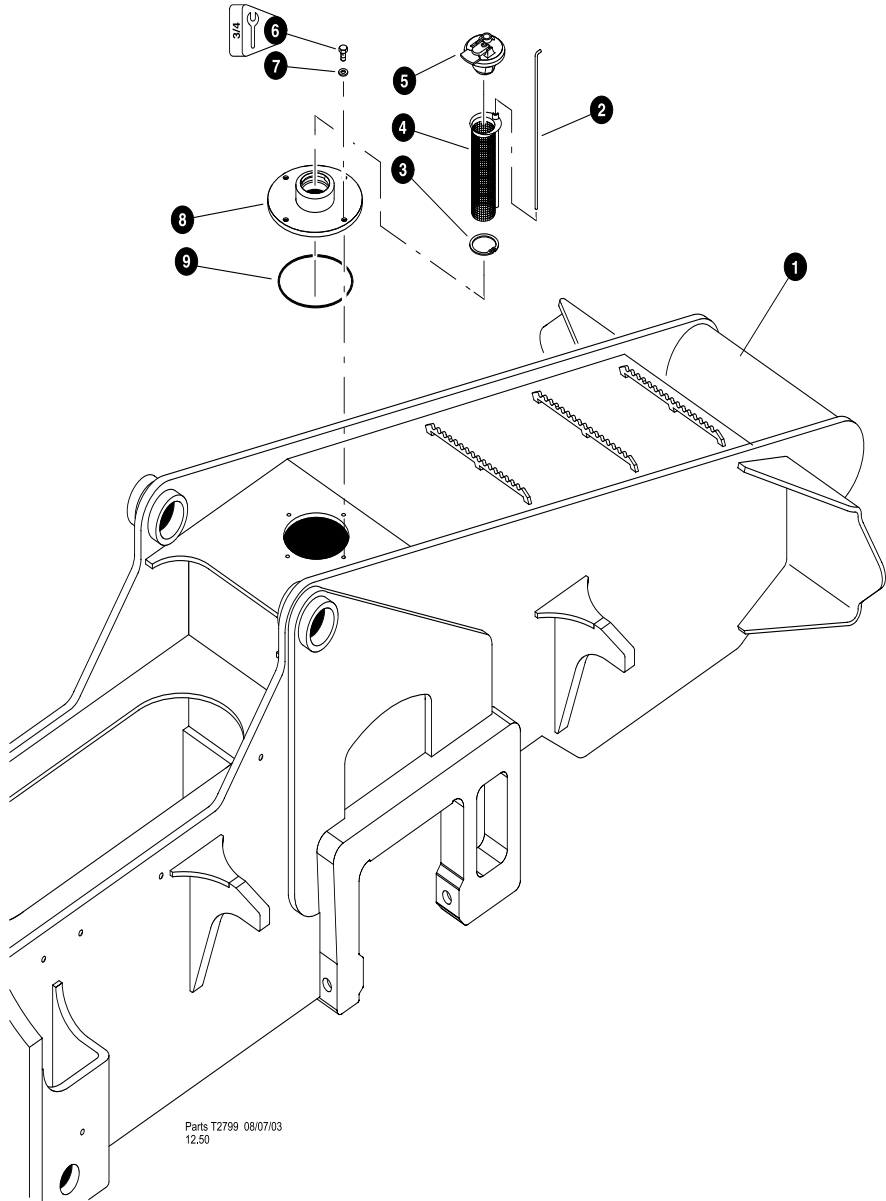
**LEVELING CYLINDER  
(RAM ROD)**

(Machines Built after 10/24/02)

REF	PART #	QTY	DESCRIPTION	SEE SECTION
-	50006-BF	2	<input type="checkbox"/> CYLINDER, LEVELING - Ram Rod	
1	50254-BF	1	<input type="checkbox"/> BARREL, ASSY - LEVEL	
2	12127-BF	1	BUSHING, spherical - 3"	
3	17833-BF	4	RING, snap 3"	
4	23216-BF	2	CARTRIDGE, holding	
5	- - -	1	BOLT, 2.00 - 12UNF X 4.5 (711097) (Torque to 2220 ft-lbs.)	
6	- - -	1	WASHER, 2" (718048)	
7	50256-BF	1	PISTON, ASSY	
-	NSS	1	<input type="checkbox"/> SEAL KIT, PISTON	
8	50257-BF	1	ROD BEARING	
-	NSS	1	<input type="checkbox"/> SEAL KIT, ROD BEARING	
9	- - -	14	BOLT, ALLEN 1/2-13UNC X 2" (711080) (Torque to 45 ft-lbs.)	
10	50255-BF	1	<input type="checkbox"/> ROD, ASSY.	
2	12127-BF	1	BUSHING, spherical - 3"	
3	17833-BF	4	RING, snap 3"	
11	10704-BF	1	FITTING, GREASE	
-	50258-BF	1	SEAL REPAIR KIT, LEVELING CYLINDER	

- Assembly includes all items indented underneath.
- Included in seal repair kit #50258



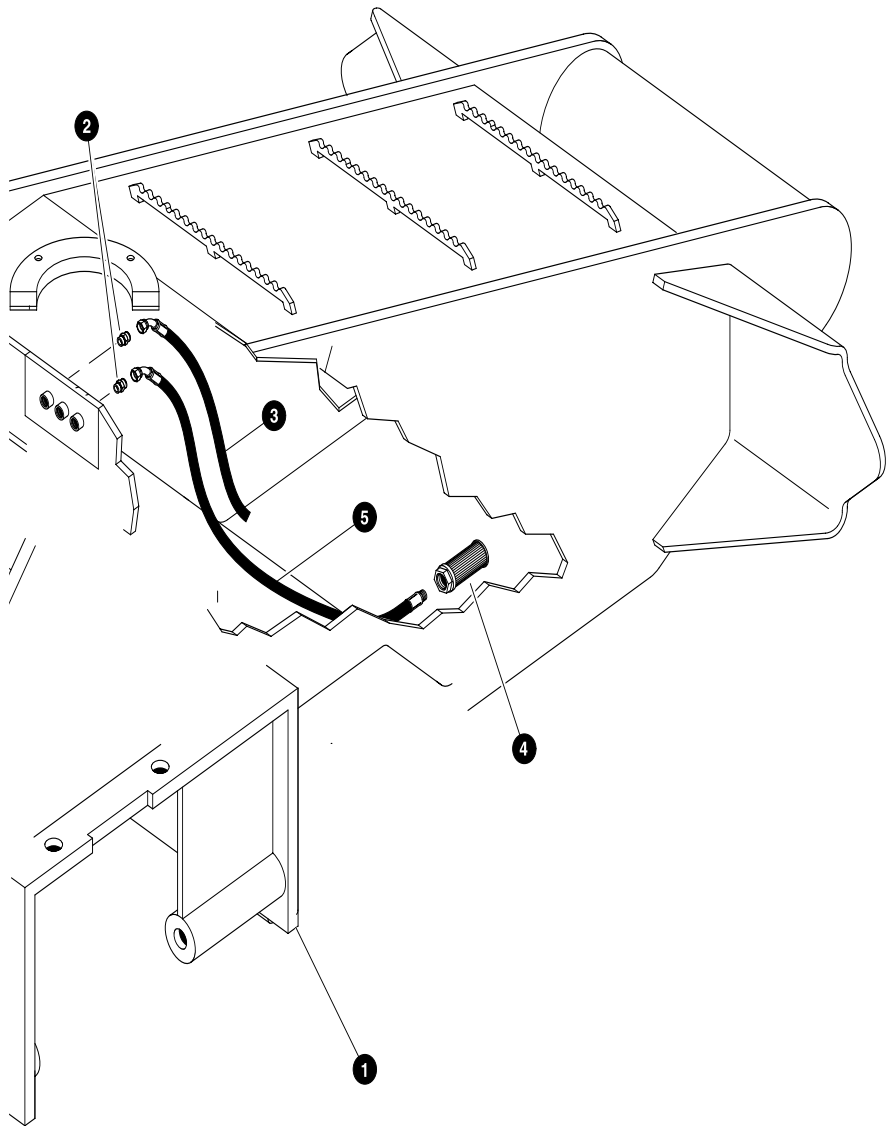


Parts T2799 08/07/03  
12.50

### FUEL FILL STRAINER INSTALLATION

REF	PART #	QTY	DESCRIPTION	SEE SECTION
1	REF.	1	FRONT FRAME WELDMENT .....	HL-1
2	17492-HL	1	DIPSTICK, fuel level	
3	17115-HL	1	RING, snap - fuel strainer retainer	
4	17114-HL	1	STRAINER, fuel	
5	16585-HL	1	CAP, fuel	
6	10783-HL	4	BOLT - 1/2" x 1"	
7	15534-HL	4	WASHER, SAE flat - 1/2"	
8	14079-HL	1	COVER, fuel tank	
9	15600-HL	1	O-RING - 8"	

See referenced page for component or assembly breakdown.

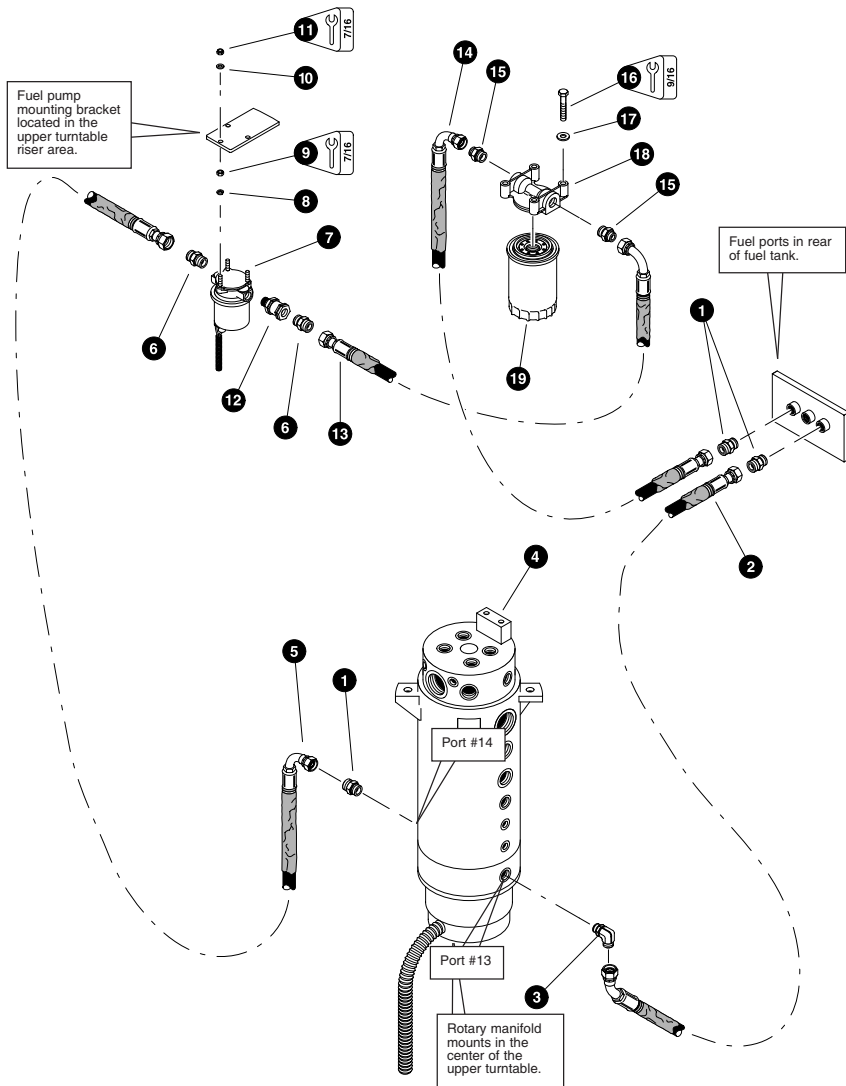


Parts T2798 08/05/03  
18.75

**FUEL LINES**  
(Supply & Return Lines Inside Fuel Tank)

REF	PART #	QTY	DESCRIPTION	SEE SECTION
1	REF.	1	FRONT FRAME WELDMENT .....	HL-1
2	15117-HL	2	CONNECTOR, straight - FF1852T-0808S	
3	50576-HL	1	HOSE ASSEMBLY - 2018-08-0804 (Fuel return)	
4	17271-HL	1	FILTER, screen	
5	50577-HL	1	HOSE ASSEMBLY - 2067-08-0804-08MP (Fuel supply)	

See referenced page for component or assembly breakdown.

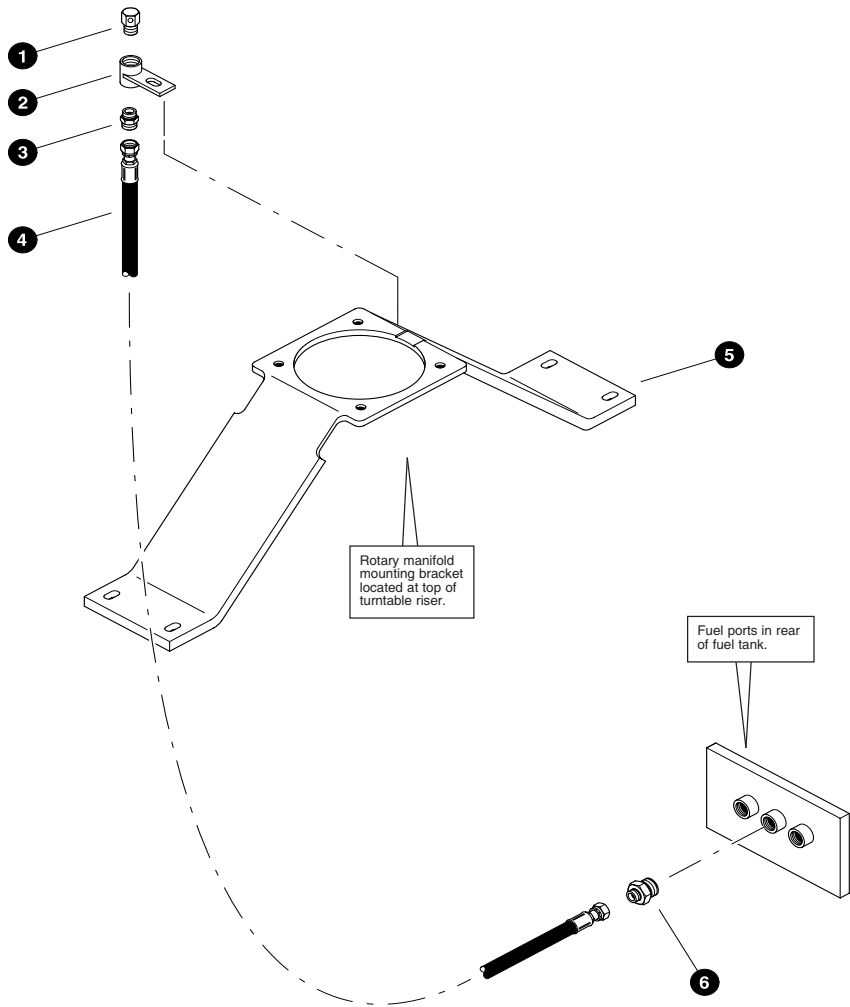


Parts 01896 11/13/2001  
18,75

**FUEL LINES**  
(Supply & Return Lines From Fuel Tank To Rotary Manifold)

REF	PART #	QTY	DESCRIPTION	SEE SECTION
1	15117-HL	3	CONNECTOR, straight - FF1852T-0808S	
2	50579-HL	1	HOSE ASSEMBLY - 4043-08-080S-080S (Fuel return from lower rotary manifold port #13 to fuel tank return port)	
3	16360-HL	1	ELBOW, 90° - FF1868T-0808S	
4	REF.	1	ROTARY MANIFOLD	UP-1
5	50578-HL	1	HOSE ASSEMBLY - 4032-08-080S-0804 (Fuel supply from fuel pump outlet port to lower rotary manifold port #14)	
6	22902-HL	2	CONNECTOR, STR - 848-TT-08x06	
7	23358-FF	1	PUMP, fuel - 24 volt	
7	21966-FF	1	PUMP, fuel - 12 volt (used after 02/01/04)	
8	10756-HL	3	WASHER, lock - 1/4"	
9	10755-HL	3	NUT, hex - 1/4"	
10	10757-HL	3	WASHER, SAE flat - 1/4"	
11	15509-HL	3	NUT, nylock - 1/4"	
12	15652-HL	1	VALVE, check	
13	50580-HL	1	HOSE ASSEMBLY - 4036-08-080S-0809 (Fuel filter outlet port to fuel pump inlet port)	
14	50325-HL	1	HOSE ASSEMBLY - 4031-08-080S-0809 (Fuel tank supply port to fuel filter inlet port)	
15	15115-HL	3	CONNECTOR, straight - FF1852T-0810S	
16	23265-HL	2	BOLT - 3/8" x 2-1/4"	
17	15528-HL	2	WASHER, SAE flat - 3/8"	
18	16574-HL	1	MOUNT, filter head	
19	16575-HL	1	FILTER, spin-on fuel	

See referenced page for component or assembly breakdown.



**FUEL LINES  
(Fuel Tank Vent)**

REF	PART #	QTY	DESCRIPTION	SEE SECTION
1	22906-HL	1	BREATHER, fuel vent	
2	23393-HL	1	BRACKET, fuel tank vent	
3	15131-HL	1	CONNECTOR, straight - FF2031T-0404S	
4	50310-HL	1	HOSE ASSEMBLY - 2034-04-040S-040S (Fuel tank vent port to fuel vent breather)	
5	REF.	1	ROTARY MANIFOLD MOUNTING BRACKET	UP-1
6	15504-HL	1	CONNECTOR, straight - FF2031T-0408S	

See referenced page for component or assembly breakdown.



