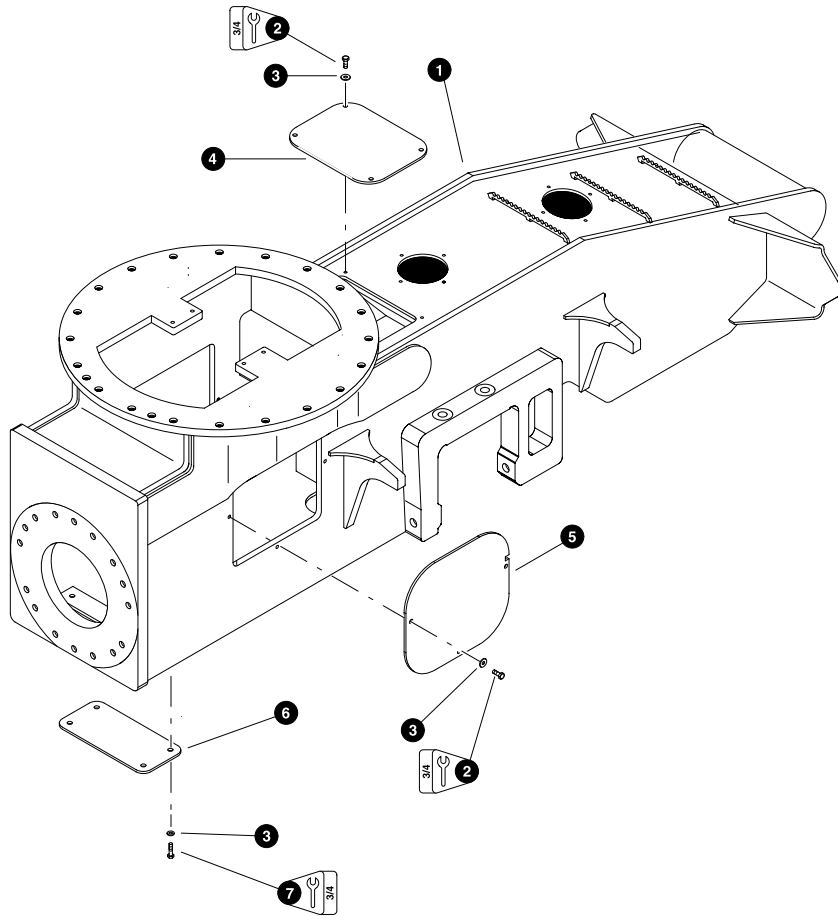


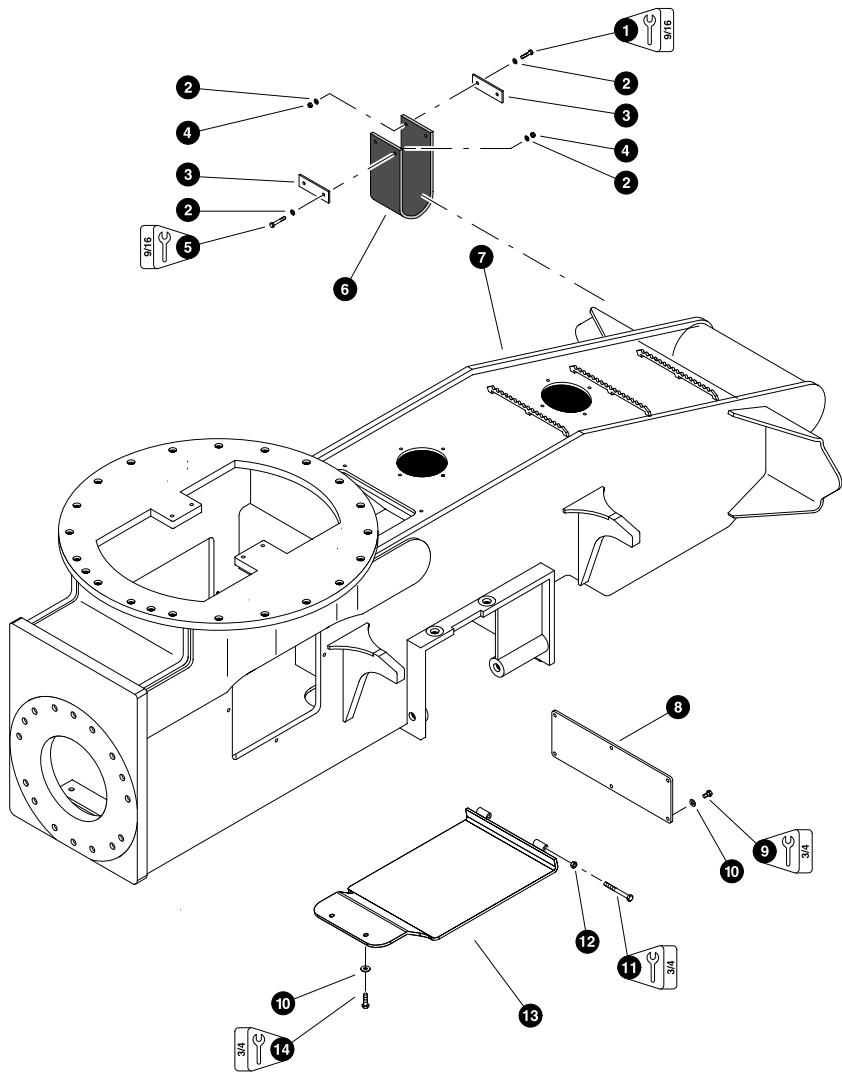
Section HN-1

620 Non-Leveling Front Frame - Covers / Articulation Assembly



**FRAME ACCESS COVERS
(General)**

REF	PART #	QTY	DESCRIPTION	SEE SECTION
1	40640-HN	1	FRONT FRAME WELDMENT	
2	10783-HN	10	BOLT - 1/2" x 1"	
3	15534-HN	14	WASHER, SAE flat - 1/2"	
4	40672-HN	1	COVER, access (non level top cover)	
5	40664-HN	2	COVER, access (non level side cover)	
6	85340-HN	1	COVER, access ((620 front frame bottom rear cover)not used after 12/01/03)	
7	10739-HN	4	BOLT - 1/2" x 1-1/2"	

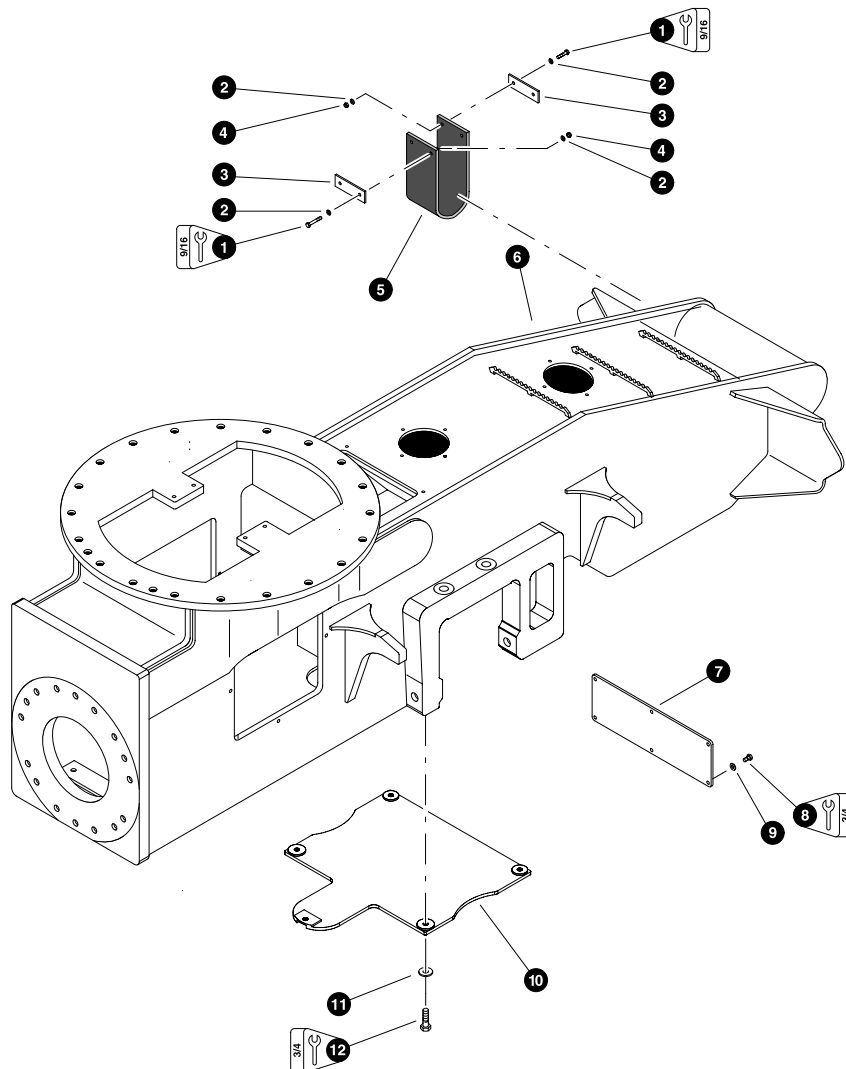


Parts T2841 08/20/03
9,375

FRAME ACCESS COVERS
(Machines built before 12/01/03)

REF	PART #	QTY	DESCRIPTION	SEE SECTION
1	20084-HN	3	BOLT - 3/8" x 1-3/4"	
2	15528-HN	8	WASHER, SAE flat - 3/8"	
3	20209-HN	2	RETAINER, rubber step	
4	10813-HN	8	NUT, lock - 3/8"	
5	10731-HN	1	BOLT - 3/8" x 1-1/2"	
6	20210-HN	1	STEP, rubber	
7	REF.	1	FRONT FRAME WELDMENT	HN-1
8	80316-HN	1	COVER, access - axle box	
9	10783-HN	6	BOLT - 1/2" x 1"	
10	15534-HN	8	WASHER, SAE flat - 1/2"	
11	10835-HN	2	BOLT - 1/2" x 4-1/2"	
12	10815-HN	2	NUT, lock - 1/2"	
13	40780-HN	1	COVER, access - front frame axle	
14	10739-HN	2	BOLT - 1/2" x 1-1/2"	

See referenced page for component or assembly breakdown.

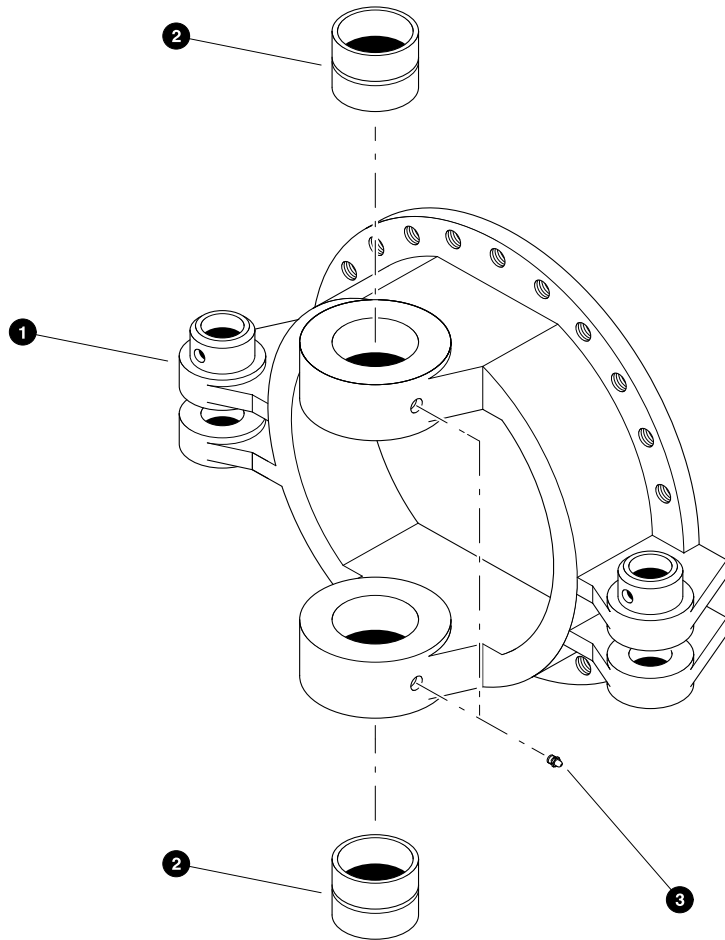


Parts T2970 03/15/04
9.375

FRAME ACCESS COVERS
(Machines built after 12/01/03)

REF	PART #	QTY	DESCRIPTION	SEE SECTION
1	20084-HN	3	BOLT - 3/8" x 1-3/4"	
2	15528-HN	8	WASHER, SAE flat - 3/8"	
3	20209-HN	2	RETAINER, rubber step	
4	10813-HN	8	NUT, lock - 3/8"	
5	20210-HN	1	STEP, rubber	
6	REF.	1	FRONT FRAME WELDMENT	HN-1
7	40972-HN	1	COVER, access - axle box	
8	10783-HN	6	BOLT - 1/2" x 1"	
9	15534-HN	8	WASHER, SAE flat - 1/2"	
10	40954-HN	1	COVER, access - front frame axle bottom	
11	15550-HN	2	WASHER, SAE flat - 3/4"	
12	15549-HN	2	BOLT - 3/4" x 1 1/2"	

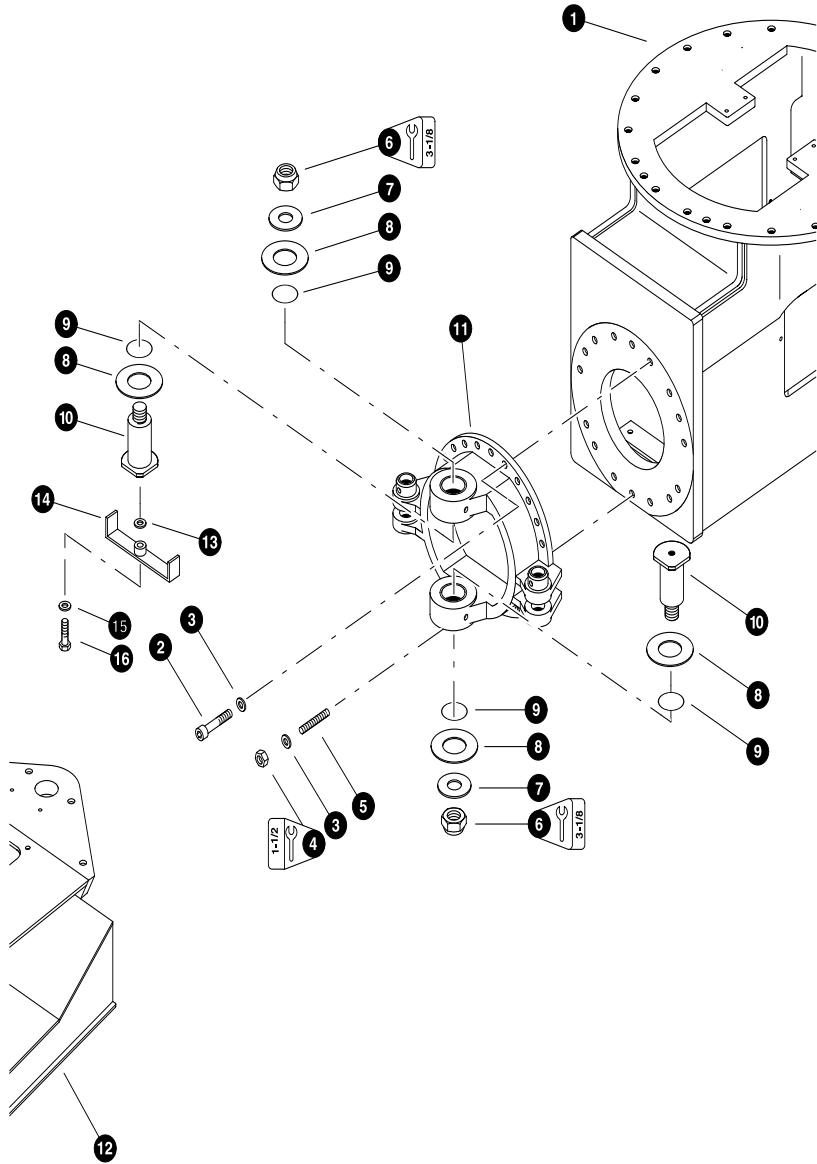
See referenced page for component or assembly breakdown.



ARTICULATION CASTING

REF	PART #	QTY	DESCRIPTION	SEE SECTION
1	23099-HN	1	<input type="checkbox"/> CASTING, frame articulation (please specify machine model on order)	
2	23103-HN	2	BUSHING - 3-1/2" x 2-3/4"	
3	10704-HN	2	FITTING, grease - 1/8" pipe thread	

Kit or Assembly - includes all items indented underneath.



Parts T2842 08/18/2003
9.375

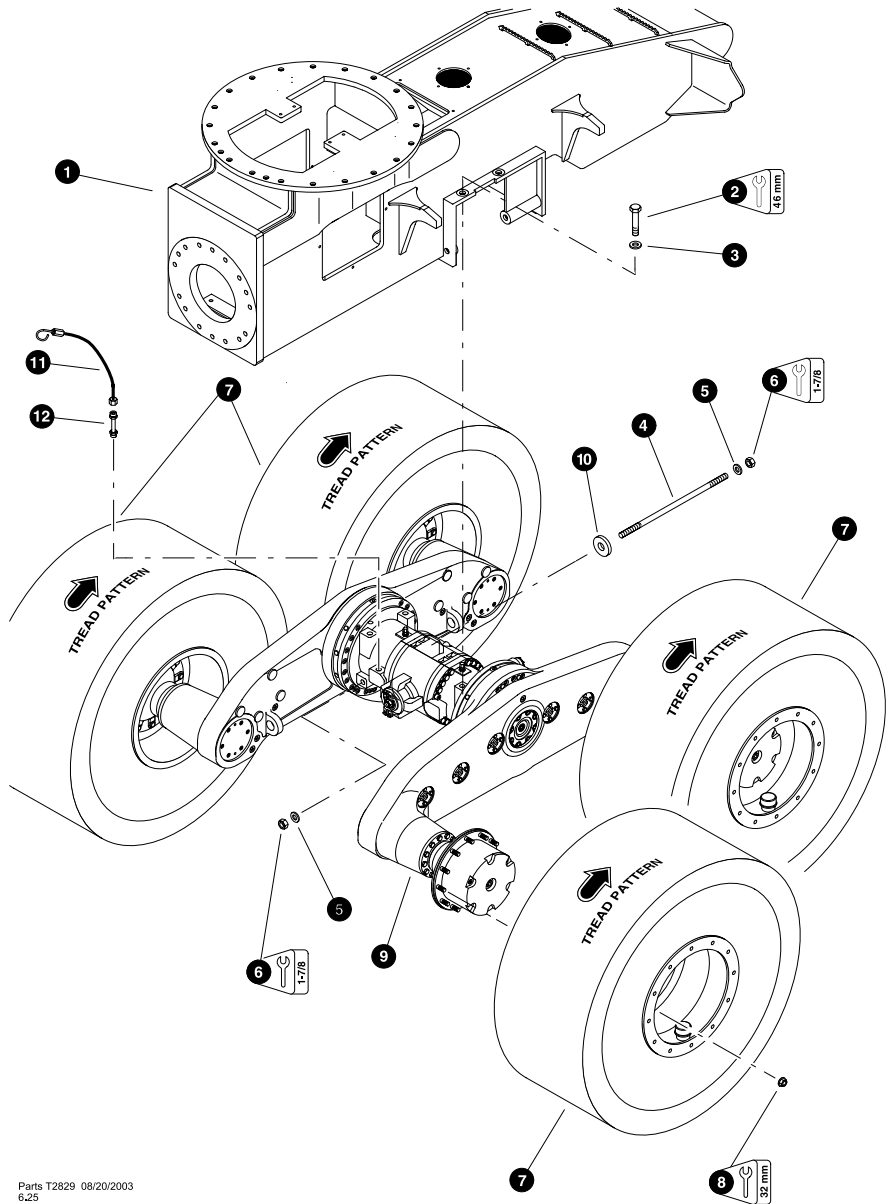
ARTICULATION ASSEMBLY

REF	PART #	QTY	DESCRIPTION	SEE SECTION
1	REF.	1	FRONT FRAME WELDMENT	HN-1
2	50410-HN	14	BOLT, ALLEN - 1" x 5" (Torque to 1000 ft.lbs (1330 Nm) (see note #1)	
3	18532-HN	16	WASHER, SAE flat (THICK) - 1"	
4	19073-HN	2	NUT, 1" (Torque to 1000 ft.lbs (1330 Nm)	
5	50587-HN	2	STUD, 1" (see note #1)	
6	10728-HN	2	NUT, nylock - 2"	
7	51499-HN	2	WASHER, articulation pin (3/8")	
8	23106-HN	AR	WASHER, thrust - thin (Brass)	
	23105-HN	AR	WASHER, thrust - thick (Brass)	
9	21577-HN	AR	O-RING - thin	
	24546-HN	AR	O-RING - thick	
10	23102-HN	2	PIN, articulation - 3-1/2" x 8-5/8"	
11	REF.	1	FRAME ARTICULATION CASTING	HN-2
12	REF.	1	REAR FRAME WELDMENT	HR-1
13	50464-HL	1	WASHER, SAE flat (THICK) - 3/4"	
14	40830-HL	1	BRACKET, articulation joint hose	
15	15550-HL	1	WASHER, SAE flat 3/4"	
16	10840-HL	1	BOLT - 3/4 X 3"	

See referenced page for component or assembly breakdown.

NOTE #1

Use anti-seize lubricant on threads before assembly.

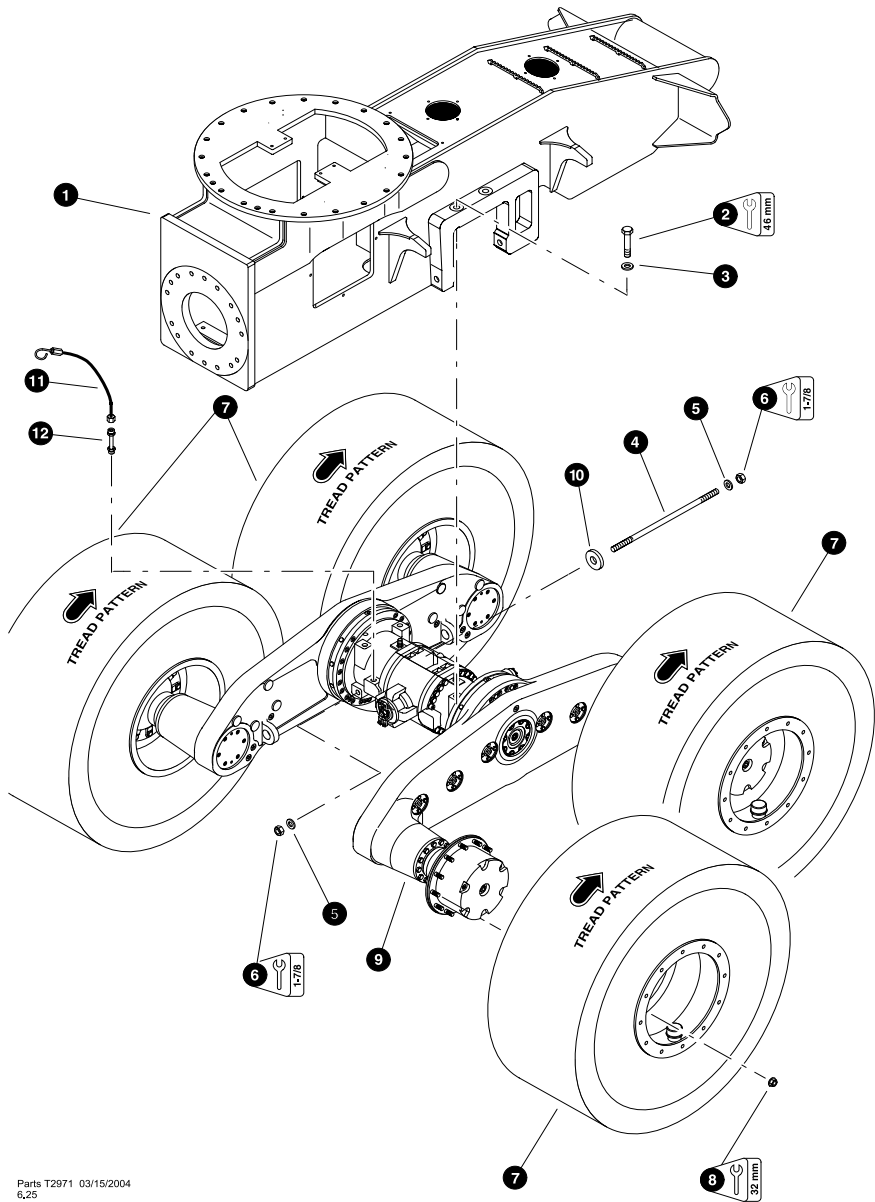


Parts T2829 08/20/2003
6.25

**FRONT AXLE INSTALLATION
(machines built before 12/01/03)**

REF	PART #	QTY	DESCRIPTION	SEE SECTION
1	REF.	1	FRONT FRAME WELDMENT	HN-1-2
2	23566-HN	4	BOLT - 30mm-3.5P x 160mm (Torque to 1100 ft.lbs. (1465 Nm))	
3	23568-HN	4	WASHER, hardened flat - 30mm	
4	23851-HN	2	STUD, axle spreader box - 1-1/4" (Torque to 1200 ft.lbs. (1600 Nm))	
5	23990-HN	4	WASHER, SAE flat - 1-1/4" (Extra thick)	
6	23989-HN	4	NUT, lock - 1-1/4"	
7	REF.	4	WHEEL ASSEMBLY	AX-3-2
8	19361-HN	48	NUT, lug (Torque to 600 ft.lbs. (800 Nm))	
9	REF.	1	FRONT AXLE	AX-1-2
10	24003-HN	2	SPACER, axle spreader stud	
11	21165-HN	1	TUBE, dipstick (top)	
-	21561-HN	1	BLADE, dipstick	
12	21164-HN	1	TUBE, dipstick (bottom)	

See referenced page for component or assembly breakdown.

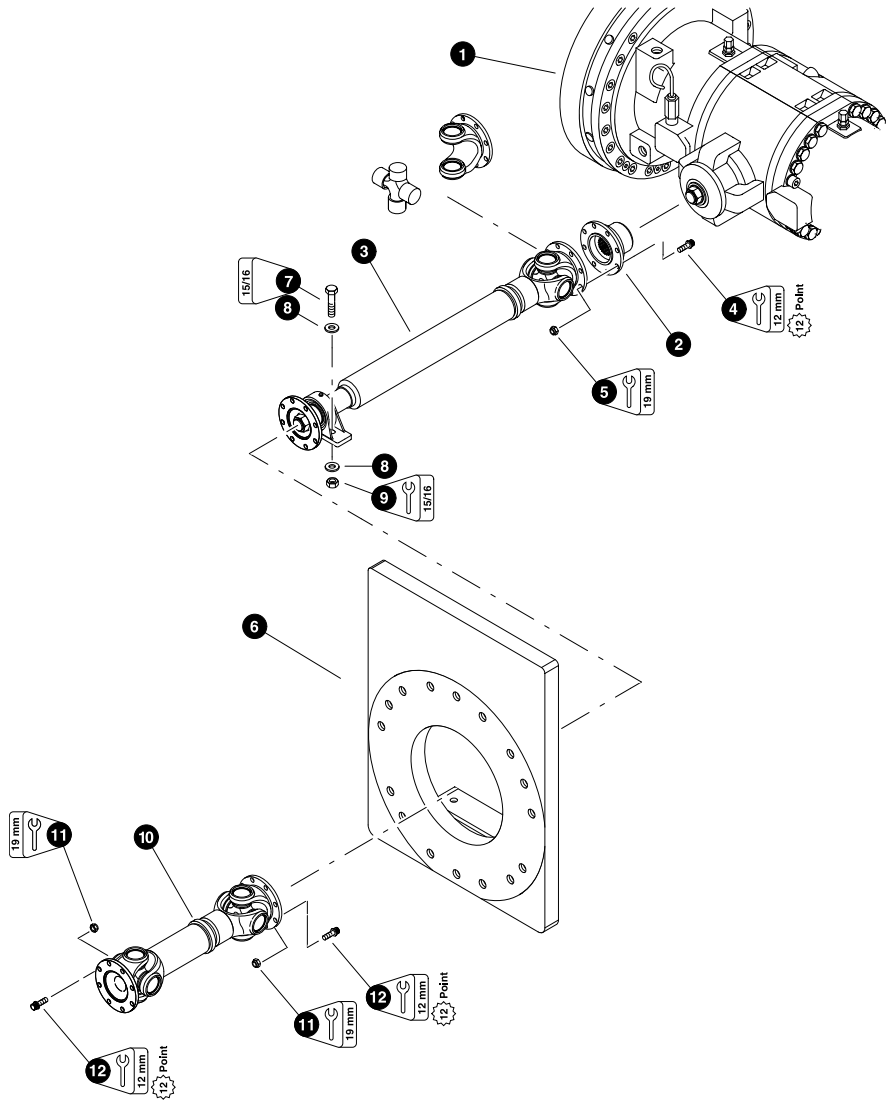


Parts T2971 03/15/2004
6,25

**FRONT AXLE INSTALLATION
(Machines built after 12/01/03)**

REF	PART #	QTY	DESCRIPTION	SEE SECTION
1	REF.	1	FRONT FRAME WELDMENT	HN-1-2
2	23567-HN	4	BOLT - 30mm-3.5P x 220mm (Torque to 1100 ft.lbs. (1465 Nm))	
3	23568-HN	4	WASHER, hardened flat - 30mm	
4	23851-HN	2	STUD, axle spreader box - 1-1/4" (Torque to 1200 ft.lbs. (1600 Nm))	
5	22531-HN	4	WASHER, SAE flat - 1-1/4"	
6	23989-HN	4	NUT, lock - 1-1/4"	
7	REF.	4	WHEEL ASSEMBLY	AX-3-2
8	19361-HN	48	NUT, lug (Torque to 600 ft.lbs. (800 Nm))	
9	REF.	1	FRONT AXLE	AX-1-2
10	24003-HN	2	SPACER, axle spreader stud	
11	21165-HN	1	TUBE, dipstick (top)	
-	21561-HN	1	BLADE, dipstick	
12	21164-HN	1	TUBE, dipstick (bottom)	

See referenced page for component or assembly breakdown.



Parts T2843 08/20/2003
12,50

DRIVE SHAFT INSTALLATION

REF	PART #	QTY	DESCRIPTION	SEE SECTION
1	REF.	1	FRONT AXLE	AX-1-2
2	23997-HN	1	YOKE, companion flange - axle (Torque to 590 ft lbs. (800 Nm) (See Note #2 Below)	
3	---	1	DRIVE SHAFT, heavy duty (Center joint to front axle) (467889-61)	
	---	2	FITTING, 90° grease - 10mm	
	50466-HN	1	KIT, CROSS & BEARING	
	50467-HN	1	YOKE, FLANGE	
4	50261-HN	8	BOLT, 12 point - 12mm-1.75P x 35mm (See Note #1 Below)	
5	50262-HN	8	NUT, lock - 12mm	
6	REF.	1	FRONT FRAME WELDMENT	HN-1-2
7	10720-HN	6	BOLT, - 5/8" x 3" (See Note #1 Below) (Torque to 130 ft.lbs. (175 Nm))	
8	23210-HN	4	WASHER, SAE flat 5/8" (extra thick)	
9	10816-HN	2	NUT, lock - 5/8"	
10	25968-HN	1	DRIVE SHAFT (Center joint)	
	---	2	FITTING, 90° grease - 10mm	
	50466-HN	2	KIT, CROSS & BEARING	
	50467-HN	2	YOKE, FLANGE	
11	50261-HN	16	BOLT, 12 point - 12mm-1.75P x 35mm (See Note #1 Below)	
12	50262-HN	16	NUT, lock - 12mm	

- ☞ See referenced page for component or assembly breakdown.
- ☐ Kit or Assembly - includes all items indented underneath.

Note #1:

Use Loctite 242 (blue) during installation.

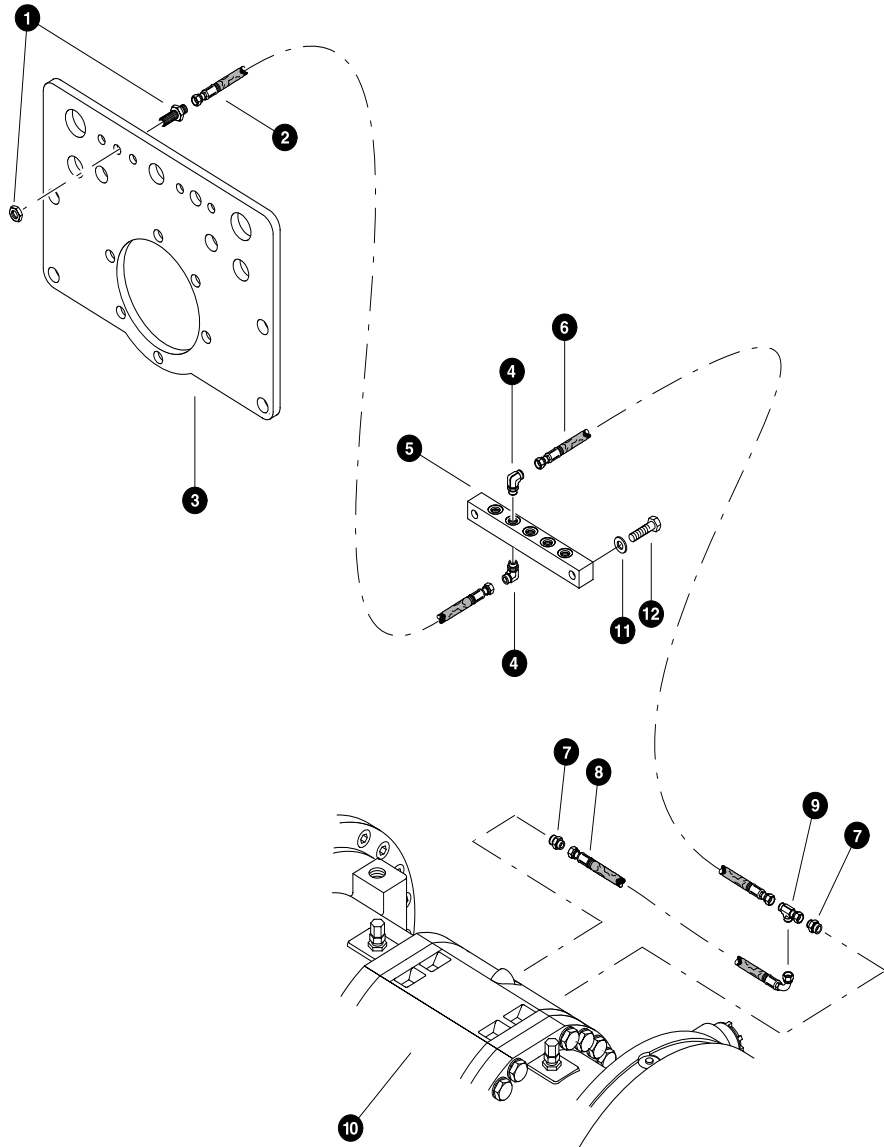
Note #2:

Use Loctite 271 (red) on threads during installation.

THIS PAGE LEFT BLANK FOR NOTES

Section HN-3

Non-Leveling Front Frame - Hydraulics

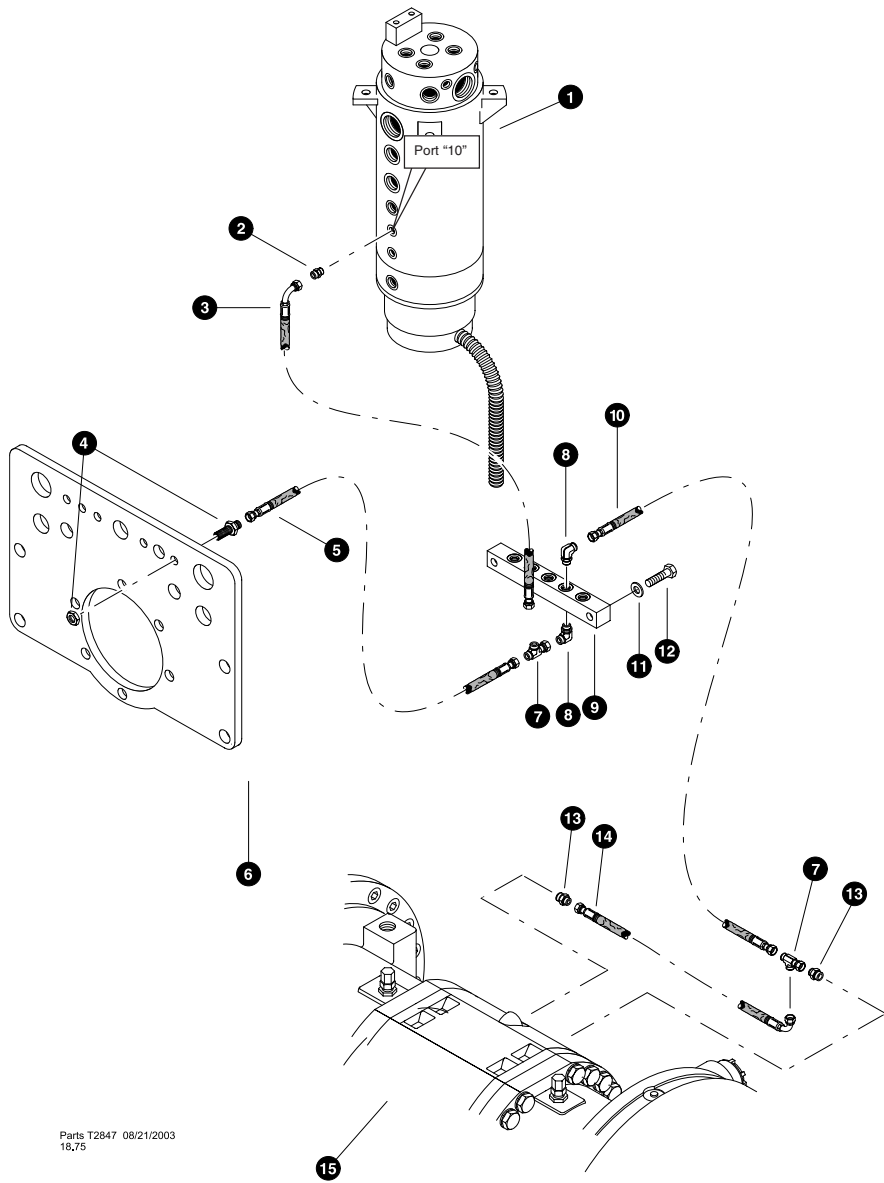


Parts T2846 08/21/2003
25.00

FRONT AXLE PARKING BRAKE LINES
(From Rear Frame Bulkhead Plate to Front Axel)

REF	PART #	QTY	DESCRIPTION	SEE SECTION
1	18582-HN	1	CONNECTOR, straight bulkhead - 04	
2	50968-HN	1	HOSE ASSEMBLY - 2072-04-040S-040S (Junction manifold to rear frame bulkhead plate)	
3	40006-HN	1	BRACKET, bearing mount 620	
4	15124-HN	2	CONNECTOR, straight - FF1852T-0404S	
5	22287-HN	1	MANIFOLD, GAUGE	
6	50970-HN	1	HOSE ASSEMBLY - 2053-04-040S-040S (Junction manifold to front axle parking brake tee)	
7	19470-HN	2	CONNECTOR, straight - 4M14F8OMLO-S	
8	50607-HN	1	HOSE ASSEMBLY - 2009.5-04-040S-0409	
9	15176-HN	2	TEE - FF2114T-0404S	
10	REF.	1	FRONT AXLE	AX-1
11	10731-HN	2	BOLT, 3/8 x 1 1/2	
12	15528-HN	2	WASHER, 3/8 SAE FLAT	

See referenced page for component or assembly breakdown.

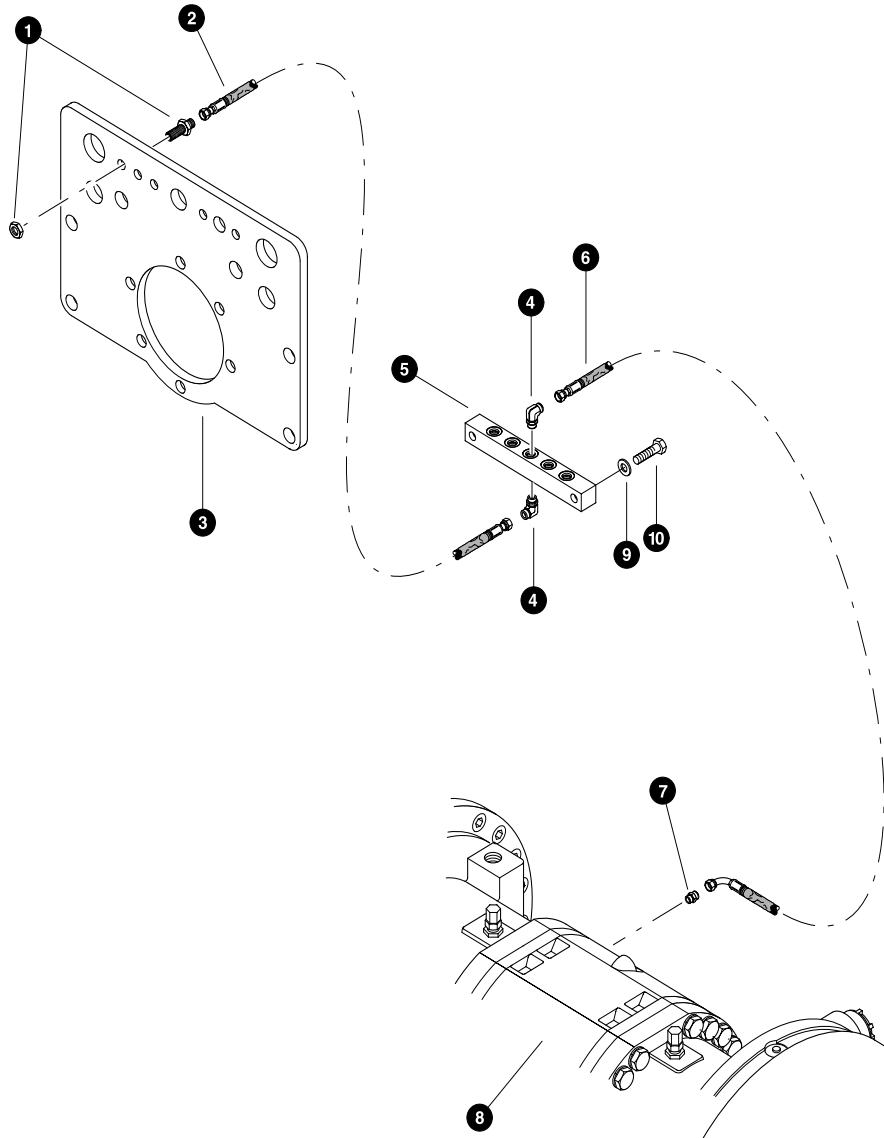


Parts T2847 08/21/2003
18,75

FRONT AXLE TRAVEL BRAKE LINES
(From Rotary Manifold to Front Axel)

REF	PART #	QTY	DESCRIPTION	SEE SECTION
1	REF.	1	☐ ROTARY MANIFOLD	UP-1-6
2	15124-HN	1	CONNECTOR, straight - FF1852T-0406S	
3	50966-HN	1	HOSE ASSEMBLY - 2026-04-040S-0409 (Junction manifold to rotary manifold port #10)	
4	18582-HN	1	CONNECTOR, straight bulkhead - 04	
5	50969-HN	1	HOSE ASSEMBLY - 2070-04-040S-040S (Junction manifold to rear frame bulkhead plate)	
6	40006-HN	1	BRACKET, bearing mount - (bulkhead plate 620)	
7	15176-HN	2	TEE - FF2114T-0404S	
8	15124-HN	2	CONNECTOR, straight - FF1852T-0404S	
9	22287-HN	1	MANIFOLD, GAUGE	
10	50970-HN	1	HOSE ASSEMBLY - 2053-04-040S-040S (Junction manifold to front axle)	
11	15528-HN	2	WASHER, 3/8 SAE FLAT	
12	10731-HN	2	BOLT, 3/8 x 1 1/2	
13	19470-HN	2	CONNECTOR, straight - 4M14F8OMLO-S	
14	50607-HN	1	HOSE ASSEMBLY - 2009.5-04-040S-0409	
15	REF.	1	☐ FRONT AXLE	AX-1

☐ See referenced page for component or assembly breakdown.

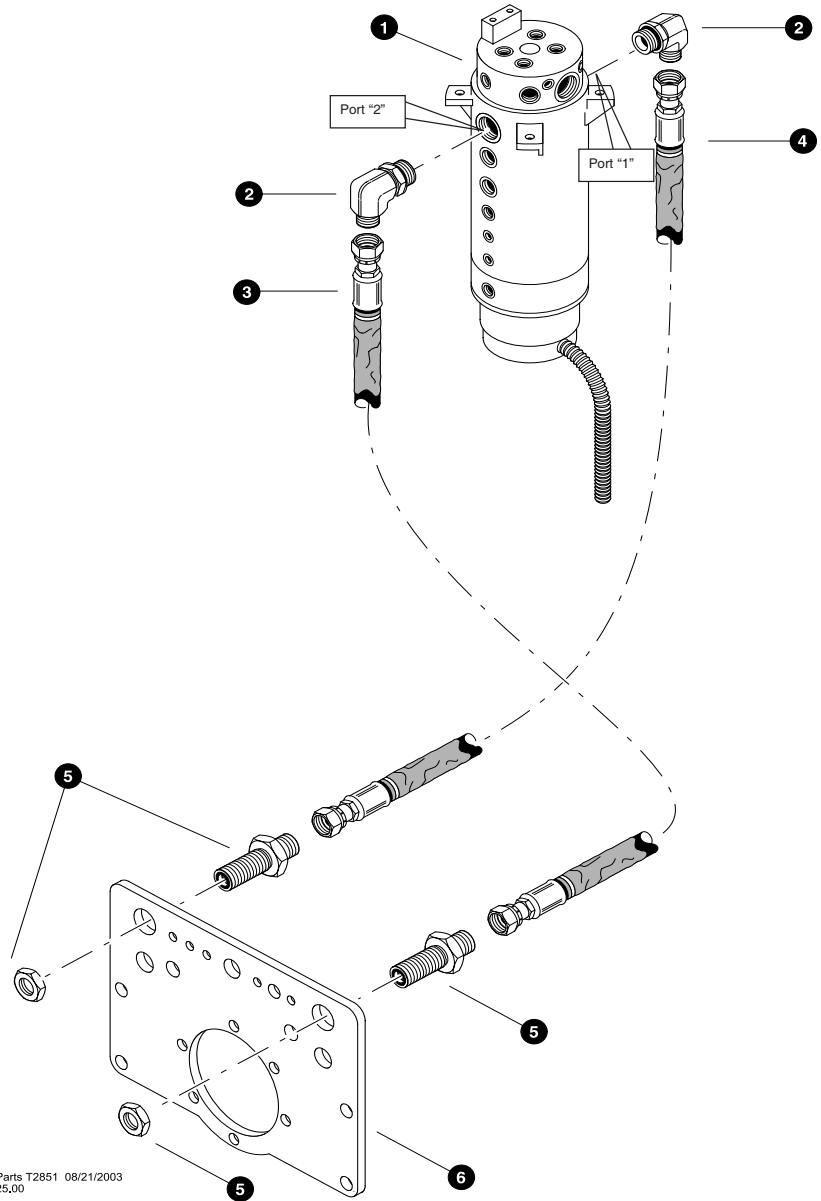


Parts T2848 08/21/2003
18,75

FRONT AXLE DIFFERENTIAL LOCK LINES
(From Rear Frame Bulkhead Plate to Front Axle)

REF	PART #	QTY	DESCRIPTION	SEE SECTION
1	18582-HN	1	CONNECTOR, straight bulkhead - 04	
2	50968-HN	1	HOSE ASSEMBLY - 2072-04-040S-040S (Junction manifold to rear frame bulkhead plate)	
3	40006-HN	1	BRACKET, bearing mount 620	
4	15124-HN	2	CONNECTOR, straight - FF1852T-0404S	
5	22287-HN	1	MANIFOLD, GAUGE	
6	50970-HN	1	HOSE ASSEMBLY - 2053-04-040S-040S (Junction manifold to front axle)	
7	19470-HN	2	CONNECTOR, straight - 4M14F8OMLO-S	
8	REF.	1	FRONT AXLE	AX-1
9	10731-HN	2	BOLT, 3/8 x 1 1/2	
10	15528-HN	2	WASHER, 3/8 SAE FLAT	

See referenced page for component or assembly breakdown.

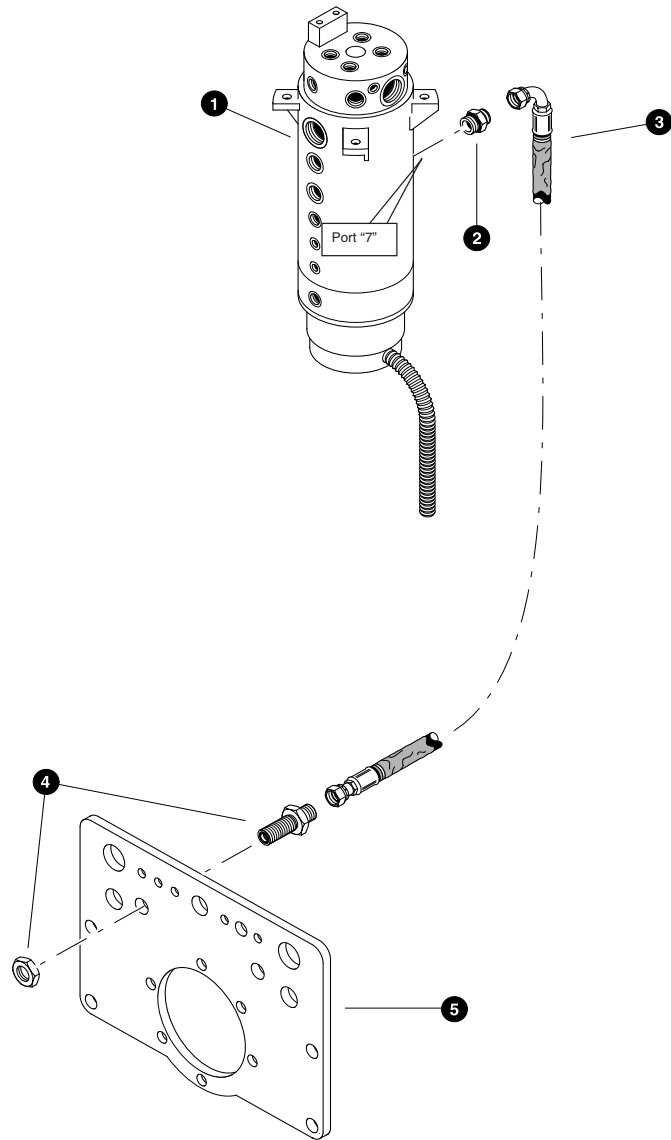


Parts T2851 08/21/2003
25.00

DRIVE MOTOR PRESSURE LINES
(Rotary Manifold to Rear Frame Bulkhead Plate)

REF	PART #	QTY	DESCRIPTION	SEE SECTION
1	REF.	1	☐ ROTARY MANIFOLD	UP-1
2	50470-HN	2	ELBOW, 90 - 849-TTO 16-20	
3	50980-HN	1	HOSE ASSEMBLY - 6066-16-160S-160S (rear frame bulkhead plate to rotary manifold port #2)	
4	50979-HN	1	HOSE ASSEMBLY - 6076-16-160S-160S (rear frame bulkhead plate to rotary manifold port #1)	
5	20003-HN	2	CONNECTOR, STR BULKHEAD - 16	
6	40006-HN	1	BRACKET, bearing mount - (bulkhead plate 620)	

☐ See referenced page for component or assembly breakdown.

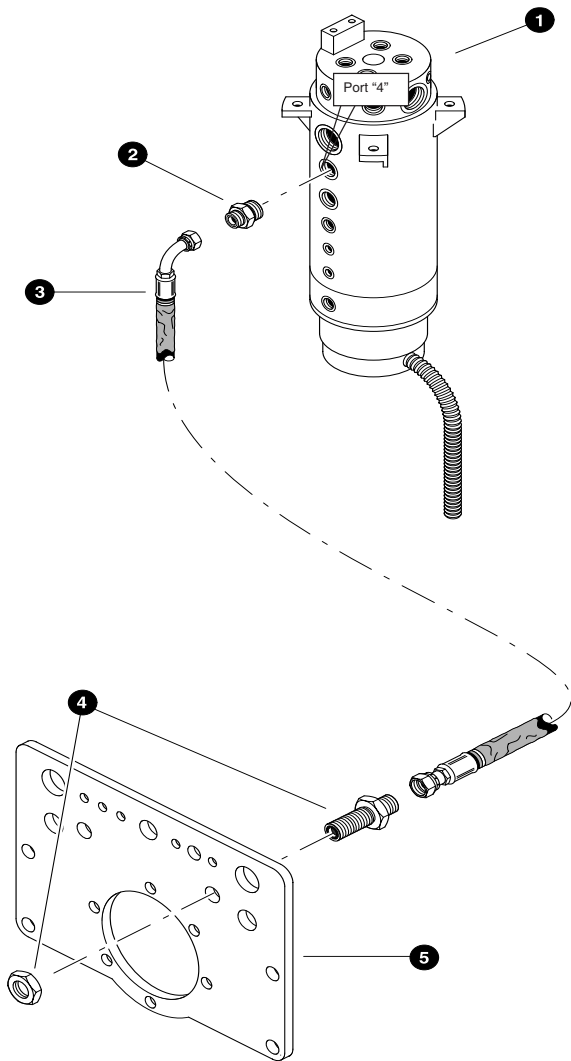


Parts T2833 08/18/2003
25.00

CASE DRAIN LINE
(Rotary Manifold to Rear Frame Bulkhead Plate)

REF	PART #	QTY	DESCRIPTION	SEE SECTION
1	REF.	1	ROTARY MANIFOLD	UP-1
2	16883-HN	1	CONNECTOR, STR - 08-12	
3	50976-HN	1	HOSE ASSEMBLY - 4074-08-080S-0809 (rear frame bulkhead plate to rotary manifold port #7)	
4	20196-HN	2	CONNECTOR, STR BULKHEAD - 08	
5	40006-HN	1	BRACKET, bearing mount - (bulkhead plate 620)	

See referenced page for component or assembly breakdown.

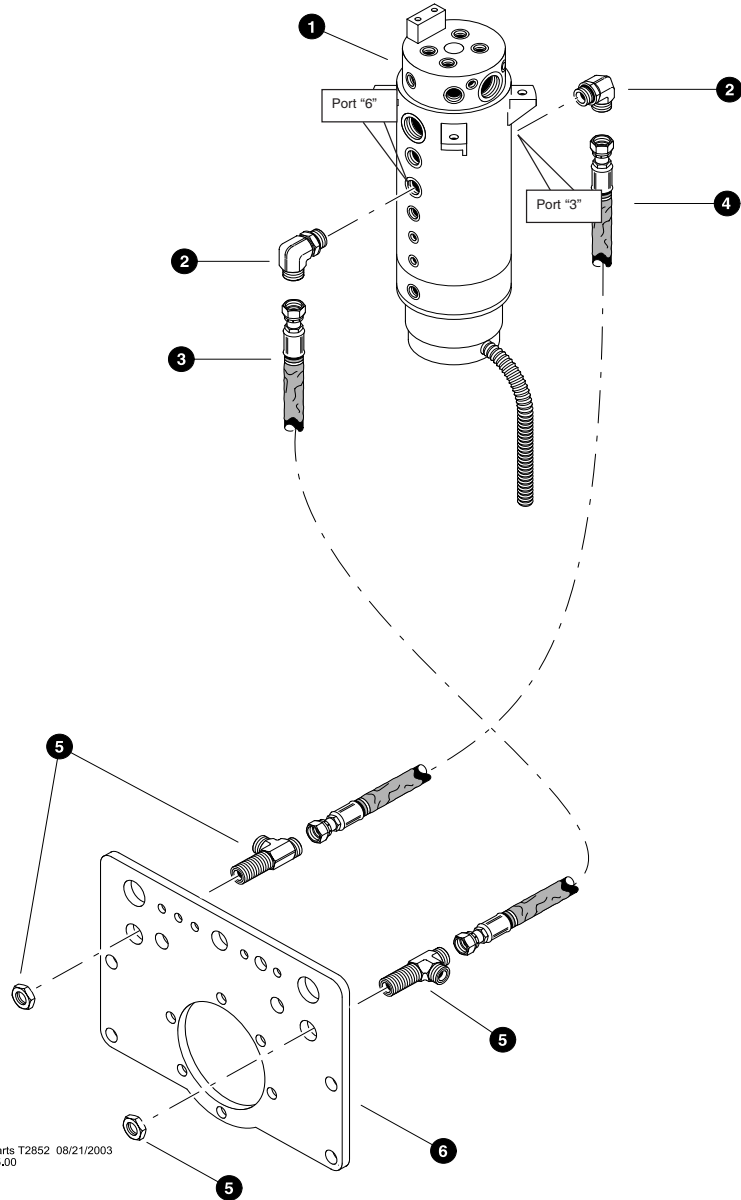


Parts T2853 08/21/2003
25.00

FRAME LOCK FEED LINE
(Rotary Manifold to Rear Frame Bulkhead Plate)

REF	PART #	QTY	DESCRIPTION	SEE SECTION
1	REF.	1	ROTARY MANIFOLD	UP-1
2	16883-HN	1	CONNECTOR, STR - 08-12	
3	50439-HN	1	HOSE ASSEMBLY - 4067-08-080S-0809 (rear frame bulkhead plate to rotary manifold port #4)	
4	20196-HN	2	CONNECTOR, STR BULKHEAD - 08	
5	40006-HN	1	BRACKET, bearing mount - (bulkhead plate 620)	

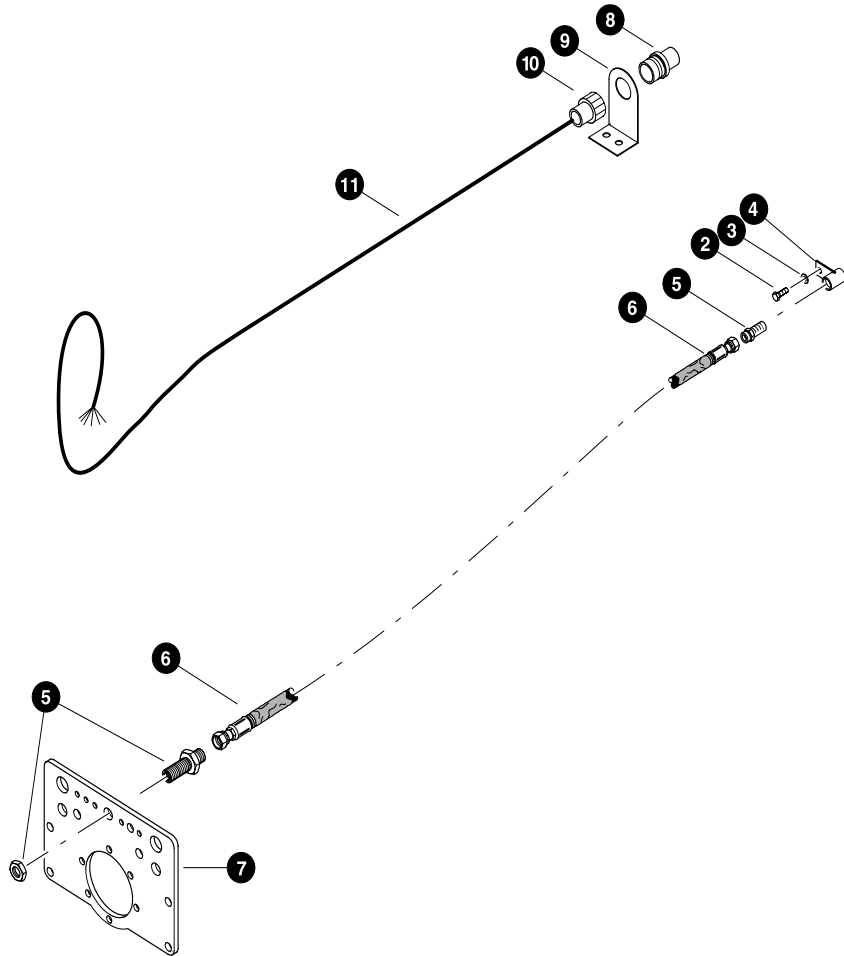
See referenced page for component or assembly breakdown.



STEER LINES
(Rotary Manifold to Rear Frame Bulkhead Plate)

REF	PART #	QTY	DESCRIPTION	SEE SECTION
1	REF.	1	☐ ROTARY MANIFOLD	UP-1
2	17688-HN	2	ELBOW, 90 - 849-TTO 12	
3	50805-HN	1	HOSE ASSEMBLY - 4062-12-120S-120S (rear frame bulkhead plate to rotary manifold port #6)	
4	50978-HN	1	HOSE ASSEMBLY - 4073-12-120S-120S (rear frame bulkhead plate to rotary manifold port #3)	
5	22716-HN	2	TEE, BULKHEAD - 12	
6	40006-HN	1	BRACKET, bearing mount - (bulkhead plate 620)	

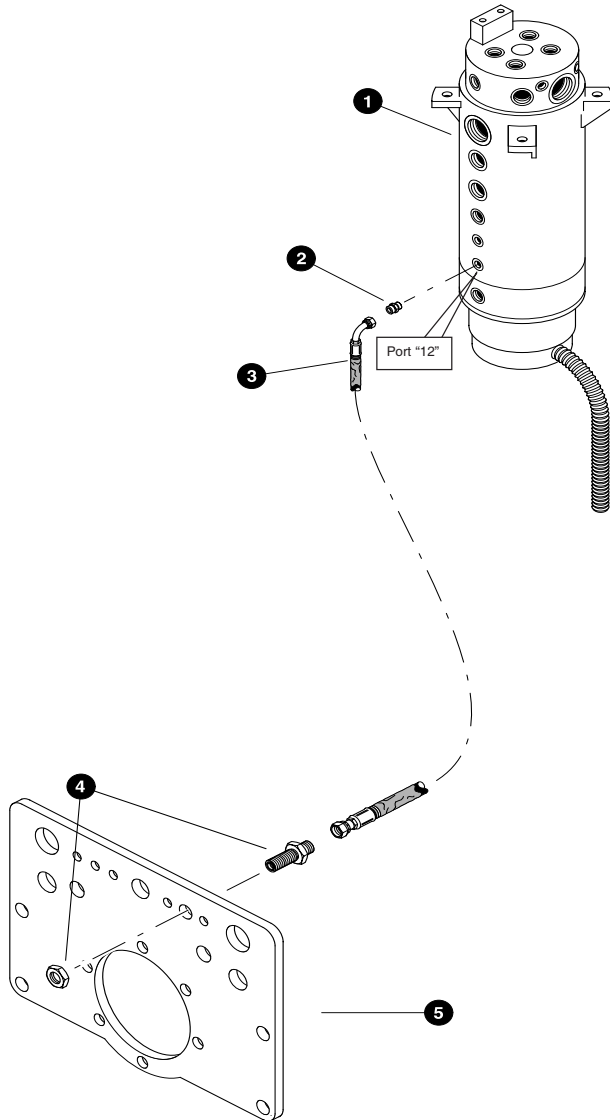
☐ See referenced page for component or assembly breakdown.



ELECTRICAL LINE
(Front Frame to Rear Frame Bulkhead Plate)

REF	PART #	QTY	DESCRIPTION	SEE SECTION
1	REF.	1	FRONT FRAME 620	HN-1
2	11707-HN	1	BOLT, 3/8 X 1"	
3	15528-HN	1	WASHER, 3/8 sae flat	
4	22203-HN	1	BRACKET, 3/4 pipe union	
5	50037-HN	1	CONNECTOR, STR - BULKHEAD - 10	
6	50977-HN	1	HOSE ASSEMBLY - 4070-10-10OS-10OS	
7	40006-HN	1	BRACKET, bearing mount - (bulkhead plate 620)	
8	51106-HN	1	CONNECTOR, (DEUTCH) 37 PIN MALE	
9	40532-HN	1	BRACKET, ELECTRICAL BULKHEAD	
10	51107-HN	1	CONNECTOR, (DEUTCH) 37 PIN FEMALE	
11	25123-HN	16	WIRE, 18ga 12 conductor	

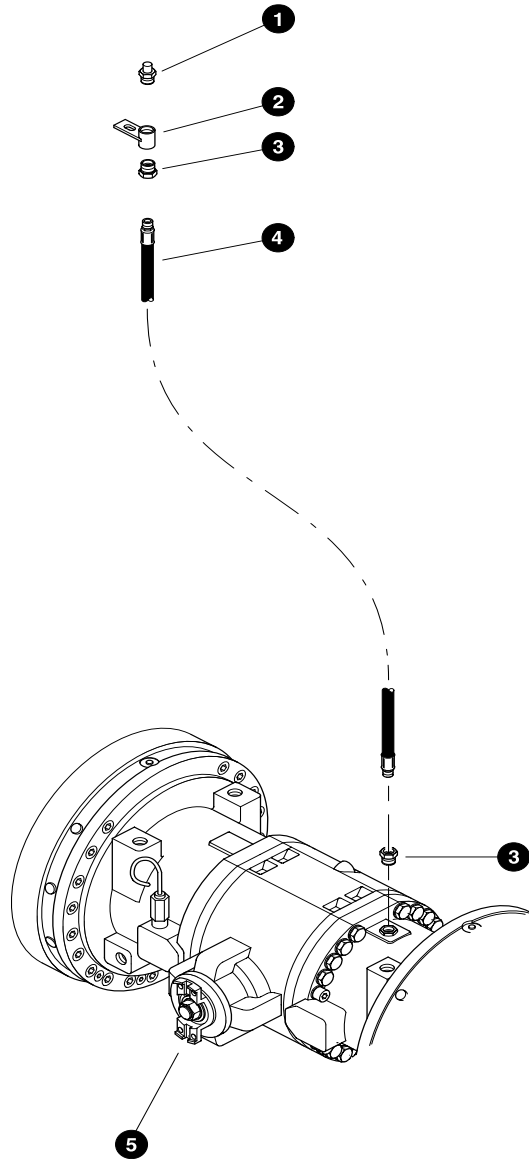
- See referenced page for component or assembly breakdown.
- Item sold in bulk - per foot (please specify length)



MONO BLOCK PRESSURE LINE
(Rotary Manifold to Rear Frame Bulkhead Plate)

REF	PART #	QTY	DESCRIPTION	SEE SECTION
1	REF.	1	ROTARY MANIFOLD	UP-1
2	15488-HL	1	CONNECTOR, STR - 06	
3	50972-HL	1	HOSE ASSEMBLY - 4063-06-060S-0609 (rear frame bulkhead plate to rotary manifold port #12)	
4	50420-HL	2	CONNECTOR, STR BULKHEAD - 06	
5	40006-HL	1	BRACKET, bearing mount - (bulkhead plate 620)	

See referenced page for component or assembly breakdown.



FRONT AXLE VENT LINE

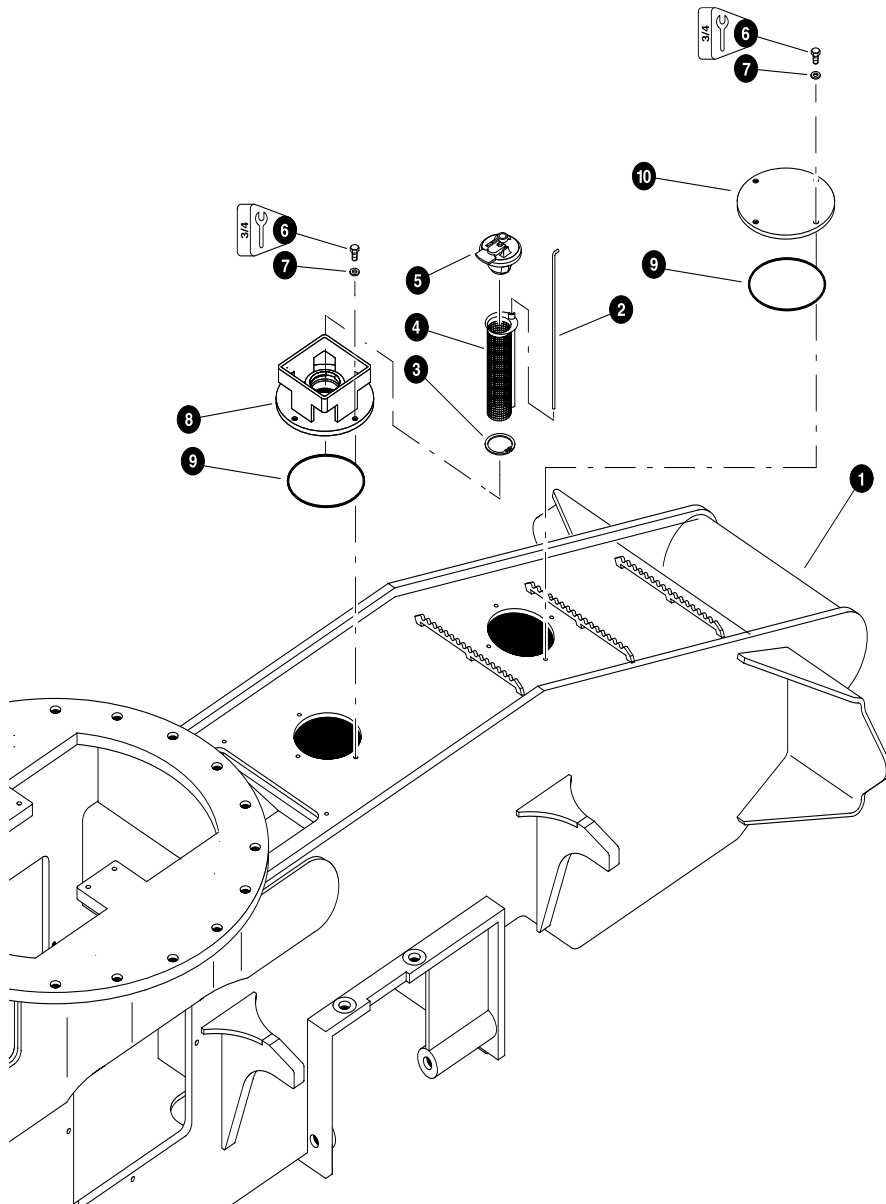
REF	PART #	QTY	DESCRIPTION	SEE SECTION
1	22570-HL	1	VENT, axle	
2	50723-HL	1	BRACKET, vent mount - 8	
3	11312-HL	1	BUSHING, PIPE 4 - 8	
4	50967-HL	1	HOSE ASSEMBLY - 2051-08-04MP-04MP (Axle vent port to vent mounting bracket)	
5	REF.	1	FRONT AXLE	AX-1

See referenced page for component or assembly breakdown.

THIS PAGE LEFT BLANK FOR NOTES

Section HN-4

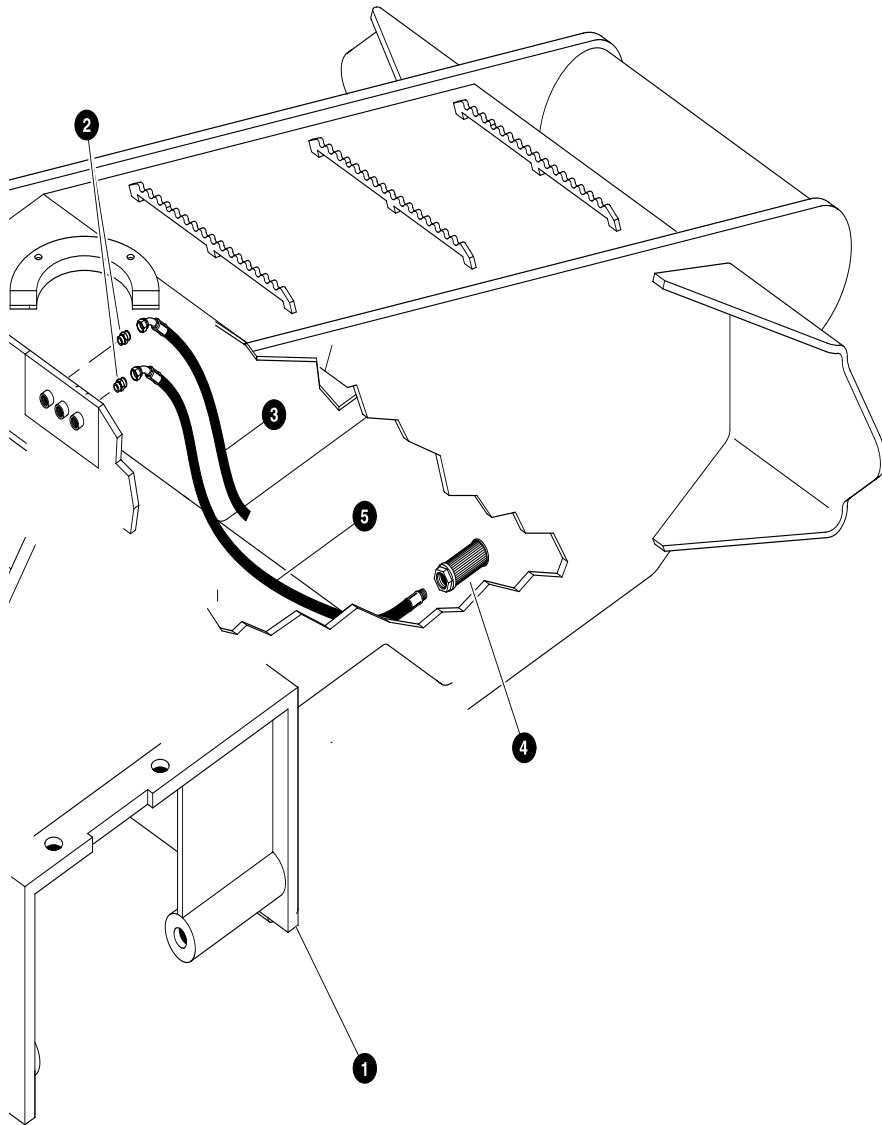
Non-Leveling 620 Front Frame - Fuel Tank Components



FUEL FILL STRAINER INSTALLATION

REF	PART #	QTY	DESCRIPTION	SEE SECTION
1	REF.	1	FRONT FRAME WELDMENT	HN-1-2
2	17492-HN	1	DIPSTICK, fuel level	
3	17115-HN	1	RING, snap - fuel strainer retainer	
4	17114-HN	1	STRAINER, fuel	
5	16585-HN	1	CAP, fuel	
6	10783-HN	4	BOLT - 1/2" x 1"	
7	15534-HN	4	WASHER, SAE flat - 1/2"	
8	16516-HN	1	COVER, fuel tank	
9	15600-HN	1	O-RING - 8"	
10	12250-HN	1	COVER, access fuel tank	

See referenced page for component or assembly breakdown.

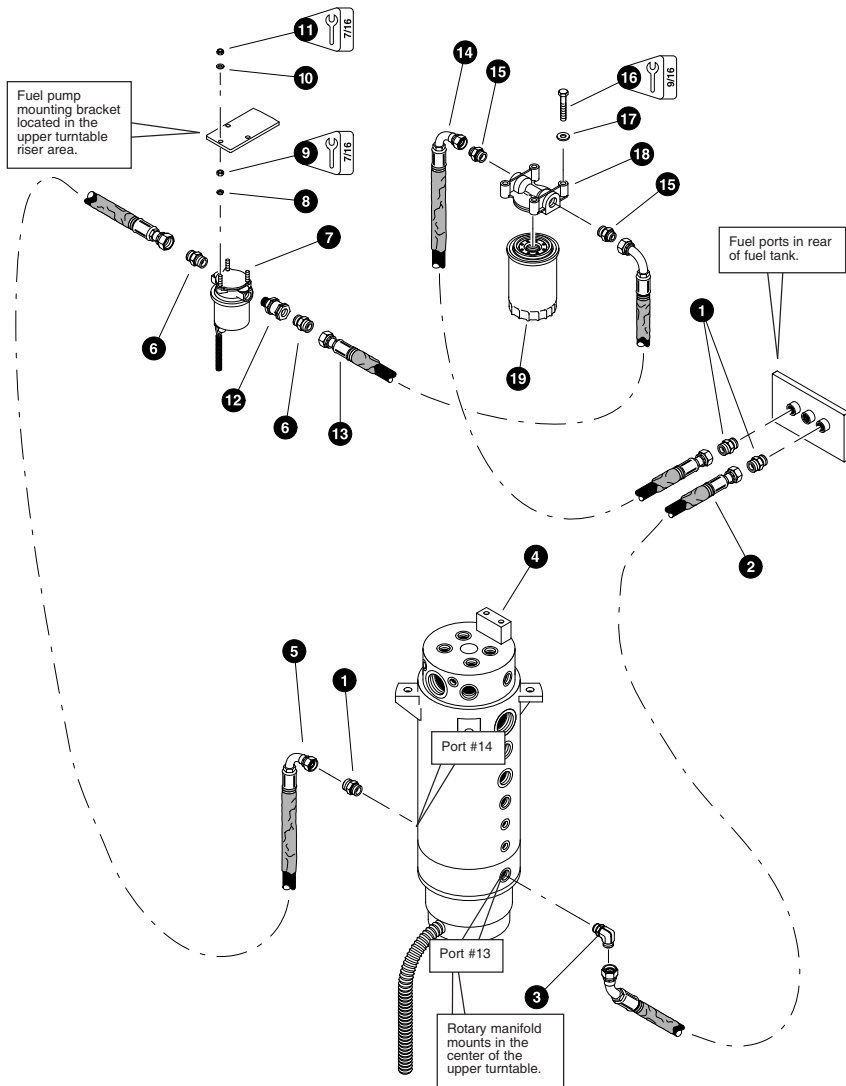


Parts T2798 08/05/03
18.75

FUEL LINES
(Supply & Return Lines Inside Fuel Tank)

REF	PART #	QTY	DESCRIPTION	SEE SECTION
1	REF.	1	FRONT FRAME WELDMENT	HN-1-2
2	15117-HN	2	CONNECTOR, straight - FF1852T-0808S	
3	50576-HN	1	HOSE ASSEMBLY - 2018-08-0804 (Fuel return)	
4	17271-HN	1	FILTER, screen	
5	50577-HN	1	HOSE ASSEMBLY - 2067-08-0804-08MP (Fuel supply)	

See referenced page for component or assembly breakdown.



Parts 01896 11/13/2001
18,75

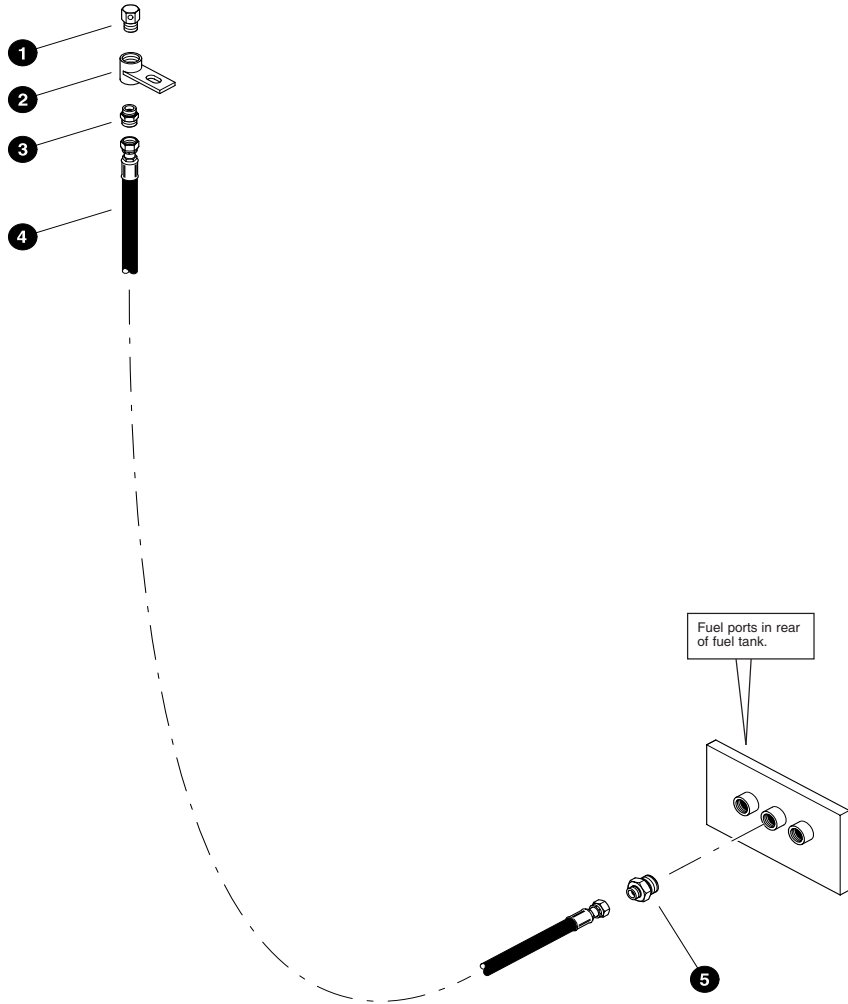
FUEL LINES
(Supply & Return Lines From Fuel Tank To Rotary Manifold)

REF	PART #	QTY	DESCRIPTION	SEE SECTION
1	15117-HN	3	CONNECTOR, straight - FF1852T-0808S	
2	50973-HN	1	HOSE ASSEMBLY - 4052-08-080S-0809 (Fuel return from lower rotary manifold port #13 to fuel tank return port)	
3	16360-HN	1	ELBOW, 90° - FF1868T-0808S	
4	REF.	1	ROTARY MANIFOLD	UP-1-6
5	50974-HN	1	HOSE ASSEMBLY - 2030-08-080S-0804 (Fuel supply from fuel pump outlet port to lower rotary manifold port #14)	
6	22902-HN	2	CONNECTOR, STR - 848-TT-08x06	
7	23358-HN	1	PUMP, fuel - 24 volt	
7	21966-HN	1	PUMP, fuel - 12 volt (used after 02/01/04)	
8	10756-HN	3	WASHER, lock - 1/4"	
9	10755-HN	3	NUT, hex - 1/4"	
10	10757-HN	3	WASHER, SAE flat - 1/4"	
11	15509-HN	3	NUT, nylock - 1/4"	
12	15652-HN	1	VALVE, check	
13	50975-HN	1	HOSE ASSEMBLY - 2022-08-080S-0809 (Fuel filter outlet port to fuel pump inlet port)	
14	50975-HN	1	HOSE ASSEMBLY - 4022-08-080S-0809 (Fuel tank supply port to fuel filter inlet port)	
15	15115-HN	3	CONNECTOR, straight - FF1852T-0810S	
16	23265-HN	2	BOLT - 3/8" x 2-1/4"	
17	15528-HN	2	WASHER, SAE flat - 3/8"	
18	16574-HN	1	MOUNT, filter head	
19	16575-HN	1	FILTER, spin-on fuel	

See referenced page for component or assembly breakdown.

Last Updated - 06/01/2003

Non-Leveling Front Frame - Fuel Tank Components



Parts T2845 08/20/2003
18.75

T600-E Parts Module HN-51102

HN-4-7

Non-Leveling Front Frame - Fuel Tank Components

Last Updated - 06/01/2003

FUEL LINES (Fuel Tank Vent)

REF	PART #	QTY	DESCRIPTION	SEE SECTION
1	22906-HN	1	BREATHER, fuel vent	
2	23393-HN	1	BRACKET, fuel tank vent	
3	15131-HN	1	CONNECTOR, straight - FF2031T-0404S	
4	50971-HN	1	HOSE ASSEMBLY - 2043-04-040S-040S (Fuel tank vent port to fuel vent breather)	
5	15504-HN	1	CONNECTOR, straight - FF2031T-0408S	

See referenced page for component or assembly breakdown.

HN-4-8

T600-E Parts Module HN-51102

