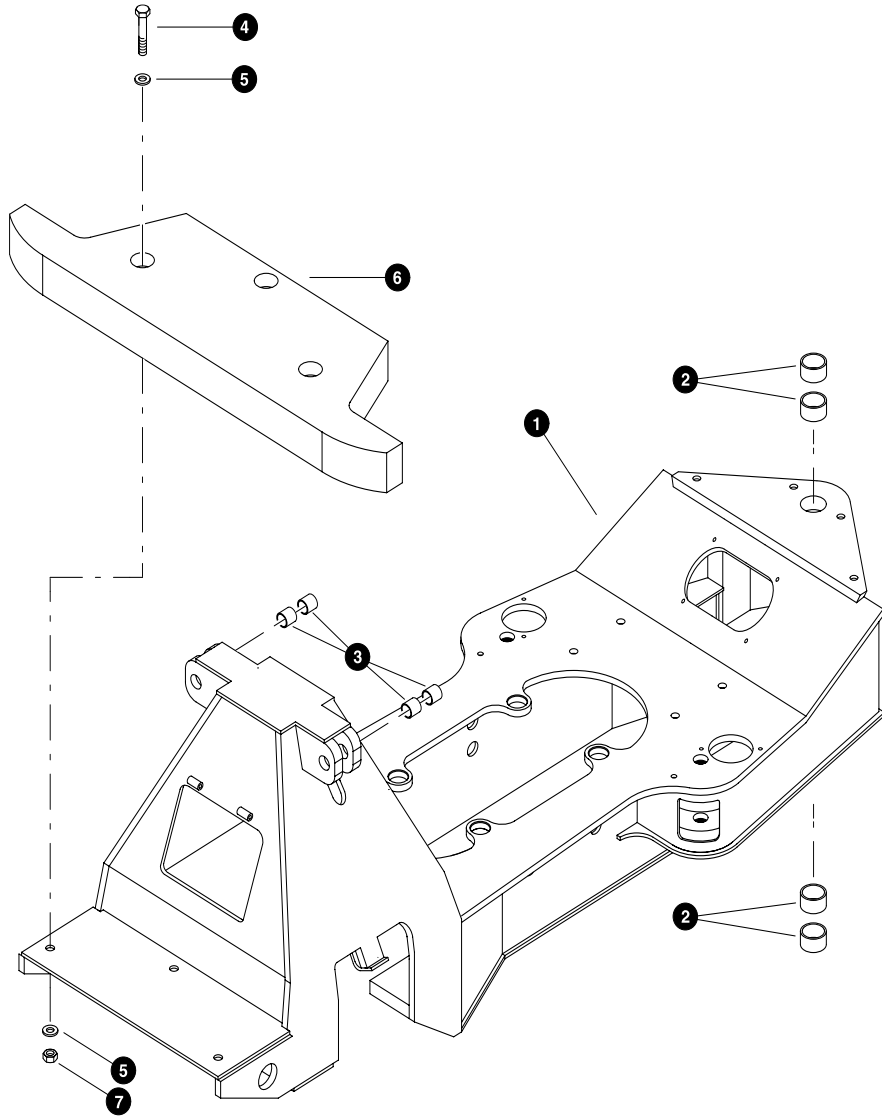


Section HR-1



***620 Rear Frame -
Structural / Covers / Pins***

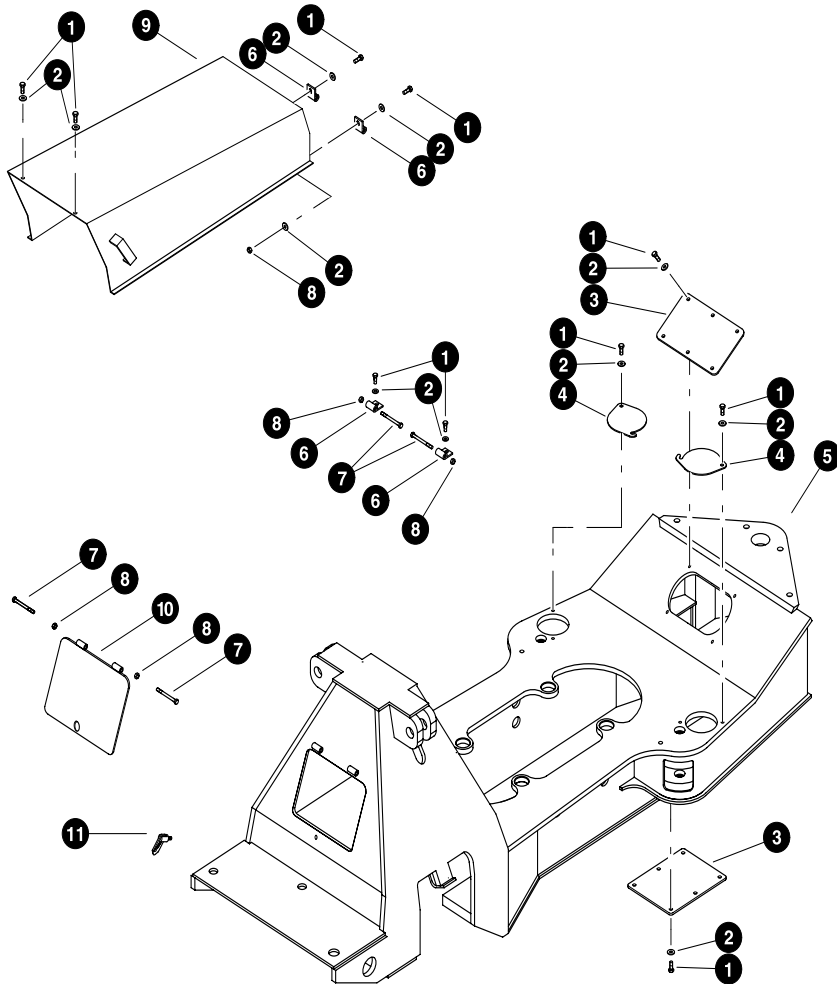


Parts T2856 08/22/2003
9.375

REAR FRAME COMPONENTS (620)

REF	PART #	QTY	DESCRIPTION	SEE SECTION
1	40718-HR	1	<input type="checkbox"/> REAR FRAME WELDMENT (620)	
2	23104-HR	4	BUSHING - 3-1/2" x 1-1/2"	
3	10712-HR	4	BUSHING - 1-1/2" X 1-1/2"	
4	23387-HR	3	BOLT, 1" X 6.5"	
5	18532-HR	6	WASHER, 1" SAE FLAT (EXTRA THICK)	
6	40135-HR	1	COUNTER WEIGHT, (TB 620)	
7	18253-HR	3	NUT, 1" LOCK	

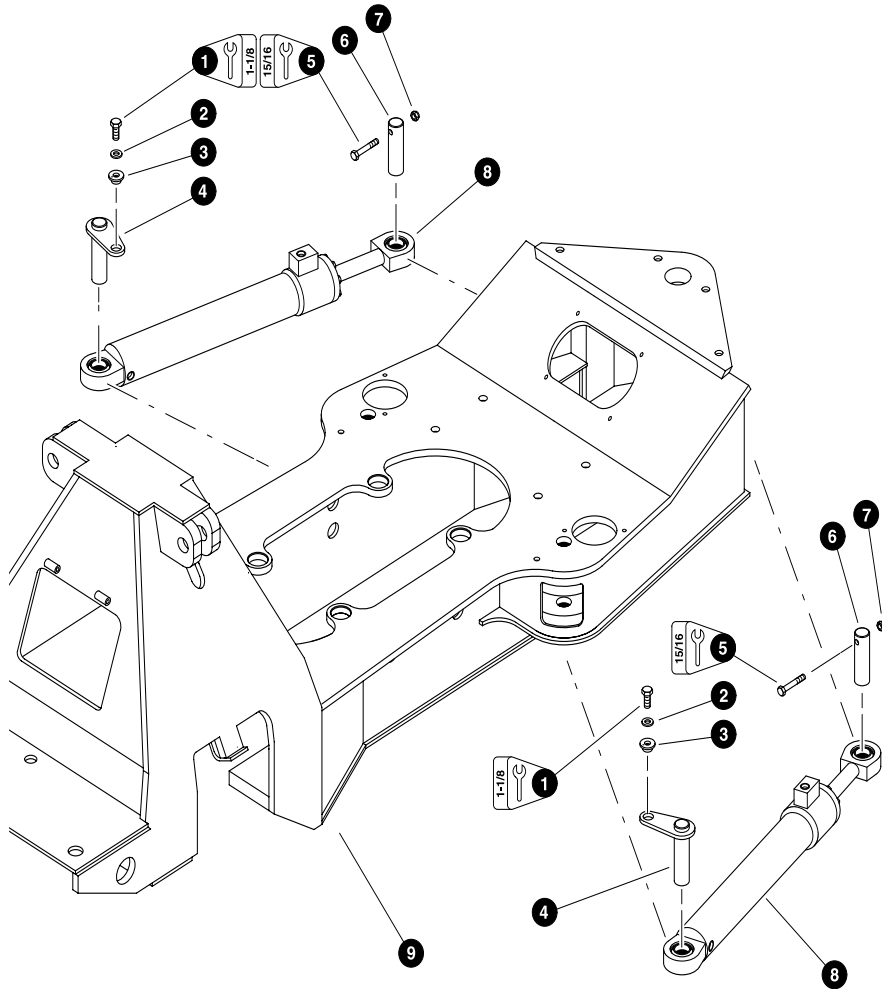
Kit or Assembly - includes all items indented underneath.



REAR FRAME ACCESS COVERS (620)

REF	PART #	QTY	DESCRIPTION	SEE SECTION
1	10739-HR	14	BOLT - 1/2" x 1-1/2"	
2	15534-HR	16	WASHER, SAE flat - 1/2"	
3	19395-HR	2	COVER, access - steer box / axle	
4	12150-HR	2	COVER, access - steer cylinder	
5	REF.	1	REAR FRAME WELDMENT	HR-1
6	16403-HR	4	BRACKET, HINGE	
7	10835-HR	4	BOLT - 1/2" x 4-1/2"	
8	10815-HR	6	NUT, lock - 1/2"	
9	40730-HR	1	COVER, access - gearbox (620)	
10	40728-HR	1	COVER, access - tool box	
11	19771-HR	1	LATCH, CAM	

See referenced page for component or assembly breakdown.

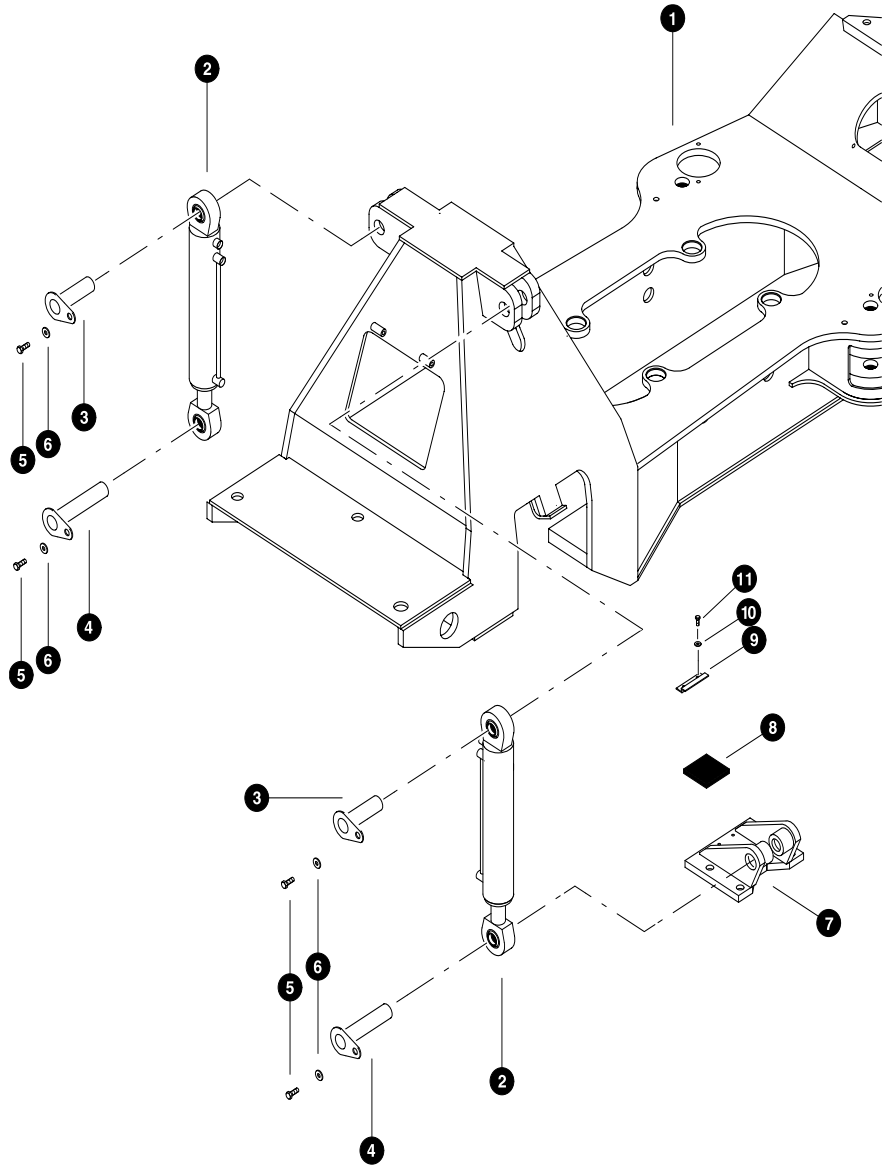


Parts T2858 08/25/03
9,375

STEER CYLINDER INSTALLATION (620)

REF	PART #	QTY	DESCRIPTION	SEE SECTION
1	15549-HR	2	BOLT - 3/4" x 2"	
2	15550-HR	2	WASHER, SAE flat - 3/4"	
3	18570-HR	2	WASHER, pin retaining	
4	80769-HR	2	PIN, steer cylinder mounting - base	
5	10719-HR	2	BOLT - 5/8" x 4"	
6	19448-HR	2	PIN, steer cylinder mounting - rod	
7	15563-HR	2	NUT, nylock - 5/8"	
8	REF.	2	STEER CYLINDER	HR-4
9	REF.	1	REAR FRAME WELDMENT	HR-1

See referenced page for component or assembly breakdown.



Parts T2859 08/25/03
9.375

FRAME LOCK CYLINDER INSTALLATION (620)

REF	PART #	QTY	DESCRIPTION	SEE SECTION
1	REF.	1	REAR FRAME WELDMENT	HR-1
2	REF.	2	FRAME LOCK CYLINDER	HR-4
3	50760-HR	2	PIN, frame lock cyl (top)	
4	50486-FR	2	PIN, frame lock cyl (bottom)	
5	10739-HR	4	BOLT - 1/2" x 1-1/2"	
6	15534-HR	4	WASHER, SAE flat - 1/2"	
7	40734-HR	2	WELDMENT, stabilizer bracket	
8	51422-HR	2	CUSHION, RUBBER	
9	40683-HR	1	BRACKET, RUBBER SUPPORT	
10	15528-HR	2	WASHER, 3/8 SAE	
11	15542-HR	2	BOLT, 3/8 X 3/4	

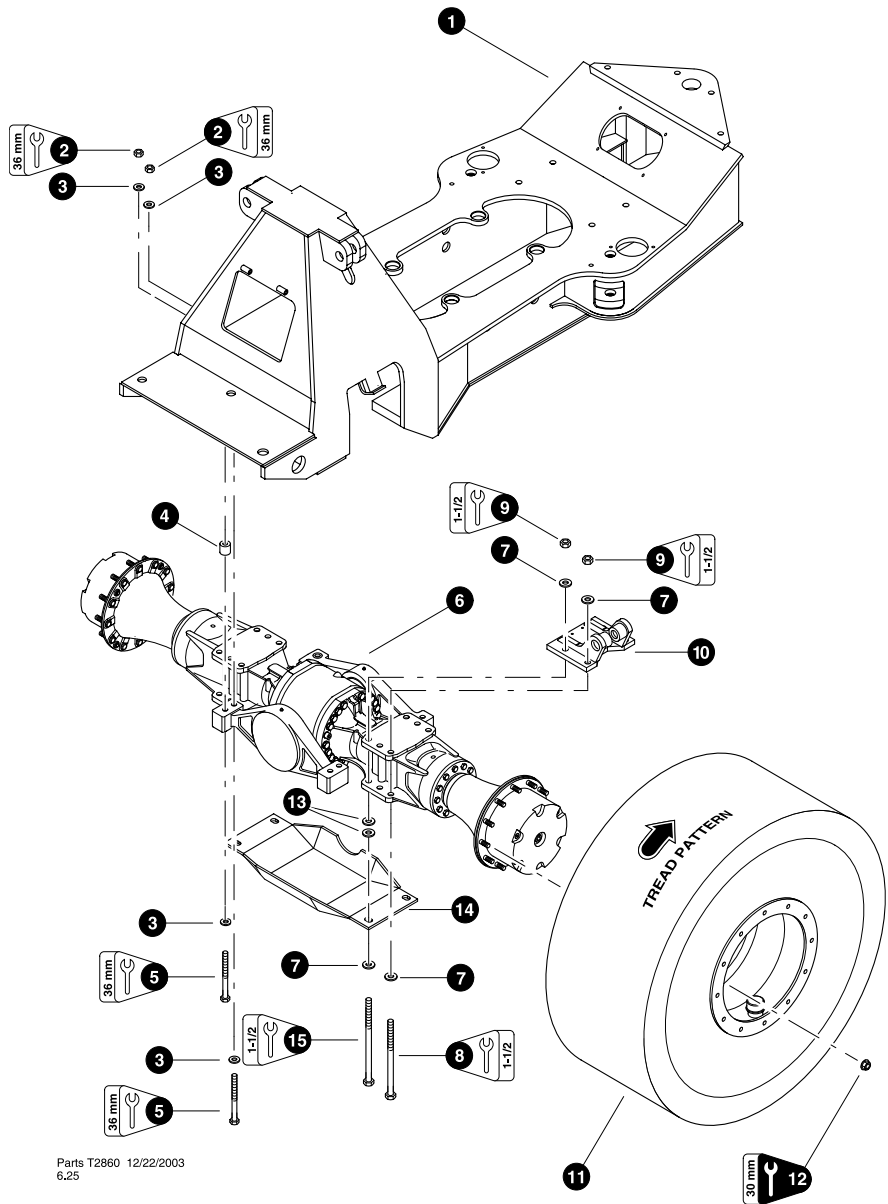
See referenced page for component or assembly breakdown.

THIS PAGE LEFT BLANK FOR NOTES

Section HR-2



620 Rear Frame - Frame & Drivetrain Installation



Parts T2860 12/22/2003
6.25

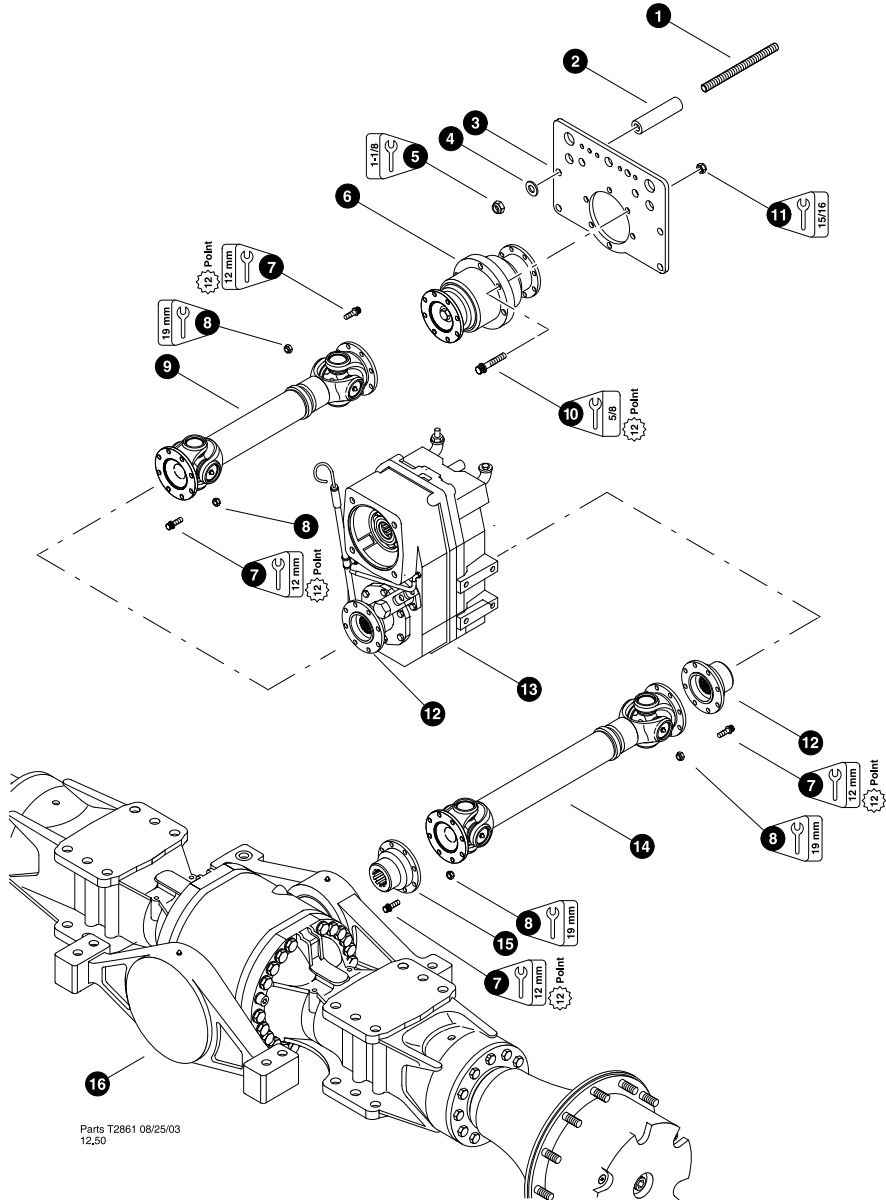
REAR AXLE INSTALLATION

REF	PART #	QTY	DESCRIPTION	SEE SECTION
1	REF.	1	REAR FRAME WELDMENT	HR-1
2	50225-HR	8	NUT, 24mm (See Note #1 Below)	
3	50226-HR	16	WASHER, 7/8" SAE FLAT (EXTRA THICK)	
4	50022-HR	4	SPACER, TUBE (lineup pin 620 rear axel)	
5	50224-HR	8	BOLT, 24mm X 180mm (Torque to 600 ft.lbs.)	
6	REF.	1	AXEL ASSY.	AX-2
7	18532-HR	16	WASHER, 1" SAE FLAT (EXTRA THICK)	
8	50487-HR	4	BOLT, 1" X 12" (Torque to 580 ft.lbs.)	
9	18253-HR	8	NUT, 1" LOCK	
10	REF.	1	STABLIZER BRACKET	HR-1
11	REF.	4	WHEEL ASSEMBLY	AX-3
12	19361-HR	24	NUT, lug (Torque to 600 ft.lbs.)	
13	42111-HR	8	WASHER, 7/8" SAE FLAT (EXTRA THICK) (special)	
14	51247-HR	1	PLATE, Skid - 620 (optional)	
15	42109-HR	4	BOLT, 1" X 13" (Torque to 580 ft.lbs.)	

☞ See referenced page for component or assembly breakdown.

Note #1:

Use Loctite 262 (red) during installation.



Parts T2861 08/25/03
12,50

DRIVE SHAFT INSTALLATION (NAF 2-SPEED SHAFTS)

REF	PART #	QTY	DESCRIPTION	SEE SECTION
1	26037-HR	4	STUD, 3/4 X 8.5 (see note #2)	
2	80721-HR	4	SPACER	
3	40006-FR	1	BRACKET, bearing mount (used before 05/25/04)	
3	42201-FR	1	BRACKET, bearing mount (used after 05/25/04)	
4	15550-HR	4	WASHER, SAE flat 3/4	
5	10817-HR	4	NUT, lock - 3/4" (Torque to 230 ft lbs.)	
6	25218-HR	1	IDLER, driveshaft (HD)	
7	50261-HR	32	BOLT, 12 point - 12mm-1.75P x 35mm (See Note #1 Below)	
8	50262-HR	32	NUT, lock - 12mm	
9	- - -	1	<input type="checkbox"/> DRIVE SHAFT (Gearbox to Center) (458936-61)	
	50466-HR	2	KIT, CROSS & BEARING	
	50467-HR	2	YOKE, FLANGE (90mm)	
	50261-HR	16	BOLT, 12 point - 12mm-1.75P x 35mm (See Note #1 Below)	
	50262-HR	16	NUT, lock - 12mm	
10	50050-HR	6	BOLT, 12 point - 5/8" x 3" (See Note #1 Below) (Torque to 130 ft.lbs. (175 Nm))	
11	10816-HR	6	NUT, lock - 5/8"	
12	25966-HR	1	YOKE, companion flange - gearbox	
13	REF.	1	<input type="checkbox"/> GEARBOX ASSY.	AX-2
14	- - -	1	<input type="checkbox"/> DRIVE SHAFT (Gearbox to Axle) (464296-61)	
	50466-HR	2	KIT, CROSS & BEARING	
	50467-HR	2	YOKE, FLANGE (90mm)	
	50261-HR	16	BOLT, 12 point - 12mm-1.75P x 35mm (See Note #1 Below)	
	50262-HR	16	NUT, lock - 12mm	
15	23997-HR	1	YOKE, companion flange - AXLE	
16	REF.	1	<input type="checkbox"/> AXEL ASSY.	AX-2

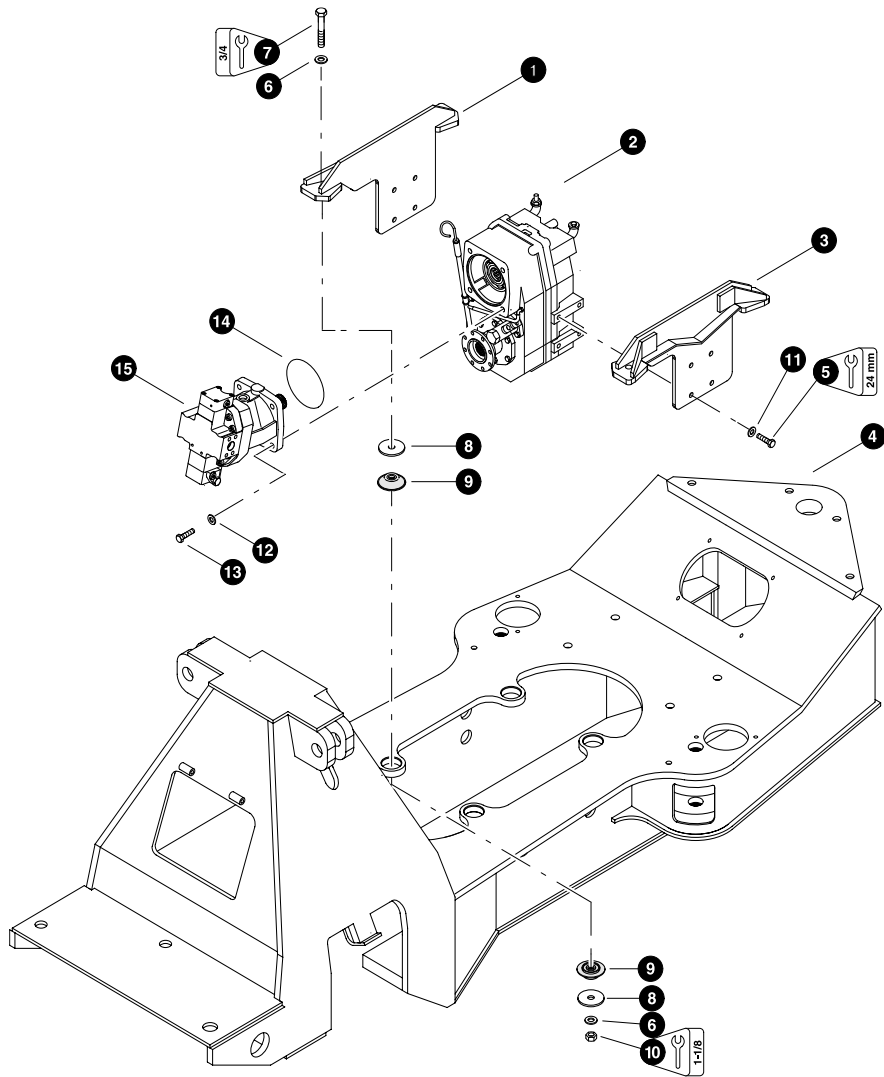
- See referenced page for component or assembly breakdown.
- Kit or Assembly - includes all items indented underneath.

Note #1:

Use Loctite 242 (blue) during installation.

Note #2:

Use Loctite 262 (red) during installation.



Parts T2662 08/25/03
9,375

REAR FRAME GEARBOX MOUNTING (NAF - 2 SPEED GEARBOX)

REF	PART #	QTY	DESCRIPTION	SEE SECTION
1	50296-HR	1	MOUNT, NAF 2 SPEED gearbox LH	
2	REF.	1	TRANSFER CASE	AX-4
3	50297-HR	1	MOUNT, NAF 2 SPEED gearbox RH	
4	REF.	1	REAR FRAME WELDMENT	HR-1
5	50382-HR	8	BOLT - 16mm 2.00 X 40mm <i>(Torque to 180 ft-lbs) (See Note #1 Below)</i>	
6	15550-HR	8	WASHER, SAE flat - 3/4"	
7	10844-HR	4	BOLT - 3/4" x 5"	
8	17918-HR	8	WASHER, isolator mount .875"	
9	17904-HR	8	ISOLATOR	
10	10817-HR	4	NUT, lock 3/4"	
11	10771-HR	8	WASHER, SAE flat - 5/8"	
12		4	WASHER, SAE flat - 20 mm (98273)	
13	18525-HR	4	BOLT - 20mm X 50mm <i>(See Note #1 Below)</i>	
14	20967-HR	1	O-RING, drive motor pilot	
15	REF.	1	Hydrostatic Drive Motor	HR-4

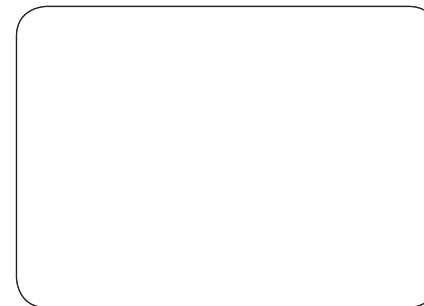
See referenced page for component or assembly breakdown.

Note #1:

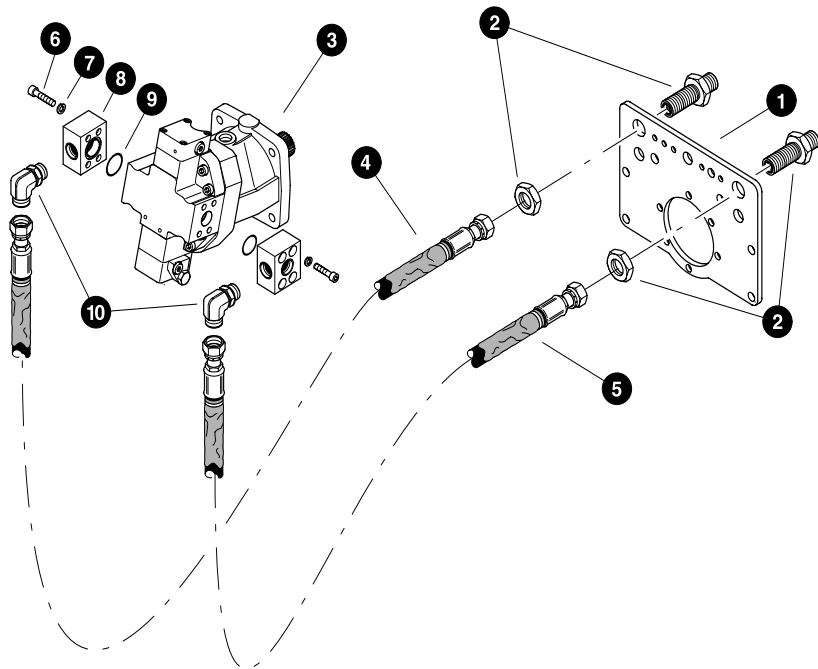
Use Loctite 242 (BLUE) during installation.

THIS PAGE LEFT BLANK FOR NOTES

Section HR-3



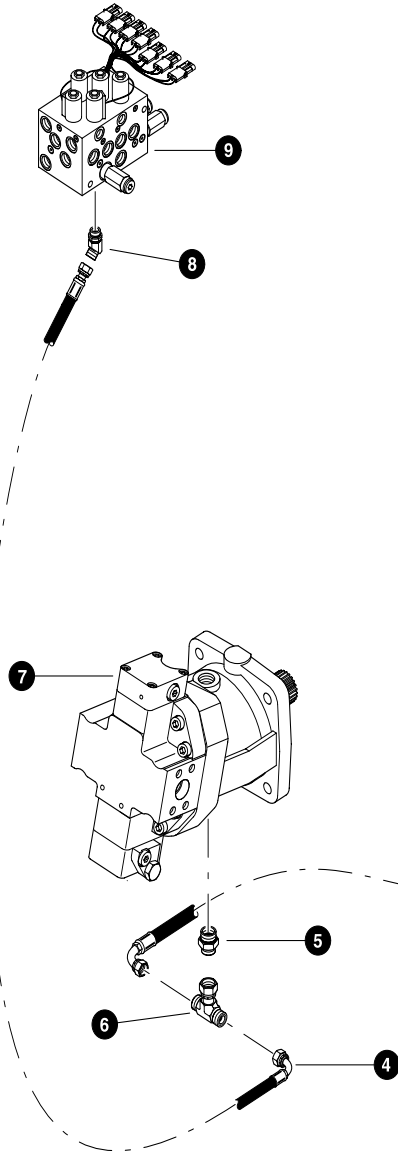
620 Rear Frame - Hydraulics



WHEEL DRIVE SYSTEM HYDRAULICS (Rotary Manifold To Rear Drive Motor)

REF	PART #	QTY	DESCRIPTION	SEE SECTION
1	Ref	1	BRACKET, BEARING MOUNT	HR-1
2	20033-HR	2	CONNECTOR, BULKHEAD - 16	
3	REF.	1	WHEEL DRIVE MOTOR	HR-4
4	50582-HR	1	HOSE ASSEMBLY - 6077-16-16JS-1609 (bulkhead to drive motor)	
5	50582-HR	1	HOSE ASSEMBLY - 6077-16-16JS-1609 (bulkhead to drive motor)	
6	50074-HR	8	BOLT, ALLEN 1/2 X 1 1/2"	
7	50075-HR	8	WASHER, LOCK 1/2	
8	26008-HR	2	MANIFOLD, rexroth drive motor	
9	15378-HR	2	O-RING, 1.25"	
10	15484-HR	2	ELBOW, 90 - FF6801 - 16	

See referenced page for component or assembly breakdown.



Parts T2864 08/26/03
18.75

T620-E Parts Module HR-51103

HR-3-3

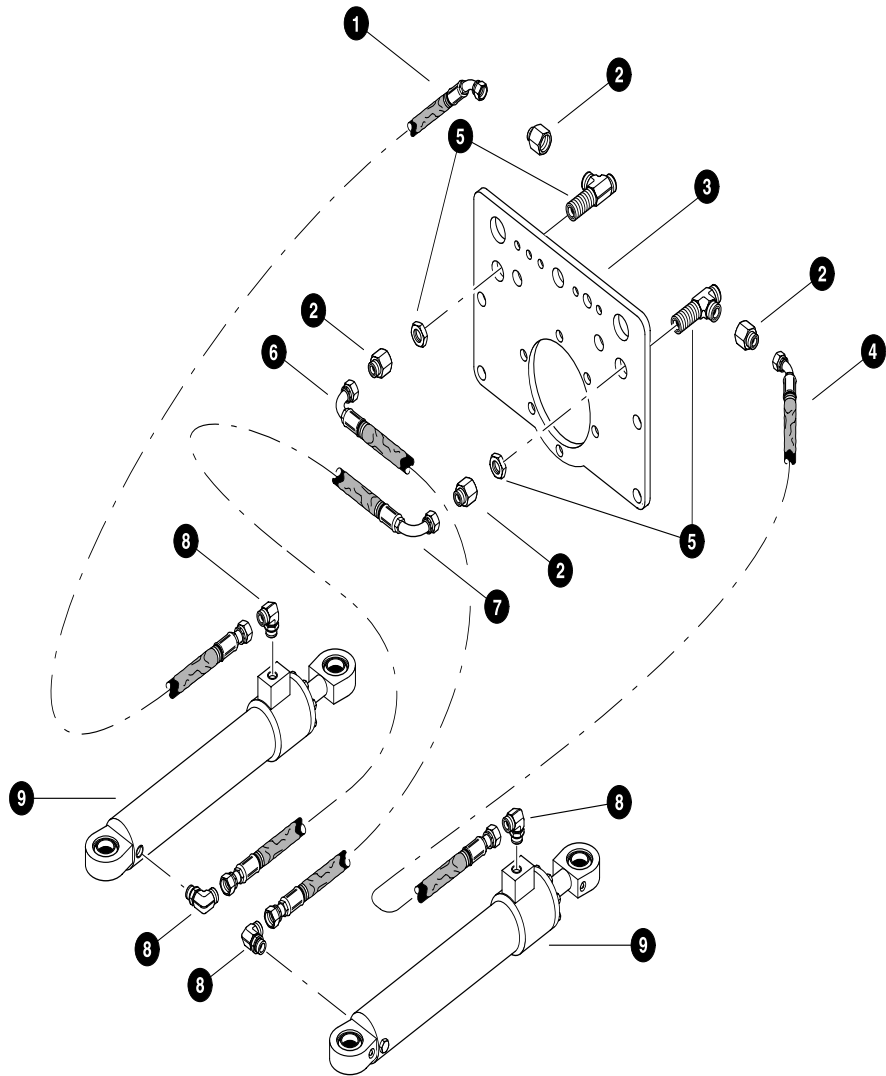
WHEEL DRIVE SYSTEM HYDRAULICS (Drive Motors Case Drain)

REF	PART #	QTY	DESCRIPTION	SEE SECTION
1	Ref	1	BRACKET, BEARING MOUNT	HR-1
2	20196-HR	1	CONNECTOR, STR. - BULKHEAD - 8	
3	50439-HR	1	HOSE ASSEMBLY - 467-08-080S-08O9 (Bulkhead to motor case)	
4	- - -	1	HOSE ASSEMBLY - 2036-06-060S-08O4 (mono block "T" port to motor case tee)	
5	15238-HR	1	CONNECTOR, STR. 08-12	
6	51003-HR	1	TEE, FF6600 - 08	
7	REF.	1	WHEEL DRIVE MOTOR	HR-4
8	17646-HR	1	ELBOW, 45 - 0406	
9	REF.	1	LOWER MONO BLOCK	HR-4

☞ See referenced page for component or assembly breakdown.

HR-3-4

T620-E Parts Module HR-51103

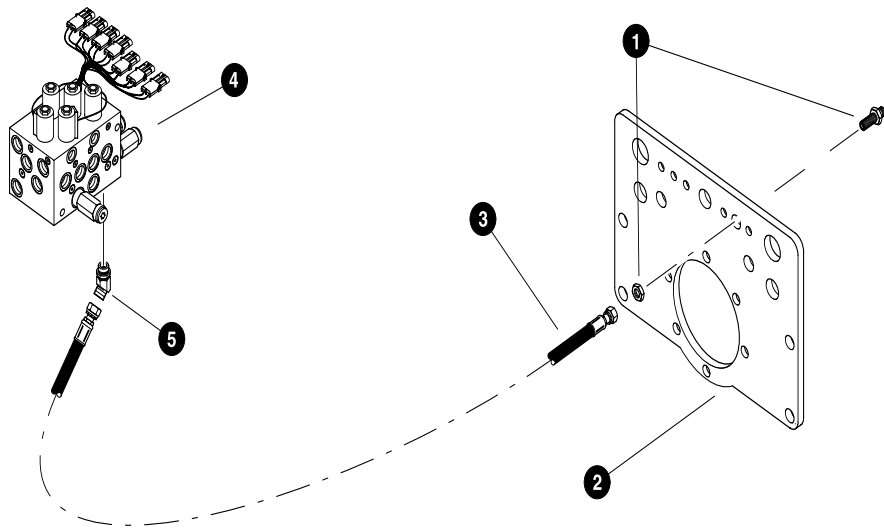


Parts T2817 08/26/03
18.75

STEER FUNCTION HYDRAULICS
(Rotary Manifold Ports To Steer Cylinders)

REF	PART #	QTY	DESCRIPTION	SEE SECTION
1	50437-HR	1	HOSE ASSEMBLY - 4055-08-080S-0804 (Left bulkhead tee to left steer cylinder rod port)	
2	18581-HR	2	CONNECTOR, reducer - FF2281T-0812S	
3	Ref	1	BRACKET, BEARING MOUNT	HR-1
4	50437-HR	1	HOSE ASSEMBLY - 4055-08-080S-0804 (Right bulkhead tee to right steer cylinder rod port)	
5	22716-HR	2	TEE, BULKHEAD - 12	
6	50436-HR	2	HOSE ASSEMBLY - 4045-08-080S-0809 (Left bulkhead tee to right steer cylinder base port)	
7	50436-HR	2	HOSE ASSEMBLY - 4045-08-080S-0809 (Right bulkhead tee to left steer cylinder base port)	
8	16360-HR	1	ELBOW, 90° - FF1868T-0808S	
9	REF.	2	STEER CYLINDERS	HR-4

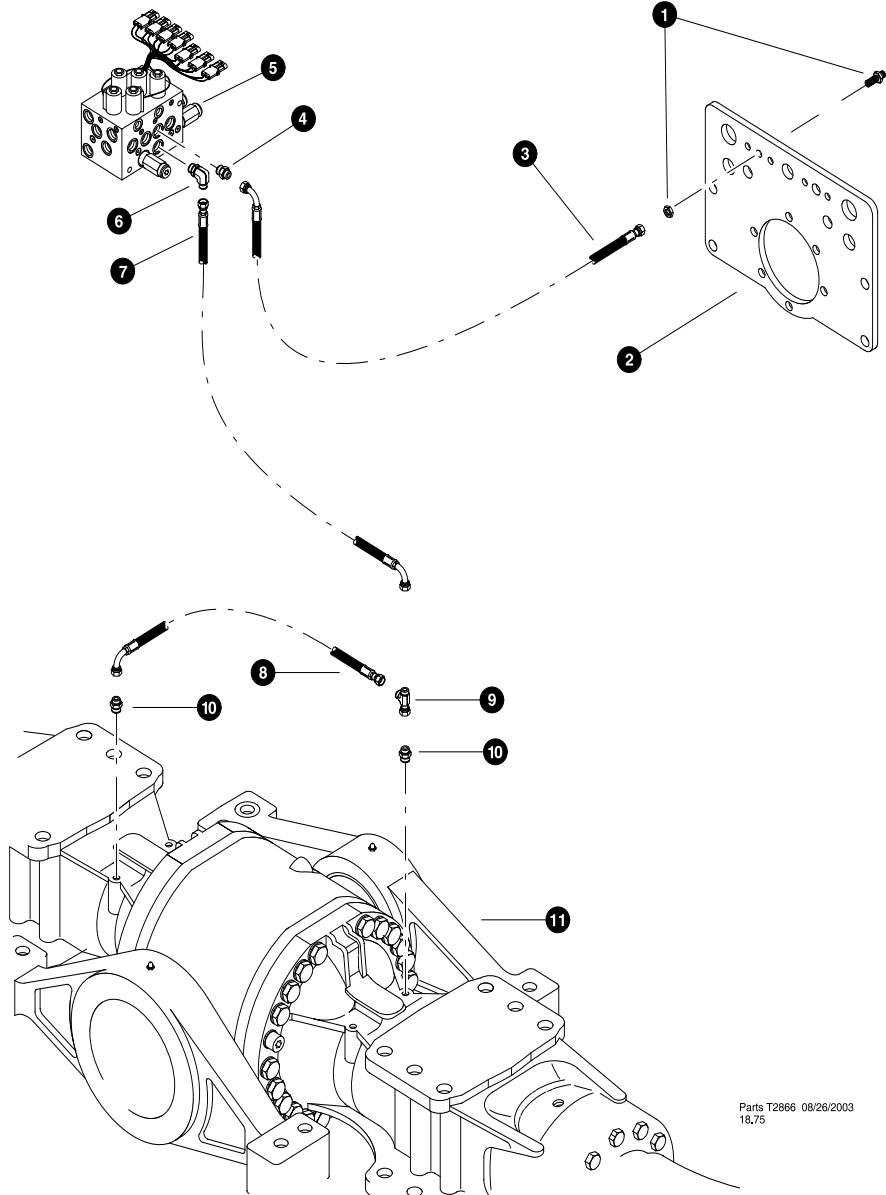
See referenced page for component or assembly breakdown.



LOWER MONO-BLOCK HYDRAULICS
(Pressure Circuit)

REF	PART #	QTY	DESCRIPTION	SEE SECTION
1	50420-HR	1	CONNECTOR, STR BULKHEAD - 06	
2	Ref	1	BRACKET, BEARING MOUNT	HR-1
3	50432-HR	1	HOSE ASSEMBLY - 4099-06-060S-060S (<i>Bulkhead to mono block "P" port</i>)	
4	REF.	1	LOWER MONO BLOCK	HR-4
5	17646-HR	1	ELBOW, 45 - 0406	

See referenced page for component or assembly breakdown.

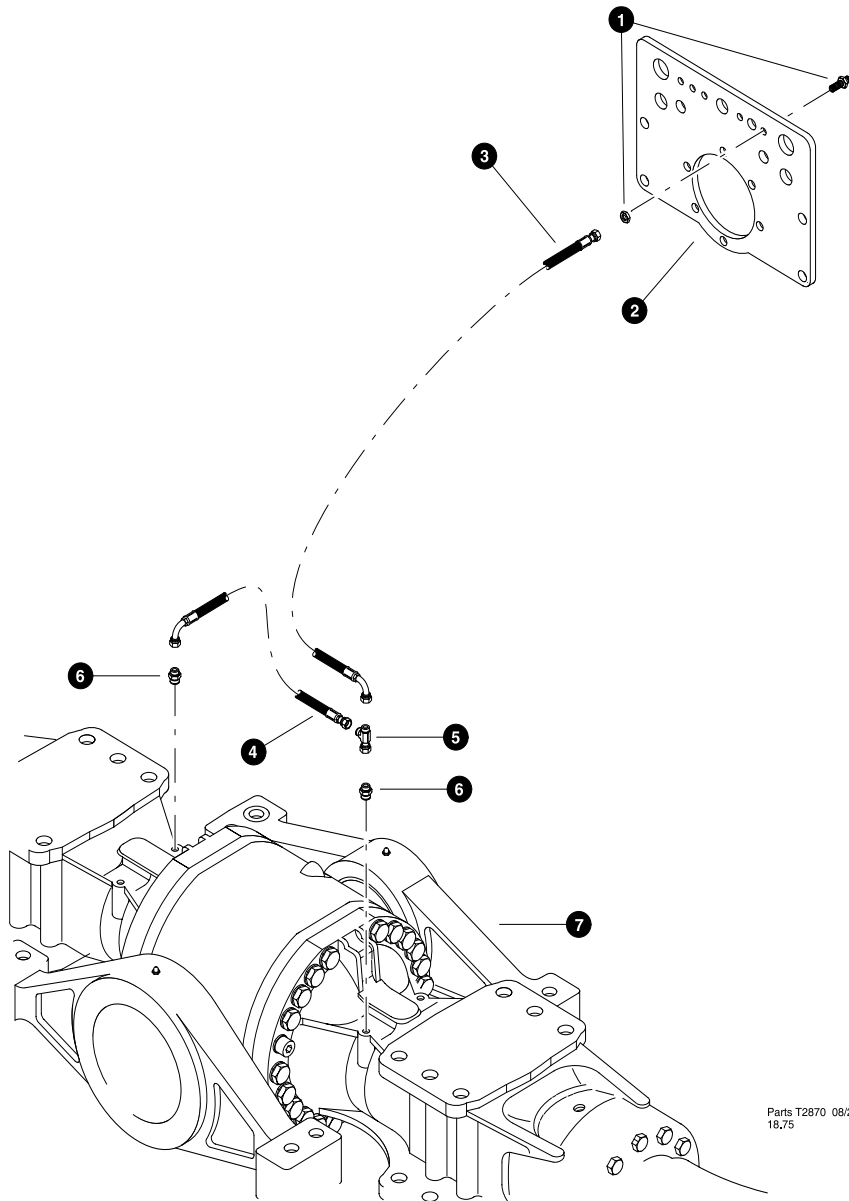


Parts T2866 08/26/2003
18.75

LOWER MONO-BLOCK HYDRAULICS
(Parking Brake Circuit)


REF	PART #	QTY	DESCRIPTION	SEE SECTION
1	18582-HR	1	CONNECTOR, STR BULKHEAD 04	
2	Ref	1	BRACKET, BEARING MOUNT	HR-1
3	50304-HR	1	HOSE ASSEMBLY - 2101-04-04OS-04O9 (PB port to bulkhead)	
4	15124-HR	1	CONNECTOR, STR. - 0406	
5	REF.	1	LOWER MONO-BLOCK	HR-4
6	15133-HR	1	ELBOW, 90 - 0406	
7	50568-HR	1	HOSE ASSEMBLY - 2036-04-04OS-04O9 ("PB" port to rear axel "P" port)	
8	50349-HR	1	HOSE ASSEMBLY - 2037-04-04OS-04O9 (PB Brake jumper)	
9	15176-HR	2	TEE - 04	
10	19470-HR	2	CONNECTOR, STR 04-14m	
11	REF.	1	REAR AXEL ASSEMBLY	AX-2

See referenced page for component or assembly breakdown.

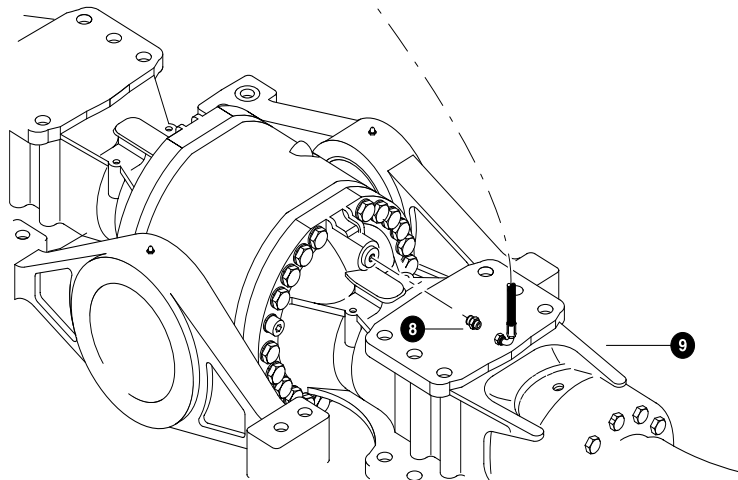
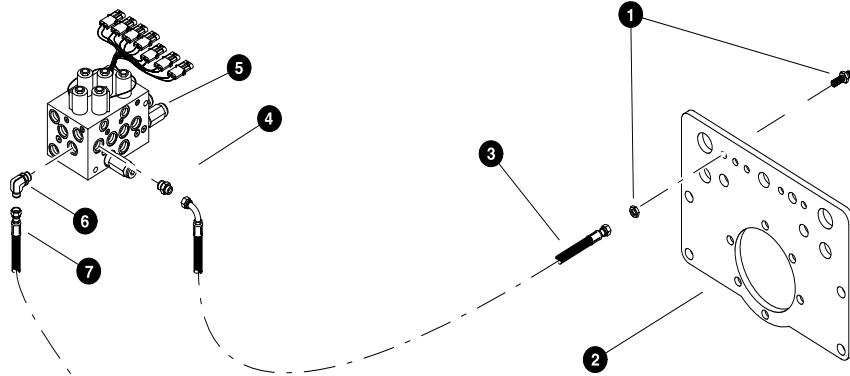


Parts T2870 08/26/2003
18,75

LOWER MONO-BLOCK HYDRAULICS
(Travel Brake Circuit)

REF	PART #	QTY	DESCRIPTION	SEE SECTION
1	18582-HR	1	CONNECTOR, STR BULKHEAD 04	
2	Ref	1	BRACKET, BEARING MOUNT	HR-1
3	50604-HR	1	HOSE ASSEMBLY - 2110-04-04OS-04O9 (rear axel to TB bulkhead)	
4	50349-HR	1	HOSE ASSEMBLY - 2037-04-04OS-04O9 (PB Brake jumper)	
-	80816-HR	1	PLATE, BULKHEAD	
5	15176-HR	2	TEE - 04	
6	19470-HR	2	CONNECTOR, STR 04-14m	
7	REF.	1	 REAR AXEL ASSEMBLY	AX-2

 See referenced page for component or assembly breakdown.

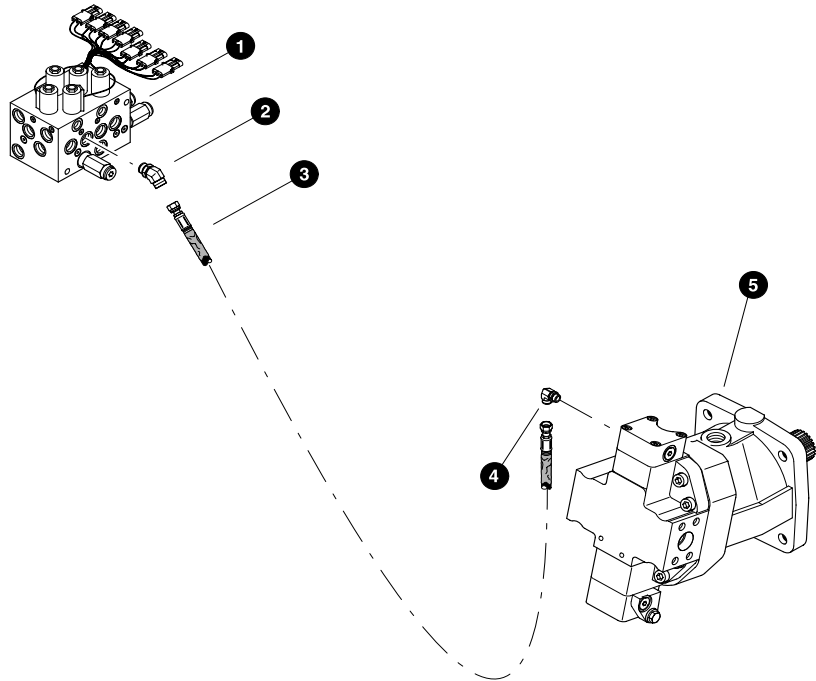


Parts T2867 08/26/2003
18.75

LOWER MONO-BLOCK HYDRAULICS
(Differential Lock Circuit)

REF	PART #	QTY	DESCRIPTION	SEE SECTION
1	18582-HR	1	CONNECTOR, STR BULKHEAD 04	
2	Ref	1	BRACKET, BEARING MOUNT	HR-1
3	50304-HR	1	HOSE ASSEMBLY - 2101-04-04OS-04O9 (<i>DL port to bulkhead</i>)	
4	15124-HR	1	CONNECTOR, STR. - 0406	
5	REF.	1	LOWER MONO-BLOCK	HR-4
6	15133-HR	1	ELBOW, 90 - 0406	
7	50568-HR	1	HOSE ASSEMBLY - 2036-04-04OS-04O9 (<i>"DL" port to rear axel</i>)	
8	19470-HR	2	CONNECTOR, STR 04-14m	
9	REF.	1	REAR AXEL ASSEMBLY	AX-2

See referenced page for component or assembly breakdown.

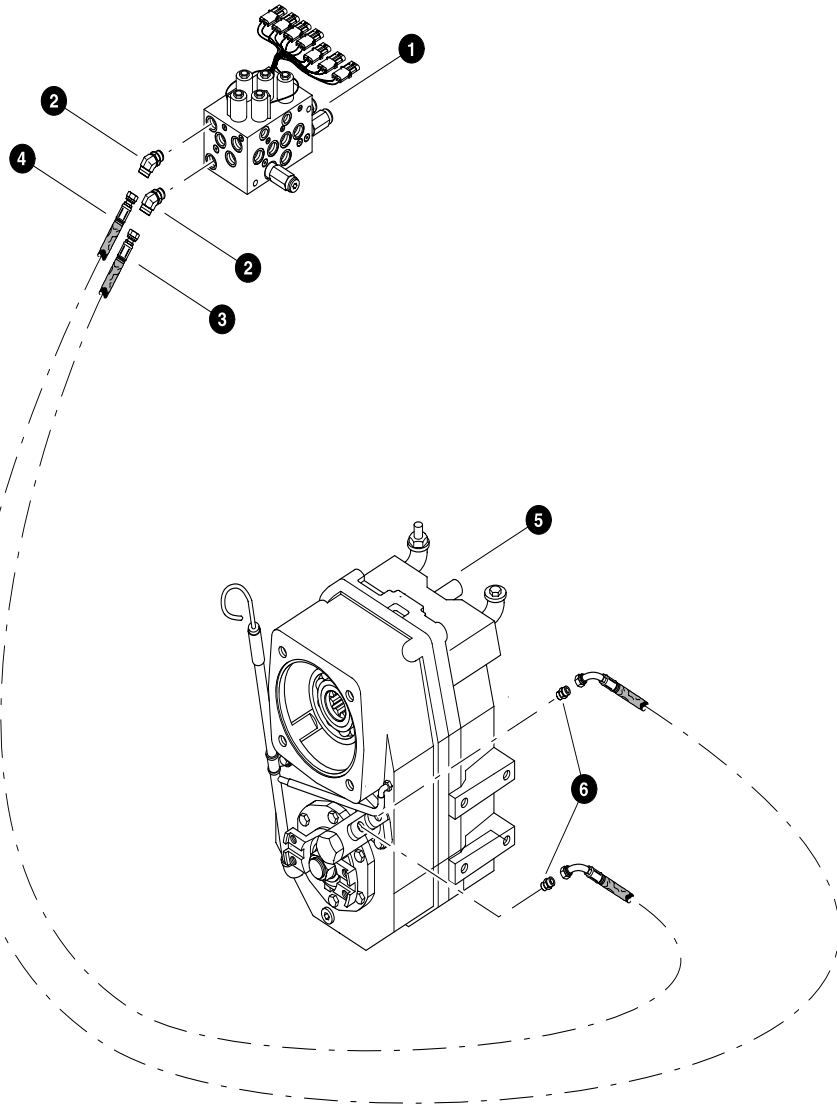


Parts T2868 08/26/2003
18.75

LOWER MONO-BLOCK HYDRAULICS
(Motor Shift Circuit)

REF	PART #	QTY	DESCRIPTION	SEE SECTION
1	REF.	1	LOWER MONO-BLOCK	HR-4
2	17646-HR	1	ELBOW, 45 V50LOS 0406	
3	50574-HR	1	HOSE ASSEMBLY - 2034-04-04OS-04OS (<i>MS port to drive motor</i>)	
4	15133-HR	2	ELBOW, 90 - FF1868T 0406	
5	REF.	1	WHEEL DRIVE MOTOR	HR-4

See referenced page for component or assembly breakdown.



LOWER MONO-BLOCK HYDRAULICS
(GearBox Shift Circuit)

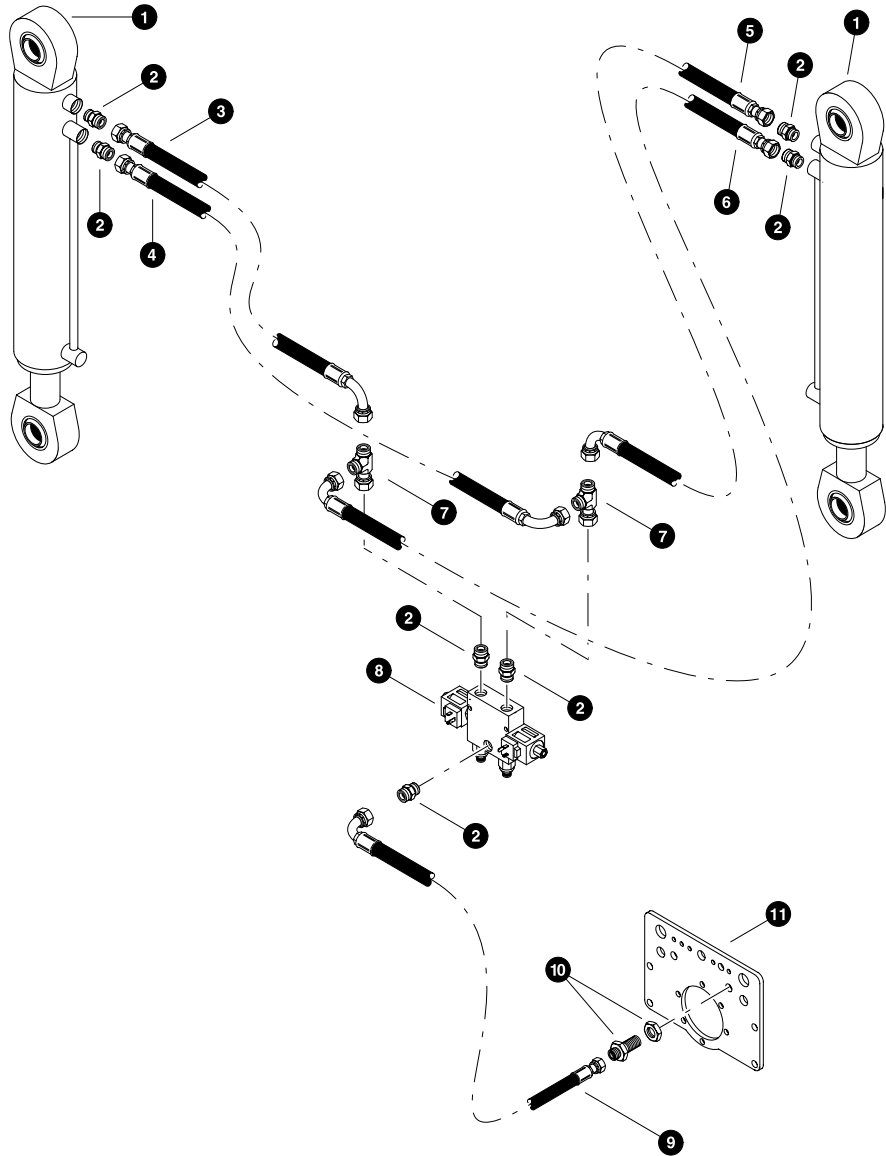
(NAF 2-Speed GearBox)

REF	PART #	QTY	DESCRIPTION	SEE SECTION
1	REF.	1	LOWER MONO-BLOCK	HR-4
2	17646-HR	2	ELBOW, 45 V50LOS 0406	
3	50425-HR	1	HOSE ASSEMBLY - 2053-04-04OS-04O9 (GB port to GearBox)	
4	50570-HR	1	HOSE ASSEMBLY - 2056-04-04OS-04O9 (GA port to GearBox))	
5	REF.	1	GEARBOX ASSEMBLY,	AX-2
6	19470-HR	2	CONNECTOR, STR 04-14m	

See referenced page for component or assembly breakdown.

Last Updated - 06/01/2003

620 Rear Frame - Hydraulics



Parts T2872 08/26/03
18,75

T620-E Parts Module HR-51103

HR-3-19

620 Rear Frame - Hydraulics

Last Updated - 06/01/2003

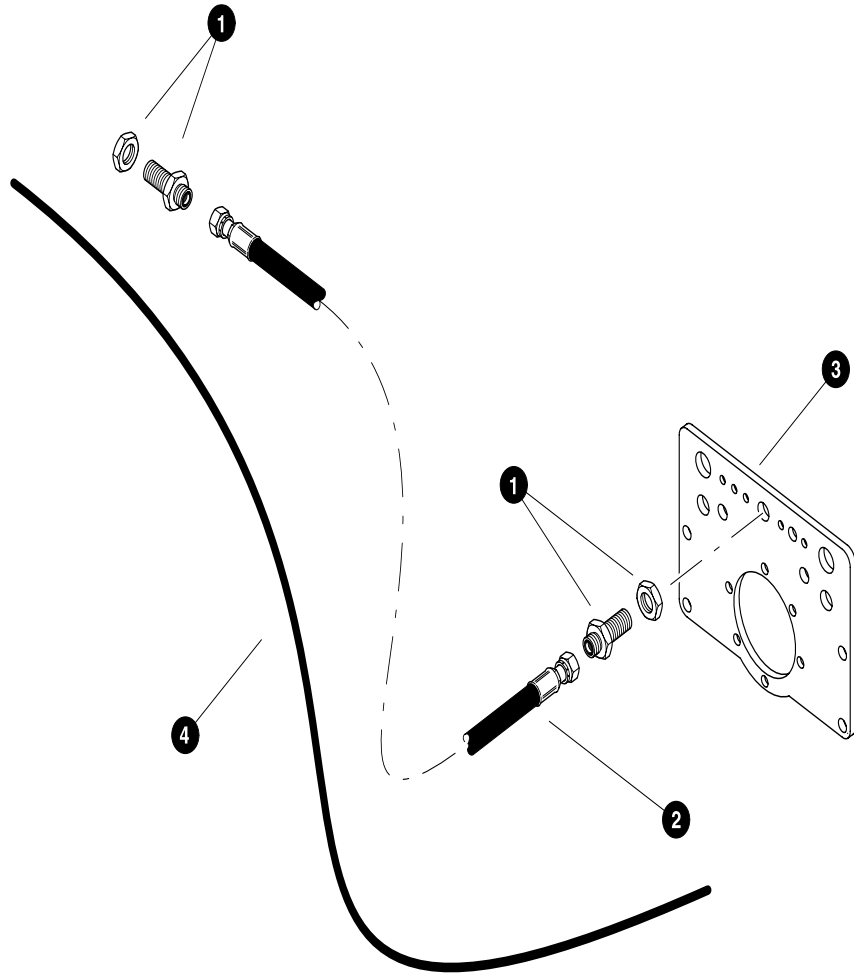
FRAME LOCK CIRCUIT

REF	PART #	QTY	DESCRIPTION	SEE SECTION
1	REF.	1	☐ FRAME LOCK CYLINDERS	HR-4
2	15117-HR	1	CONNECTOR, STR. FF1852T - 0808	
3	50912-HR	1	HOSE ASSEMBLY - 4027-08-08OS-08O9 (Frame lock valve to cylinder)	
4	50912-HR	1	HOSE ASSEMBLY - 4027-08-08OS-08O9 (Frame lock valve to cylinder)	
5	50912-HR	1	HOSE ASSEMBLY - 4027-08-08OS-08O9 (Frame lock valve to cylinder)	
6	50912-HR	1	HOSE ASSEMBLY - 4027-08-08OS-08O9 (Frame lock valve to cylinder)	
7	20066-HR	1	TEE, SWIVEL BRANCH - 08	
8	REF.	1	FRAME LOCK VALVE	HR-4
9	50439-HR	1	HOSE ASSEMBLY - 4067-08-08OS-08O9 (Frame lock valve to bulkhead)	
10	20196-HR	1	CONNECTOR, STR BULKHEAD - 08	
11	Ref	1	BRACKET, BEARING MOUNT	HR-1

☐ See referenced page for component or assembly breakdown.

HR-3-20

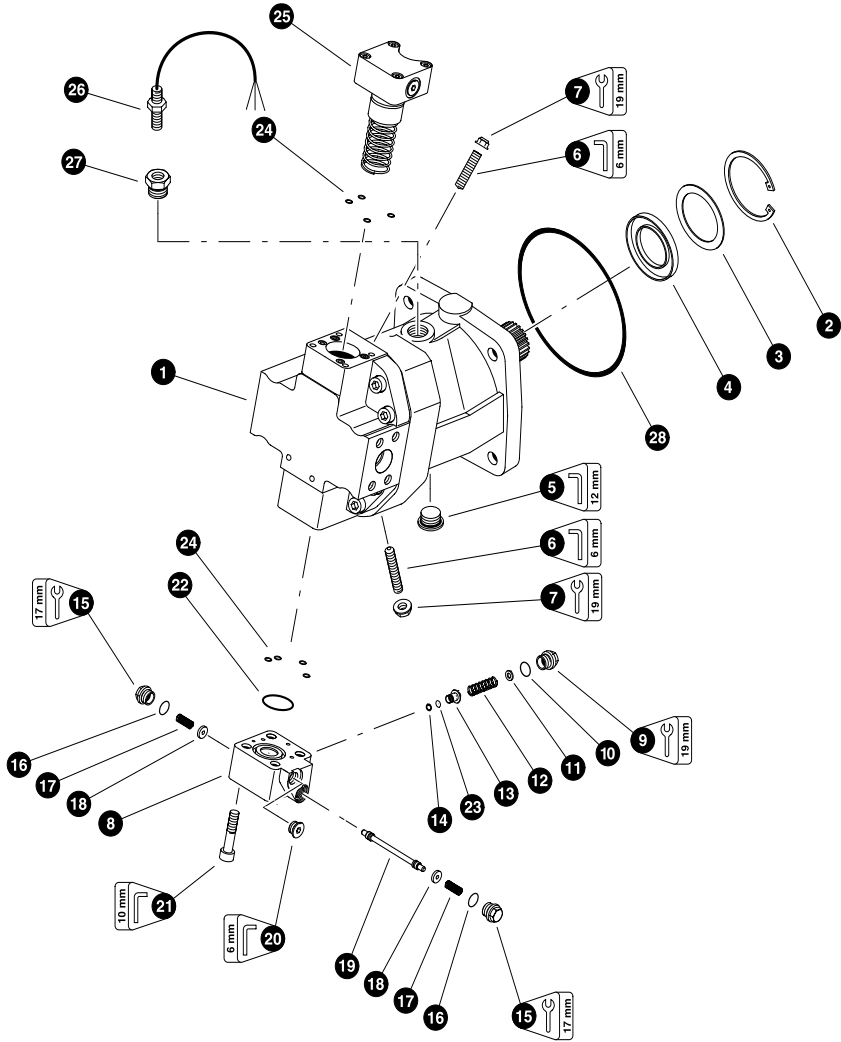
T620-E Parts Module HR-51103



ELECTRICAL HOSE

REF	PART #	QTY	DESCRIPTION	SEE SECTION
1	50037-HR	2	CONNECTOR, STR BULKHEAD - 10	
2	15327-HR	1	HOSE ASSEMBLY - 2059-10-100S-100S (Bulkhead plate to gearbox)	
3	Ref	1	BRACKET, BEARING MOUNT	HR-1
4	25123-HR		WIRE, 18ga. - 12 conductor	

See referenced page for component or assembly breakdown.



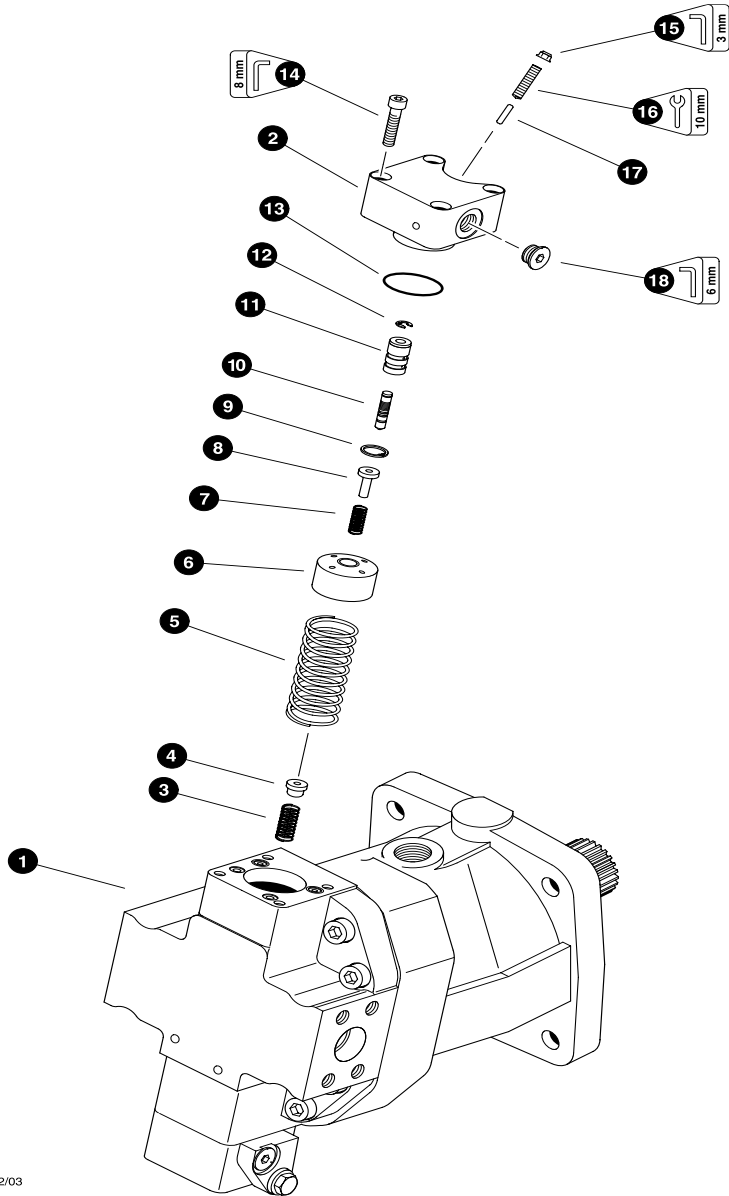
**REXROTH 160cc MOTOR
(DINN Mount)**

REF	PART #	QTY	DESCRIPTION	SEE SECTION
1	18740-HR	1	□ MOTOR, wheel drive - DINN -Rexroth AA6VM160 (Rear) (w/speed counter) (Vg Min = 70 cubic meters)	
2	20685-HR	1	RING, snap	
3	20686-HR	1	SHIM, shaft seal	
4	20687-HR	1	⊗ SEAL, shaft	
5	19692-HR	1	PLUG - 26mm-1.5P (BSPP thread)	
6	20688-HR	2	SCREW, adjusting (Displacement min & max)	
7	20689-HR	2	⊗ NUT, seal	
8	20690-HR	1	□ STROKING PISTON COVER ASSEMBLY	
9	20691-HR	1	PLUG	
10	20713-HR	1	⊗ O-RING	
11	20714-HR	1	SHIM	
12	20715-HR	1	SPRING	
13	20716-HR	1	POPPET	
14	20718-HR	1	RING, snap	
15	20719-HR	2	PLUG	
16	20720-HR	2	⊗ O-RING	
17	20721-HR	2	SPRING	
18	20722-HR	2	RETAINER, spring	
19	NSS	1	SPOOL	
20	20693-HR	1	PLUG - 14mm-1.5P (BSPP thread)	
21	20723-HR	4	BOLT, allen head	
22	20724-HR	1	⊗ O-RING	
23	20717-HR	1	ORIFICE, flushing - 1.2mm	
24	NSS	8	⊗ O-RING	
25	REF.	1	□ STROKING PISTON CONTROL ASSEMBLY.	HR-4-4
26	24656-HR	1	SENSOR, SPEED PICKUP (rexroth hydro motor)	
27	51098-HR	1	FITTING, speed pickup rexroth (sae)	
28	20967-HR	1	⊗ O-RING, WHEEL DRIVE MOTOR (gearbox pilot)	
-	20725-HR	1	□ KIT, seal repair - complete AA6VM160 motor	

- Kit or Assembly - includes all items indented underneath.
- ⊗ Included in seal repair kit Part # 20725-HR.

Note:

Due to warranty policy restrictions imposed by component suppliers, it is not recommended that the component be disassembled further than is shown in the illustration.



Parts T2811 08/12/03
37.50

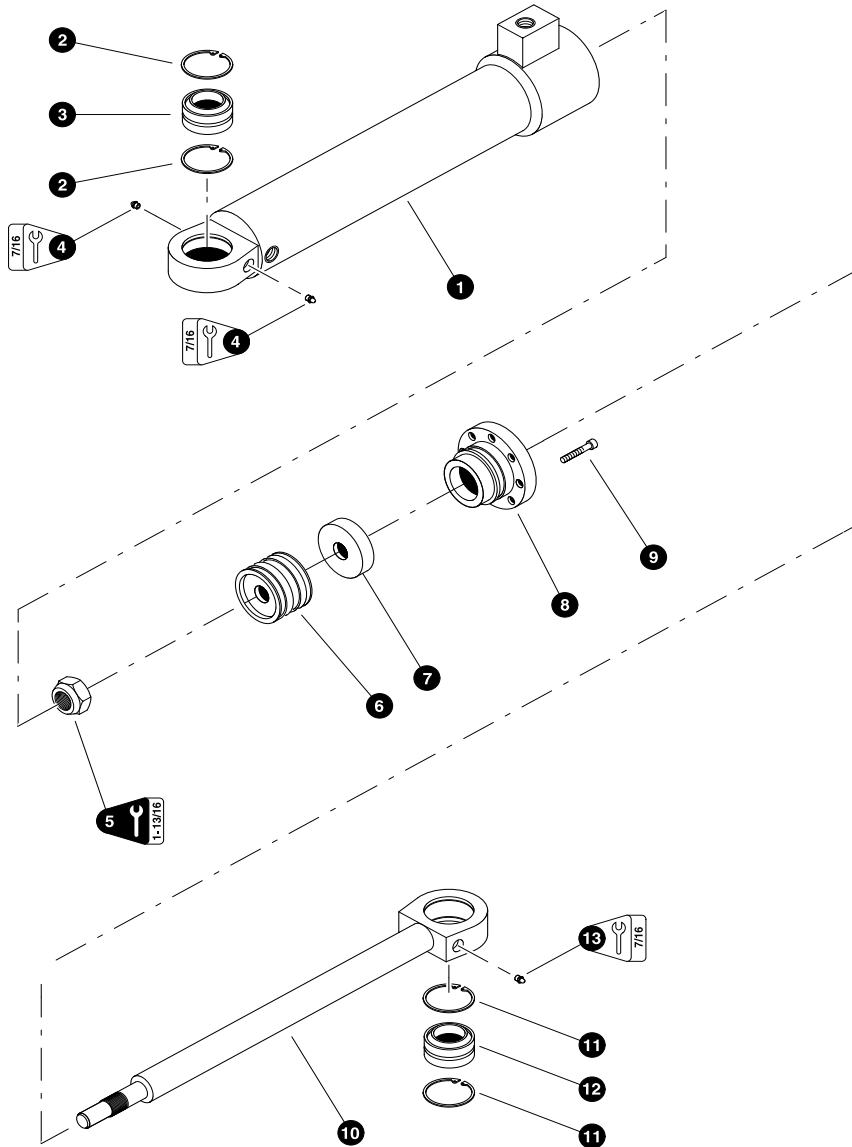
**REXROTH 160cc MOTOR
(DINN Mount)
(HA2T CONTROLLER)**

REF	PART #	QTY		DESCRIPTION	SEE SECTION
1	18740-HR	1	☐	MOTOR, wheel drive - DINN -Rexroth AA6VM160 (Rear) (w/speed counter) (Vg Min = 70 cubic meters)	
2	20726-HR	1	☐	CONTROL, MOTOR STROKE ASSEMBLY (HA2T)	
3	---	1		SPRING, (HU00444549)	
4	---	1		RETAINER, spring (HU00421860)	
5	---	1		SPRING (HU00651116)	
6	---	1		BUSHING, spring (HU00651118)	
7	20729-HR	1		SPRING	
8	---	1		RETAINER, spring (HU00921351)	
9	20731-HR	1		RING, snap	
10	---	1		SPOOL, control (HU00430748)	
11	20732-HR	1		BUSHING, control spool	
12	20734-HR	1		E-CLIP, control spo	
13	---	1	⌘	O-RING (68103-025)	
14	---	4		BOLT, allen head (60118-063)	
15	20737-HR	1	⌘	NUT, seal	
16	20738-HR	1		SCREW, adjusting (Stroke control)	
17	---	1		PIN, stroke adjustment (69116-019)	
18	20693-HR	1		PLUG - 14mm-1.5P (BSPP thread)	
-	20725-HR	1		KIT, seal repair - complete AA6VM160 motor	

- ☐ Kit or Assembly - includes all items indented underneath.
- ⌘ Included in seal repair kit Part # 20725-HR.

Note:

Due to warranty policy restrictions imposed by component suppliers, it is not recommended that the component be disassembled further than is shown in the illustration.

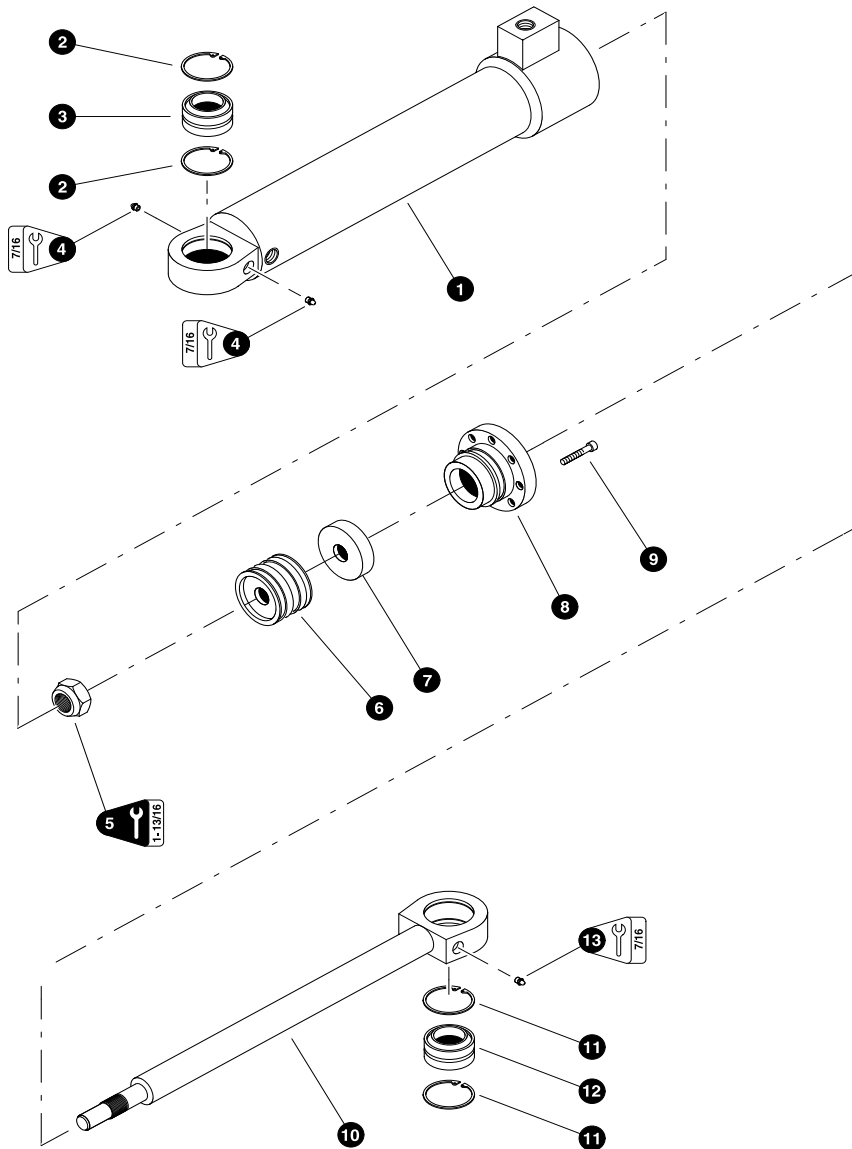


T2810 08/11/03
18,75

STEER CYLINDER (Ram Rod)

REF	PART #	QTY	DESCRIPTION	SEE SECTION
-	50003-HR	2	<input type="checkbox"/> STEER CYLINDER ASSEMBLY	
1	50242-HR	1	<input type="checkbox"/> BARREL ASSEMBLY	
2	19916-HR	2	RING, snap	
3	19917-HR	1	BUSHING, spherical - 2"	
4	10704-HR	1	FITTING, straight grease - 1/8" pipe thread	
5	- - -	1	NUT, cylinder rod - 1-1/4" (<i>Torque to 770 ft-lbs.</i>) (712005)	
6	50244-HR	1	PISTON	
7	50245-HR	1	PISTON EXTENTION	
8	50246-HR	1	BEARING, rod	
9	- - -	14	BOLT - 3/8 X 1 3/4" (<i>Torque to 20 ft-lbs.</i>) (711073)	
10	50243-HR	1	<input type="checkbox"/> ROD ASSEMBLY	
11	19916-HR	2	RING, snap	
12	19917-HR	1	BUSHING, spherical - 2"	
13	10704-HR	1	FITTING, straight grease - 1/8" pipe thread	
-	50247-HR	1	KIT, seal repair - steer cylinder	

Kit or Assembly - includes all items indented underneath.

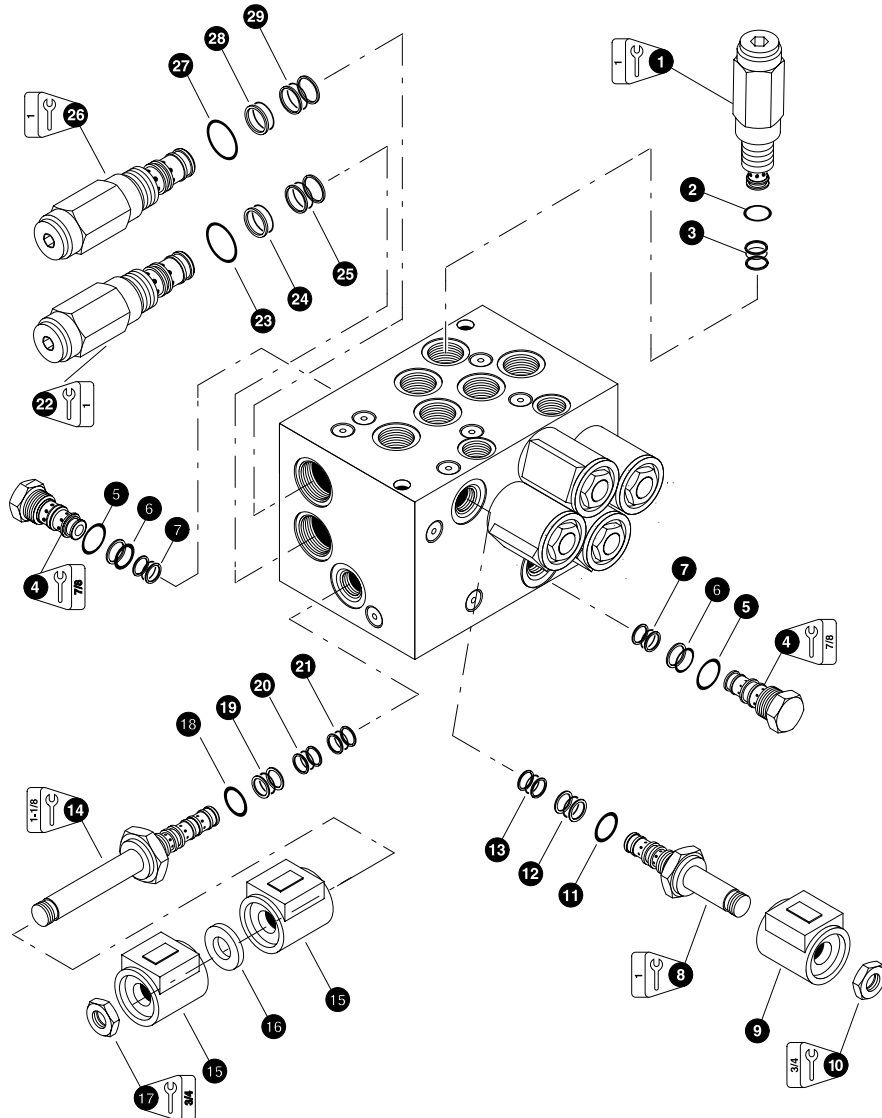


T2810 08/11/03
18,75

**STEER CYLINDER
(Ram Rod)
(2 1/4 " Rod)
(used on machines built after 02/01/04)**

REF	PART #	QTY	DESCRIPTION	SEE SECTION
-	51348-FR	2	<input type="checkbox"/> STEER CYLINDER ASSEMBLY	
1	50242-FR	1	<input type="checkbox"/> BARREL ASSEMBLY	
2	19916-FR	2	RING, snap	
3	19917-FR	1	BUSHING, spherical - 2"	
4	10704-FR	1	FITTING, straight grease - 1/8" pipe thread	
5	---	1	NUT, cylinder rod - (712038)	
6	-FR	1	PISTON (410619)	
7	-FR	1	PISTON EXTENTION	
8	-FR	1	BEARING, rod (510671)	
9	---	14	BOLT - 3/8 X 1 3/4" (Torque to 20 ft-lbs.) (711073)	
10	-FR	1	<input type="checkbox"/> ROD ASSEMBLY (300740)	
11	19916-FR	2	RING, snap	
12	19917-FR	1	BUSHING, spherical - 2"	
13	10704-FR	1	FITTING, straight grease - 1/8" pipe thread	
-	51407-FR	1	KIT, seal repair - steer cylinder	

Kit or Assembly - includes all items indented underneath.



LOWER MONO BLOCK BREAKDOWN

REF	PART #	QTY	DESCRIPTION	SEE SECTION
-	50377-FF	1	☐ MANIFOLD, lower solenoid - 24V	
1	50451-FF	1	CARTRIDGE, relief valve RV1 (RV08-20H-0-N-9/5)	
2	NSS	1	⊗ O-RING, body	
3	NSS	1	⊗ SEALS, chamber	
4	24071-FF	2	☐ CARTRIDGE, check valve (PC08-30-0-N-25)	
5	NSS	1	◆ O-RING, body	
6	NSS	1	◆ SEALS, chamber (Large)	
7	NSS	1	◆ SEALS, chamber (Small)	
8	24072-FF	5	☐ CARTRIDGE, solenoid valve - 24V Motor Shift, Diff lock, Frame Lock, and Parking Brake (SV07-31-0-N-24DW)	
9	23622-FF	1	COIL - 24V (Green harness wires)	
10	NSS	1	NUT	
11	NSS	1	■ O-RING, body	
12	NSS	1	■ SEALS, chamber (Large)	
13	NSS	1	■ SEALS, chamber (Small)	
14	24074-FF	4	☐ CARTRIDGE, solenoid valve - 24V Gear Box Shift (SV08-47D-0-N-24DW)	
15	23622-FF	2	COIL - 24V (Green harness wires)	
16	NSS	1	SPACER, coil	
17	NSS	1	NUT	
18	NSS	1	● O-RING, body	
19	NSS	1	● SEALS, chamber (Large)	
20	NSS	1	● SEALS, chamber (Medium)	
21	NSS	1	● SEALS, chamber (Small)	
22	24075-FF	1	☐ CARTRIDGE, relief valve PR1 (PR10-31H-0-N-06.5/4.0)	
23	NSS	1	○ O-RING, body	
24	NSS	1	○ SEALS, chamber (Large)	
25	NSS	1	○ SEALS, chamber (Small)	
26	24076-FF	1	☐ CARTRIDGE, relief valve PR2 (PR10-31H-0-N-35/8.0)	
27	NSS	1	○ O-RING, body	
28	NSS	1	○ SEALS, chamber (Large)	
29	NSS	1	○ SEALS, chamber (Small)	
-	50452-FF	1	KIT, seal repair - relief valve cartridge (RV-08)	
-	24083-FF	1	KIT, seal repair - check valve cartridge	
-	20288-FF	1	KIT, seal repair - solenoid valve cartridge (SV07)	
-	24084-FF	1	KIT, seal repair - solenoid valve cartridge (SV08)	
-	24085-FF	1	KIT, seal repair - relief valve cartridge	

☐ Kit or Assembly - includes all items indented underneath.

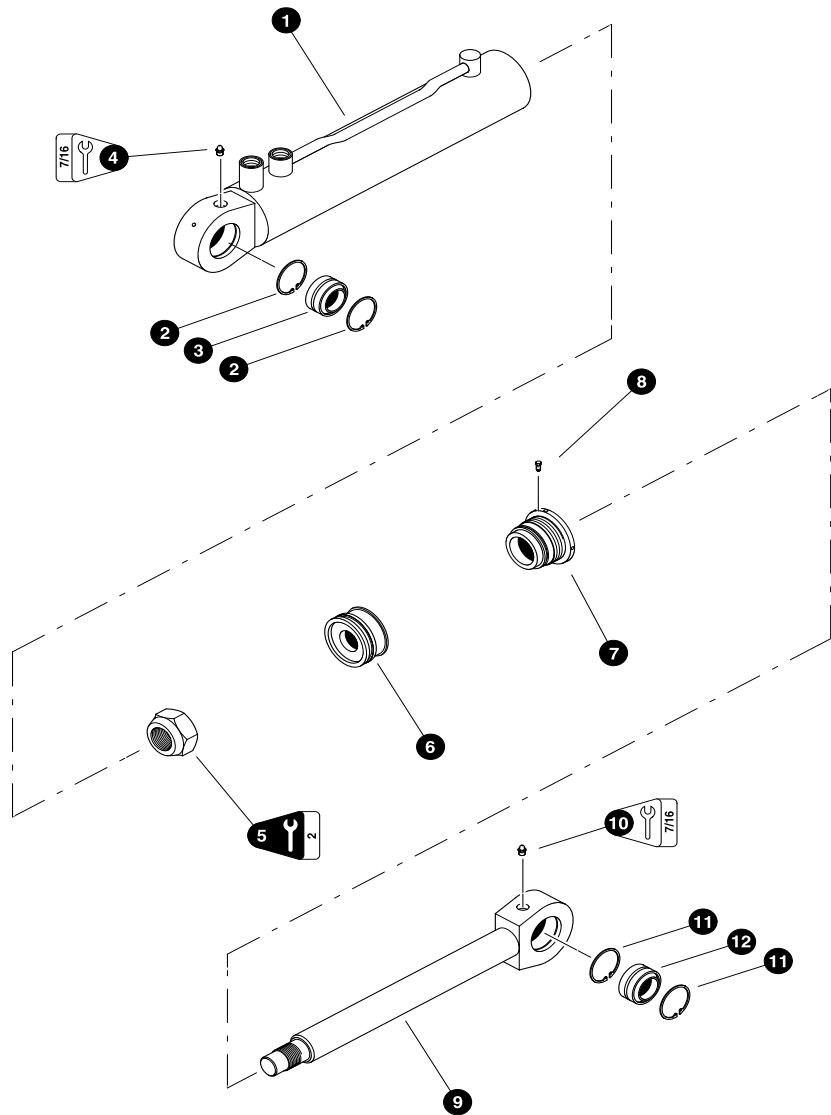
⊗ Included in seal repair kit Part # 50452-FF.

◆ Included in seal repair kit Part # 24083-FF.

■ Included in seal repair kit Part # 20288-FF.

● Included in seal repair kit Part # 24084-FF.

○ Included in seal repair kit Part # 24085-FF.



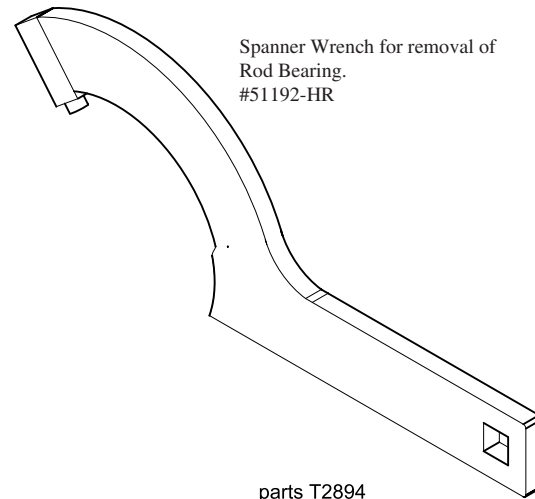
FRAME LOCK CYLINDER (Ram Rod)

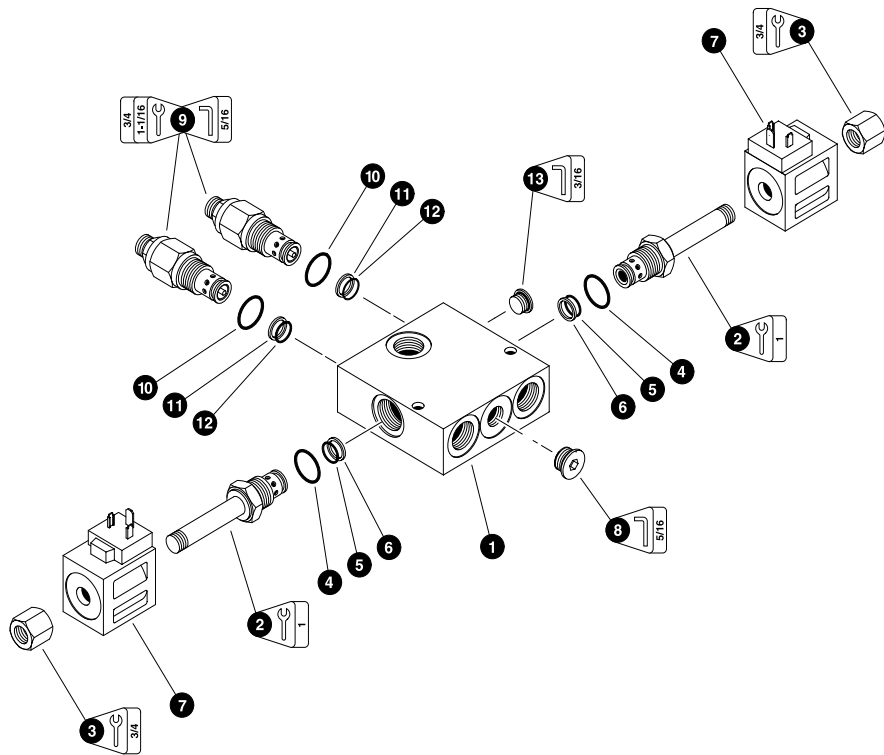
REF	PART #	QTY	DESCRIPTION	SEE SECTION
-	50490-HR	2	<input type="checkbox"/> FRAME LOCK CYLINDER ASSEMBLY	
1	51140-HR	1	<input type="checkbox"/> BARREL ASSEMBLY	
2	19916-HR	2	RING, snap (716003)	
3	19917-HR	1	BUSHING, spherical - 2" (720005)	
4	10704-HR	1	FITTING, straight grease - 1/8" pipe thread	
5	- - -	1	NUT, cylinder rod - 1-1/4" (Torque to 770 ft-lbs.) (712005)	
6	51143-HR	1	PISTON	
7	51142-HR	1	BEARING, rod (see note #1)	
8	- - -	1	SCREW, SELF TAPPING (711004)	
9	51141-HR	1	<input type="checkbox"/> ROD ASSEMBLY	
10	10704-HR	1	FITTING, straight grease - 1/8" pipe thread	
11	19916-HR	2	RING, snap (716003)	
12	19917-HR	1	BUSHING, spherical - 2" (720005)	
-	51144-HR	1	KIT, seal repair - axel lock cylinder	

Kit or Assembly - includes all items indented underneath.

Note #1

Threads should be thoroughly cleaned and dry. Install lubricated Anti-seize before assembly. Torque head until fully seated against barrel. Increase torque by 100 ft-lbs and apply final torque. Drill and tap #8-32nc X .25 deep between head flange and barrel for locking screw.





FRAME LOCK VALVE

REF	PART #	QTY	DESCRIPTION	SEE SECTION
-	18865-HR	1	□ VALVE, frame lock	
1	NSS	1	BODY	
2	20597-HR	2	□ CARTRIDGE, solenoid - 24V	
3	NSS	1	NUT	
4	NSS	1	⊗ O-RING - body	
5	NSS	1	⊗ O-RING - chamber	
6	NSS	1	⊗ RING, back-up - chamber	
7	22554-HR	1	COIL, solenoid - 24V	
8	18949-HR	1	□ PLUG - 6408-HHP-8	
	20321-HR	1	O-RING, ORB - #8	
9	20598-HR	2	□ CARTRIDGE, relief	
10	NSS	1	◆ O-RING - body	
11	NSS	1	◆ RING, back-up - chamber	
12	NSS	1	◆ O-RING - chamber	
13	11383-HR	1	□ PLUG - 6408-HHP-4	
	20319-HR	1	O-RING, ORB - #4	
-	20599-HR	1	KIT, seal repair - solenoid cartridge	
-	20600-HR	1	KIT, seal repair - relief cartridge	

- Kit or Assembly - includes all items indented underneath.
- ⊗ Included in seal repair kit Part # 20599.
- ◆ Included in spring capsule kit Part # 20600.

