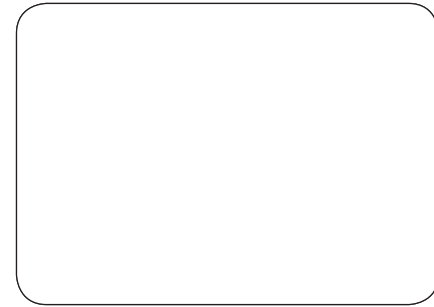
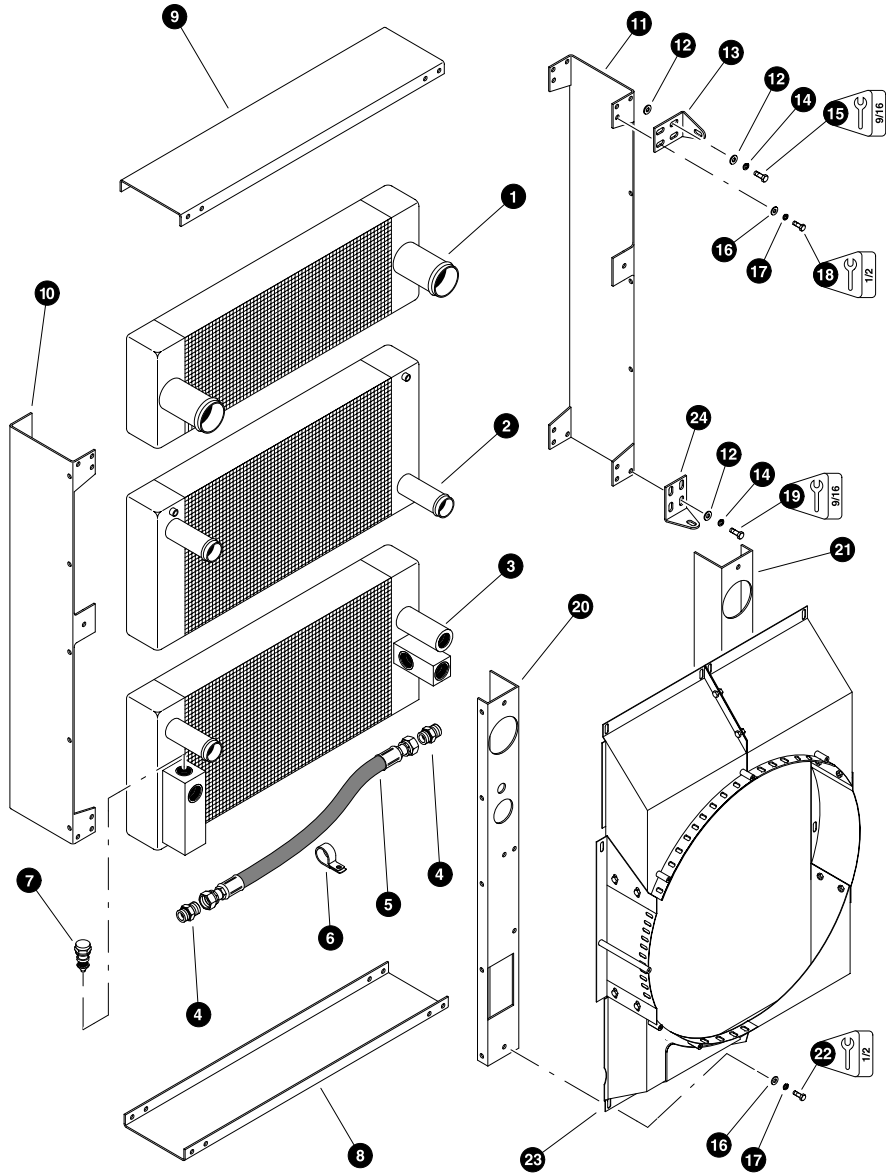


Section JD-1



John Deere 6068 Engine Installation Cooling System

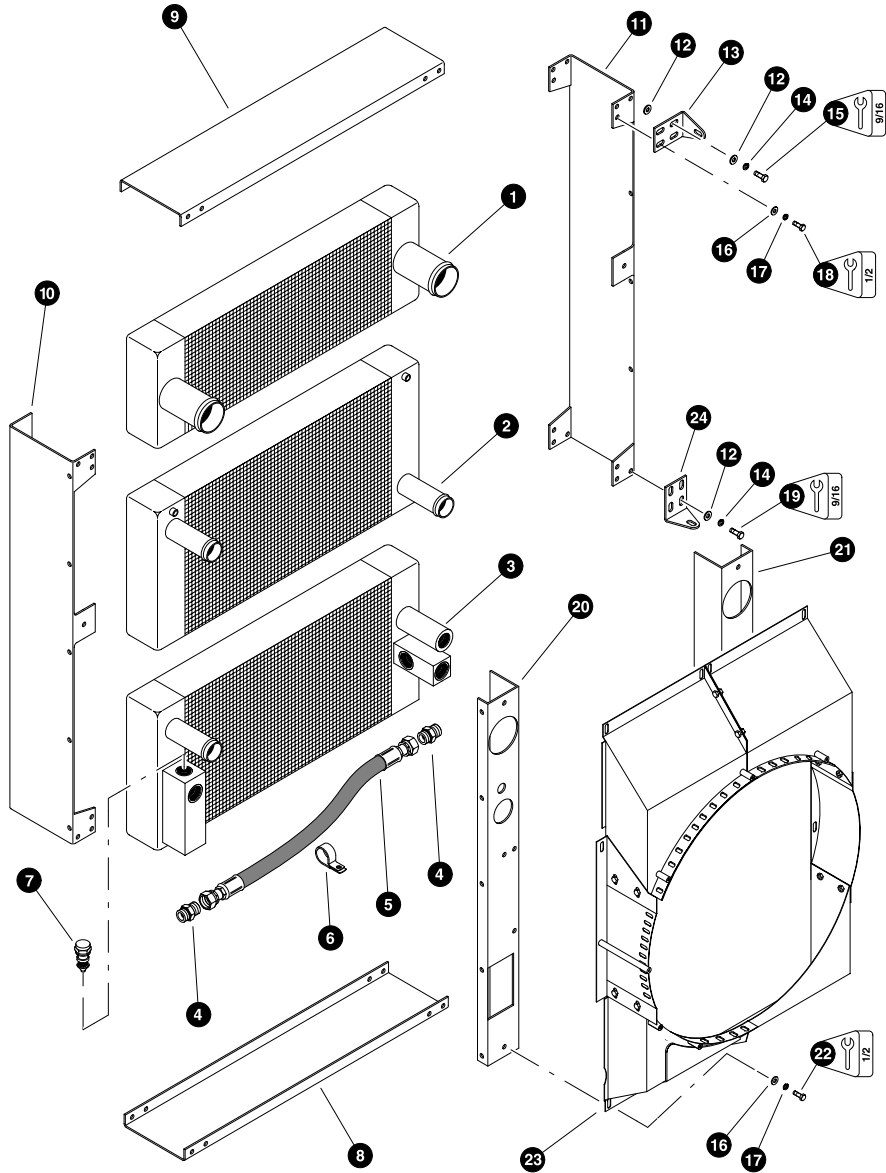


Parts 02334 08/09/2001
12.50

RADIATOR/OIL & COOLER ASSEMBLY
(Charge Air - 1-1/2" Ports)
(machine built before 01/01/04)

REF	PART #	QTY	DESCRIPTION	SEE SECTION
-	22703-JD	1	RADIATOR / OIL COOLER ASSEMBLY	
1	24657-JD	1	AIR COOLER ASSEMBLY	
2	24658-JD	1	RADIATOR ASSEMBLY	
3	24659-JD	1	OIL COOLER ASSEMBLY	
4	22319-JD	1	CONNECTOR, straight - thermal bypass	
5	24660-JD	1	HOSE ASSEMBLY - thermal bypass	
6	17257-JD	1	CLAMP, coated hose - 1-1/2"	
7	22491-JD	1	VALVE, thermal bypass	
8	24661-JD	1	BRACKET, frame - bottom (3/4" Stud)	
9	24662-JD	1	BRACKET, frame - top	
10	24663-JD	1	BRACKET, frame - side (LH)	
11	24664-JD	1	BRACKET, frame - side (RH)	
12	10802-JD	30	Washer, flat - 3/8"	
13	14340-JD	2	BRACKET, mounting top	
14	10701-JD	26	WASHER, lock - 3/8"	
15	10402-JD	4	BOLT - 3/8" X 1-1/4"	
16	10801-JD	14	WASHER, flat - 5/16"	
17	15606-JD	2	WASHER, lock - 5/16"	
18	10822-JD	2	BOLT - 5/16" X 1-1/4"	
19	11707-JD	22	BOLT - 3/8" X 1"	
20	24665-JD	1	CHANNEL, support - side (LH)	
21	24666-JD	1	CHANNEL, support - side (RH)	
22	15589-JD	12	BOLT - 5/16" X 1"	
23	REF	1	FAN SHROUDS JD-1	
24	40911-JD	2	BRACKET, mounting bottom	

See referenced page for component or assembly breakdown.

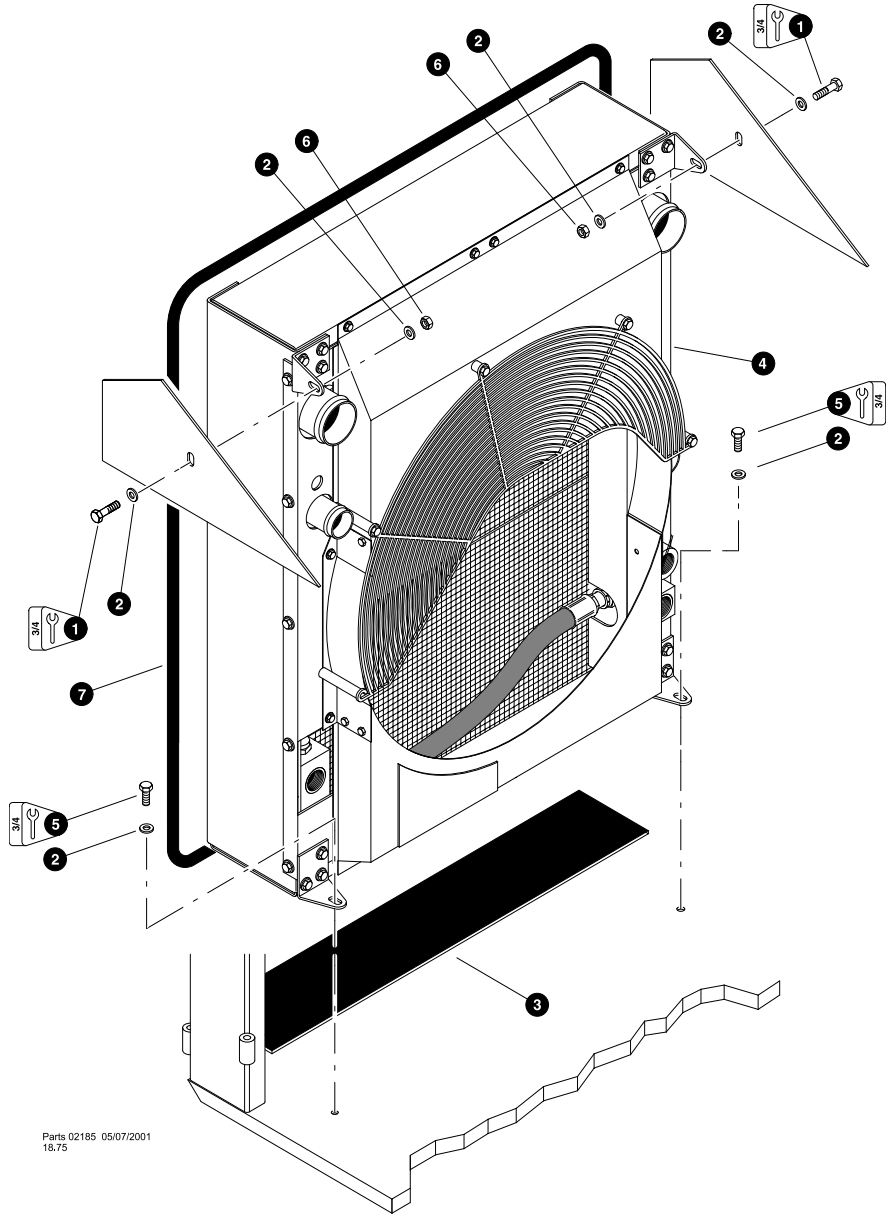


Parts 02334 08/09/2001
12.50

RADIATOR/OIL & COOLER ASSEMBLY
(Charge Air - 1-1/2" Ports)
(machine built after 01/01/04)

REF	PART #	QTY	DESCRIPTION	SEE SECTION
-	51329-JD	1	RADIATOR / OIL COOLER ASSEMBLY	
1	51447-JD	1	AIR COOLER ASSEMBLY	
2	24658-JD	1	RADIATOR ASSEMBLY	
3	24659-JD	1	OIL COOLER ASSEMBLY	
4	22319-JD	1	CONNECTOR, straight - thermal bypass	
5	24660-JD	1	HOSE ASSEMBLY - thermal bypass	
6	17257-JD	1	CLAMP, coated hose - 1-1/2"	
7	22491-JD	1	VALVE, thermal bypass	
8	-	1	BRACKET, frame - bottom (3746B/BSC) (No Studs)	
9	24662-JD	1	BRACKET, frame - top	
10	-	1	BRACKET, frame - side (LH) (3746B/LSC)	
11	-	1	BRACKET, frame - side (RH) (3746B/RSC)	
12	10802-JD	30	Washer, flat - 3/8"	
13	14340-JD	2	BRACKET, mounting top	
14	10701-JD	26	WASHER, lock - 3/8"	
15	10402-JD	4	BOLT - 3/8" X 1-1/4"	
16	10801-JD	14	WASHER, flat - 5/16"	
17	15606-JD	2	WASHER, lock - 5/16"	
18	10822-JD	2	BOLT - 5/16" X 1-1/4"	
19	11707-JD	22	BOLT - 3/8" X 1"	
20	-	1	CHANNEL, support - side (LH) (3746B/LCA)	
21	-	1	CHANNEL, support - side (RH) (3746B/RCA)	
22	15589-JD	12	BOLT - 5/16" X 1"	
23	REF	1	FAN SHROUDS JD-1	
24	40911-JD	2	BRACKET, mounting bottom	

See referenced page for component or assembly breakdown.

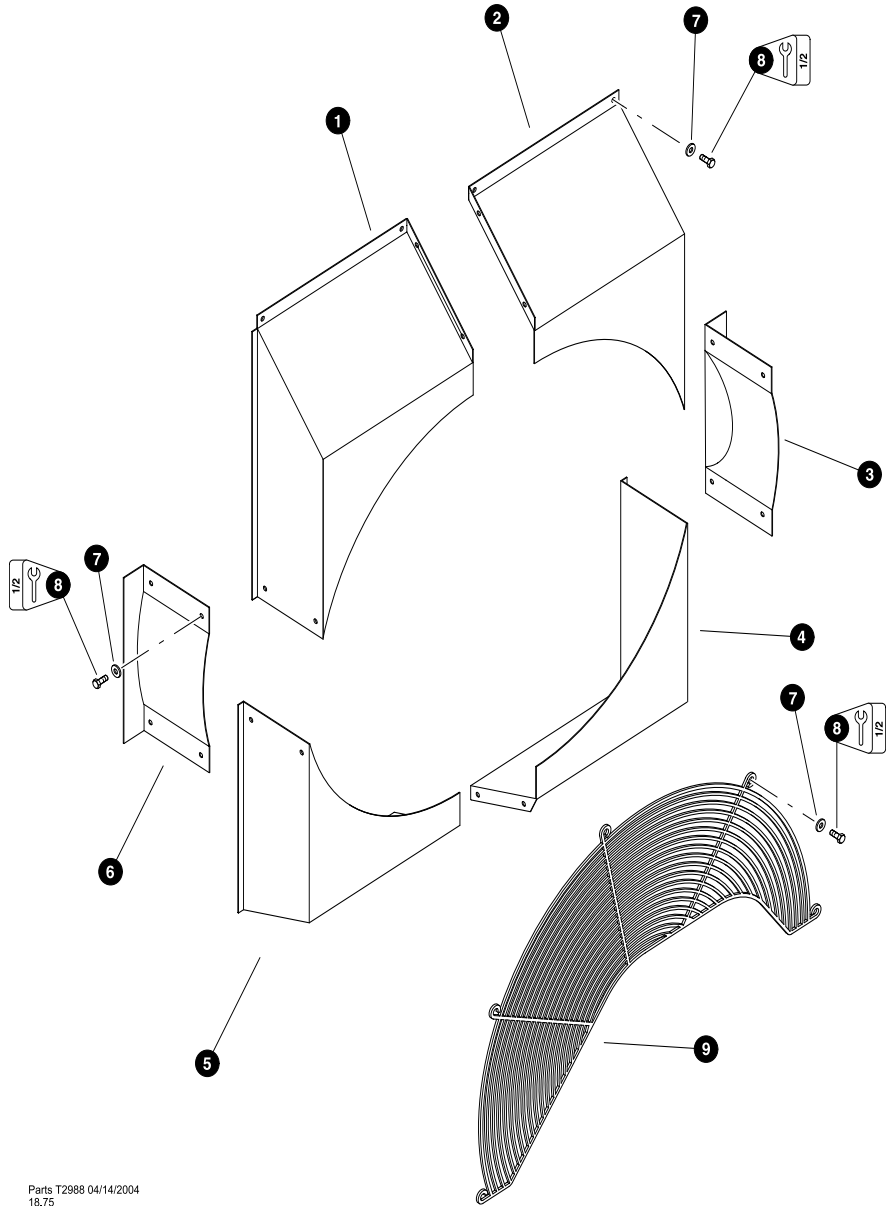


Parts 02185 05/07/2001
18.75

RADIATOR COOLER INSTALLATION (machine built after 01/01/04)

REF	PART #	QTY	DESCRIPTION	SEE SECTION
1	10739-JD	2	BOLT - 1/2" X 1-1/2"	
2	15534-JD	6	WASHER, SAE flat - 1/2"	
3	51442-JD	1	SPACER, rubber radiator/oil cooler	
4	REF	1	RADIATOR/OIL COOLER ASSEMBLY JD-1	
5	10739-JD	2	BOLT - 1/2" X 1-1/2"	
6	10815-JD	2	NUT, lock - 1/2"	
7	16717-JD	AR	HOSE, heater - 5/8"	

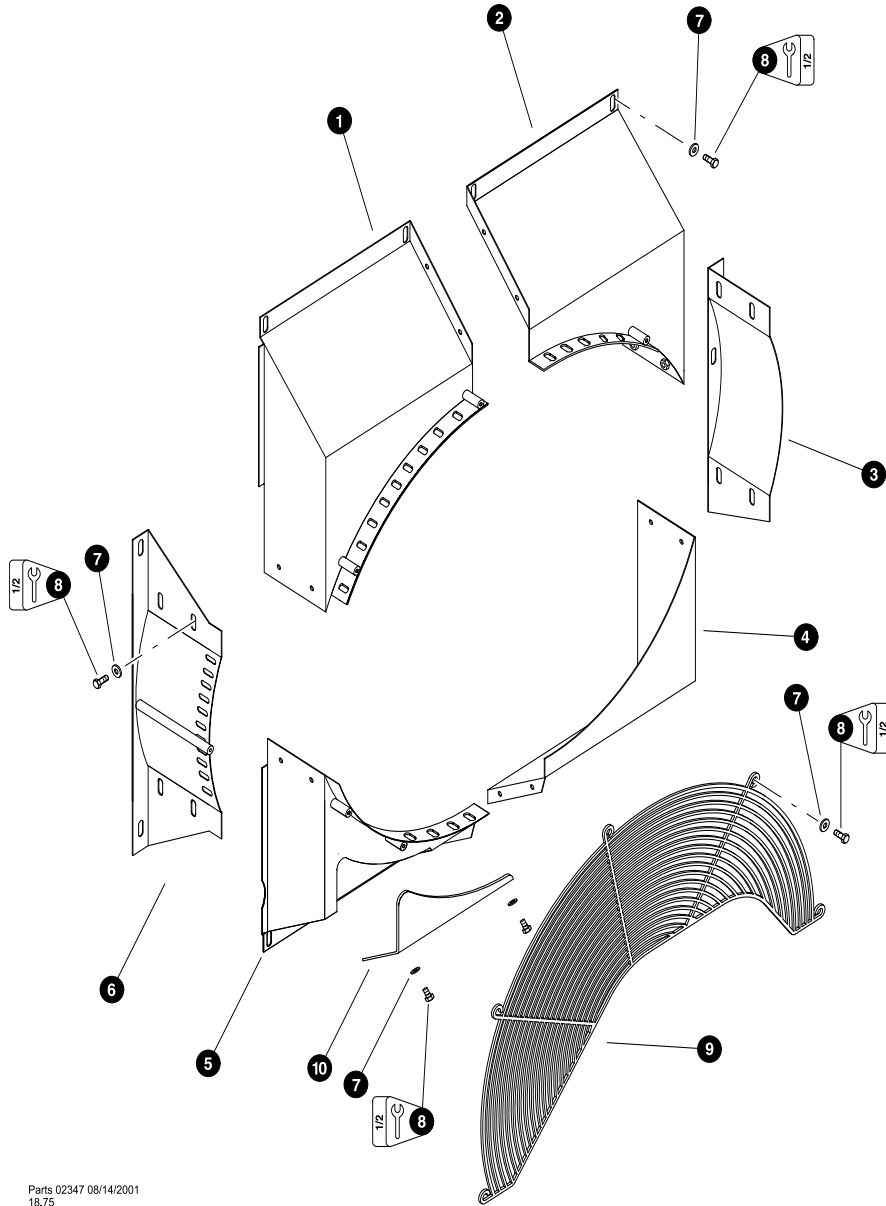
See referenced page for component or assembly breakdown.



Parts T2988 04/14/2004
18,75

FAN SHROUDS
(John Deere 6068)
(reversing fan)
(machines built before 01/01/04)

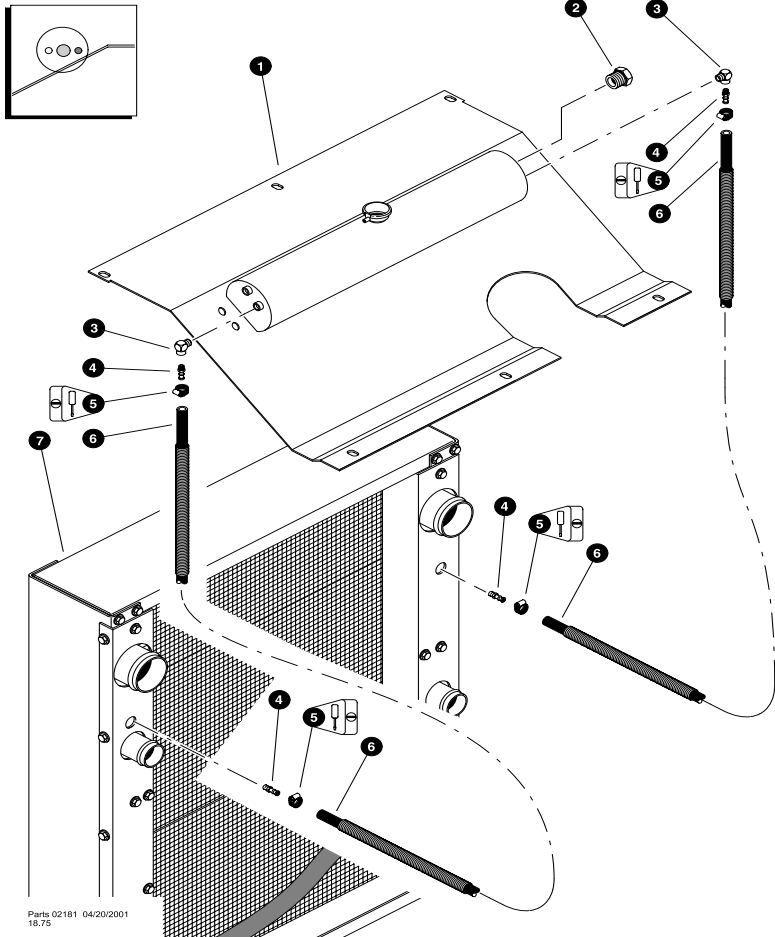
REF	PART #	QTY	DESCRIPTION	SEE SECTION
-	51205-JD	1	FAN SHROUD KIT (31" [79CM] diameter engine fan)	
1	51206-JD	1	SHROUD, radiator - upper left	
2	51207-JD	1	SHROUD, radiator - upper right	
3	51208-JD	1	SHROUD, radiator - side right	
4	51209-JD	1	SHROUD, radiator - lower right	
5	51210-JD	1	SHROUD, radiator - lower left	
6	51211-JD	1	SHROUD, radiator - side left	
7	10801-JD	26	WASHER, flat - 5/16"	
8	15589-JD	26	BOLT - 5/16" X 1"	
9	24638-JD	1	GUARD, FAN - air to air radiator	



Parts 02347 08/14/2001
18,75

FAN SHROUDS
(John Deere 6068)
(reversing fan)
(machine built after 01/01/04)

REF	PART #	QTY	DESCRIPTION	SEE SECTION
-	51366-JD	1	FAN SHROUD KIT (31" [79CM] diameter engine fan)	
1	51370-JD	1	SHROUD, radiator - upper left	
2	51369-JD	1	SHROUD, radiator - upper right	
3	51371-JD	1	SHROUD, radiator - side right	
4	51373-JD	1	SHROUD, radiator - lower right	
5	51374-JD	1	SHROUD, radiator - lower left	
6	51372-JD	1	SHROUD, radiator - side left	
7	10801-JD	28	WASHER, flat - 5/16"	
8	15589-JD	28	BOLT - 5/16" X 1"	
9	24638-JD	1	GUARD, FAN - air to air radiator	
10	51362-JD	1	COVER, radiator clean out	



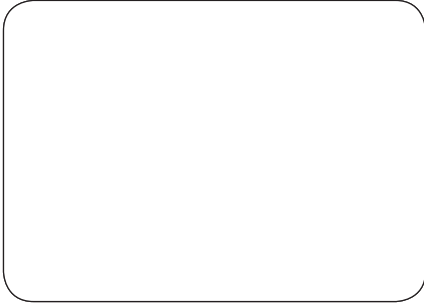
**OVER FLOW TANK LINES
(Radiator to Overflow)**

REF	PART #	QTY	DESCRIPTION	SEE SECTION
1	REF	1	MUFFLER PANEL	UP-1
2	24308-JD	1	SIGHT, glass	
3	16251-JD	2	ELBOW, 90	
4	16989-JD	4	CONNECTOR, straight hose barb - 4245-5-2	
5	16202-JD	4	CLAMP, hose - worm style - 5/16"	
6	16238-JD	AR	HOSE, fuel line - 5/8"	
7	REF	1	RADIATOR/OIL COOLER ASSEMBLY	JD-1

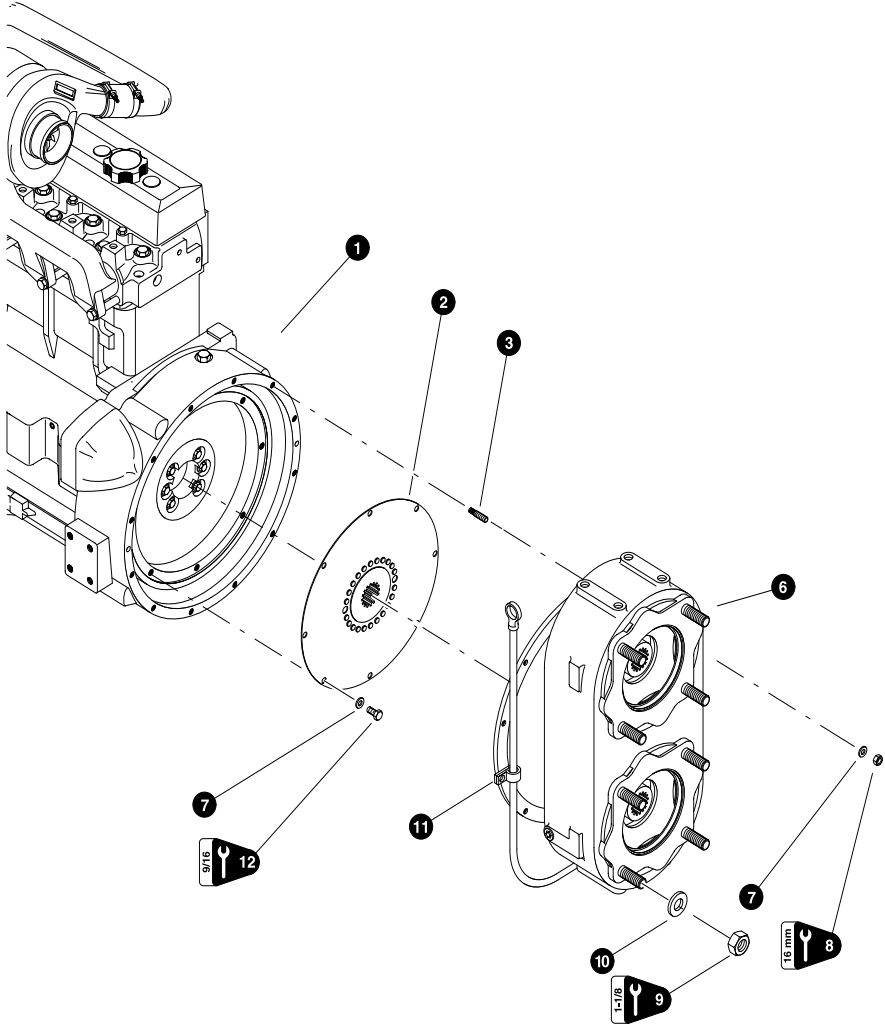
See referenced page for component or assembly breakdown.

THIS PAGE LEFT BLANK FOR NOTES

Section JD-2



Engine & Transmission - Pump Drive Transmission



PUMP DRIVE TRANSMISSION INSTALLATION
(Funk)
(machines built after 03/02/03)

REF	PART #	QTY	DESCRIPTION	SEE SECTION
1	REF.	1	ENGINE - John Deere 6.8L.....	JD-3
2	REF.	1	DRIVE PLATE	JD-2
3	15531-JD	12	STUD, threaded - 10mm x 45mm (See Note #1 below)	
4	23557-JD	1	BREATHER	
5	16808-JD	1	BUSHING, reducer - 5406-8-2	
6	REF.	1	PUMP DRIVE TRANSMISSION	JD-2
7	15528-JD	20	WASHER, SAE flat - 3/8"	
8	15530-JD	12	NUT, hex - 10mm (See Note #2 below) (Torque to 40 ft.lbs. (53 Nm))	
9	10776-JD	8	NUT, HEX 3/4	
10	15550-JD	8	WASHER, SAE 3/4	
11	16203-JD	1	CLAMP, coated 3/8	
12	15542-JD	8	BOLT - 3/8" x 3/4" (See Note #1 below) (Torque to 40 ft.lbs. (53 Nm))	

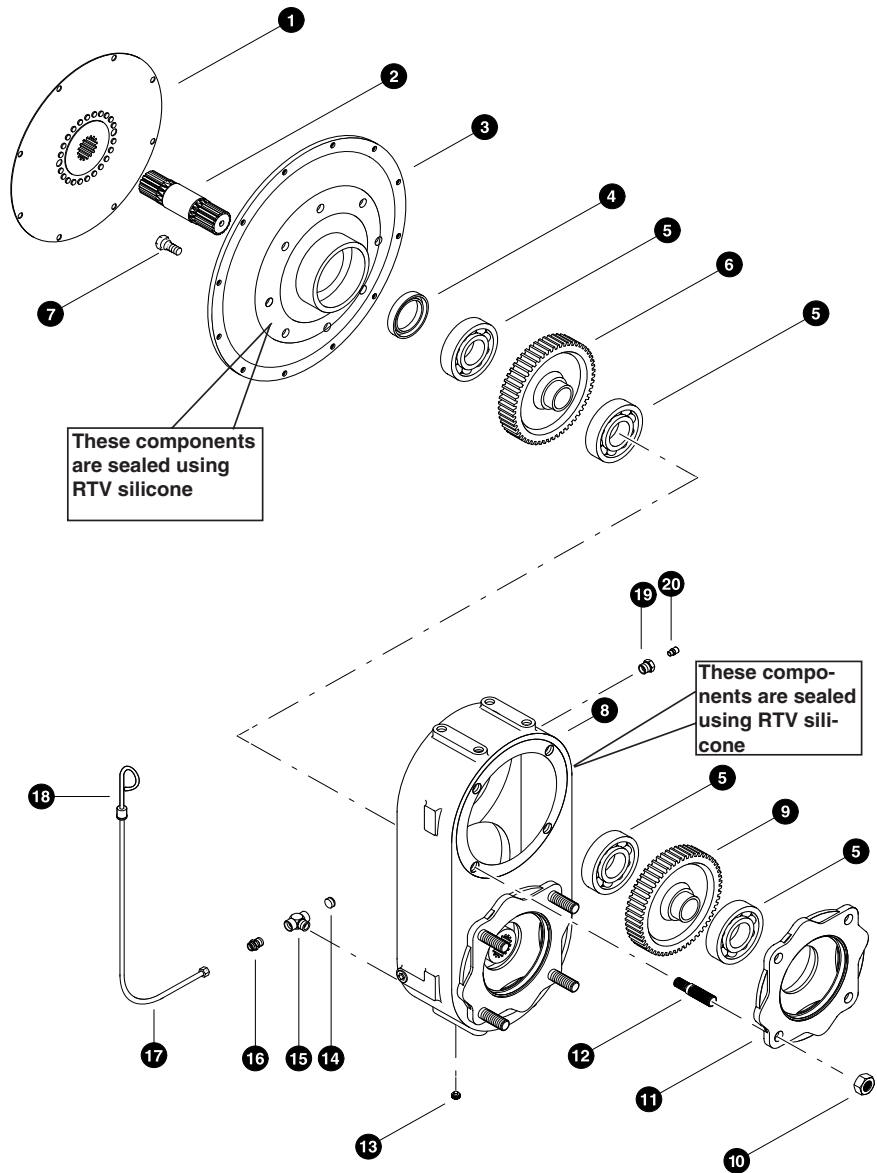
See referenced page for component or assembly breakdown.

Note #1:

Use Loctite 271 (red) during installation.

Note #2:

Use Loctite 272 (blue) during installation.



PUMP DRIVE TRANSMISSION
(Funk Dual Drive)
(machines built after 03/02/03)

REF	PART #	QTY	DESCRIPTION	SEE SECTION
-	50417-JD	1	<input type="checkbox"/> TRANSMISSION, pump drive (funk .647:1 inc) (used before 04/01/04)	
-	51404-JD	1	<input type="checkbox"/> TRANSMISSION, pump drive (funk .787:1 inc) (used after 04/01/04)	
1	16258-JD	1	DRIVE PLATE, funk	
2	----	1	DRIVE SHAFT, funk pump drive (4028060)	
3	----	1	HOUSING, flywheel mounting (4028011)	
4	----	1	SEAL, shaft (F65006)	
5	----	6	BEARING, funk pump drive (F40211)	
6	----	1	GEAR, input (4059007)	
7	----	8	BOLT, flywheel housing addapter (4003685) (see note #1)	
8	----	1	HOUSING, 2 - pump (YZ102177)	
9	----	2	GEAR, output (4028042)	
10	----	8	NUT, hex 3/4	
11	----	2	PLATE, pump adapter (4028007)	
12	----	8	STUD, adapter (40281351) (see note #2)	
13	----	1	PLUG, pipe, magnetic 1/4 (444-691-00-00-08)	
14	15585-JD	1	PLUG, pipe 1/2	
15	----	1	TEE, pipe branch 1/2 (Z12T-8-8)	
16	----	1	FITTING, 3/8 compression x 1/2 pipe (18-190)	
17	----	1	TUBE, dipstick (NE 10000)	
18	----	1	DIPSTICK, funk (RE69243)	
19	16019-JD	1	BUSHING, REDUCER - 6405-8-4	
20	----	1	BREATHER, (0-PSI) funk (F68103)	

Kit or Assembly - includes all items indented underneath.

NOTE #1

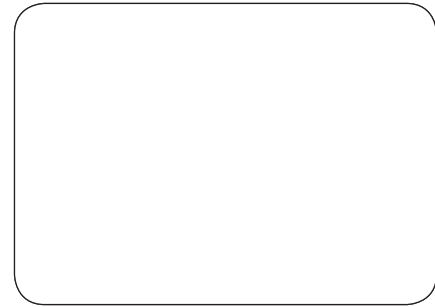
Use loctite 262 when installing bolts

NOTE #2

Apply loctite 271 to housing side before install

THIS PAGE LEFT BLANK FOR NOTES

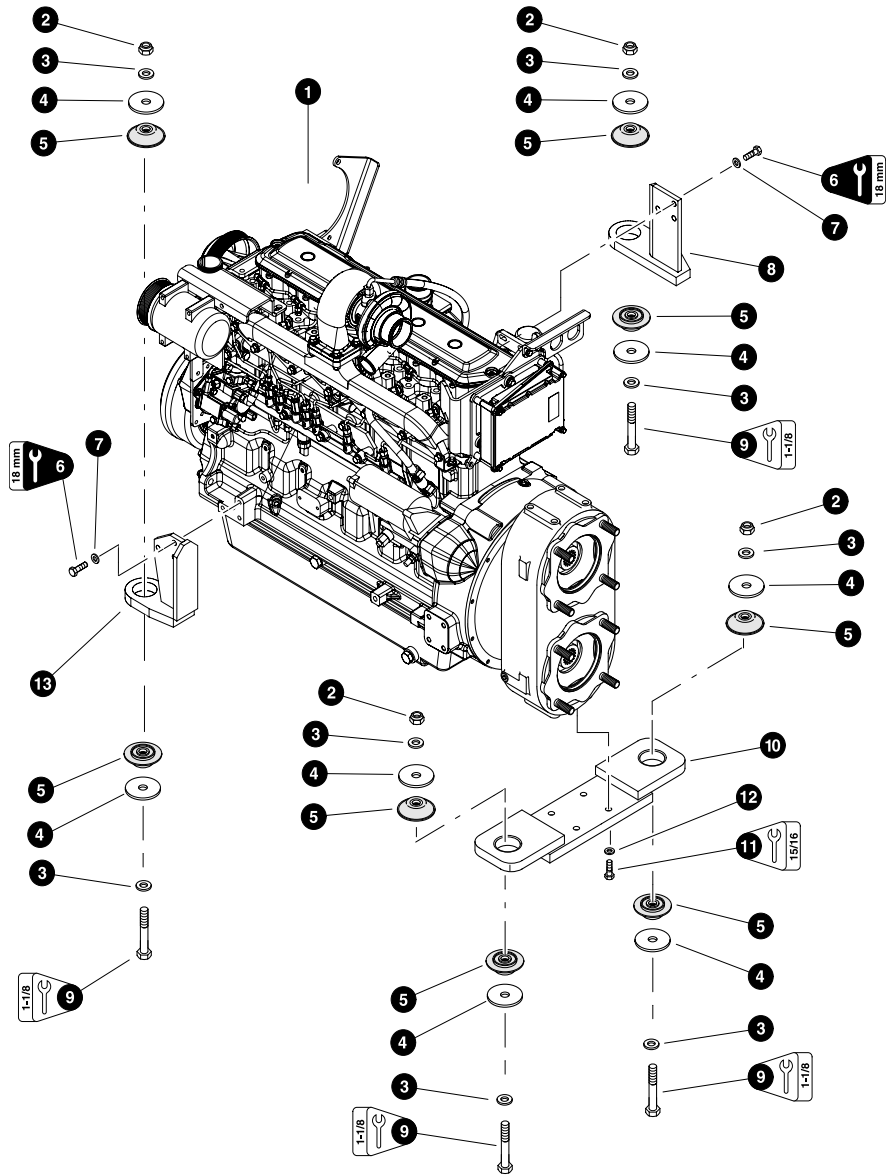
Section JD-3



Engine Installation - John Deere 6068 Electronic

Last Updated - 03/01/2004

Engine Installation - John Deere 6068



Parts T2937 11/04/2003
12.50

Parts Module JD-51240

JD-3-1

Engine Installation - John Deere 6068

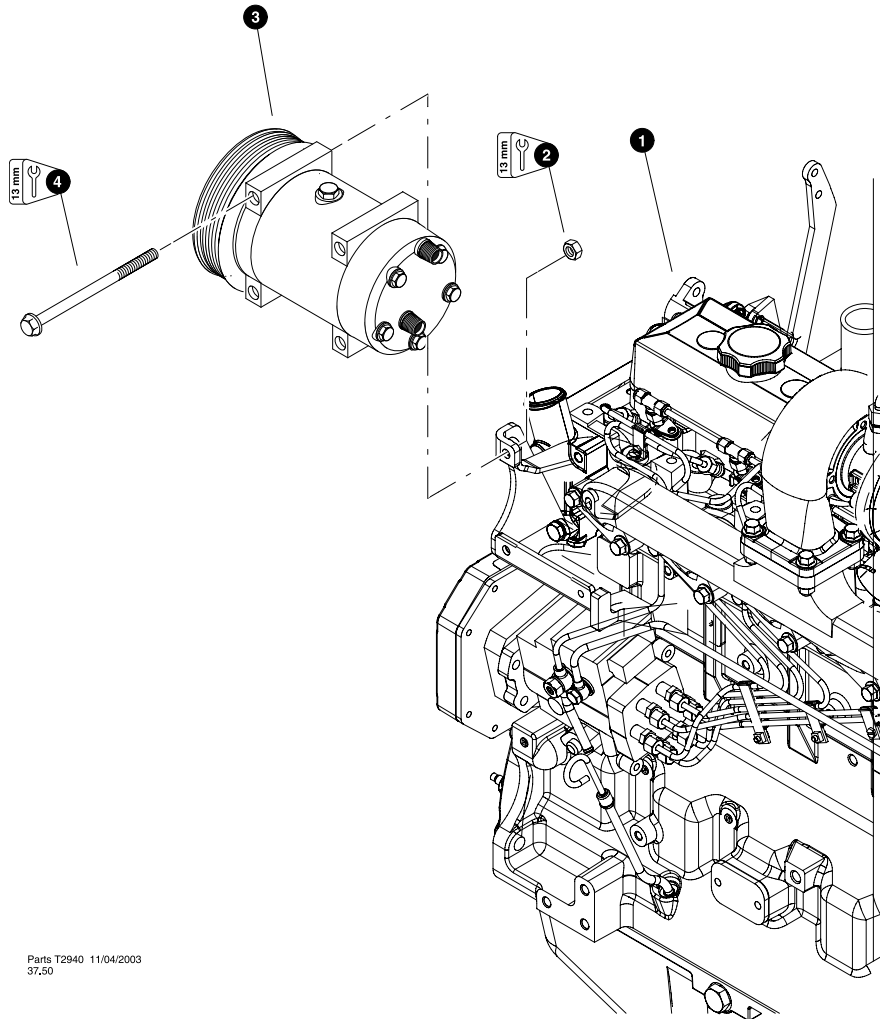
Last Updated - 03/01/2004

ENGINE INSTALLATION

REF	PART #	QTY	DESCRIPTION	SEE SECTION
1	51036-JD	1	ENGINE, John Deere 6.8L Electronic (225 HP) (used before 04-01-04)	
1	51325-JD	1	ENGINE, John Deere 6.8L Electronic PE6068HF475 (250 HP)	
2	10817-JD	4	NUT, lock - 3/4"	
3	15550-JD	8	WASHER, SAE flat - 3/4"	
4	17918-JD	8	WASHER, isolator mount - 7/8" x 3-1/2"	
5	17904-JD	8	ISOLATOR, engine mount - rear	
6	15551-JD	8	BOLT - 12mm-1.75P x 40mm (Torque to 92 ft.lbs. (122 Nm))	
7	18735-JD	8	WASHER, flat - 12mm	
8	50793-JD	1	MOUNT, engine - RH front	
9	10845-JD	4	BOLT - 3/4" x 5-1/2"	
10	14304-JD	1	MOUNT, engine rear - vertical box	
11	15681-JD	4	BOLT - 5/8" x 2-1/4" (Torque to 92 ft.lbs. (122 Nm))	
12	10771-JD	4	WASHER, SAE flat - 5/8	
13	50794-JD	1	MOUNT, engine - LH front	

JD-3-2

Parts Module JD-51240

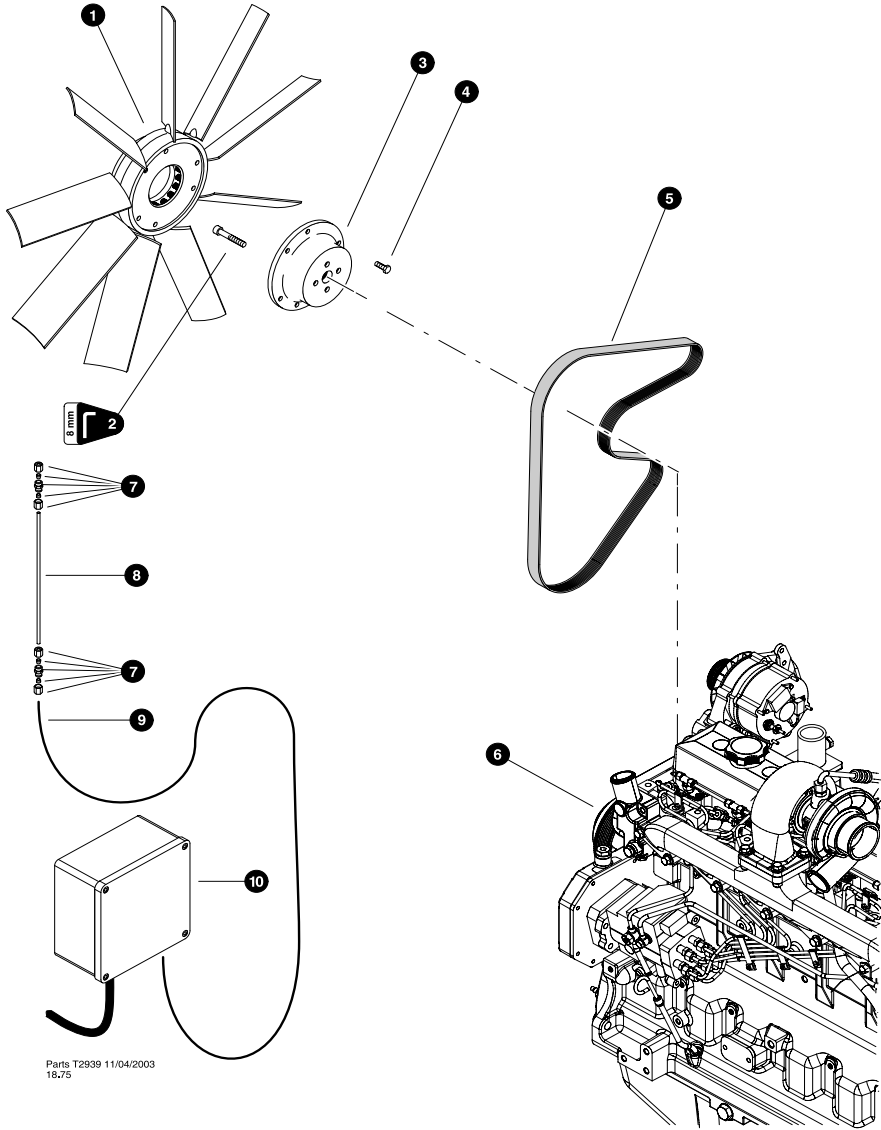


Parts T2940 11/04/2003
37,50

AIR CONDITIONER COMPRESSOR INSTALLATION

REF	PART #	QTY	DESCRIPTION	SEE SECTION
1	REF.	1	ENGINE - John Deere 6.8L.....	JD-3
2	--	1	NUT, nylock - 8 mm - 1.5P	
3	51245-JD	1	COMPRESSOR, air conditioner - JD 6.8L	
4	--	3	BOLT, flange - 8mm X 100mm	

See referenced page for component or assembly breakdown.



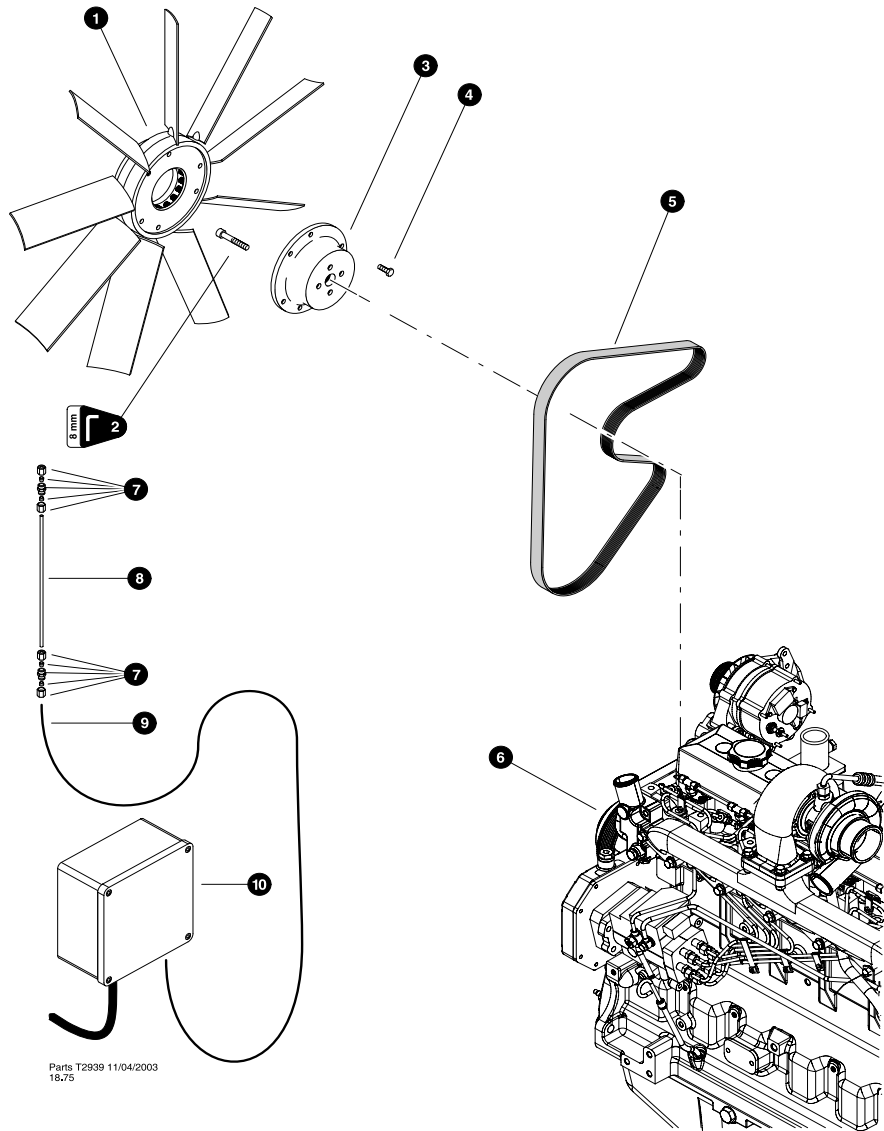
Parts T2939 11/04/2003
16,75

**ENGINE FAN & BELTS
(Reversing Fan Installation)**

**(225 HP - 6.8L)
(machines built before 04/01/04)**

REF	PART #	QTY	DESCRIPTION	SEE SECTION
1	24760-JD	1	<input type="checkbox"/> REVERSING FAN (31")	
2	50042-JD	4	BOLT, Allen - 10mm x 75mm (<i>Torque to 42 ft.lbs. (56 Nm)</i>)	
3	50759-JD	1	SPACER, engine reversing fan	
4	- - -	6	BOLT, large shoulder - 8 mm X 20mm (C5.015)	
5	51173-JD	1	BELT, engine fan	
6	REF.	1	<input type="checkbox"/> ENGINE - John Deere 6.8L.....	JD-3
-	24763-JD	1	<input type="checkbox"/> REVERSING FAN CONTROL KIT	
7	- - -	2	FITTING, 6mm Union (C5.131)	
8	- - -	1	TUBING, 6mm (C5.135)	
9	51203-JD	1	HOSE, 6mm (10 feet)	
10	REF.	1	<input type="checkbox"/> Control Box	ES-2

- See referenced page for component or assembly breakdown.
- Kit or Assembly - includes all items indented underneath.



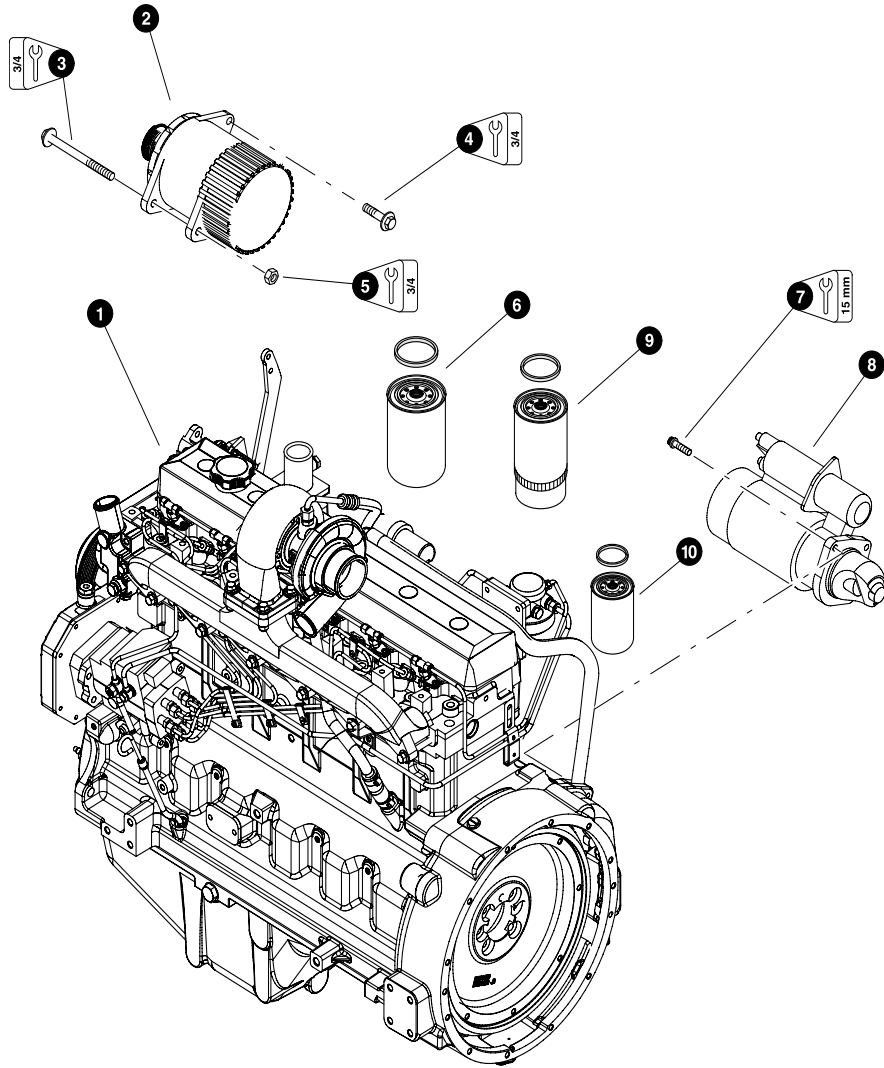
Parts T2939 11/04/2003
16.75

**ENGINE FAN & BELTS
(Reversing Fan Installation)**

**(250 HP - 6.8L)
(machines built after 04/01/04)**

REF	PART #	QTY	DESCRIPTION	SEE SECTION
1	24760-JD	1	<input type="checkbox"/> REVERSING FAN (31")	
2	51389-JD	4	BOLT, Allen - 10mm x 100mm (<i>Torque to 42 ft.lbs. (56 Nm)</i>)	
3	51381-JD	1	SPACER, engine reversing fan	
4	- - -	6	BOLT, large shoulder - 8 mm X 20mm (C5.015)	
5	51173-JD	1	BELT, engine fan	
6	REF.	1	<input type="checkbox"/> ENGINE - John Deere 6.8L.....	JD-3
-	24763-JD	1	<input type="checkbox"/> REVERSING FAN CONTROL KIT	
7	- - -	2	FITTING, 6mm Union (C5.131)	
8	- - -	1	TUBING, 6mm (C5.135)	
9	51203-JD	1	HOSE, 6mm (10 feet)	
10	REF.	1	<input type="checkbox"/> Control Box	ES-2

- See referenced page for component or assembly breakdown.
- Kit or Assembly - includes all items indented underneath.

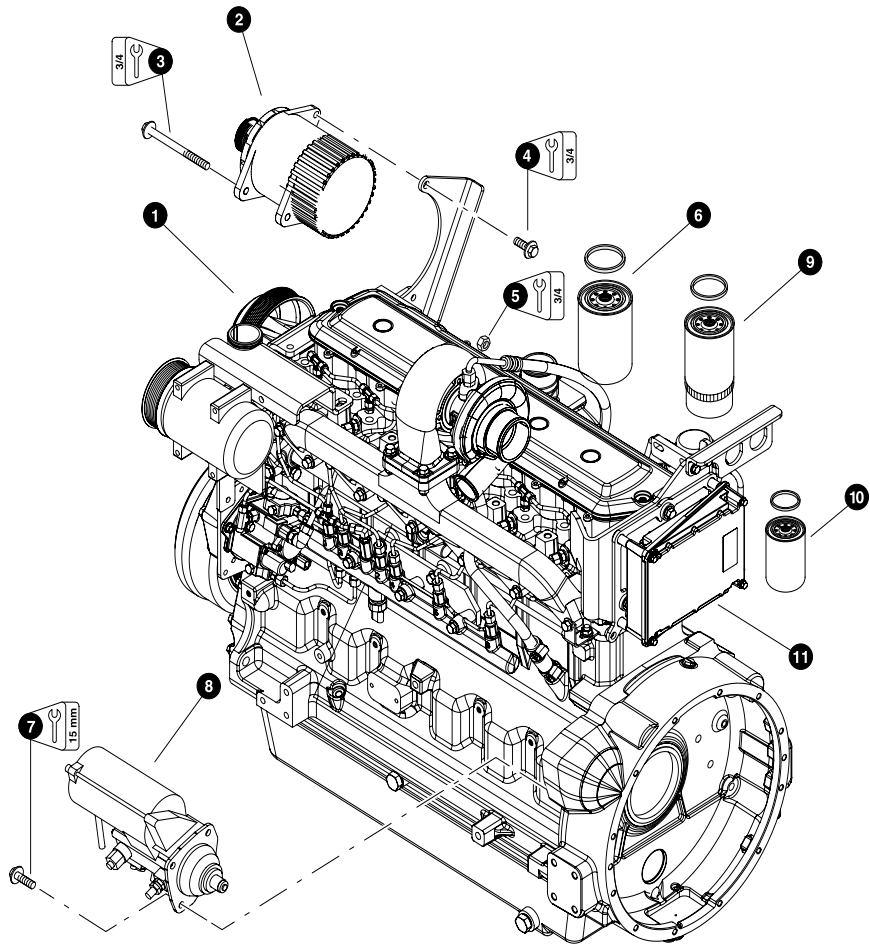


ALTERNATOR, STARTER & FILTERS

**(225 HP - 6.8L)
(machines built before 04/01/04)**

REF	PART #	QTY	DESCRIPTION	SEE SECTION
1	REF.	1	ENGINE - John Deere 6.8L Electronic	JD-3-2
2	51243-JD	1	ALTERNATOR - 24V (Niehoff 100 Amp)	
3	--	1	BOLT, flange head - 1/2 X 6"	
4	--	1	BOLT, flange head - 1/2 X 2"	
5	--	1	NUT, 1/2"	
6	51230-JD	1	FILTER, engine oil	
7	--	3	BOLT, - 8mm x 30 mm	
8	51242-JD	1	STARTER - 6.8L 24V	
9	51231-JD	1	FILTER, Fuel - Primary	
10	51239-JD	1	FILTER, Fuel - Secondary	

See referenced page for component or assembly breakdown.



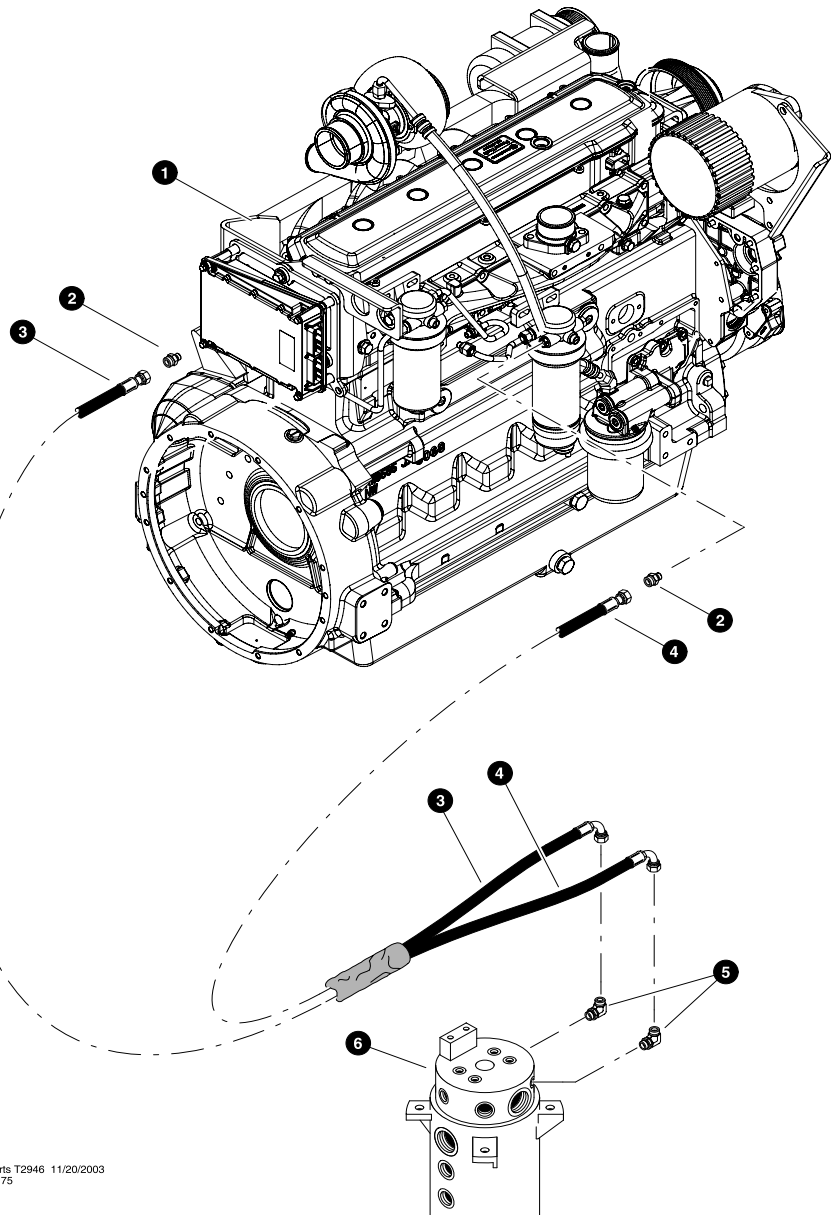
Parts T2938 04/24/2004
18,75

ALTERNATOR, STARTER & FILTERS

**(250 HP - 6.8L)
(machines built after 04/01/04)**

REF	PART #	QTY	DESCRIPTION	SEE SECTION
1	REF.	1	ENGINE - John Deere 6.8L Electronic	JD-3-2
2	51243-JD	1	ALTERNATOR - 24V (Niehoff 100 Amp)	
3	--	1	BOLT, flange head - 1/2 X 6"	
4	--	1	BOLT, flange head - 1/2 X 2"	
5	--	1	NUT, 1/2"	
6	51230-JD	1	FILTER, engine oil	
7	--	3	BOLT, - 8mm x 30 mm	
8	51466-JD	1	STARTER - 6.8L 24V	
9	51231-JD	1	FILTER, Fuel - Primary	
10	51461-JD	1	FILTER, Fuel - Secondary	

See referenced page for component or assembly breakdown.

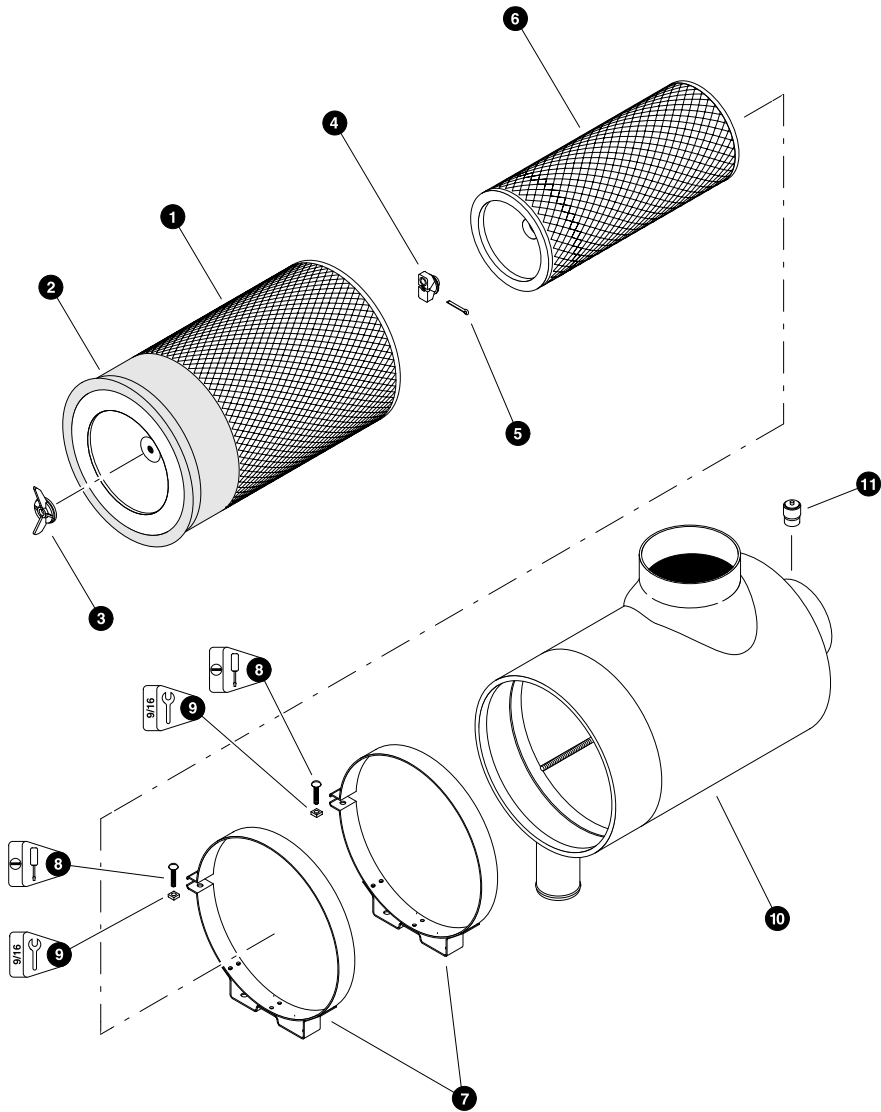


Parts T2946 11/20/2003
18,75

FUEL LINES (Supply & Return To Engine)

REF	PART #	QTY	DESCRIPTION	SEE PAGE
1	REF.	1	ENGINE - John Deere 6.8L.....	JD-3-2
2	22902-JD	2	CONNECTOR, STR - 0804	
3	-JD	1	HOSE ASSEMBLY 2085-08-080S-0809 fuel return to rotary manifold #13	
4	-JD	1	HOSE ASSEMBLY 2045-08-080S-0809 fuel supply to rotary manifold #14	
5	16360-JD	2	ELBOW, 90 - 08	
6	REF.	1	ROTARY MANIFOLD ASSEMBLY	UP-1-6

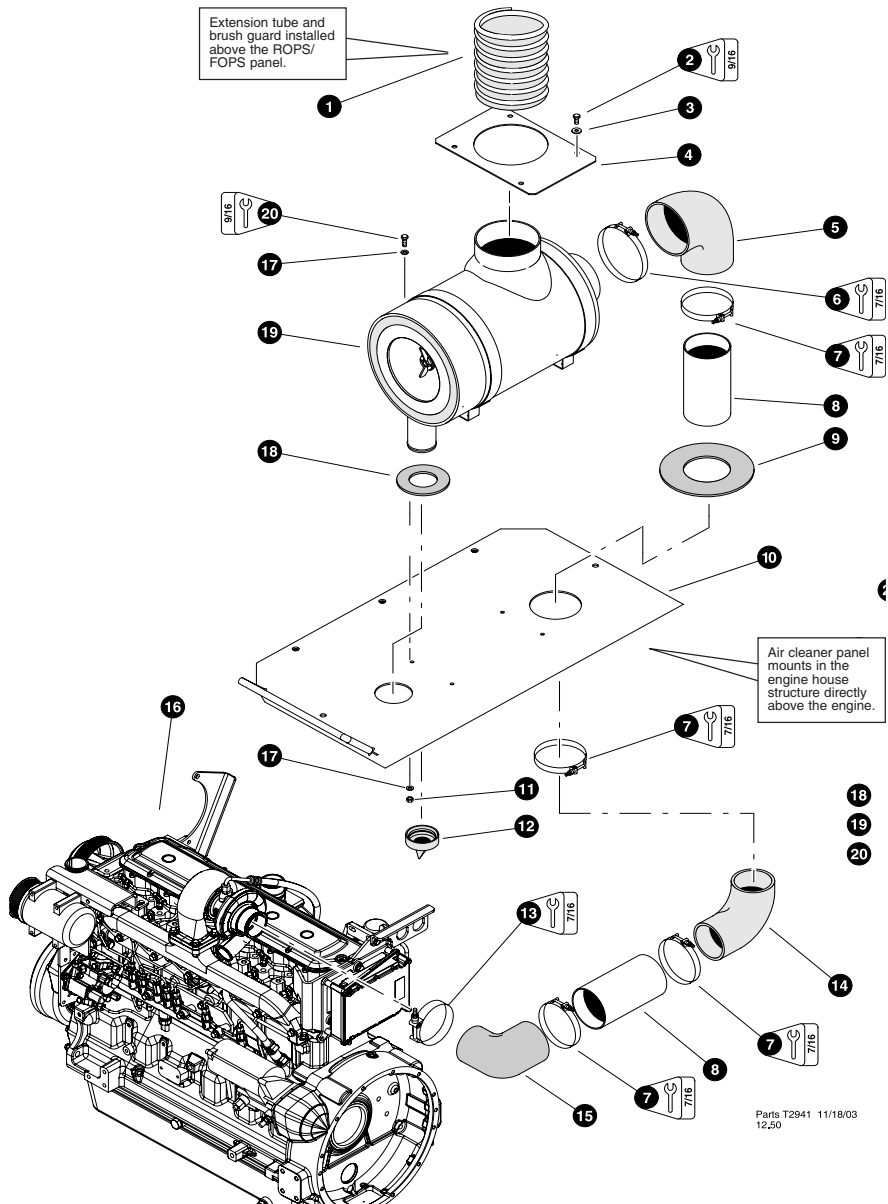
See referenced page for component or assembly breakdown.



AIR CLEANER ASSEMBLY

REF	PART #	QTY	DESCRIPTION	SEE PAGE
-	19550-JD	1	<input type="checkbox"/> AIR CLEANER ASSEMBLY	
1	18820-JD	1	FILTER, air cleaner - primary	
2	22252-JD	1	GASKET, air cleaner element (<i>Shown installed</i>)	
3	19551-JD	1	NUT, wing	
4	20448-JD	1	NUT, air cleaner - secondary	
5	20449-JD	1	PIN, roll - air cleaner nut	
6	18821-JD	1	FILTER, air cleaner - secondary	
7	20450-JD	2	<input type="checkbox"/> CLAMP, air cleaner band	
8	15591-JD	1	BOLT - 5/16" x 1-1/2"	
9	10788-JD	1	NUT, nylock - 5/16"	
10	20451-JD	1	CANISTER, air cleaner	
11	16114-JD	1	INDICATOR, air cleaner filter service	

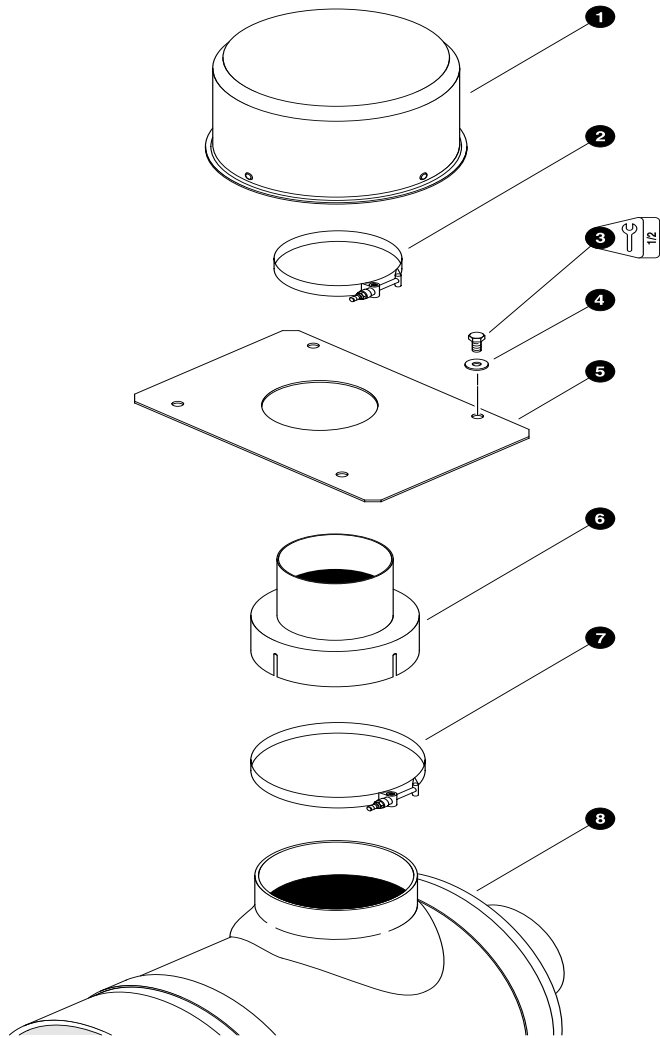
Kit or Assembly - includes all items indented underneath.



AIR CLEANER INSTALLATION 250 HP

REF	PART #	QTY	DESCRIPTION	SEE PAGE
1	18819-JD	1	TUBE, air cleaner extension	
2	15542-JD	4	BOLT - 3/8 x 3/4"	
3	10802-JD	4	WASHER, USS flat - 3/8"	
4	18818-JD	1	GUARD, air cleaner brush	
5	18910-JD	1	ELBOW, 90° rubber (<i>Ribbed</i>)	
6	18828-JD	1	CLAMP, strap band - 6-3/4"	
7	16249-JD	3	CLAMP, strap band - 5-1/2"	
8	18816-JD	2	CONNECTOR, air intake	
9	19163-JD	1	BOOT, rubber air intake	
10	REF.	1	AIR CLEANER PANEL	UP-1-24
11	10813-JD	4	NUT, lock - 3/8"	
12	16608-JD	1	BOOT, air cleaner dust	
13	15697-JD	1	CLAMP, strap band - 4-1/2"	
14	51405-JD	1	ELBOW, 90 - RUBBER (<i>Ribbed</i>) 5x5	
15	15831-JD	1	ELBOW, 90 - RUBBER (<i>Ribbed</i>) 4.5x5	
16	REF.	1	ENGINE - John Deere 6.8L	JD-3-2
17	15528-JD	8	WASHER, SAE flat - 3/8"	
18	16495-JD	1	BOOT, rubber	
19	REF.	1	AIR CLEANER ASSEMBLY	JD-3-12
20	11707-JD	4	BOLT - 3/8" x 1"	

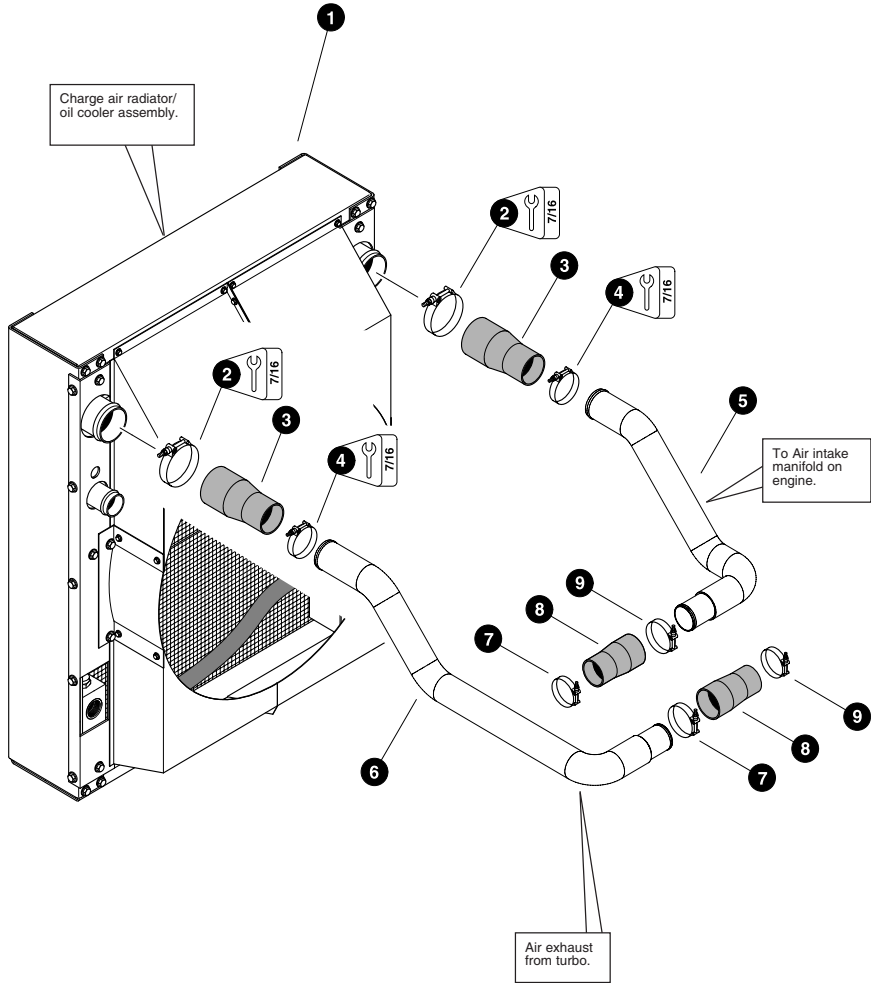
See referenced page for component or assembly breakdown.



OPTIONAL PRECLEANER INSTALLATION

REF	PART #	QTY	DESCRIPTION	SEE PAGE
1	24325-JD	1	PRECLEANER	
2	16249-JD	1	CLAMP, strap band - 5-1/2"	
3	15542-JD	4	BOLT - 3/8" x 1"	
4	10812-JD	4	WASHER, flat - 3/8"	
5	24327-JD	1	GUARD, air precleaner	
6	24326-JD	1	ADAPTER, precleaner	
7	24667-JD	1	CLAMP, strap band - 7-1/2"	
8	REF.	1	AIR CLEANER ASSEMBLY.....	JD-3-12

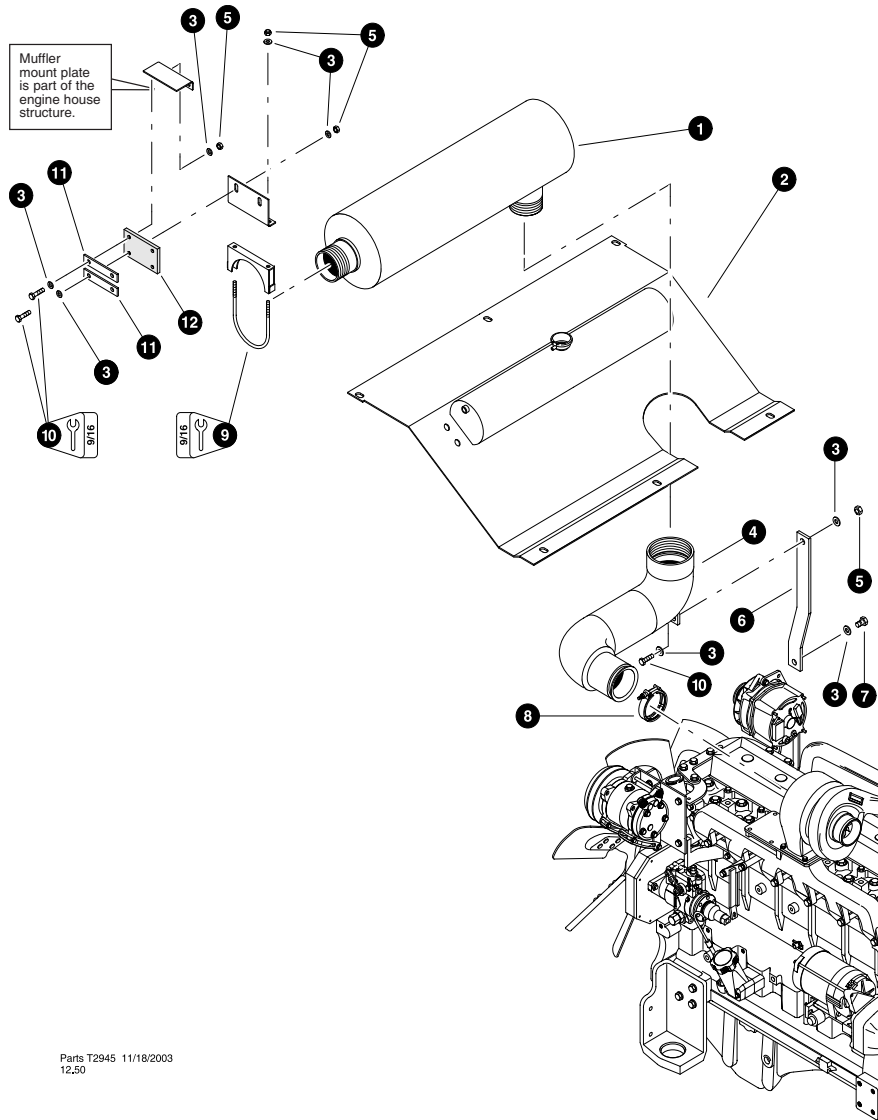
See referenced page for component or assembly breakdown.



CHARGE AIR (Air Intake & Exhaust)

REF	PART #	QTY	DESCRIPTION	SEE PAGE
1	REF.	1	RADIATOR/OIL COOLER ASSEMBLY.....	JD-1-2
2	16337-JD	2	CLAMP, strap band - 4"	
3	40813-JD	1	CONNECTOR, rubber 2.5" X 3.5"	
4	18103-JD	2	CLAMP, strap band - 2.75"	
5	40844-JD	1	TUBE, air return JD	
6	40843-JD	1	TUBE, air pressure JD	
7	18651-JD	2	CLAMP, strap band - 2.25"	
8	51467-JD	1	CONNECTOR, rubber 2.25" X 2"	
9	18104-JD	2	CLAMP, strap band - 2.50"	

See referenced page for component or assembly breakdown.

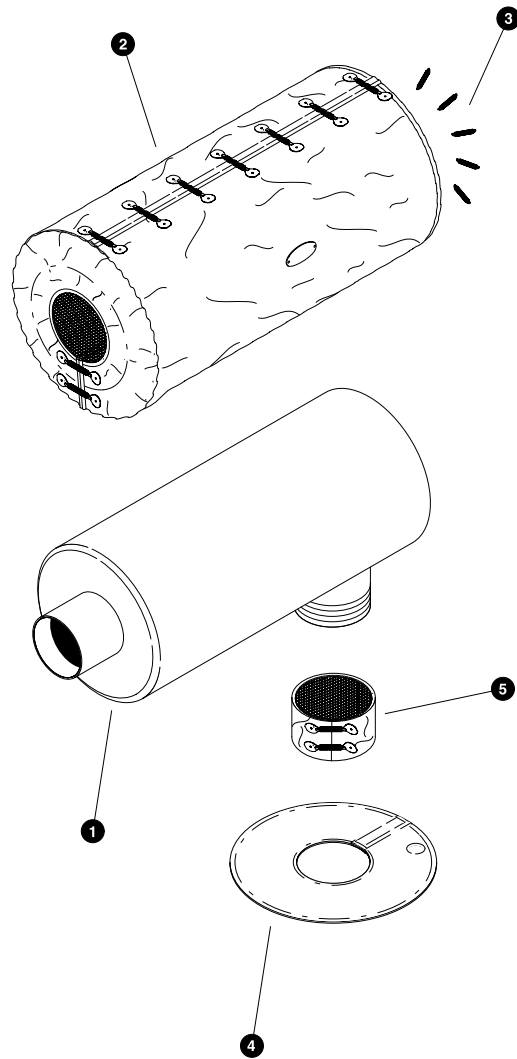


Parts T2945 11/18/2003
12.50

MUFFLER INSTALLATION

REF	PART #	QTY	DESCRIPTION	SEE PAGE
1	17202-JD	1	MUFFLER	
2	REF.	1	MUFFLER PANEL	UP-1-24
3	10802-JD	13	WASHER, USS flat - 3/8"	
4	50792-JD	1	ELBOW, exhaust - JD	
5	10813-JD	7	NUT, lock - 3/8"	
6	40807-JD	2	BRACKET, john deere muffler	
7	18831-JD	2	BOLT - 10mm x 45mm	
8	15850-JD	1	CLAMP, turbo exhaust	
9	16279-JD	1	CLAMP, muffler mount - 4 1/2"	
10	10731-JD	5	BOLT - 3/8" x 1-1/2"	
11	16734-JD	2	RETAINER, muffler rubber	
12	16572-JD	1	RUBBER, muffler mounting	

See referenced page for component or assembly breakdown.

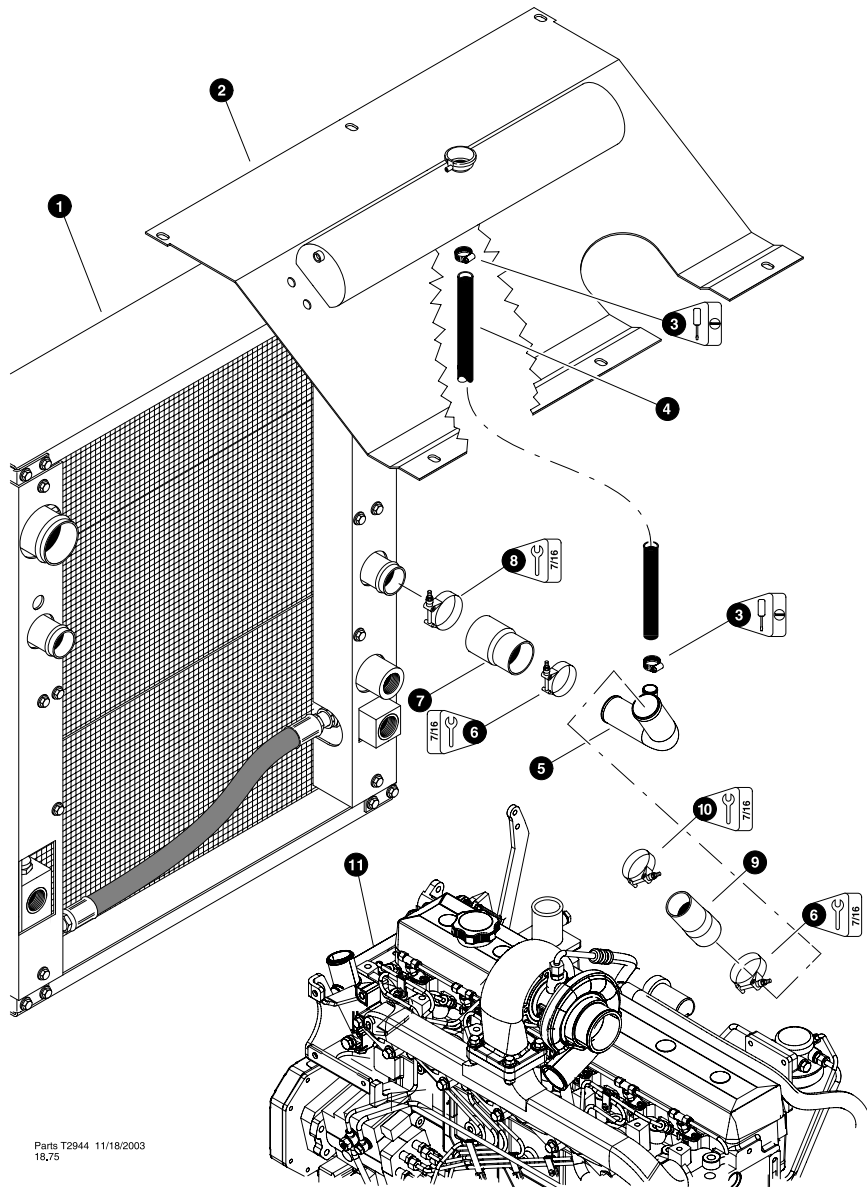


Parts 01712 06/02/2000
18.75

OPTIONAL MUFFLER BLANKET INSTALLATION

REF	PART #	QTY	DESCRIPTION	SEE PAGE
1	REF.	1	MUFFLER	EE-3-20
2	23127-JD	1	INSULATION, muffler blanket	
3	23126-JD	14	SPRING, muffler blanket (<i>stainless</i>)	
4	22813-JD	1	DEFLECTOR, skirting - exhaust	
5	51265-JD	1	WRAP, 5" wide - Small Muffler	

See referenced page for component or assembly breakdown.



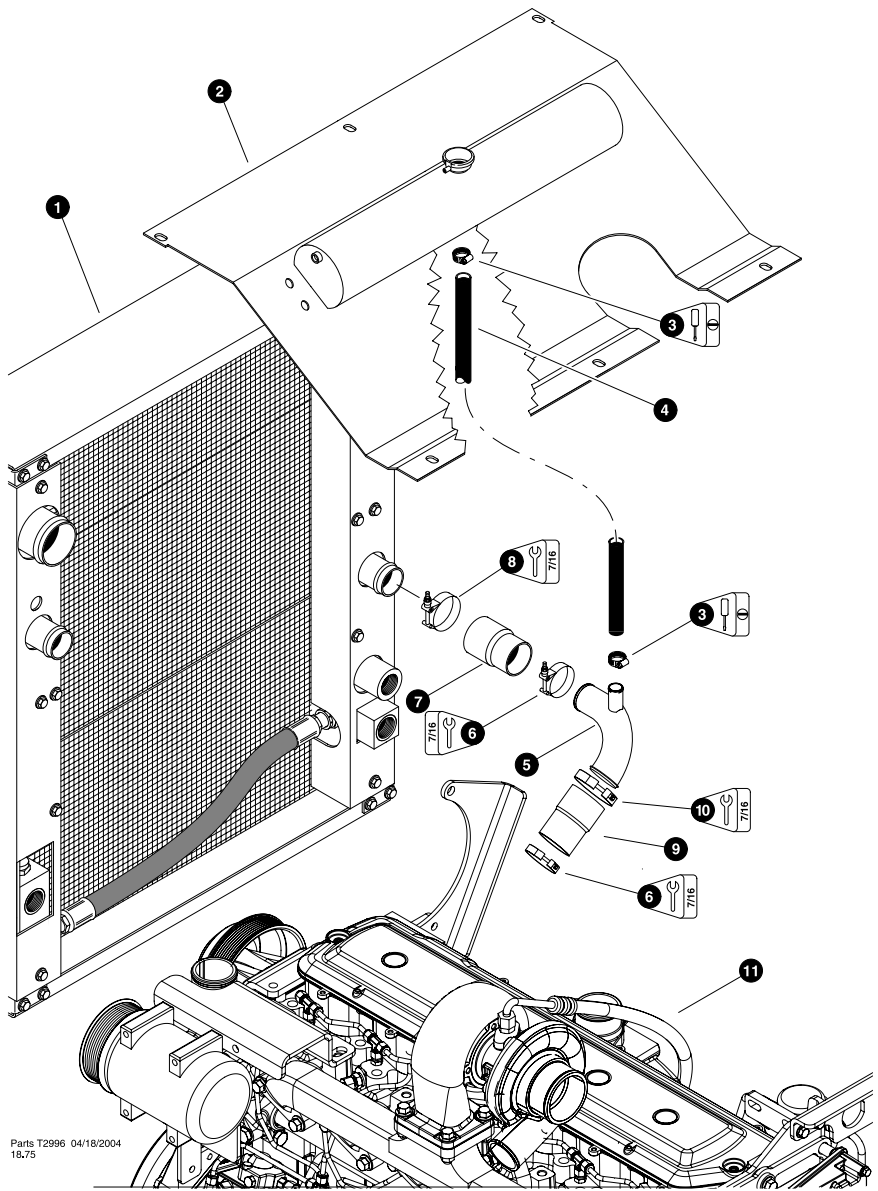
Parts T2944 11/18/2003
18,75

COOLING SYSTEM LINES
(Lower Radiator Connections - Charge Air)

(225 HP - 6.8L)
(machines built before 04/01/04)

REF	PART #	QTY	DESCRIPTION	SEE PAGE
1	REF.	1	RADIATOR/OIL COOLER ASSEMBLY.....	UP-3-2
2	REF.	1	AIR CLEANER PANEL	JD-3-12
3	17537-JD	2	CLAMP, hose - worm style - 1-1/4"	
4	15677-JD	AR	HOSE, heater - 1"	
5	42095-JD	1	TUBE, radiator splice	
6	18651-JD	1	CLAMP, constant torque - #32	
7	51267-JD	1	HOSE, reducer - (20532 gates)	
8	18103-JD	1	CLAMP, constant torque - #40	
9	51268-JD	1	HOSE, reducer - (20520 gates)	
10	15641-JD	1	CLAMP, constant torque - 2"	
11	REF.	1	ENGINE - John Deere 6.8L.....	JD-3-2

See referenced page for component or assembly breakdown.
 Bulk material - order length required in feet or meters.



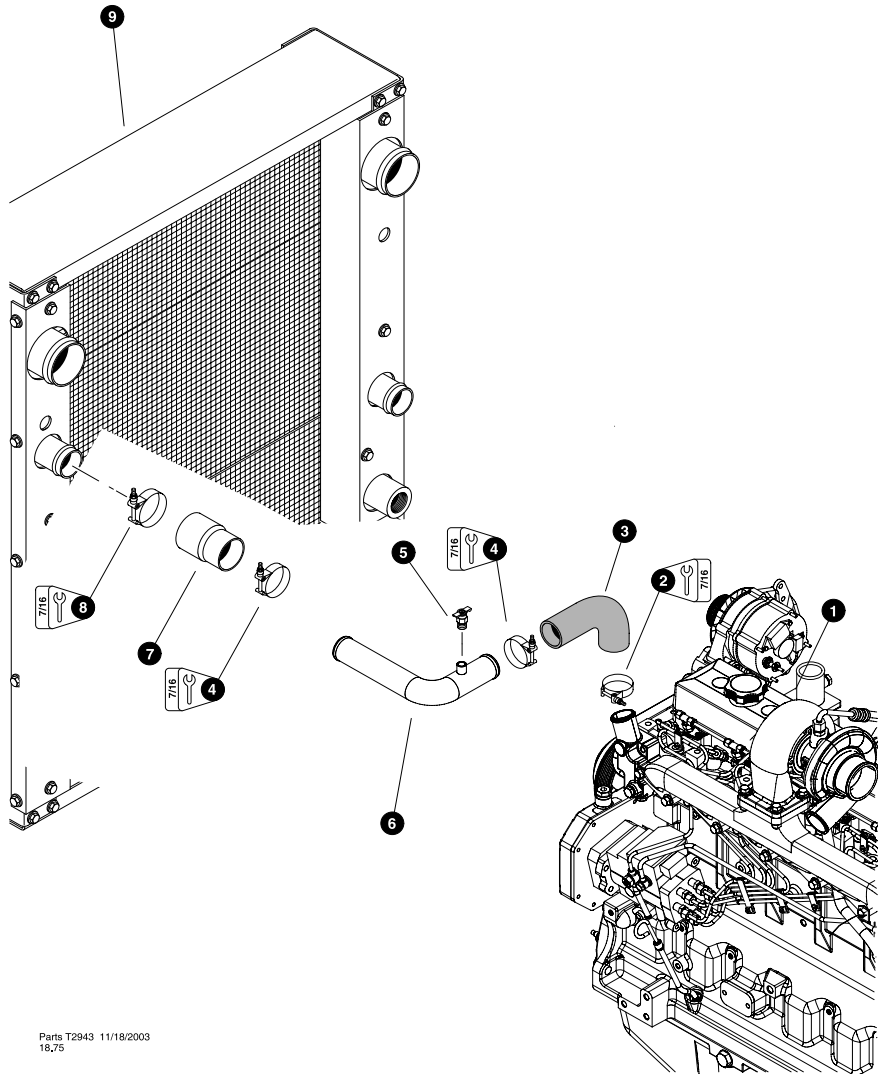
Parts T2996 04/18/2004
18.75

COOLING SYSTEM LINES
(Lower Radiator Connections - Charge Air)

(250 HP - 6.8L)
(machines built after 04/01/04)

REF	PART #	QTY	DESCRIPTION	SEE PAGE
1	REF.	1	RADIATOR/OIL COOLER ASSEMBLY.....	UP-3-2
2	REF.	1	AIR CLEANER PANEL	JD-3-12
3	17537-JD	2	CLAMP, hose - worm style - 1-1/4"	
4	15677-JD	AR	HOSE, heater - 1"	
5	42095-JD	1	TUBE, radiator splice	
6	18651-JD	1	CLAMP, constant torque - #32	
7	51267-JD	1	HOSE, reducer - (20532 gates)	
8	18103-JD	1	CLAMP, constant torque - #40	
9	51268-JD	1	HOSE, reducer - (20520 gates)	
10	15641-JD	1	CLAMP, constant torque - 2"	
11	REF.	1	ENGINE - John Deere 6.8L.....	JD-3-2

See referenced page for component or assembly breakdown.
 Bulk material - order length required in feet or meters.



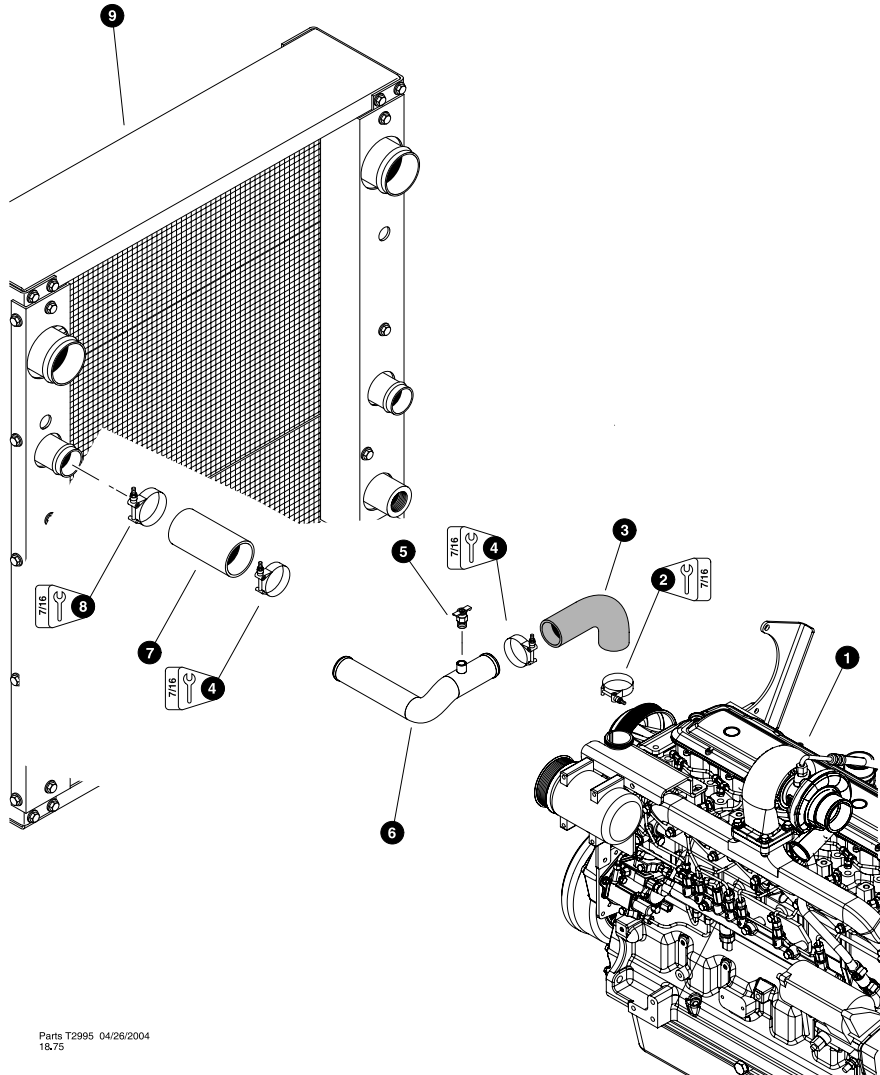
Parts T2943 11/18/2003
18,75

COOLING SYSTEM LINES
(Upper Radiator Connections - Charge Air)

(225 HP - 6.8L)
(machines built before 04/01/04)

REF	PART #	QTY	DESCRIPTION	SEE PAGE
1	REF.	1	ENGINE -John Deere 6.8L	JD-3-2
2	18651-JD	1	CLAMP, constant torque - #32	
3	51266-JD	1	HOSE, 90° radiator - (21256 gates)	
4	18651-JD	1	CLAMP, constant torque - #32	
5	15650-JD	1	VALVE, shut-off	
6	42096-JD	1	TUBE, radiator splice	
7	51267-JD	1	HOSE, radiator - (20532 gates)	
8	18103-JD	1	CLAMP, constant torque - #40	
9	REF.	1	RADIATOR/OIL COOLER ASSEMBLY.....	JD-3-2

See referenced page for component or assembly breakdown.



Parts T2995 04/26/2004
18.75

COOLING SYSTEM LINES
(Upper Radiator Connections - Charge Air)

(250 HP - 6.8L)
(machines built after 04/01/04)

REF	PART #	QTY	DESCRIPTION	SEE PAGE
1	REF.	1	ENGINE -John Deere 6.8L	JD-3-2
2	18103-JD	1	CLAMP, constant torque - #40	
3	15617-JD	1	HOSE, 90 DEG. RADIATOR - 2.5"	
4	18103-JD	1	CLAMP, constant torque - #40	
5	15650-JD	1	VALVE, shut-off	
6	42204-JD	1	TUBE, radiator splice	
7	15620-JD	1	HOSE, RADIATOR - 2.25" (3' BULK)	
8	18103-JD	1	CLAMP, constant torque - #40	
9	REF.	1	RADIATOR/OIL COOLER ASSEMBLY.....	JD-3-2

See referenced page for component or assembly breakdown.

