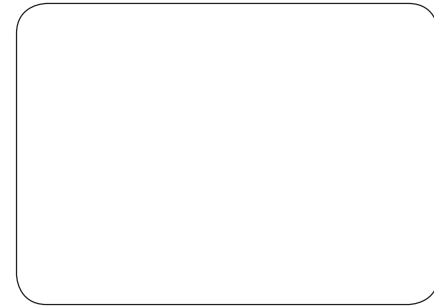
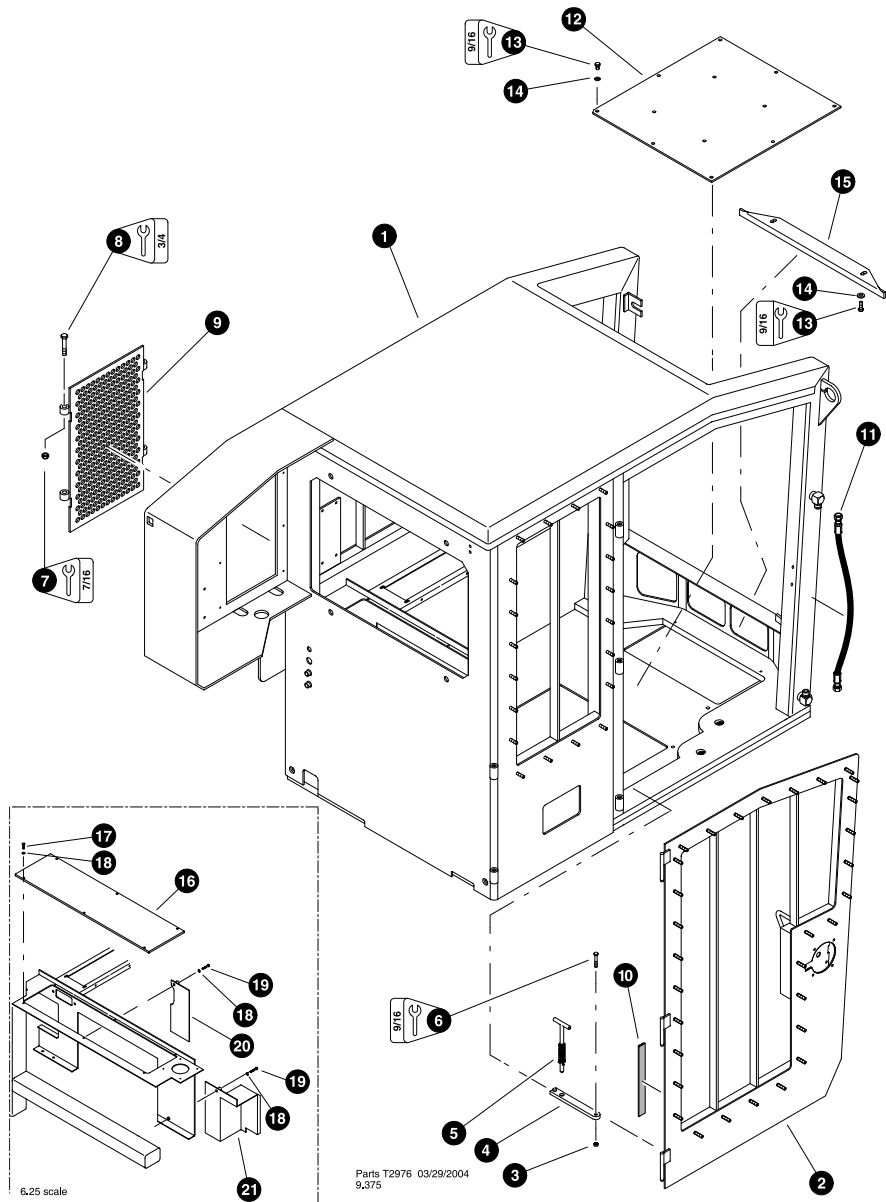


OC-1



Operator's Cab - Cab Weldment & Installation Components



Parts T2976 03/29/2004
9,375

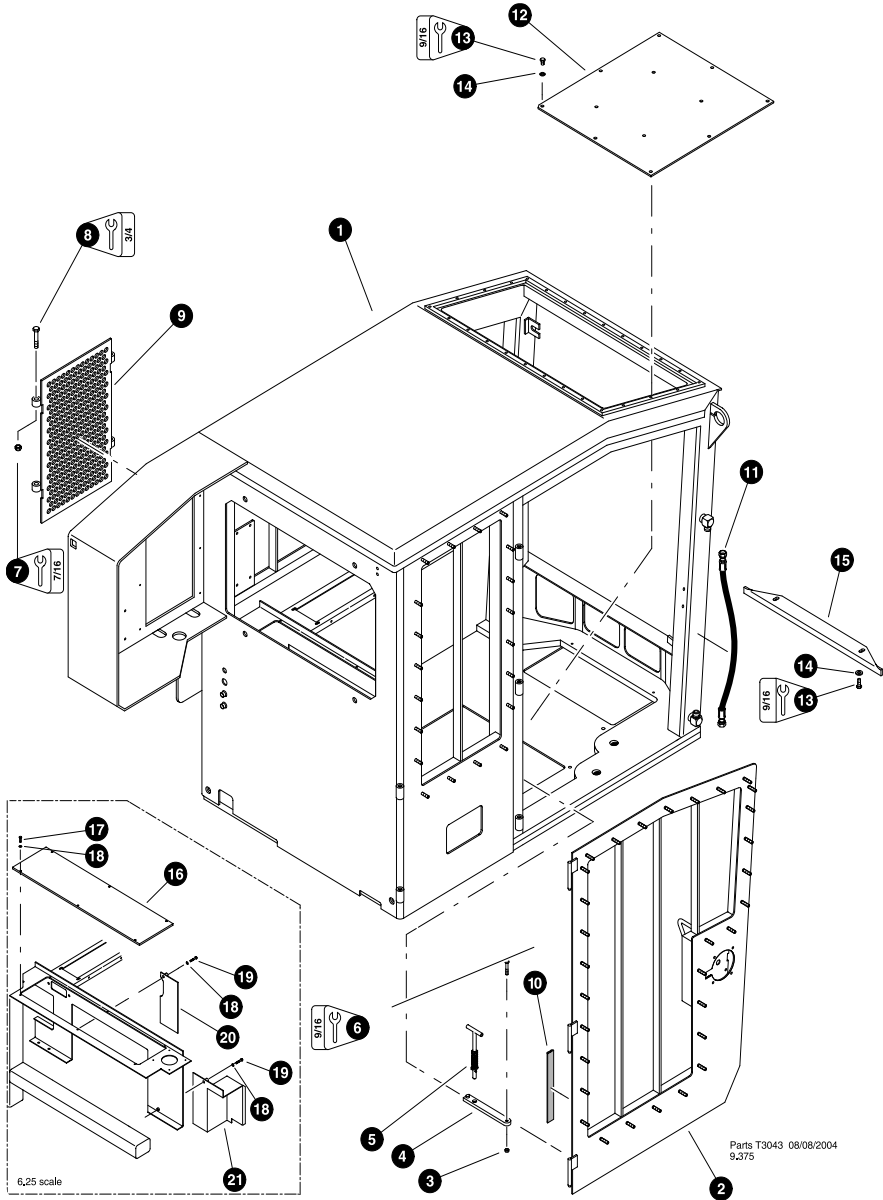
OC-1-1

CAB WELDMENT ASSEMBLY
(Skyview Cab)
Machines built before 7/26/04

REF	PART #	QTY	DESCRIPTION	SEE SECTION
1	21346-OC	1	□ WELDMENT, stretched short-top cab	
2	23448-OC	1	DOOR, cab	
3	15507-OC	1	NUT, nylock - 3/8"	
4	12424-OC	1	BAR, doorstop slide	
5	12423-OC	1	DOORSTOP, T-handle	
6	15529-OC	1	BOLT - 3/8" x 2"	
7	15533-OC	4	NUT - 1/2"	
8	10893-oc	4	BOLT - 1/2 X 3"	
9	20214-OC	1	COVER, access - condenser	
10	18126-OC	AR	⌘ WEATHERSTRIP	
11	20071-OC	1	HOSE ASSEMBLY - 2032.5-08-10JS-10JS <i>(Used as hand hold)</i>	
12	22105-OC	1	COVER, floor access	
13	15528-OC	8	WASHER, SAE flat - 3/8"	
14	11707-OC	8	BOLT - 3/8" x 1"	
15	20974-OC	1	GUARD, cab chin	

- Kit or Assembly - includes all items indented underneath.
- ⌘ Bulk material - order length required in feet or meters.

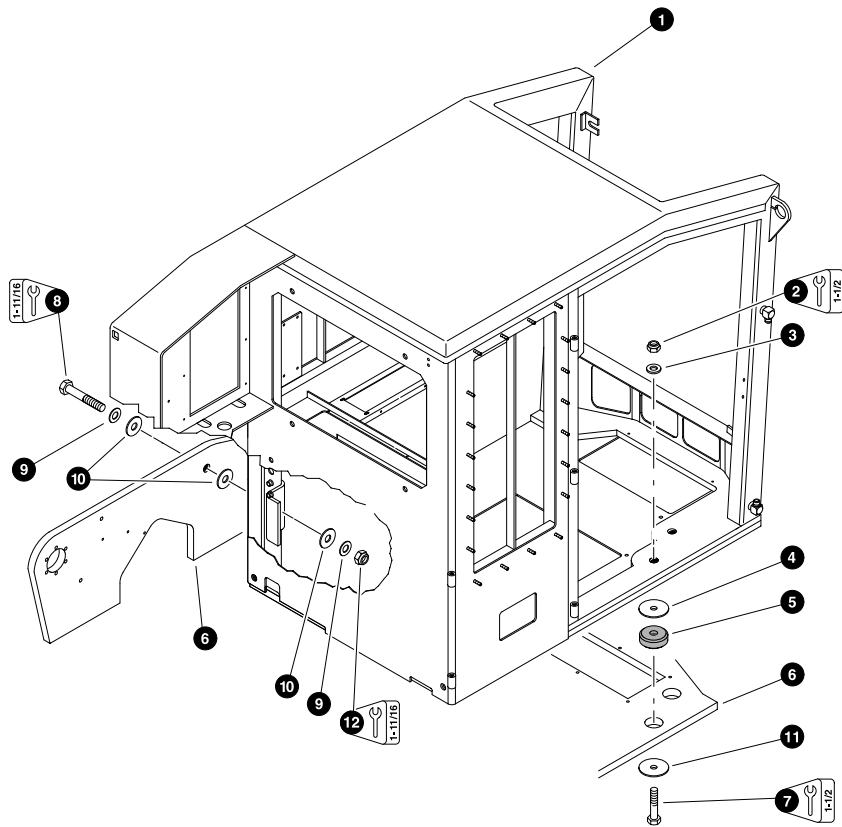
OC-1-2



CAB WELDMENT ASSEMBLY
(Skyview Cab)
Machines built after 7/26/04

REF	PART #	QTY	DESCRIPTION	SEE SECTION
1	51510-OC	1	☐ WELDMENT, stretched short-top cab	
2	23448-OC	1	DOOR, cab	
3	15507-OC	1	NUT, nylock - 3/8"	
4	12424-OC	1	BAR, doorstop slide	
5	12423-OC	1	DOORSTOP, T-handle	
6	15529-OC	1	BOLT - 3/8" x 2"	
7	15533-OC	4	NUT - 1/2"	
8	10893-oc	4	BOLT - 1/2 X 3"	
9	20214-OC	1	COVER, access - condenser	
10	18126-OC	AR	☞ WEATHERSTRIP	
11	20071-OC	1	HOSE ASSEMBLY - 2032.5-08-10JS-10JS <i>(Used as hand hold)</i>	
12	22105-OC	1	COVER, floor access	
13	15528-OC	8	WASHER, SAE flat - 3/8"	
14	11707-OC	8	BOLT - 3/8" x 1"	
15	20974-OC	1	GUARD, cab chin	

- ☐ Kit or Assembly - includes all items indented underneath.
- ☞ Bulk material - order length required in feet or meters.



Parts T2977 03/29/04
9,375

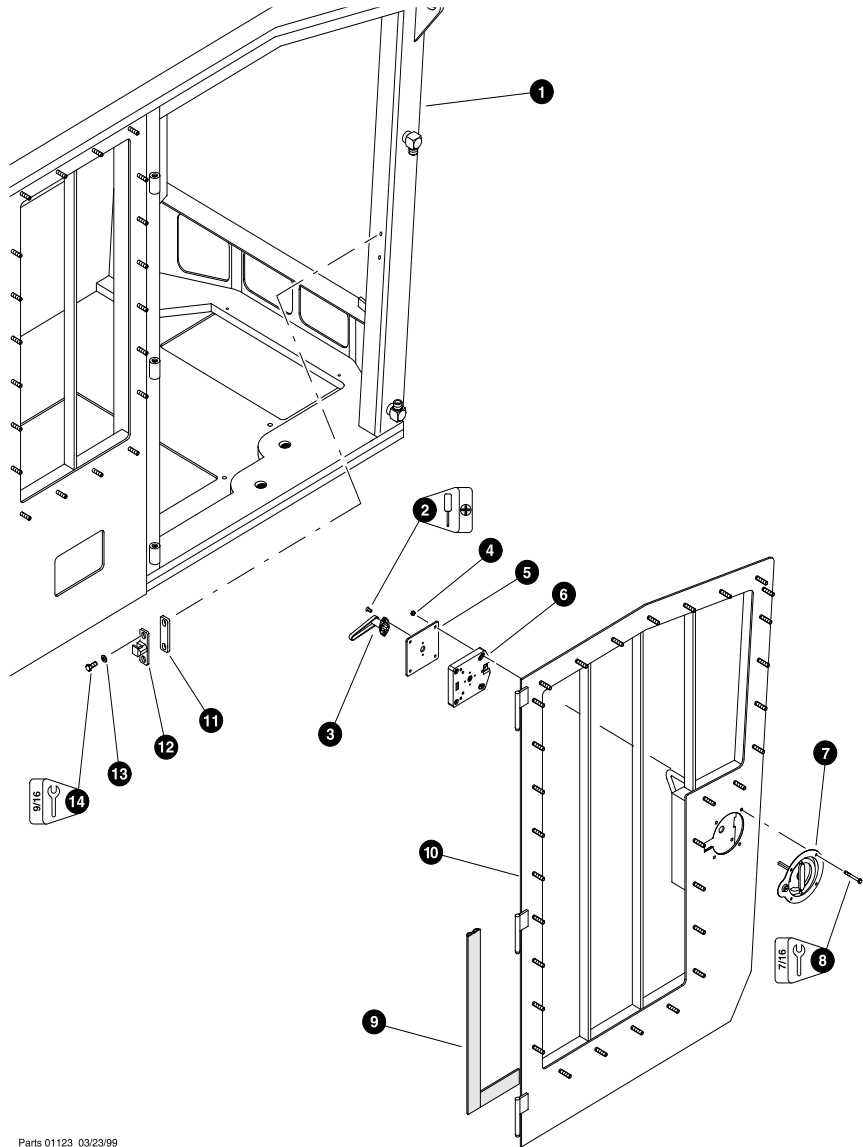
CAB WELDMENT INSTALLATION

REF	PART #	QTY	DESCRIPTION	SEE SECTION
1	REF.	1	CAB WELDMENT	OC-1
2	18253-OC	6	NUT, lock 1" (see note 1) (torque to 600 lbs.)	
3	15579-OC	6	WASHER, SAE flat - 1"	
4	50061-OC	6	WASHER, cab mount isolator	
5	19295-OC	6	ISOLATOR, cab mount	
6	REF.	1	UPPER TURNTABLE WELDMENT	
7	18535-OC	6	BOLT, 1" x 5"	
8	17247-OC	1	BOLT - 1-1/8" x 7-1/2"	
9	16935-OC	2	WASHER, SAE flat - 1-1/8"	
10	17065-OC	3	WASHER, rubber	
11	19369-OC	6	WASHER, cab mount isolator - (.5 thick)	
12	17248-OC	1	NUT, lock - 1-1/8"	

See referenced page for component or assembly breakdown.

Note 1

Use loctite 271 (red) on treads during installation.

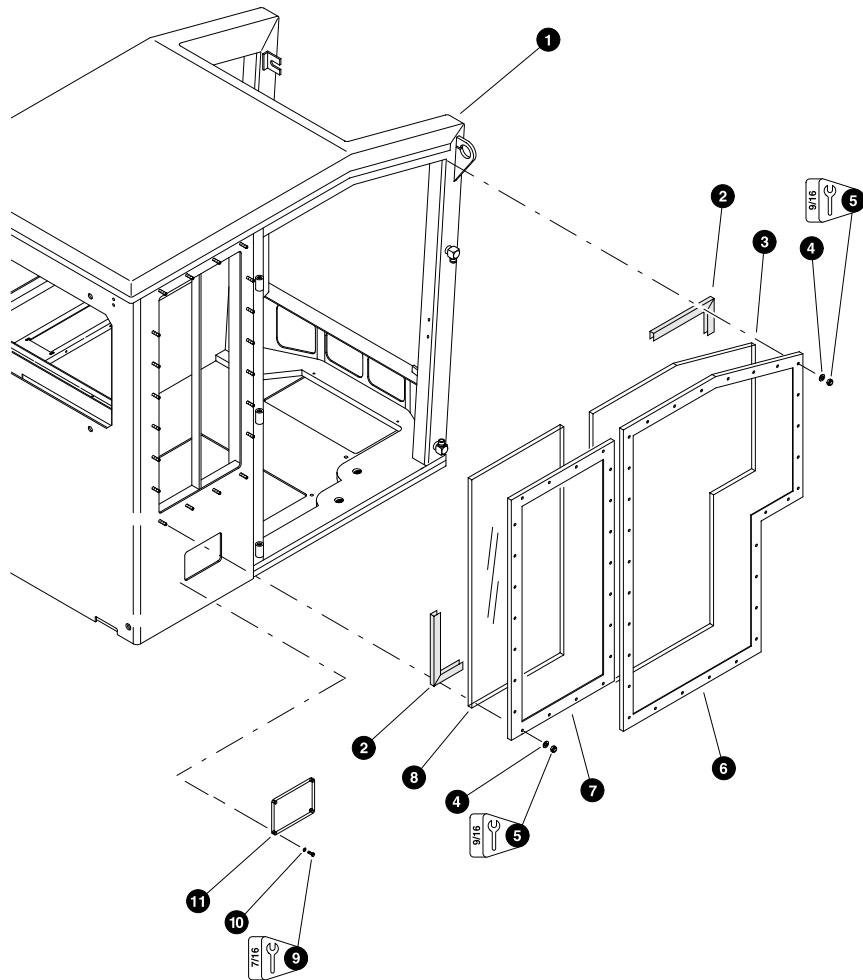


Parts 01123 03/23/99
12.50

DOOR LATCH INSTALLATION

REF	PART #	QTY	DESCRIPTION	SEE SECTION
1	REF.	1	CAB WELDMENT	OC-1
2	15669-OC	1	SCREW, machine - #10-24 x 1/2"	
3	17897-OC	1	HANDLE, inside door	
4	10811-OC	4	NUT, lock - 1/4"	
5	18183-OC	1	STIFFENER, latch bolster	
6	17895-OC	1	LATCH, door	
7	19248-OC	1	HANDLE, outside door	
	16939-OC	1	KEY, door (Key code CH509)	
	18399-OC	1	KEY, door (Key code CH510)	
	16937-OC	1	KEY, door (Key code CH545)	
	16940-OC	1	KEY, door (Key code CH1250)	
8	18273-OC	4	BOLT - 1/4" x 2-3/4"	
9	18126-OC	AR	WEATHERSTRIP, door	
10	23448-OC	1	DOOR, cab	
11	18272-OC	1	SHIM, door latch striker - 1/8"	
	18270-OC	1	SHIM, door latch striker - 3/16"	
	18271-OC	1	SHIM, door latch striker - 1/4"	
	18390-OC	1	SHIM, door latch striker - 5/16"	
12	17896-OC	1	STRIKER, door latch	
13	15528-OC	2	WASHER, SAE flat - 3/8"	
14	10402-OC	2	BOLT - 3/8" x 1-1/4"	

See referenced page for component or assembly breakdown.
 Bulk material - order length required in feet or meters.

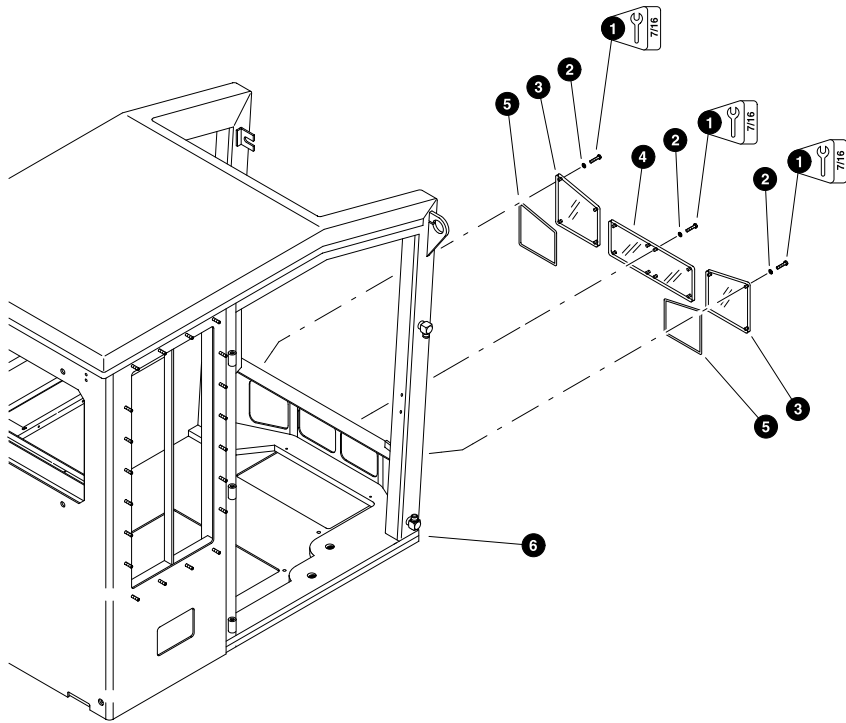


Parts T2683 05/19/2003
9,375

WINDOW INSTALLATION (Right Side Rear & Door)

REF	PART #	QTY	DESCRIPTION	SEE SECTION
1	REF.	1	CAB WELDMENT	OC-1
2	16230-OC	AR	CHANNEL, window molding	
3	23450-OC	1	LEXAN, door window	
4	15528-OC	46	WASHER, SAE flat - 3/8"	
5	15507-OC	46	NUT, nylock - 3/8"	
6	23449-OC	1	FRAME, door window	
7	19023-OC	1	FRAME, right corner window	
8	19019-OC	1	LEXAN, RH corner window	
9	18309-OC	4	BOLT - 1/4" x 1-1/4"	
10	10757-OC	4	WASHER, SAE flat - 1/4"	
11	16811-OC	1	LEXAN, light guard	



- See referenced page for component or assembly breakdown.
- Bulk material - order length required in feet or meters.

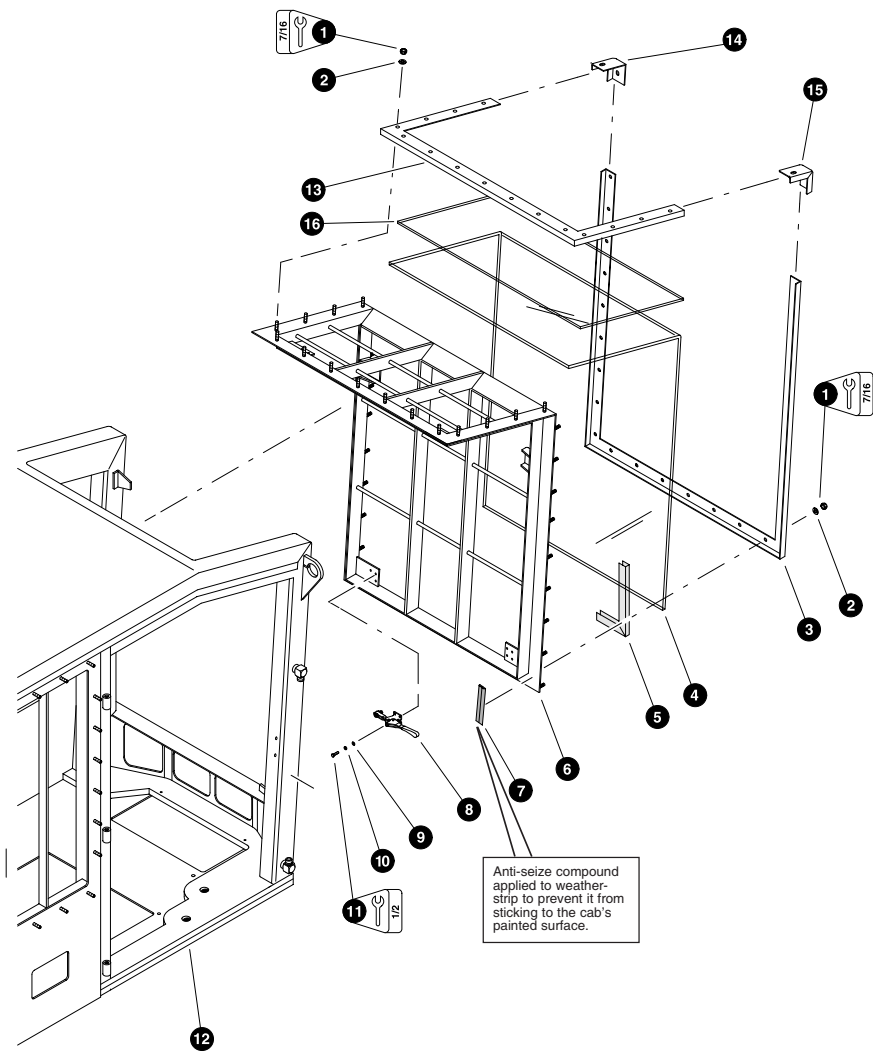


Parts T2684 05/19/2003
9,375

WINDOW INSTALLATION (Lower Chin)

REF	PART #	QTY	DESCRIPTION	SEE SECTION
1	18309-OC	20	BOLT - 1/4" x 1-1/4"	
2	10757-OC	20	WASHER, SAE flat - 1/4"	
3	18190-OC	2	LEXAN, chin window	
4	18189-OC	1	LEXAN, light guard - double	
5	15695-OC	AR	WEATHERSTRIP	
6	REF.	1	CAB WELDMENT	OC1

-  Bulk material - order length required in feet or meters.
-  See referenced page for component or assembly breakdown.



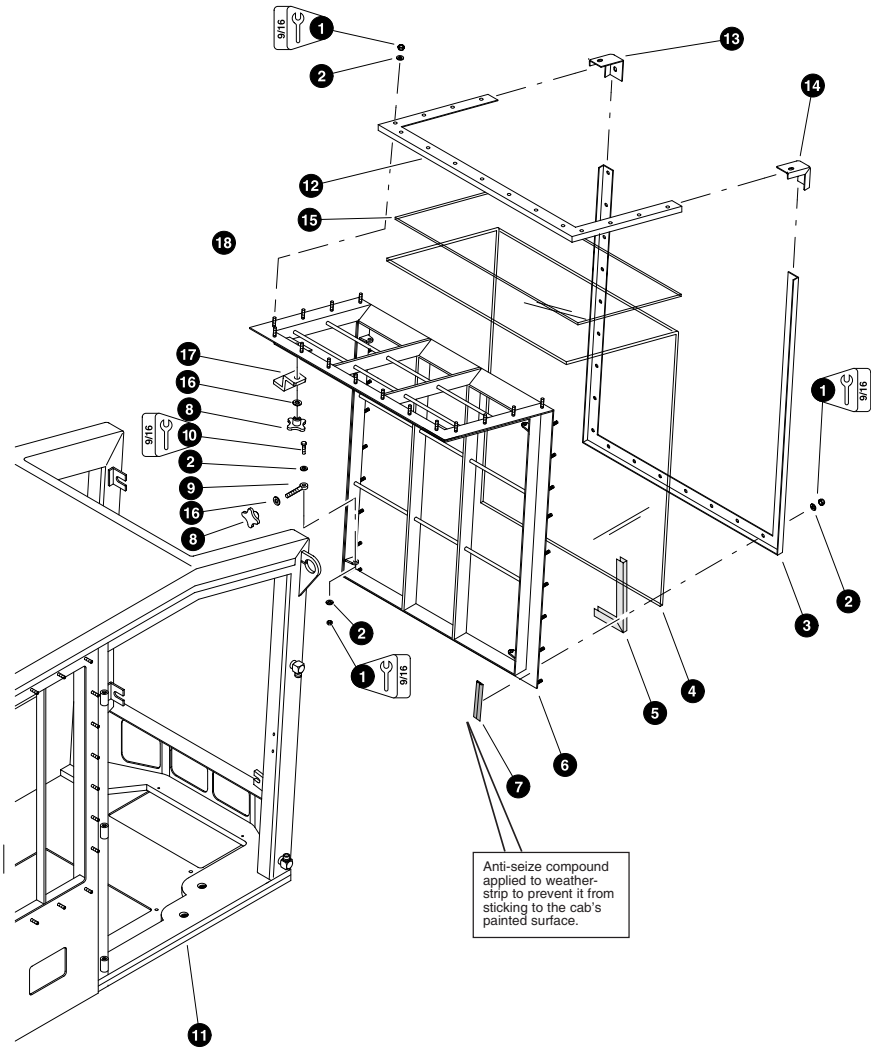
Parts T2685 05/19/03
9,375

WINDOW INSTALLATION (Front Escape / Skylight)

(machines built before 02/15/04)

REF	PART #	QTY	DESCRIPTION	SEE SECTION
1	15507-OC	40	NUT, nylock - 3/8"	
2	15528-OC	40	WASHER, SAE flat - 3/8"	
3	22101-OC	1	FRAME, front window	
4	22107-OC	1	LEXAN, front window/skylight	
5	16230-OC	AR	CHANNEL, window molding	
6	22106-OC	1	HATCH, front window escape	
7	18126-OC	AR	WEATHERSTRIP	
8	22303-OC	6	LATCH, toggle - escape hatch	
9	10757-OC	24	WASHER, SAE flat - 1/4"	
10	10756-OC	24	WASHER, lock - 1/4"	
11	15604-OC	24	BOLT - 1/4" x 3/4"	
12	REF.	1	CAB WELDMENT	OC-1
13	22102-OC	1	FRAME, skylight window	
14	22104-OC	1	FRAME, front window angle - LH	
15	22103-OC	1	FRAME, front window angle - RH	
16	22407-OC	1	LEXAN, sky scratch	

- Bulk material - order length required in feet or meters.
- See referenced page for component or assembly breakdown.

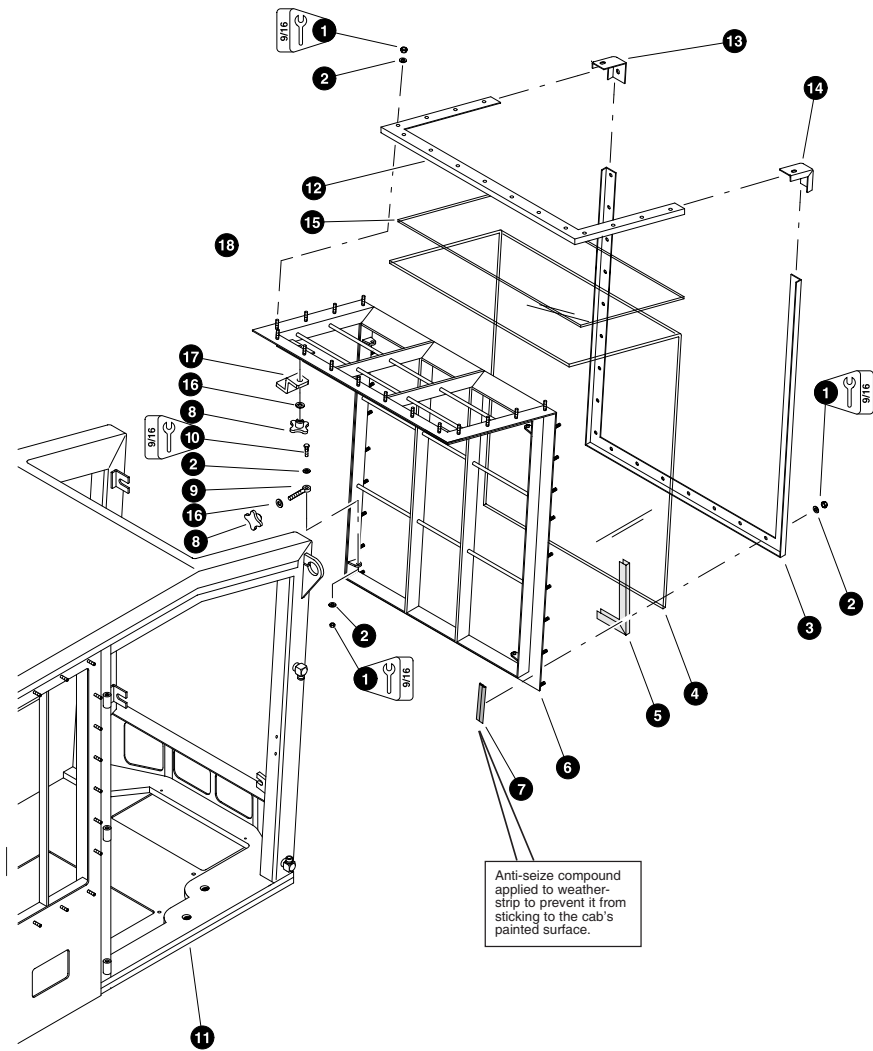


Parts T2978 03/29/04
9.375

WINDOW INSTALLATION
(Standard 1/2" Front Window)
(New Latch System)
(machines built after 02/15/04)
(Machines built before 7/26/04)

REF	PART #	QTY	DESCRIPTION	SEE SECTION
1	15507-OC	40	NUT, nylock - 3/8"	
2	15528-OC	54	WASHER, SAE flat - 3/8"	
3	22101-OC	1	FRAME, front window	
4	22107-OC	1	LEXAN, front window/skylight	
5	16230-OC	AR	CHANNEL, window molding	
6	51363-OC	1	HATCH, front window escape	
7	18126-OC	AR	WEATHERSTRIP	
8	12013-OC	6	KNOB, star	
9	42154-OC	4	EYEBOLT, .5-13NC X 4"	
10	10731-OC	4	BOLT - .375" X 1.5"	
11	REF.	1	CAB WELDMENT	OC-1
12	22102-OC	1	FRAME, skylight window	
13	22104-OC	1	FRAME, front window angle - LH	
14	22103-OC	1	FRAME, front window angle - RH	
15	22407-OC	1	LEXAN, sky scratch	
16	15534-OC	6	WASHER, SAE FLAT - .5"	
17	51364-OC	2	BRACKET, front escape hatch	



✂ Bulk material - order length required in feet or meters.
 ☒ See referenced page for component or assembly breakdown.

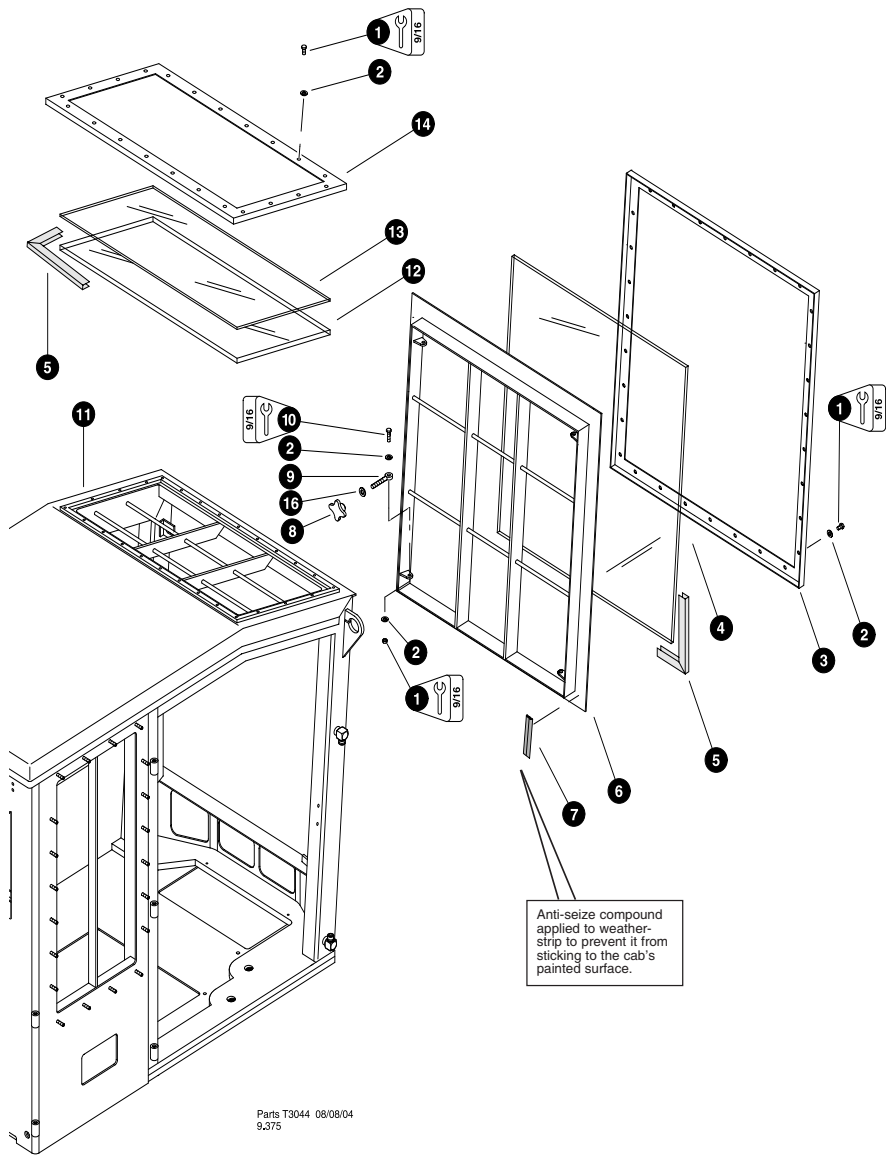


Parts T2978 03/29/04
9.375

WINDOW INSTALLATION
(1 1/4" Front Window for Disc Saw)
(New Latch System)
(machines built after 02/15/04)
(Machines built before 7/26/04)

REF	PART #	QTY	DESCRIPTION	SEE SECTION
1	15507-OC	40	NUT, nylock - 3/8"	
2	15528-OC	54	WASHER, SAE flat - 3/8"	
3	51327-OC	1	FRAME, front window	
4	50918-OC	1	LEXAN, front window/skylight	
5	16230-OC	AR	CHANNEL, window molding	
6	51328-OC	1	HATCH, front window escape	
7	18126-OC	AR	WEATHERSTRIP	
8	12013-OC	6	KNOB, star	
9	42154-OC	4	EYEBOLT, .5-13NC X 4"	
10	10731-OC	4	BOLT - .375" X 1.5"	
11	REF.	1	CAB WELDMENT	OC-1
12	51426-OC	1	FRAME, skylight window	
13	51427-OC	1	FRAME, front window angle - LH	
14	51428-OC	1	FRAME, front window angle - RH	
15	22407-OC	1	LEXAN, sky scratch	
16	15534-OC	6	WASHER, SAE FLAT - .5"	
17	51364-OC	2	BRACKET, front escape hatch	

-  Bulk material - order length required in feet or meters.
-  See referenced page for component or assembly breakdown.

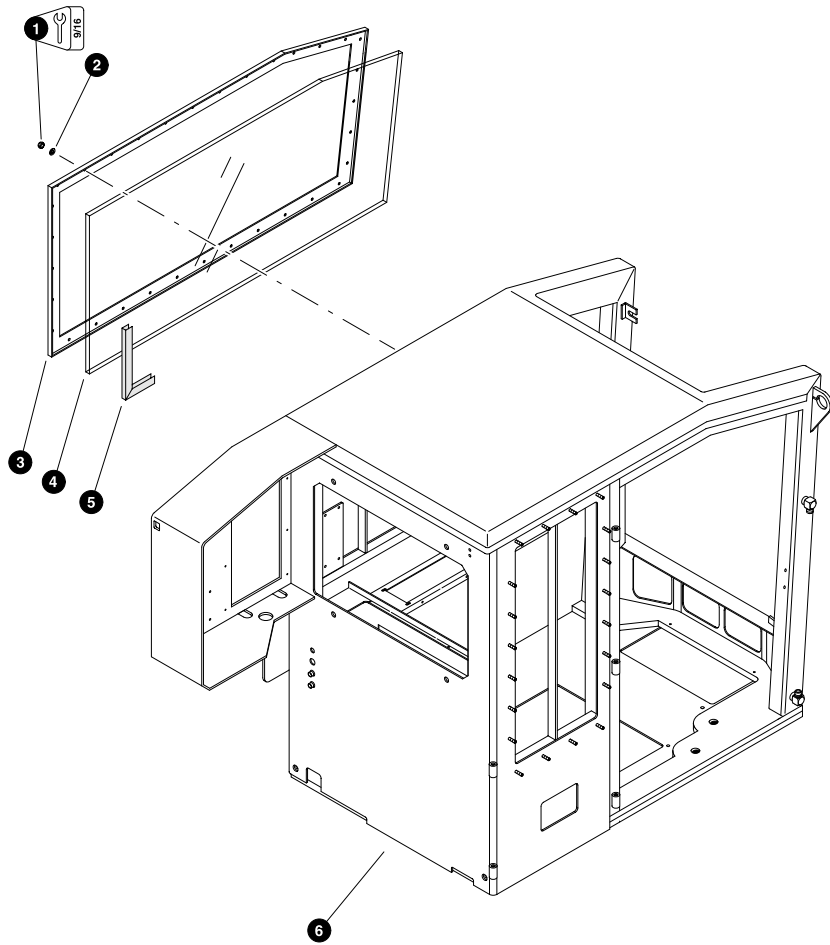


Parts T3044 08/08/04
9.375

WINDOW INSTALLATION
(Standard 1/2" Front Window)
(New Latch System)
(Machines built after 7/26/04)

REF	PART #	QTY	DESCRIPTION	SEE SECTION
1	15542-OC	52	BOLT - .375" X .75"	
2	15528-OC	60	WASHER, SAE flat - 3/8"	
3	51513-OC	1	FRAME, front window	
4	51559-OC	1	LEXAN, front window/skylight	
5	16230-OC	AR	CHANNEL, window molding	
6	51511-OC	1	HATCH, front window escape	
7	18126-OC	AR	WEATHERSTRIP	
8	12013-OC	6	KNOB, star	
9	42154-OC	4	EYEBOLT, .5-13NC X 4"	
10	10731-OC	4	BOLT - .375" X 1.5"	
11	REF.	1	CAB WELDMENT	OC-1
12	51560-OC	1	LEXAN, skylight window	
13	51561-OC	1	LEXAN, sky scratch	
14	51515-OC	1	FRAME, skylight window	

- AR Bulk material - order length required in feet or meters.
- REF See referenced page for component or assembly breakdown.

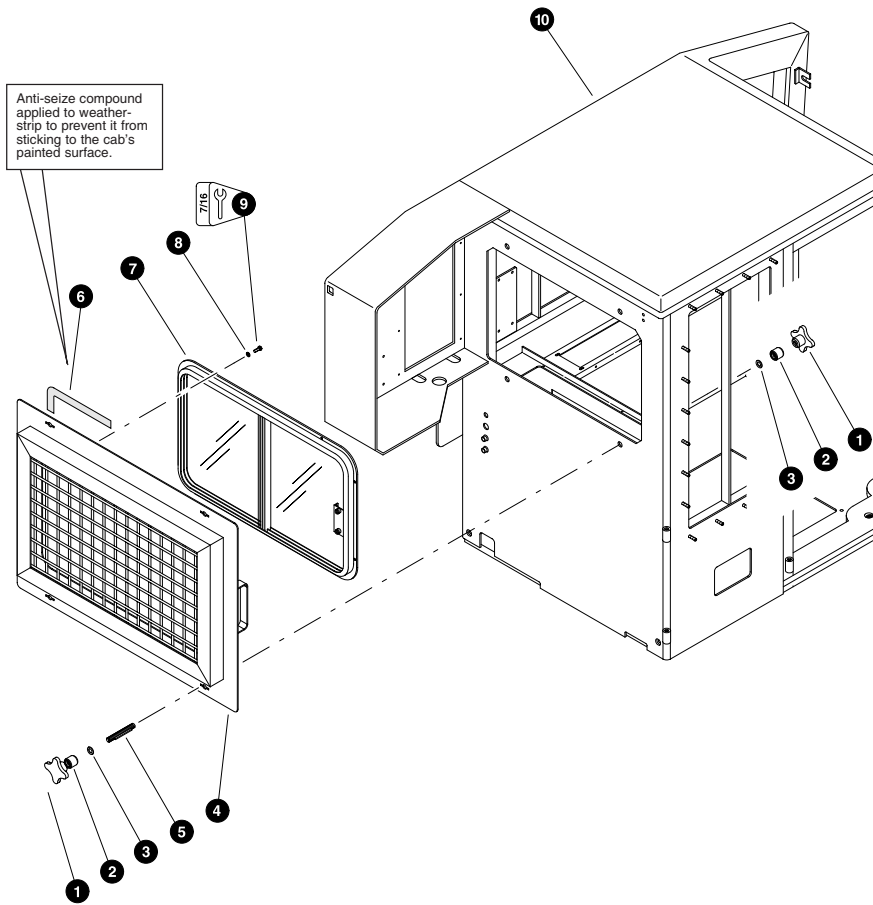


Parts 01126 03/24/99
9,375

WINDOW INSTALLATION (Left Side)

REF	PART #	QTY	DESCRIPTION	SEE SECTION
1	15507-OC	33	NUT, nylock - 3/8"	
2	15528-OC	33	WASHER, SAE flat - 3/8"	
3	22100-OC	1	FRAME, left side window	
4	22206-OC	1	LEXAN, left side window	
5	16230-OC	AR	CHANNEL, window molding	
6	REF.	1	CAB WELDMENT	OC-1



- See referenced page for component or assembly breakdown.
- Bulk material - order length required in feet or meters.

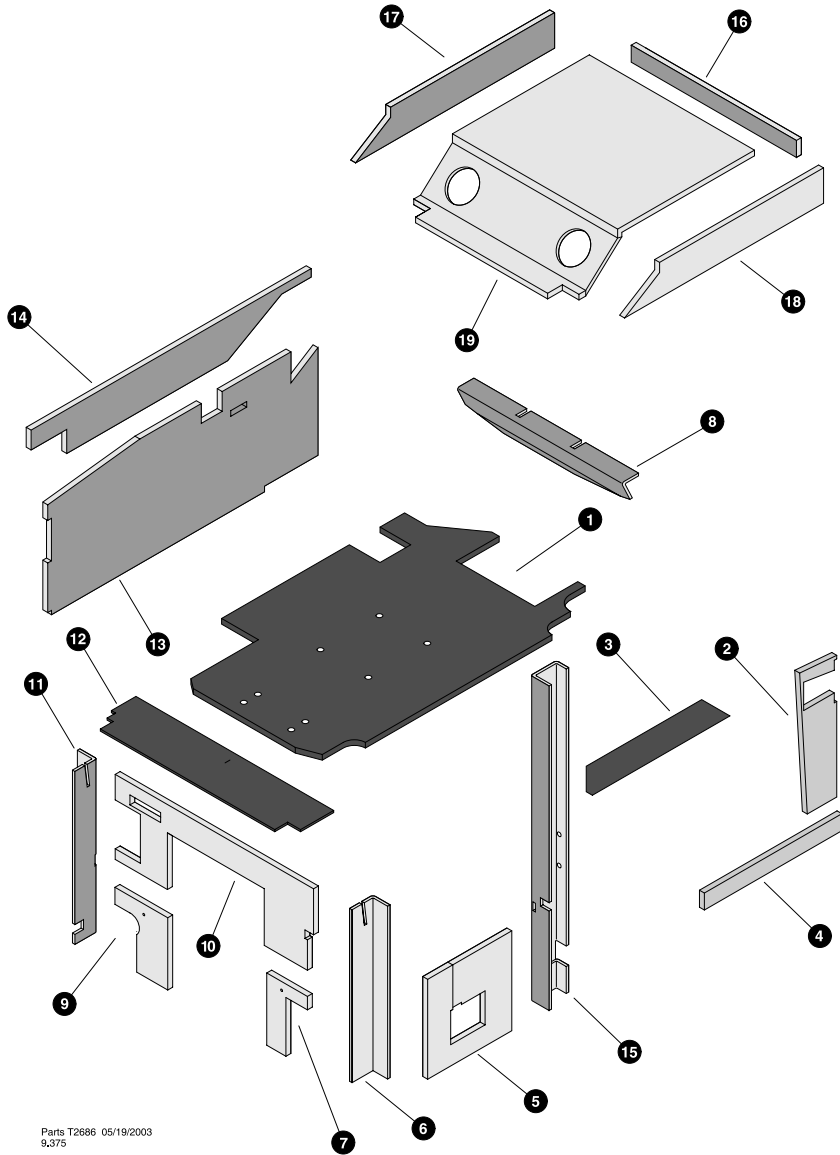


Parts 01127 03/24/99
9.375

WINDOW INSTALLATION (Rear Sliding & Emergency Escape)

REF	PART #	QTY	DESCRIPTION	SEE SECTION
1	12013-OC	2	KNOB, star	
2	16539-OC	2	STAND-OFF	
3	15534-OC	2	WASHER, SAE flat - 1/2"	
4	16858-OC	1	GUARD, rear window	
5	16538-OC	1	STUD, 2-way	
6	15694-OC	AR	WEATHERSTRIP	
7	16423-OC	1	WINDOW, sliding w/frame	
8	10757-OC	8	WASHER, SAE flat - 1/4"	
9	15604-OC	8	BOLT - 1/4" x 3/4"	
10	REF.	1	CAB WELDMENT	OC-1

-  Bulk material - order length required in feet or meters.
-  See referenced page for component or assembly breakdown.

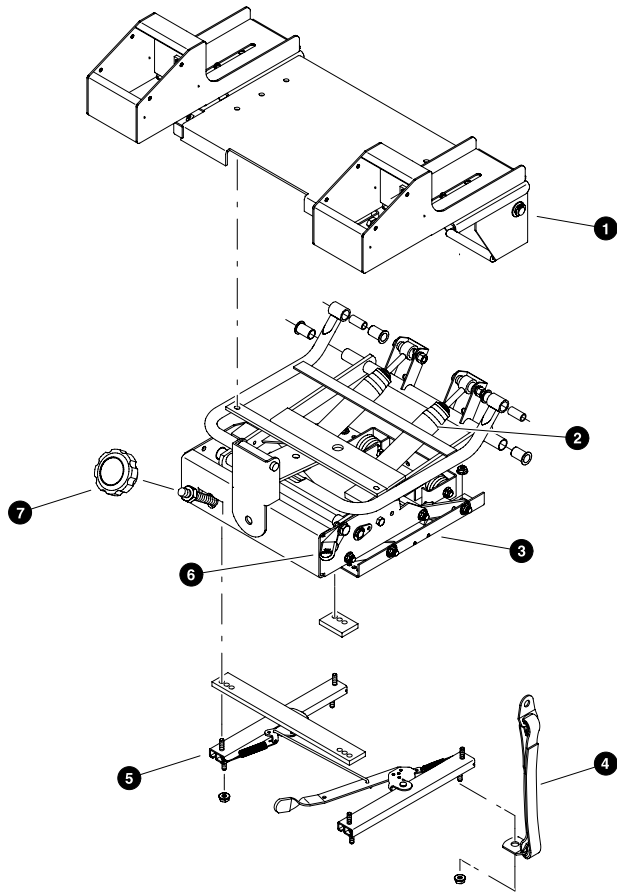


Parts T2686 05/19/2003
9,375

INTERIOR TRIM & FLOORMAT

REF	PART #	QTY	DESCRIPTION	SEE SECTION
-	24720-OC	1	<input type="checkbox"/> KIT, CAB INSULATION - (820/620)	
1	19887-OC	1	FLOORMAT, cab	
2	24473-OC	1	TRIM, panel - door	
3	17358-OC	1	FLOORMAT, door tray	
4	24474-OC	1	TRIM, panel - lower door	
5	20225-OC	1	TRIM, panel - RH light	
6	19881-OC	1	TRIM, formed - RH rear post	
7	20226-OC	1	TRIM, panel - A/C - RH	
8	19883-OC	1	TRIM, panel - rear bottom	
9	20228-OC	1	TRIM, panel - A/C - LH	
10	20229-OC	1	TRIM, panel - rear top	
11	19882-OC	1	TRIM, formed - LH rear post	
12	20230-OC	1	FLOORMAT, rear shelf	
13	20231-OC	1	TRIM, panel - LH bottom	
14	20232-OC	1	TRIM, panel - LH top	
15	19880-OC	1	TRIM, formed - door post	
16	22309-OC	1	TRIM, panel - headliner roof beam	
17	22310-OC	1	TRIM, panel - headliner side strip - RH	
18	22312-OC	1	TRIM, panel - headliner roof	
19	22311-OC	1	TRIM, panel - headliner side strip - LH	

Assembly or Kit - includes all items indented underneath.

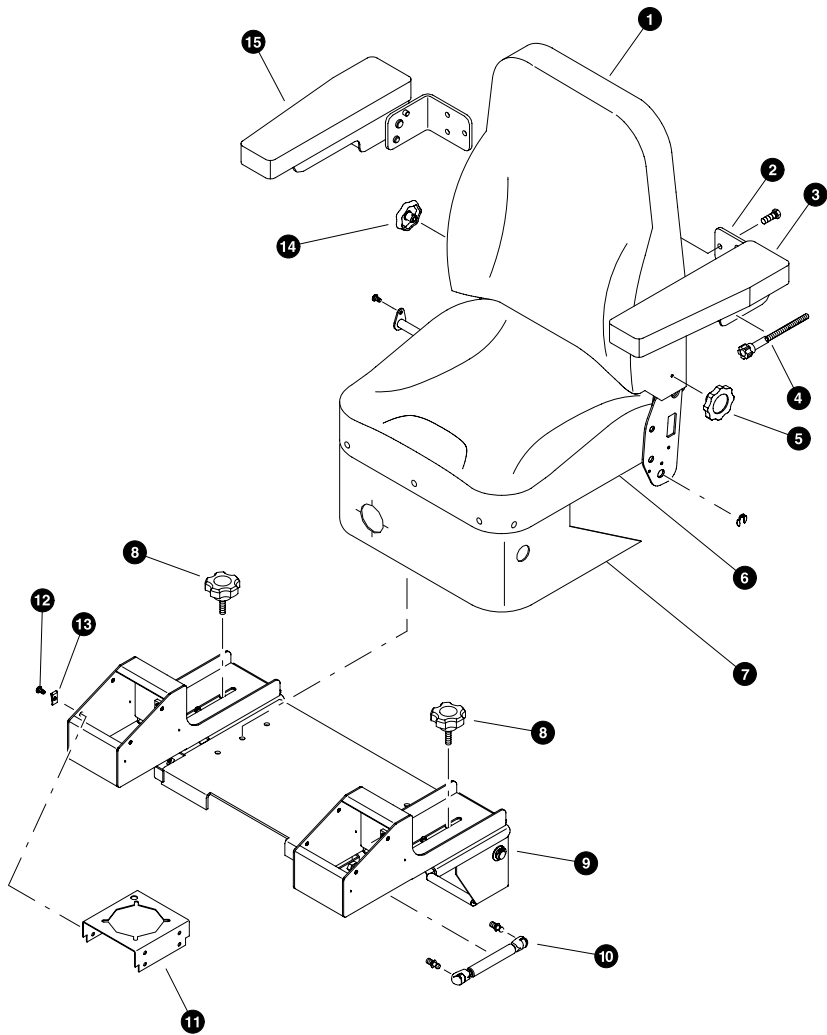


Parts 01041 10/11/2000
18.75

OPERATOR'S SEAT ASSEMBLY (Lower Components)

REF	PART #	QTY	DESCRIPTION	SEE SECTION
-	23070-OC	1	<input type="checkbox"/> SEAT ASSEMBLY	
1	22051-OC	1	CARRIAGE, control (<i>Assembly</i>)	
2	22052-OC	2	KIT, shock absorber	
3	22053-OC	1	CHASSIS, severe duty	
4	22054-OC	2	TETHER (<i>Includes hardware</i>)	
5	22055-OC	1	KIT, track set - 6"	
6	22056-OC	1	LEVER, height adjustment (<i>Includes hardware</i>)	
7	22057-OC	1	KNOB, ride adjustment	

Assembly or Kit - includes all items indented underneath.

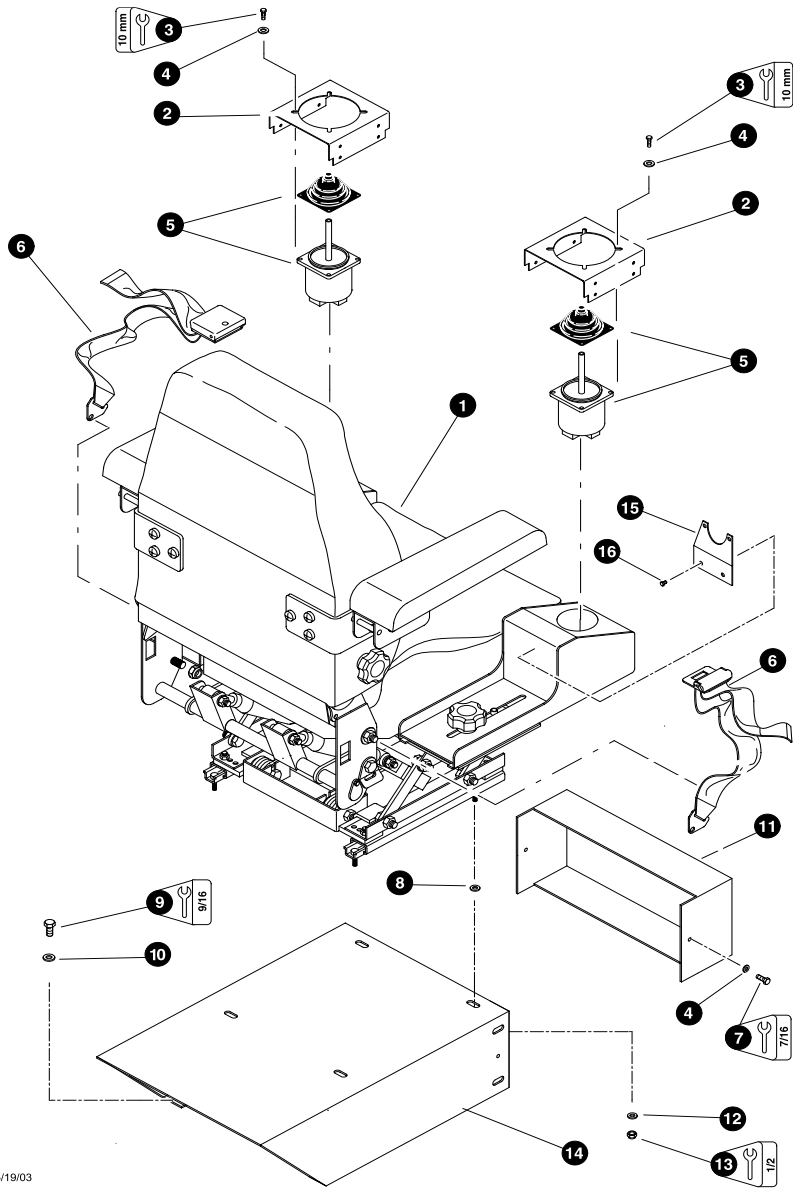


Parts 02102 03/15/2001
18.75

OPERATOR'S SEAT ASSEMBLY (Upper Components)

REF	PART #	QTY	DESCRIPTION	SEE SECTION
-	23070-OC	1	<input type="checkbox"/> SEAT ASSEMBLY	
-	24307-OC	1	<input type="checkbox"/> SEAT BACK ASSEMBLY	
1	22058-OC	1	COVER, seat back	
2	22059-OC	1	KIT, arm pad set <i>(Includes brackets and hardware for LH & RH arm rests)</i>	
3	22060-OC	1	PAD, arm rest - LH	
4	22062-OC	2	KNOB, front arm adjustment	
5	22063-OC	1	KNOB, recliner <i>(Includes hardware)</i>	
6	22064-OC	1	CUSHION, seat	
7	22065-OC	1	SKIRT, seat	
8	22066-OC	2	KNOB, control carriage lock <i>(Includes hardware)</i>	
9	REF.	1	<input type="checkbox"/> CONTROL CARRIAGE	OC-3-8
10	22067-OC	2	SPRING, gas	
11	REF.	2	<input type="checkbox"/> JOYSTICK MOUNTING BRACKET	OC-3-12
12	22068-OC	8	SCREW, machine - 1/4" - 5/8"	
13	22069-OC	8	NUT, speed - 1/4"	
14	22070-OC	1	KNOB, lumbar support adjustment	
15	22061-OC	1	PAD, arm rest - RH	
Items not shown in illustration...				
-	22071-OC	1	SKIRT, joystick mount - LH	
-	22072-OC	1	SKIRT, joystick mount - RH	

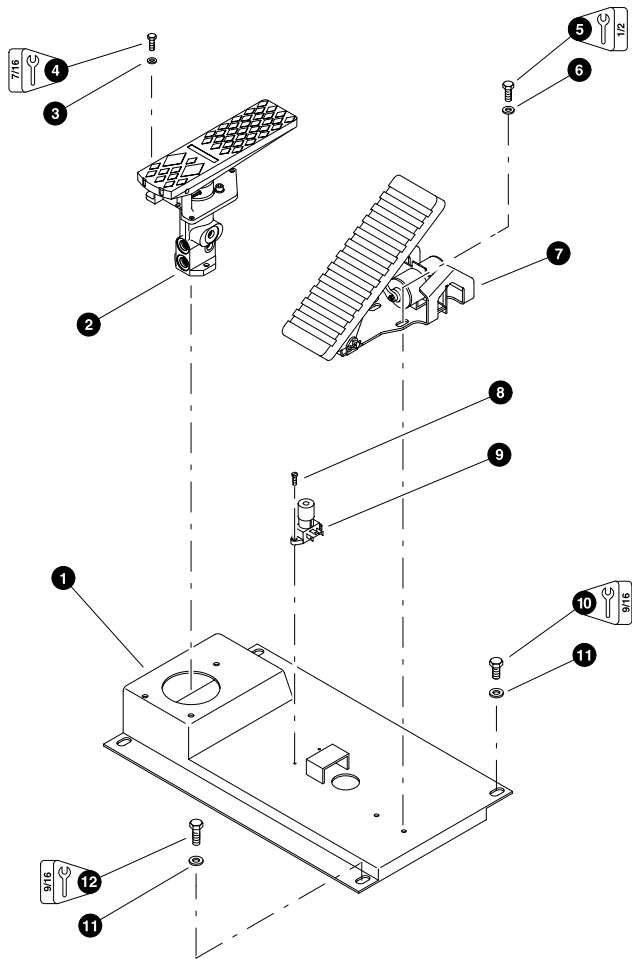
- Assembly or Kit - includes all items indented underneath.
- See referenced page for component or assembly breakdown.



OPERATOR'S SEAT INSTALLATION

REF	PART #	QTY	DESCRIPTION	SEE SECTION
1	REF.	1	SEAT ASSEMBLY	OC-3
2	80048-OC	1	BRACKET, joystick mounting	
3	16133-OC	8	BOLT - 6mm-1.0P x 16mm	
4	10800-OC	4	WASHER, flat - 1/4"	
5	REF.	2	HAND CONTROL JOYSTICK	ES-5
6	18006-OC	4	BELT, seat - 3" wide	
7	15604-OC	2	BOLT - 1/4" x 3/4"	
8	10803-OC	4	WASHER, flat - 7/16"	
9	10402-OC	4	BOLT - 3/8" x 1-1/4"	
10	15528-OC	4	WASHER, SAE flat - 3/8"	
11	14385-OC	1	BRACKET, kick plate	
12	14384-OC	1	BRACKET, seat mounting	
13	10788-OC	4	NUT, nylock - 5/16"	
14	10801-OC	4	WASHER, flat - 5/16"	
15	40912-OC	1	BRACKET, steer control (after 05/01/03)	
16	17255-OC	2	SCREW, SELF TAPPING - #10-24 X .75"	

See referenced page for component or assembly breakdown.

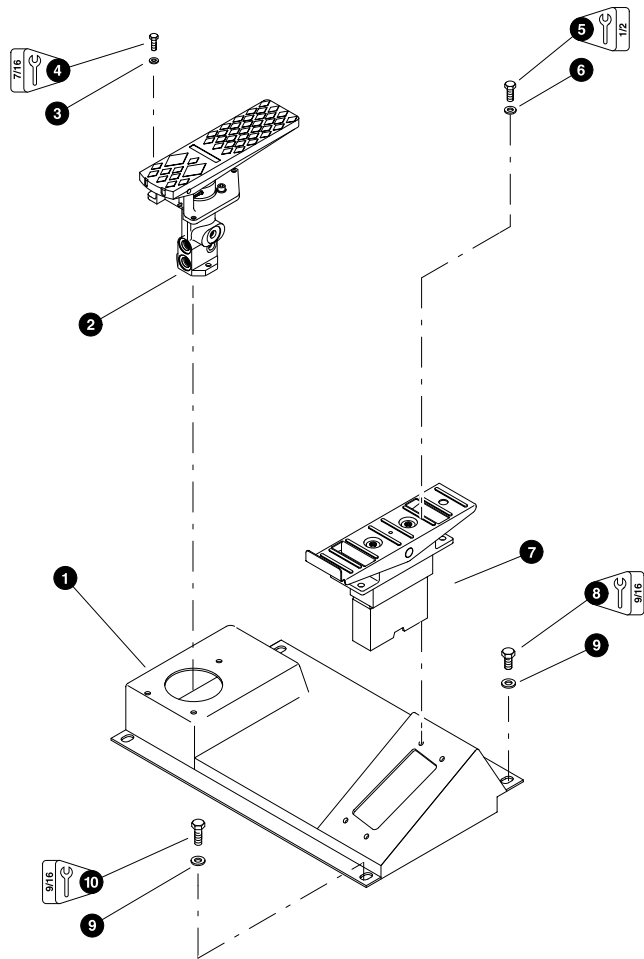


Parts 02367 08/23/2001
25.00

FOOT CONTROL VALVE INSTALLATION

REF	PART #	QTY	DESCRIPTION	SEE SECTION
1	14344-OC	1	BRACKET, foot pedal control (single axis)	
2	REF.	1	TRAVEL BRAKE FOOT CONTROL VALVE	WD-4-4
3	10757-OC	3	WASHER, SAE flat - 1/4"	
4	15604-OC	3	BOLT - 1/4" x 3/4"	
5	15589-OC	2	BOLT - 5/16" x 1"	
6	15559-OC	2	WASHER, SAE flat - 5/16"	
7	REF.	1	WHEEL DRIVE FOOT CONTROL	ES-5-4
8	18298-OC	2	SCREW, slotted hex head - #10-24 x 3/4"	
9	24997-OC	1	SWITCH, forward - reverse	
10	11707-OC	2	BOLT - 3/8" x 1"	
11	15528-OC	4	WASHER, SAE flat - 3/8"	
12	10402-OC	2	BOLT - 3/8" x 1-1/4"	

☞ See referenced page for component or assembly breakdown.

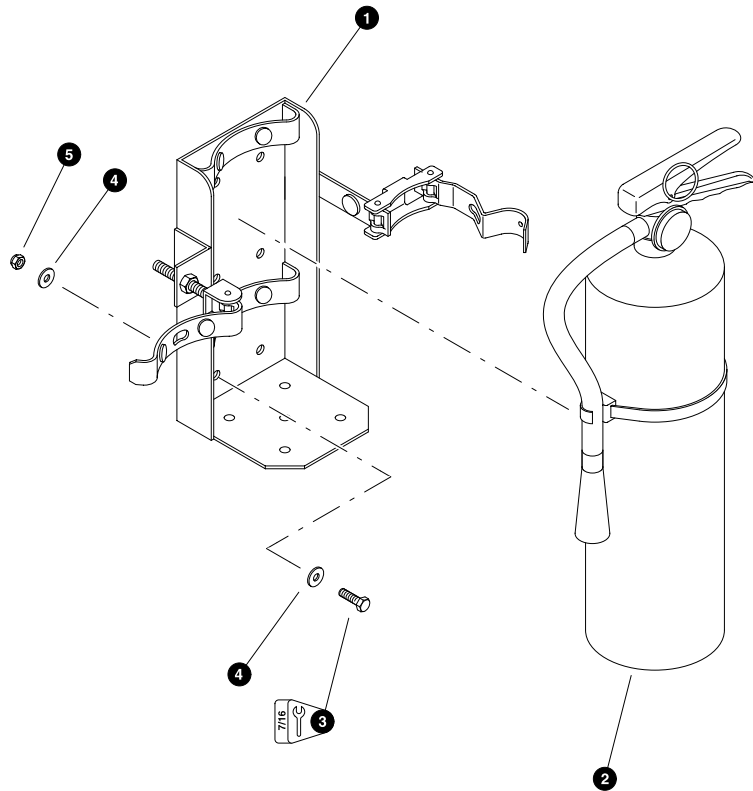


Parts T2897 09/23/2003
25,00

FOOT CONTROL VALVE INSTALLATION

REF	PART #	QTY	DESCRIPTION	SEE SECTION
1	51212-OC	1	BRACKET, foot pedal control (dual axis)	
2	REF.	1	TRAVEL BRAKE FOOT CONTROL VALVE	WD-4-4
3	10757-OC	3	WASHER, SAE flat - 1/4"	
4	15604-OC	3	BOLT - 1/4" x 3/4"	
5	15589-OC	2	BOLT - 5/16" x 1"	
6	15559-OC	2	WASHER, SAE flat - 5/16"	
7	REF.	1	WHEEL DRIVE FOOT CONTROL	ES-5-4
8	11707-OC	2	BOLT - 3/8" x 1"	
9	15528-OC	4	WASHER, SAE flat - 3/8"	
10	10402-OC	2	BOLT - 3/8" x 1-1/4"	

See referenced page for component or assembly breakdown.

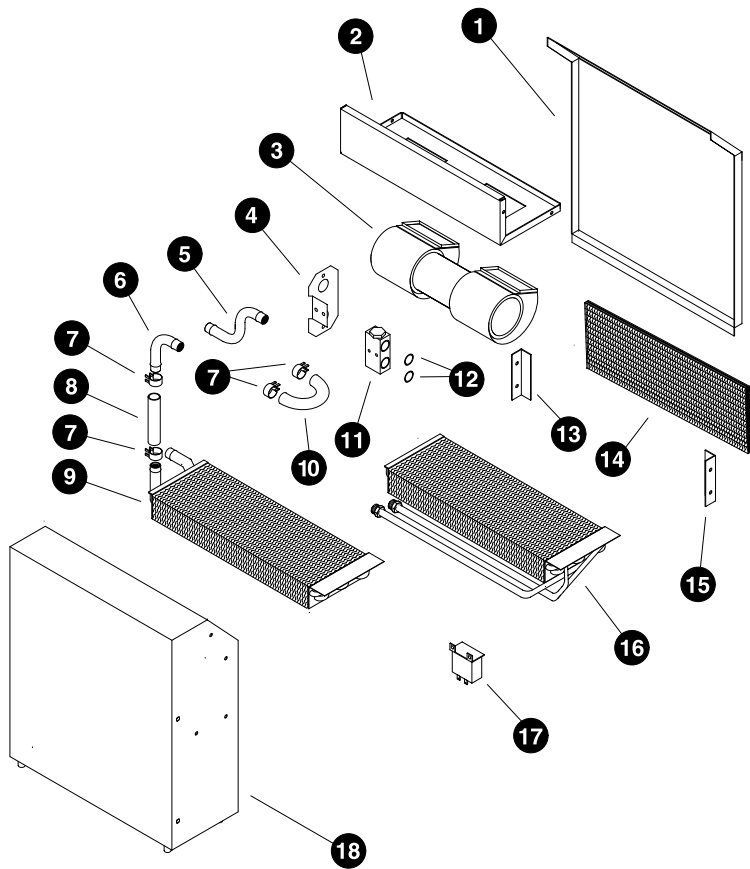


Parts 01136 10/12/2000
37.50

FIRE EXTINGUISHER INSTALLATION

REF	PART #	QTY	DESCRIPTION	SEE SECTION
-	16222-OC	1	<input type="checkbox"/> FIRE EXTINGUISHER (Includes mounting bracket)	
1	NSS	1	BRACKET, fire extinguisher mounting	
2	NSS	1	EXTINGUISHER, fire	
3	15576-OC	4	BOLT - 1/4" x 1"	
4	10800-OC	4	WASHER, flat - 1/4"	
5	15509-OC	4	NUT, nylock - 1/4"	

Assembly or Kit - includes all items indented underneath.

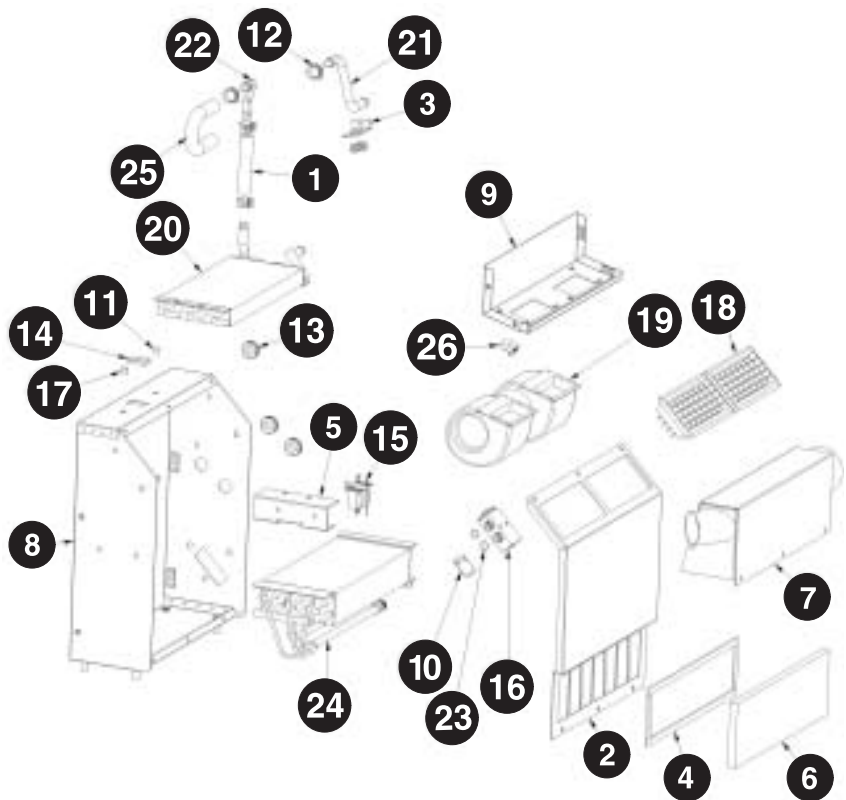


Parts T2690 05/27/03
12.50

AIR CONDITIONER / HEATER UNIT
(Machines Built After 10/24/02 and Before 02/01/04)

REF	PART #	QTY	DESCRIPTION	SEE SECTION
-	50059-OC	1	<input type="checkbox"/> Kit, Heater/Air Conditioner (Eagle 24V)	
1		1	Housing Cover (203029)	
2		1	Blower Mount (203026)	
3		1	Blower 24V (405842)	
4		1	Exp. Valve Brkt. (102887)	
5		1	Hard Plumb, Jog (405852)	
6		1	Hard Plumb, 90 deg (405853)	
7		4	Hose Clamp (5/8) (301159)	
8		1	Hose (5/8)	
9		1	Heater Coil (405851)	
10		1	Hose (5/8)	
11		1	Expansion Valve (405017)	
12		2	O-Ring, #8, HNBR (405863)	
13		1	Filter Support R.S. (203031)	
14		1	Filter	
15		1	Filter Support L.S. (203027)	
16		1	Evaporator Coil (405850)	
17		1	Thermostat Switch (405484)	
18		1	Main Housing (203025)	

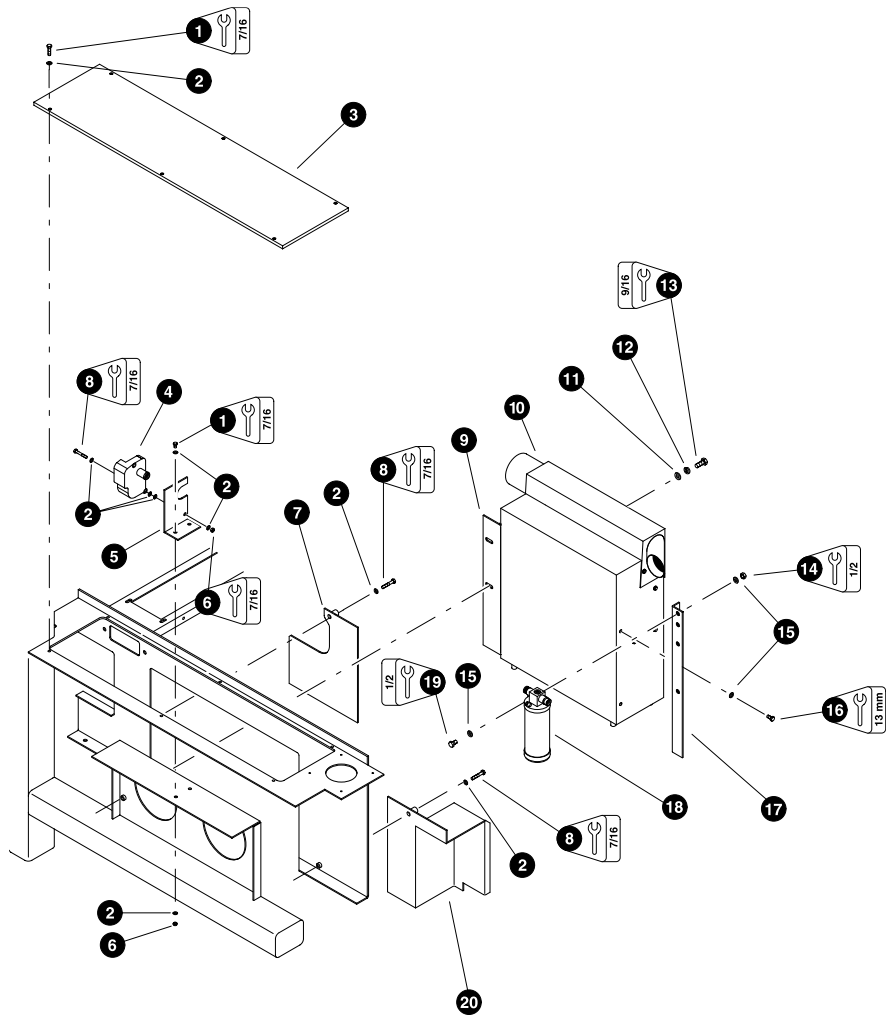
Kit or Assembly includes all items Underneath



AIR CONDITIONER / HEATER UNIT
(Machines Built After 02/01/04)

REF	PART #	QTY	DESCRIPTION	SEE SECTION
-	51349-OC	1	<input type="checkbox"/> Kit, Heater/Air Conditioner (Eagle 24V)	
-		1	<input type="checkbox"/> Evaporator Unit, Eagle AC/Heater (EE201-9-24)	
1		1	Hose (5/8)	
2		1	Fastner, Air Filter (090239)	
3		1	Hard Plumb bracket (102992)	
4		1	Housing Cover (203141)	
5		1	Coil Support Bracket (103028)	
6		1	Air Filter (110520)	
7		1	Air Plenum (203140)	
8		1	Main Housing (203141)	
9		1	Blower Mount (203139)	
10		1	Exp. Valve Brkt. (203129)	
11		1	Hole Plug (300641)	
12		4	Hose Clamp (5/8) (301159)	
13		3	Grommet 1" (402336)	
14		1	Hole Plug Rectangle (404750)	
15		1	Thermostat Switch (404968)	
16		1	Expansion Valve (405017)	
17		1	Hole Plug (405278)	
18		1	Louver (405787)	
19		1	Blower 24V (405833)	
20		1	Heater Coil (406429)	
21		1	Hard Plumb, Jog (406432)	
22		1	Hard Plumb, 90 deg (405853)	
23		2	O-Ring, #8, HNBR (405863)	
24		1	Evaporator Coil (406428)	
25		1	Hose (5/8)	
26		1	Diode, Isolator	

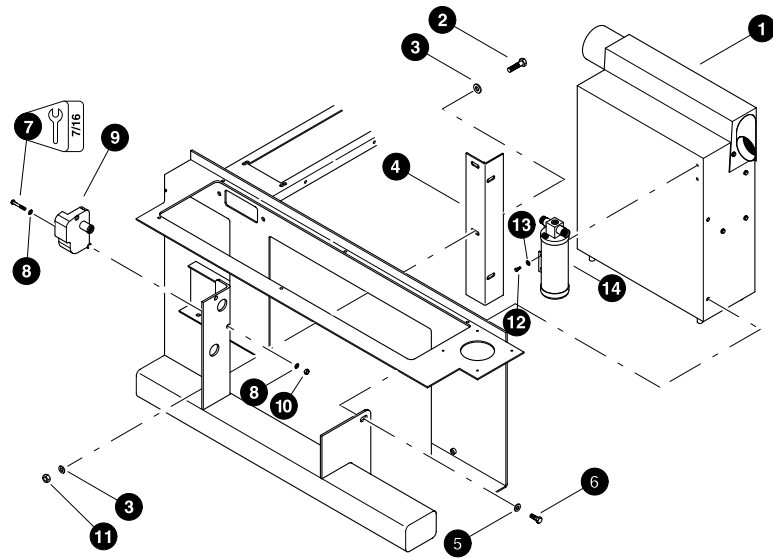
Kit or Assembly includes al items Underneath



Parts T2689 05/21/03
12.50

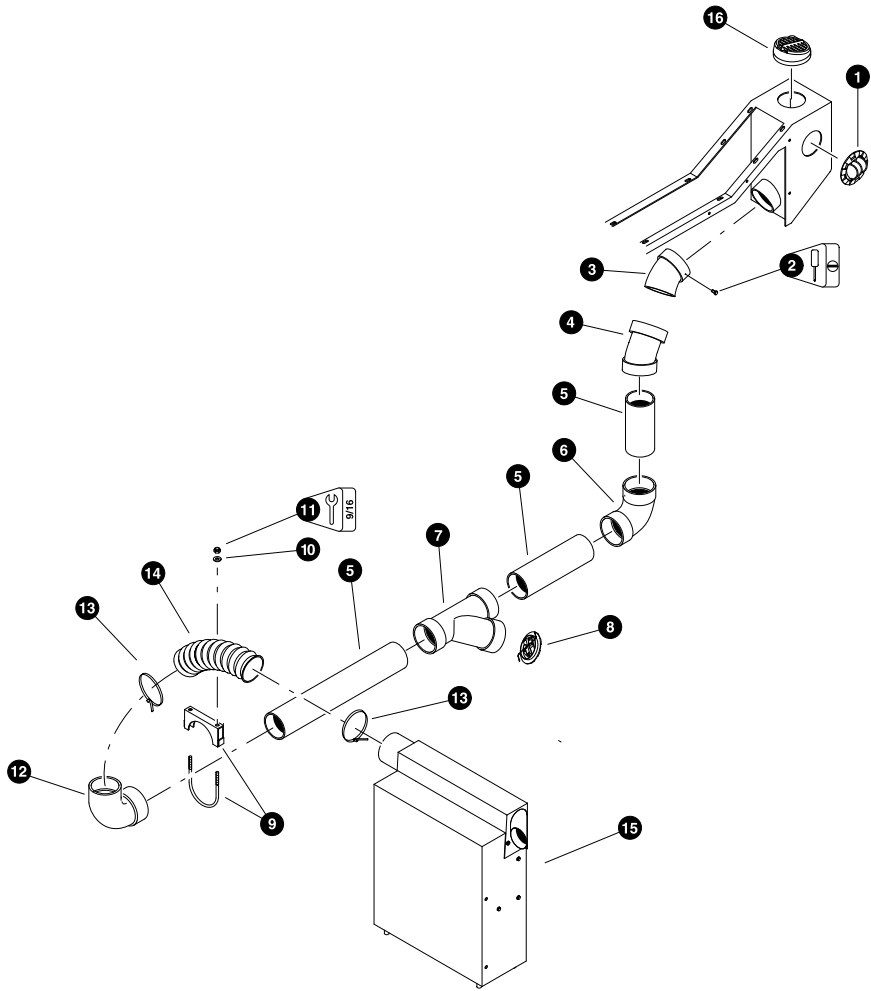
AIR CONDITIONER / HEATER UNIT INTALLATION
(Machines Built After 10/24/02 and Before 02/01/04)

REF	PART #	QTY	DESCRIPTION	SEE SECTION
1	15604-OC	8	BOLT - 1/4" X 3/4"	
2	10757-OC	4	WASHER, SAE flat - 1/4"	
3	22258-OC	1	COVER, access - A/C	
4	51269-OC	1	VALVE, Water (24V Eagle System)	
5	40651-OC	1	BRACKET, water valve - Mount	
6	15509-OC	4	NUT, nylock - 1/4"	
7	20885-OC	1	COVER, access -A/C	
8	15575-OC	2	BOLT - 1/4" X 1-1/2"	
9	40653-OC	1	BRACKET, A/C Heater - Mount	
10	REF	1	KIT, Heater/Air Conditioner (Eagle 24V)	OC-4
11	15528-OC	4	WASHER, SAE flat - 3/8"	
12	10701-OC	4	WASHER, lock - 3/8"	
13	11707-OC	4	BOLT - 3/8" X 1"	
14	11788-OC	2	NUT, nylock 5/16"	
15	10801-OC	8	WASHER, SAE flat - 5/16"	
16	25059-OC	4	BOLT, 8mm - 1.25p x 20mm	
17	40652-OC	1	MOUNT, A/C	
18	50937-OC	1	DRIER, A/C - (Eagle 24V System)	
19	15589-OC	2	BOLT, 5/16 x 1"	
20	20886-OC	1	COVER, access	



AIR CONDITIONER / HEATER UNIT INTALLATION
(Machines Built After 02/01/04)

REF	PART #	QTY	DESCRIPTION	SEE SECTION
1	REF	1	KIT, Heater/Air Conditioner (Eagle 24V)	OC-4
2	11707-OC	4	BOLT - 3/8" X 1"	
3	15528-OC	4	WASHER, SAE flat - 3/8"	
4	41504-OC	1	BRACKET, A/C Heater - Mount	
5	10801-OC	8	WASHER, SAE flat - 5/16"	
6	25059-OC	4	BOLT, 8mm - 1.25p x 20mm	
7	15575-OC	2	BOLT - 1/4" X 1-1/2"	
8	10757-OC	4	WASHER, SAE flat - 1/4"	
9	51269-OC	1	VALVE, Water (24V Eagle System)	
10	15509-OC	4	NUT, nylock - 1/4"	
11	10813-OC	2	NUT, LOCK - .375"	
12	17254-OC	2	SCREW, self-tapping - #10-24 x 1/2"	
13	10757-OC	4	WASHER, SAE flat - 1/4"	
14	50937-OC	1	DRIER, A/C - (Eagle 24V System)	

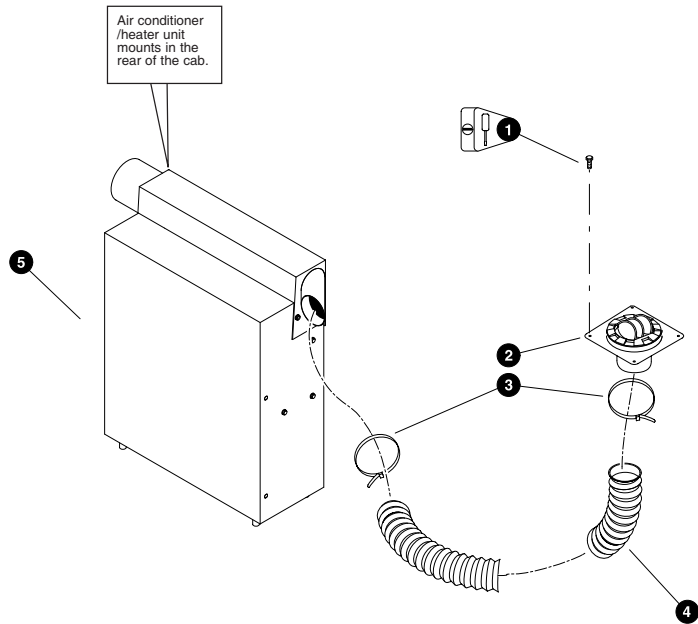


Parts T2691 05/27/2003
12,50

AIR CONDITIONER / HEATER DUCT INSTALLATION (Under Dash Area)

REF	PART #	QTY	DESCRIPTION	SEE SECTION
1	50939-OC	2	VENT, adjustable air	
2	17254-OC	1	SCREW, self-tapping - #10-24 x 1/2"	
3	20879-OC	1	ELBOW, 22° ABS	
4	20881-OC	1	ELBOW, 45° ABS	
5	20883-OC	AR	PIPE, ABS - 3"	
6	20882-OC	1	ELBOW, 90° ABS	
7	21544-OC	1	TEE, ABS - 3"	
8	20877-OC	1	VENT, adjustable air	
9	20257-OC	1	CLAMP (Includes mounting hardware)	
10	15528-OC	2	WASHER, SAE flat - 3/8"	
11	10700-OC	2	NUT, hex -3/8"	
12	42170-OC	1	ELBOW, 90° ABS	
13	16290-OC	2	STRAP, tie	
14	20884-OC	AR	HOSE, flexible - 3-1/2"	
15	REF.	1	AIR CONDITIONER / HEATER UNIT	OC-4

- ✂ Built material - order length required in feet or meters.
- ☐ Kit or Assembly - includes all items indented underneath.
- 📦 See referenced page for component or assembly breakdown.

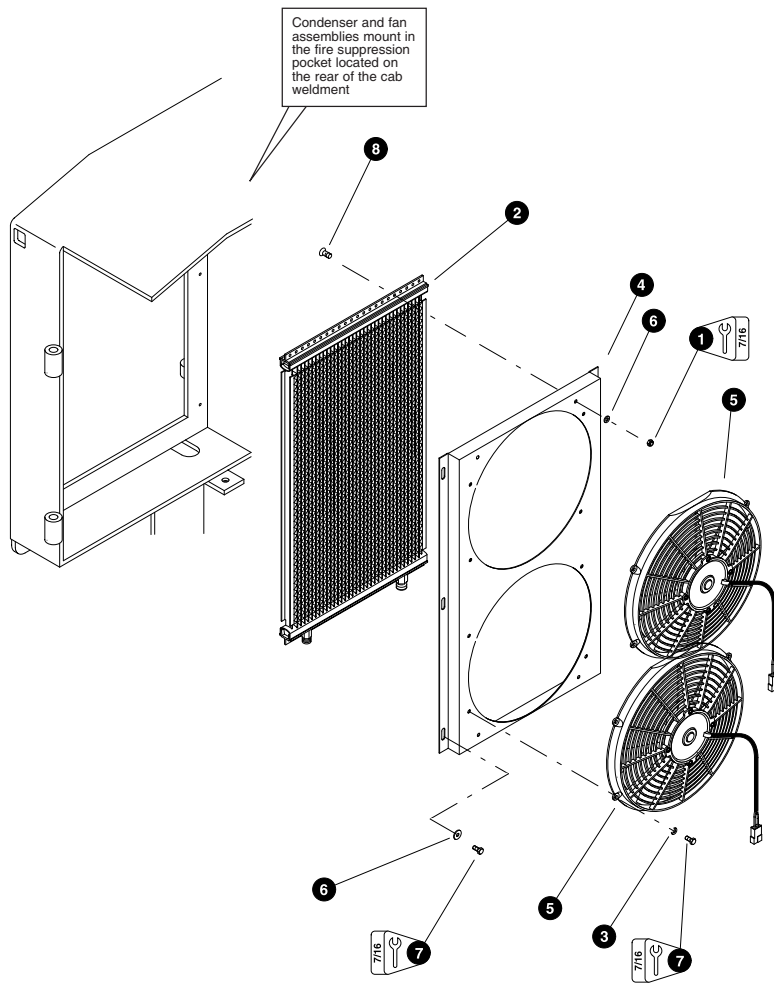


Parts T2692 03/27/031
18.75

AIR CONDITIONER / HEATER DUCT INSTALLATION (Right Side Window)

REF	PART #	QTY	DESCRIPTION	SEE SECTION
1	17254-OC	4	SCREW, SELF-TAPPING - #10-24 X 1	
2	50939-OC	1	VENT, adjustable air (Eagle Unit)	
3	16290-OC	2	STRAP, tie	
4	50938-OC	AR	HOSE, flexible - 2 1/2"	
5	REF	1	AIR CONDITIONER / HEATER UNIT	OC-4

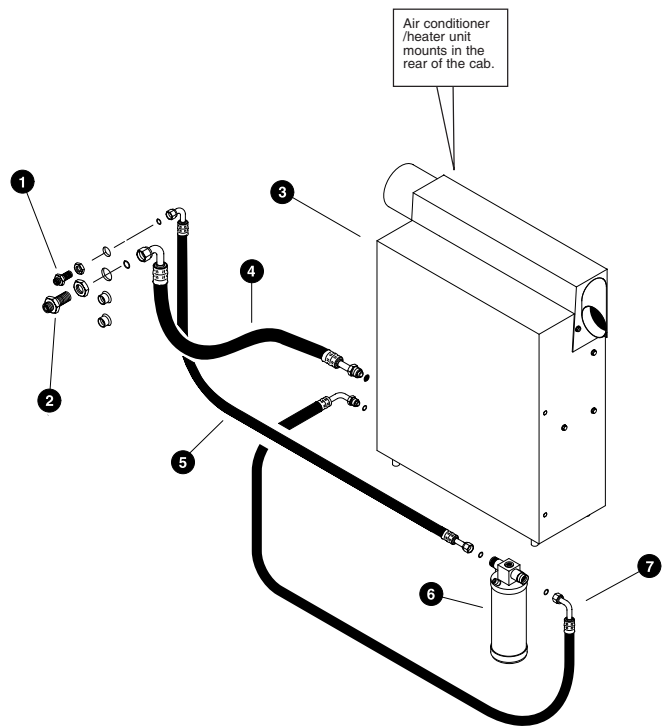
Bulk material - order length required in feet or meters.
 See referenced page for component or assembly breakdown.



Parts T2693 05/27/2003
25,00

AIR CONDITION COMPONENT INSTALLATION
(Condenser Rubber Isolator Mounted To A/C Fan Panel)

REF	PART #	QTY	DESCRIPTION	SEE SECTION
1	15509-OC	4	NUT, nylock - 1/4"	
2	50942-OC	1	CONDENSER, air conditioner (Eagle)	
3	50540-OC	3	WASHER, lock (shake proof) .25	
4	50537-OC	1	PANEL, A/C fan mounting (Eagle)	
5	50941-OC	2	MOTOR / FAN ASSEMBLY - 24V	
6	10757-OC	10	WASHER, SAE flat - 1/4"	
7	15604-OC	14	BOLT - 1/4" X 3/4"	
8	19243-OC	4	SCREW, machine - .25 x 1"	

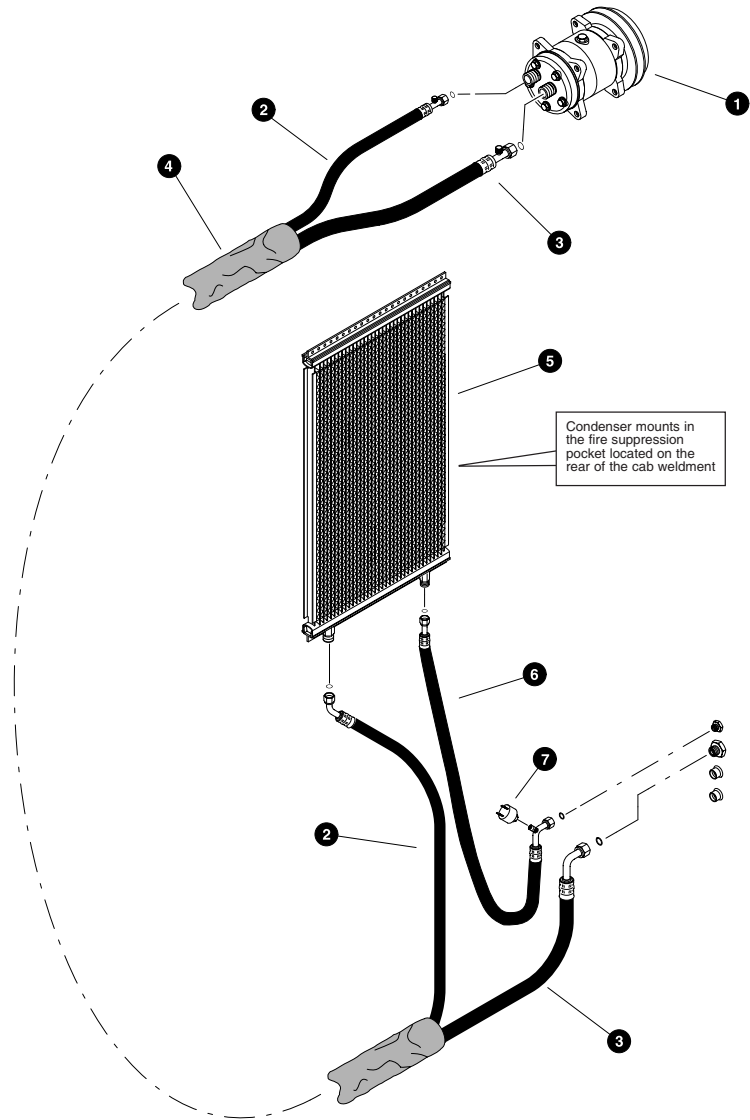


Parts T2694 05/28/03
18.75

**AIR CONDITIONER LINES
(Cab Interior)**

REF	PART #	QTY	DESCRIPTION	SEE SECTION
1	50943-OC	1	CONNECTOR, straight bulkhead - #6	
2	50944-OC	1	CONNECTOR, straight bulkhead - #10	
3	REF	1	<input type="checkbox"/> AIR CONDITIONER / HEATER UNIT	OC-4
4	50945-OC	1	HOSE (Bulkhead fitting to air conditioner/heater unit)	
5	50946-OC	1	HOSE (Drier assembly to bulkhead fitting)	
6	50937-OC	1	DRIER, A/C - (Eagle 24V System)	
7	50947-OC	1	HOSE (Air conditioner/heater unit to drier assembly)	

See referenced page for component or assembly breakdown.

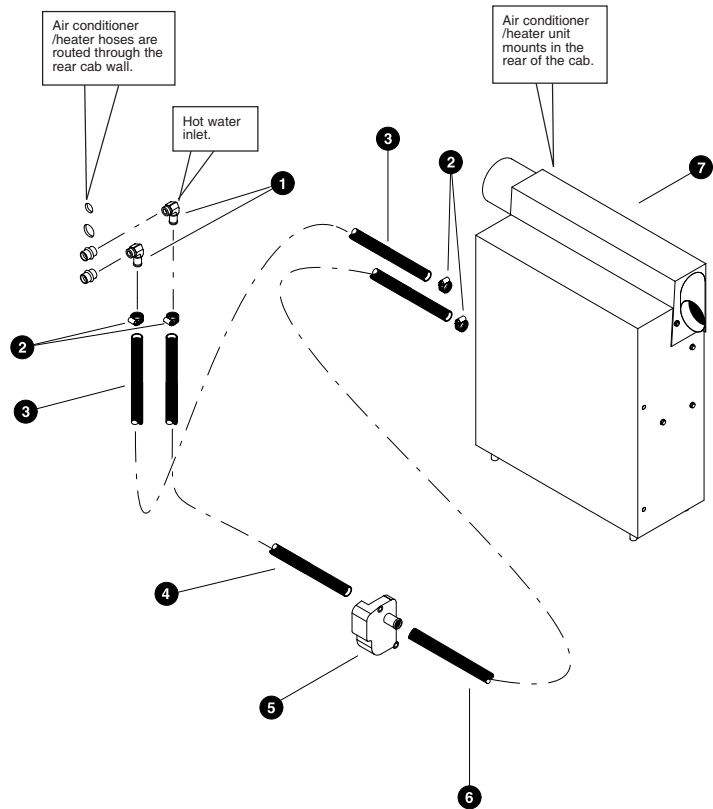


Parts T2695 05/28/2003
18,75

AIR CONDITIONER LINES (Cab Exterior)

REF	PART #	QTY	DESCRIPTION	SEE SECTION
1	50510-OC	1	COMPRESSOR, A/C - R134A 924V)	
2	50948-OC	1	HOSE, air conditioner - #8 x 127" (Female STR/Female 45°) (Compressor to condenser)	
3	50949-OC	1	HOSE, air conditioner - #10 x 115" (Female STR/Female 90°) (Compressor to bulkhead fitting)	
4	17572-OC	1	SLEEVE, protective hose - 2-1/4"	
5	REF	1	CONDENSER	OC-4
6	50950-OC	1	HOSE, air conditioner - #6 x 14-1/2" (Female 90°/Female STR) (Condenser to water sensor valve)	
7	50951	1	SWITCH, binary	

See referenced page for component or assembly breakdown.
Bulk material - order length required in feet or meters.

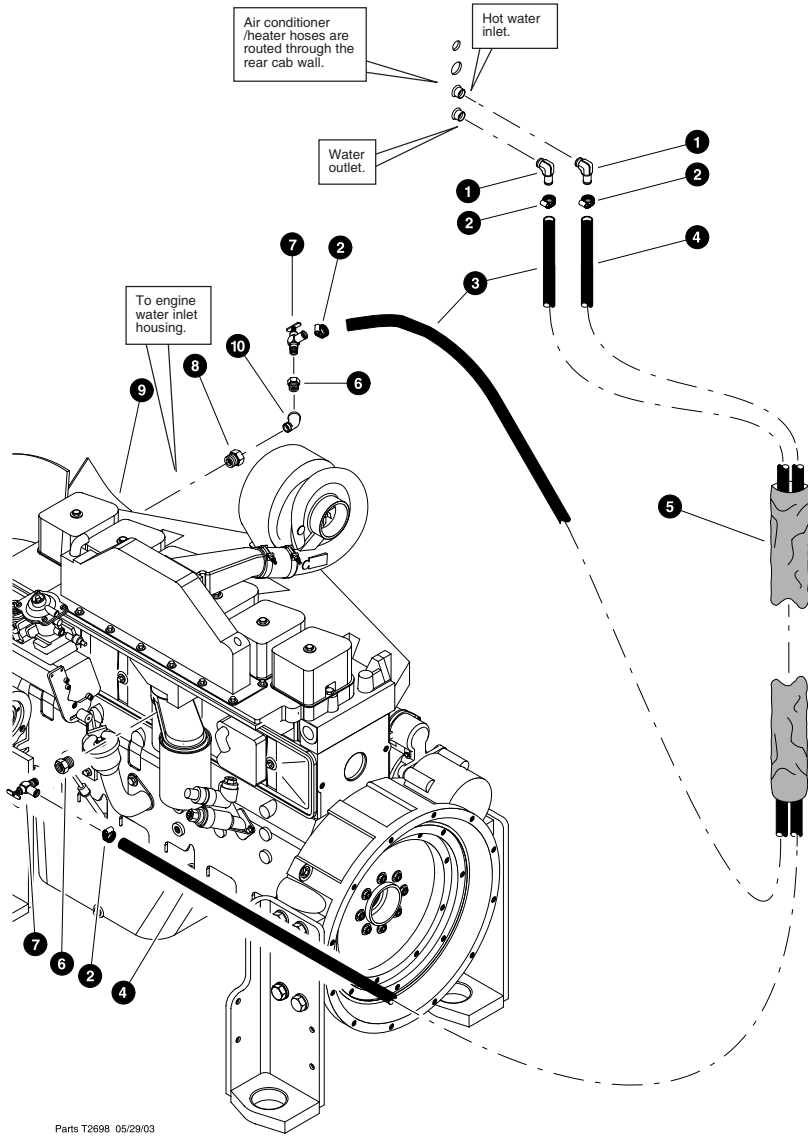


Parts T2696 05/28/03
16,75

HEATER LINES (Cab Interior)

REF	PART #	QTY	DESCRIPTION	SEE SECTION
1	20903-OC	2	ELBOW, 90° brass	
2	10759-OC	6	CLAMP, hose - worm style - 7/8"	
3	16717-OC	1	HOSE, heater - 5/8" (Air conditioner/heater unit water outlet to bulkhead elbow)	
4	16717-OC	1	HOSE, heater - 5/8" (Air conditioner/heater unit water inlet to bulkhead elbow)	
5	51269-OC	1	VALVE, Water (24V Eagle System)	
6	16717-OC	1	HOSE, heater 5/8" (A/C Heater unit to water valve)	
7	REF	1	AC/Heater unit	OC-4

- ⌘ Bulk material - order length required in feet or meters.
- ☒ See referenced page for component or assembly breakdown.





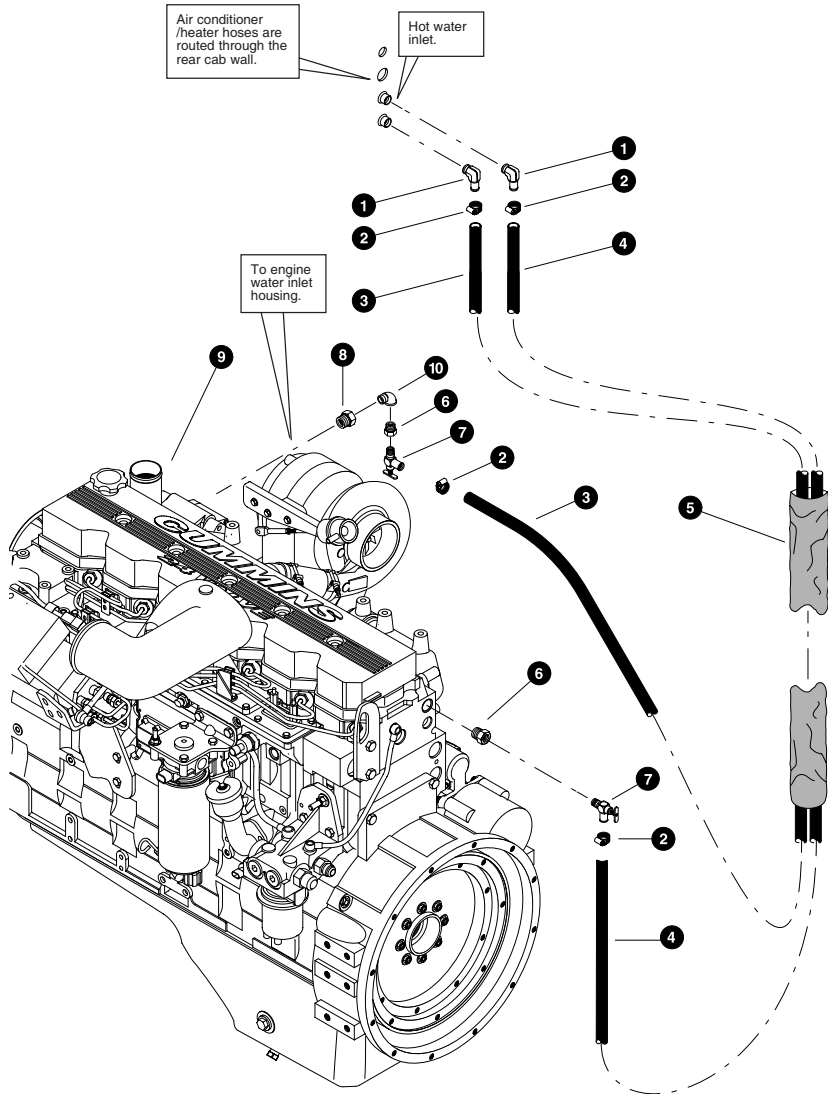
Parts T2698 05/29/03
18,75

**HEATER LINES
(Cab Exterior)**

(Cummins C8.3)

REF	PART #	QTY	DESCRIPTION	SEE SECTION
1	20903-OC	2	ELBOW, 90° brass	
2	10759-OC	4	CLAMP, hose - worm style - 7/8"	
3	16717-OC	1	HOSE, heater - 5/8" (Bulkhead elbow to engine)	
4	16717-OC	1	HOSE, heater - 5/8" (Bulkhead elbow to engine)	
5	17572-OC	1	SLEEVE, protective hose - 2-1/4"	
6	15630-OC	1	BUSHING, reducer - 5406-8-6	
7	15631-OC	2	VALVE, shut-off	
8	16831-OC	1	BUSHING, reducer - 5406-12-8	
9	REF.	1	ENGINE	EN-3
10	16122-OC	1	ELBOW, black 45° street - 1/2"	

-  Bulk material - order length required in feet or meters.
-  See referenced page for component or assembly breakdown.



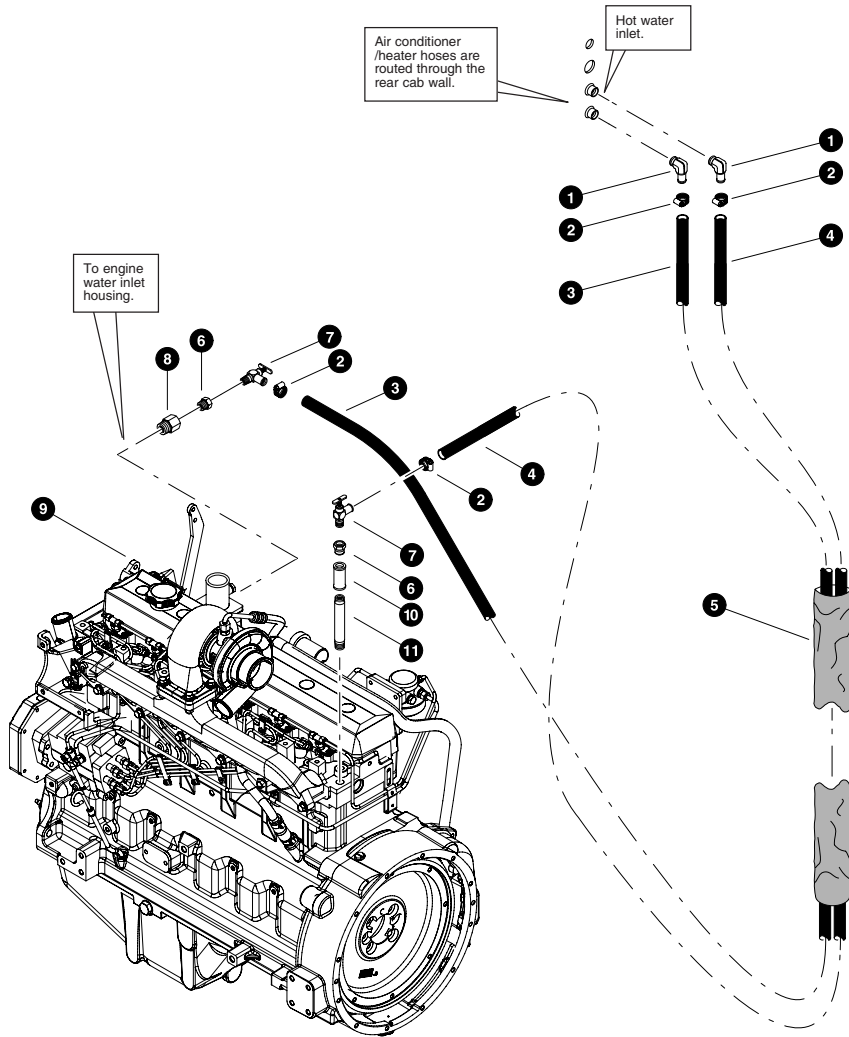
Parts T2697 05/29/03
18,75

HEATER LINES (Cab Exterior)

(Cummins QSC8.3)

REF	PART #	QTY	DESCRIPTION	SEE SECTION
1	20903-OC	2	ELBOW, 90° brass	
2	10759-OC	4	CLAMP, hose - worm style- 7/8"	
3	16717-OC	1	HOSE, heater - 5/8" (Bulkhead elbow to engine)	
4	16717-OC	1	HOSE, heater - 5/8" (Bulkhead elbow to engine)	
5	17572-OC	1	SLEEVE, protective hose - 2-1/4"	
6	15630-OC	1	BUSHING, reducer - 5406-8-6	
7	15631-OC	2	VALVE, shut-off	
8	15513	1	BUSHING, reducer - 5406-12-8	
9	REF		ENGINE - QSC8.3	EE-3
10	15660-OC	1	ELBOW, black 90° street - 1/2"	

- ✂ Bulk material - order length required in feet or meters.
- ☞ See referenced page for component or assembly breakdown.





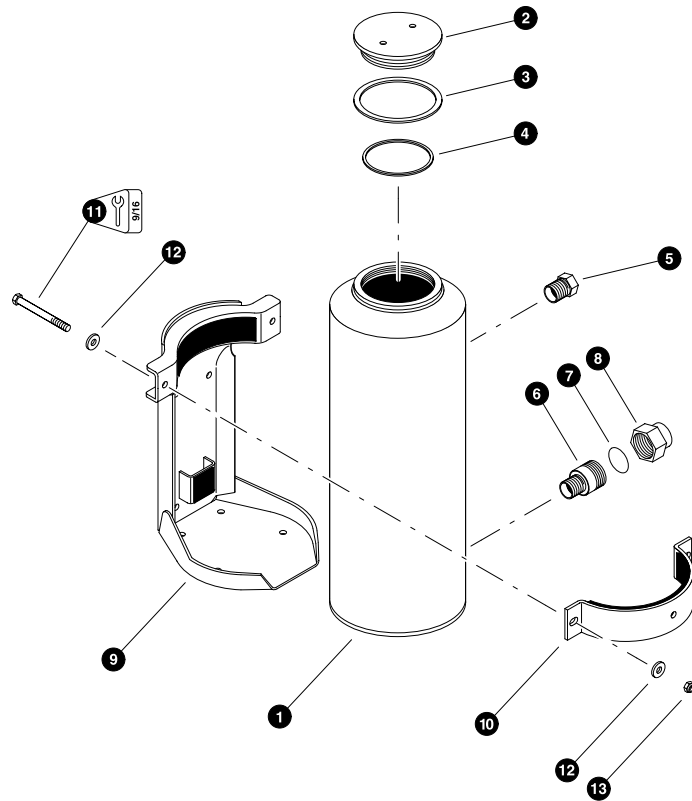
Parts T2697 04/16/04
18,75

HEATER LINES (Cab Exterior)

(John Deere 6068)

REF	PART #	QTY	DESCRIPTION	SEE SECTION
1	20903-OC	2	ELBOW, 90° brass	
2	10759-OC	4	CLAMP, hose - worm style- 7/8"	
3	16717-OC	1	HOSE, heater - 5/8" (Bulkhead elbow to engine)	
4	16717-OC	1	HOSE, heater - 5/8" (Bulkhead elbow to engine)	
5	17572-OC	1	SLEEVE, protective hose - 2-1/4"	
6	15630-OC	1	BUSHING, reducer - 5406-8-6	
7	15631-OC	2	VALVE, shut-off	
8	51108-OC	1	BUSHING, REDUCER - (JD) M18-1/2F80HGS	
9	REF		ENGINE - John Deere 6068	JD-3
10	51456-OC	1	UNION, black pipe 1/2"	
11	51455-OC	1	NIPPLE, PIPE - .5 X 6"	

 Bulk material - order length required in feet or meters.
 See referenced page for component or assembly breakdown.

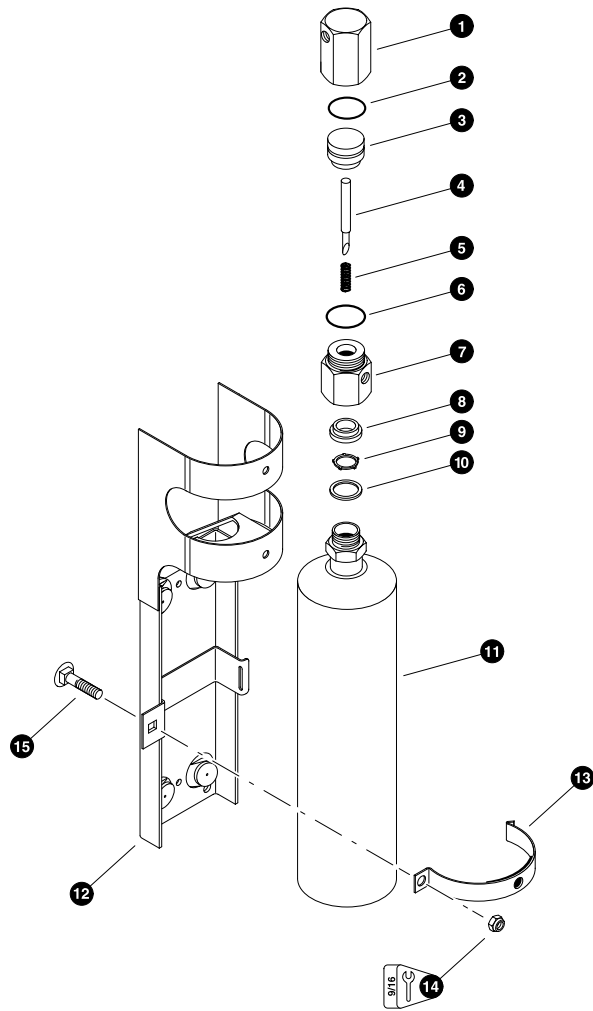


Parts 00595 10/17/2000
25.0

DRY CHEMICAL TANK

REF	PART #	QTY	DESCRIPTION	SEE PAGE
1	NSS	1	DRY CHEMICAL TANK	
-	21235-OC	1	<input type="checkbox"/> FILL CAP ASSEMBLY	
2	NSS	1	CAP, fill	
3	21233-OC	1	GASKET	
4	21234-OC	1	RING, quad	
5	21236-OC	1	ADAPTER	
-	21237-OC	1	<input type="checkbox"/> BURSTING DISC UNION	
6	21238-OC	1	ADAPTER	
7	21239-OC	1	DISC, bursting	
8	21240-OC	1	RING, union tail piece	
-	21241-OC	1	<input type="checkbox"/> DRY CHEMICAL TANK BRACKET	
9	NSS	1	BRACKET, dry chemical tank	
	21244-OC	1	PAD, clamp arm	
	21245-OC	1	PAD, bumper	
	21246-OC	1	PAD, base	
10	21242-OC	1	CLAMP, band	
	21243-OC	1	PAD, band clamp	
11	15592-OC	2	BOLT - 3/8" x 4"	
12	15528-OC	4	WASHER, SAE flat - 3/8"	
13	15507-OC	2	NUT, nylock - 3/8"	

Kit or Assembly - includes all items indented underneath.

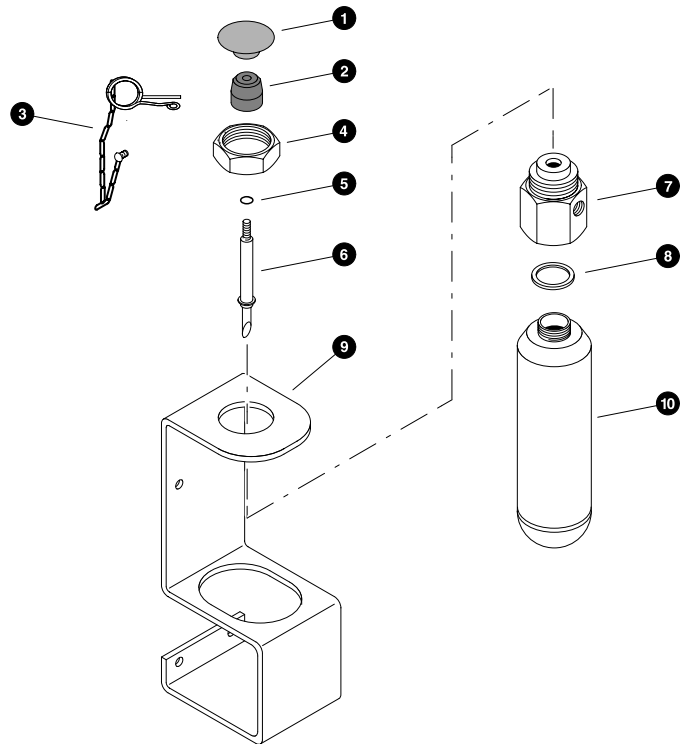


Parts 00596 10/17/2000
37.50

NITROGEN CYLINDER

REF	PART #	QTY	DESCRIPTION	SEE PAGE
--	21248-OC	1	<input type="checkbox"/> PNEUMATIC ACTUATOR ASSEMBLY	
1	21249-OC	1	BODY, actuator - upper	
2	21250-OC	1	O-RING, slave piston	
3	21251-OC	1	PISTON, pneumatic slave	
4	21252-OC	1	PIN, puncture	
5	21253-OC	1	SPRING	
6	21254-OC	1	O-RING, actuator body	
7	21255-OC	1	BODY, actuator - lower	
8	21256-OC	1	WASHER	
9	21257-OC	1	RING, retaining	
10	21258-OC	1	GASKET	
11	21276-OC	1	CARTRIDGE, nitrogen (Includes shipping cap)	
--	21260-OC	1	<input type="checkbox"/> BRACKET ASSEMBLY, nitrogen tank	
12	NSS	1	BRACKET, nitrogen cylinder	
13	21261-OC	1	ARM, clamp	
	21262-OC	1	PAD, clamp arm	
14	15507-OC	1	NUT, nylock - 3/8"	
15	21263-OC	1	BOLT, carriage - 3/8" x 1"	

Kit or Assembly - includes all items indented underneath.

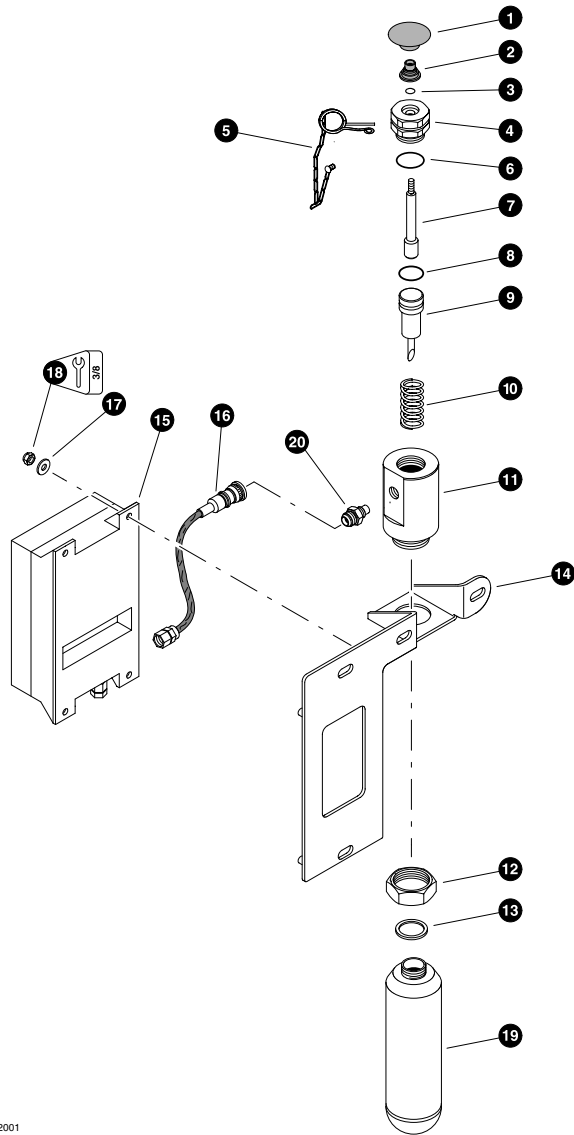


Parts 00597 11/03/98
50.00

MANUAL ACTUATOR (Exterior Mount)

REF	PART #	QTY	DESCRIPTION	SEE PAGE
--	21264-OC	1	<input type="checkbox"/> MANUAL ACTUATOR ASSEMBLY	
1	21265-OC	1	KNOB	
2	21266-OC	1	BOOT	
3	21272-OC	1	PIN, safety ring	
	21273-OC	1	CHAIN	
	21274-OC	1	SCREW, drive	
	21275-OC	1	WIRE, lead seal <i>(Not shown)</i>	
4	21267-OC	1	NUT, jam	
5	21270-OC	1	O-RING, puncture pin	
6	21271-OC	1	PIN, puncture	
7	21269-OC	1	BODY, actuator	
8	21258-OC	1	GASKET	
9	21268-OC	1	BRACKET, manual actuator	
10	21259-OC	1	CARTRIDGE, manual actuator <i>(Includes shipping cap)</i>	

Kit or Assembly - includes all items indented underneath.



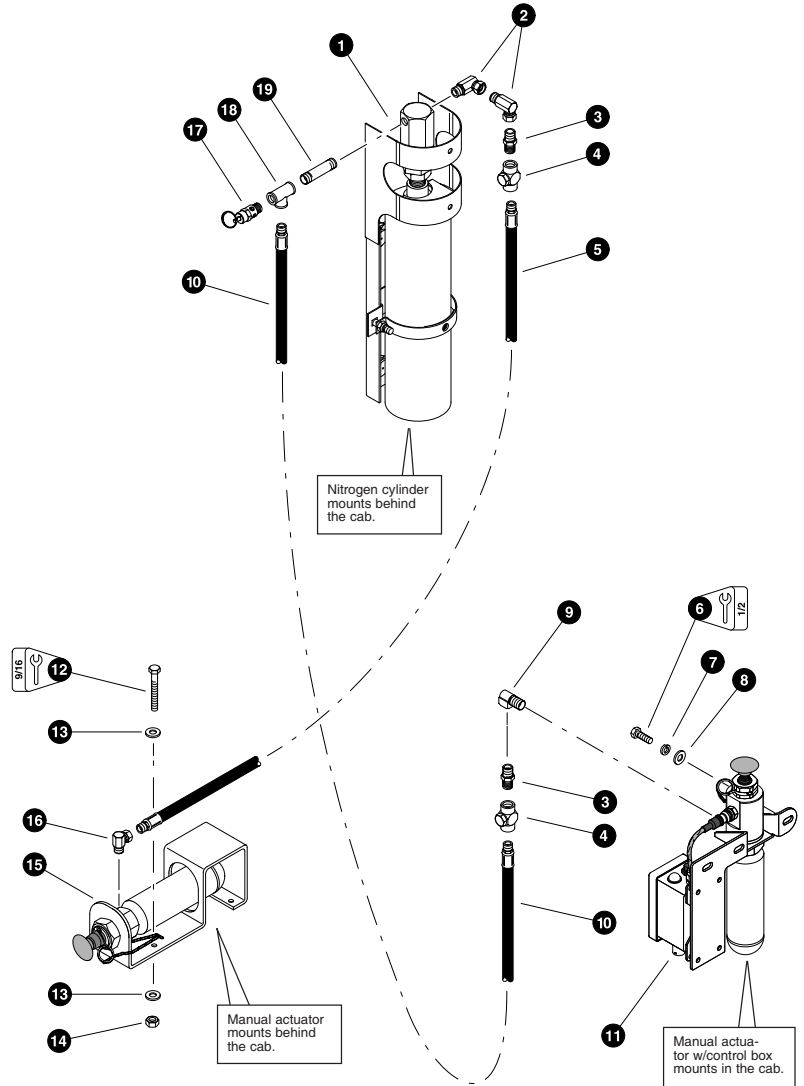
Parts 02207 10/29/2001
37.50

MANUAL ACTUATOR (Interior Mount)

(Used on machines PDN# 0174FWD and above)

REF	PART #	QTY	DESCRIPTION	SEE PAGE
--	24616-OC	1	<input type="checkbox"/> MANUAL ACTUATOR / CONTROL BOX ASSEMBLY	
--	21294-OC	1	<input type="checkbox"/> MANUAL ACTUATOR ASSEMBLY	
1	21265-OC	1	KNOB	
2	21277-OC	1	BOOT	
3	21279-OC	1	O-RING, stem	
4	21278-OC	1	ADAPTER, boot	
5	21272-OC	1	PIN, safety ring	
	21273-OC	1	CHAIN	
	21274-OC	1	SCREW, drive	
	21275-OC	1	WIRE, lead seal (Not shown)	
6	21280-OC	1	O-RING, adapter boot	
7	21281-OC	1	STEM	
8	21282-OC	1	O-RING, puncture pin	
9	21283-OC	1	PIN, puncture	
10	21284-OC	1	SPRING	
11	21285-OC	1	BODY, adapter	
12	21286-OC	1	NUT, jam	
13	21258-OC	1	GASKET	
14	----	1	BRACKET, manual actuator	
15	NSS	1	CONTROL BOX ASSEMBLY	
16	24626-OC	1	CABLE, signal	
17	10810-OC	4	WASHER, SAE flat - 1/4"	
18	15509-OC	4	BOLT, nylock - 1/4"	
19	21288-OC	1	CARTRIDGE, manual actuator (Includes shipping cap)	
20	16515-OC	1	SQUIB	
Items Not Shown:				
--	16514-OC	1	WIRE, detection (Routed from the control box throughout the engine and pump compartments)	

Kit or Assembly - includes all items indented underneath.

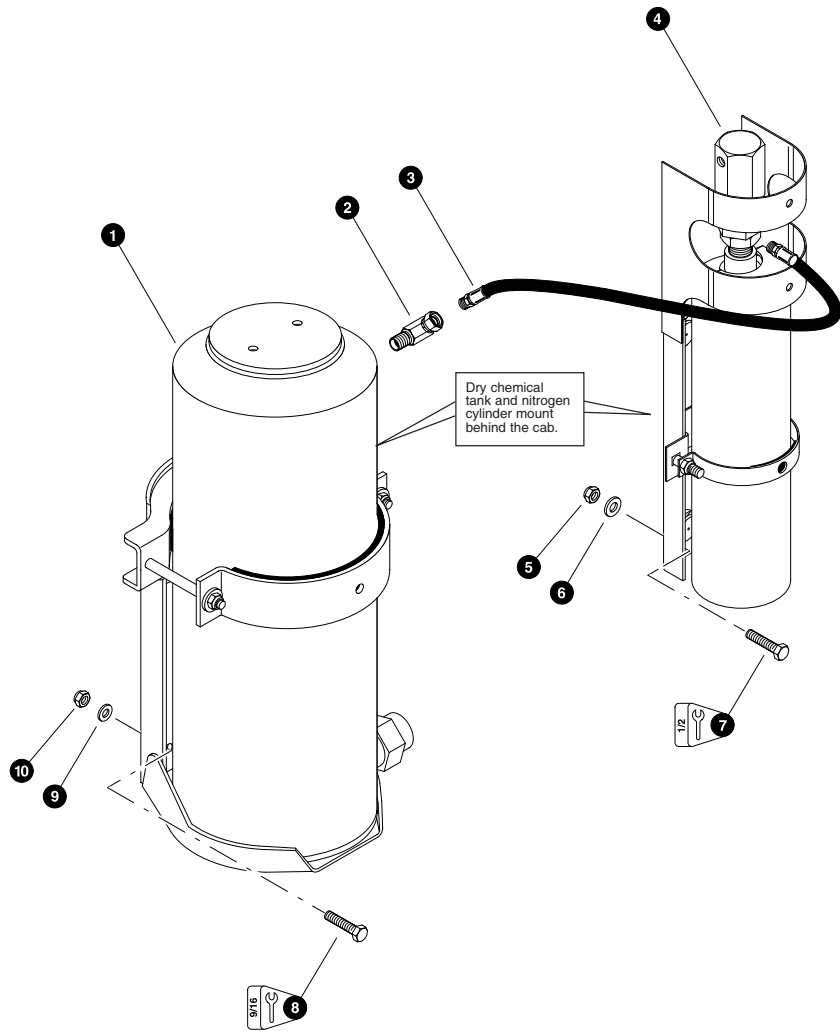


Parts 01119 04/22/99
25.00

MANUAL ACTUATOR INSTALLATION

REF	PART #	QTY	DESCRIPTION	SEE PAGE
1	REF.	1	NITROGEN CYLINDER	OC-5-4
2	10320-OC	2	ELBOW, 90° - 1501-4-4	
3	15567-OC	2	CONNECTOR, straight - 5404-4	
4	16778-OC	2	VALVE, check	
5	50778-OC	1	HOSE ASSEMBLY - 2075-04-04PS-04PS (<i>Exterior manual actuator to nitrogen cylinder</i>)	
6	15589-OC	2	BOLT - 5/16" x 1"	
7	15606-OC	2	WASHER, lock - 5/16"	
8	10801-OC	2	WASHER, flat - 5/16"	
9	21147-OC	1	ELBOW, 90° - 1/4" NPT (<i>Brass</i>)	
10	50779-OC	1	HOSE ASSEMBLY - 2116-04-04PS-04PS (<i>Interior manual actuator to nitrogen cylinder</i>)	
11	REF.	1	MANUAL ACTUATOR ASSEMBLY - interior	OC-5-8
12	15529-OC	2	BOLT - 3/8" x 2"	
13	15528-OC	4	WASHER, SAE flat - 3/8"	
14	10813-OC	2	NUT, lock - 3/8"	
15	REF.	1	MANUAL ACTUATOR ASSEMBLY - exterior	OC-5-6
16	10320-OC	1	ELBOW, 90° - 1501-4-4	
17	21299-OC	1	VALVE, safety relief	
18	16310-OC	1	TEE, black pipe - 1/4"	
19	16886-OC	1	NIPPLE, close - 1/4" x 2-1/2"	

See reference page for component or assembly breakdown.

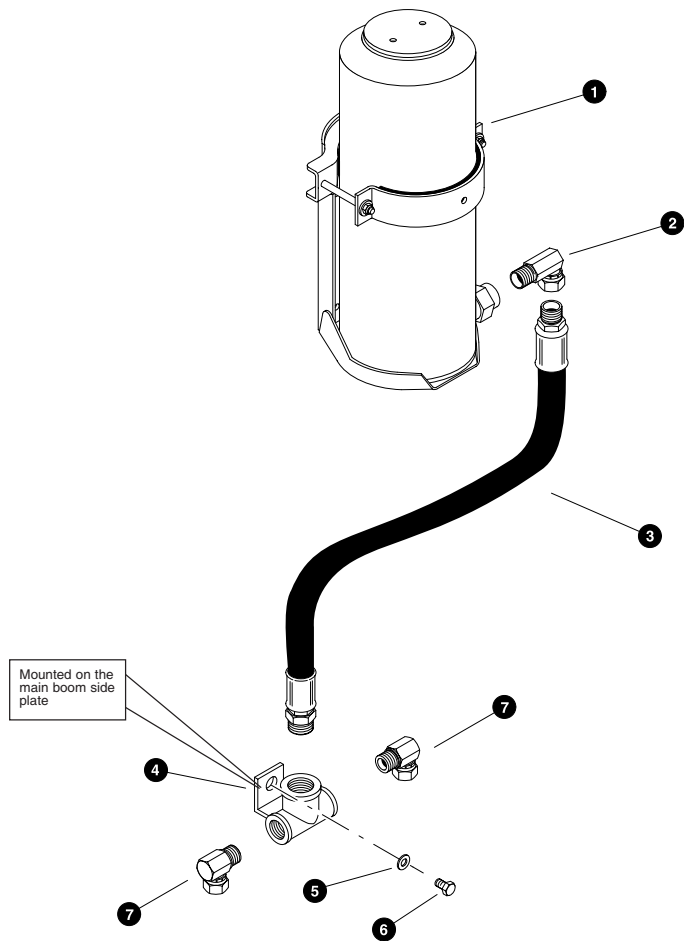


Parts 00593 10/18/2000
37.5

DRY CHEMICAL TANK & NITROGEN CYLINDER INSTALLATION (Installed Behind Cab)

REF	PART #	QTY	DESCRIPTION	SEE PAGE
1	REF.	1	DRY CHEMICAL TANK ASSEMBLY	OC-5-2
2	10320-OC	1	ELBOW, 90° swivel - 1501-4-4	
3	50733-OC	1	HOSE ASSEMBLY - 2013-04-04OS-04O4 (Nitrogen cylinder to dry chemical tank)	
4	REF.	1	NITROGEN CYLINDER ASSEMBLY	OC-5-4
5	10812-OC	4	NUT, lock	- 5/16"
6	15559-OC	4	WASHER, SAE flat - 5/16"	
7	15589-OC	4	BOLT - 5/16" x 1"	
8	11707-OC	4	BOLT - 3/8" x 1"	
9	15528-OC	4	WASHER, SAE flat - 3/8"	
10	10813-OC	4	NUT, lock - 3/8"	

See reference page for component or assembly breakdown.



Parts T2699 05/29/2003
25,00

FIRE SUPPRESSION LINES
(Dry Chemical Tank To Distributions Tee)

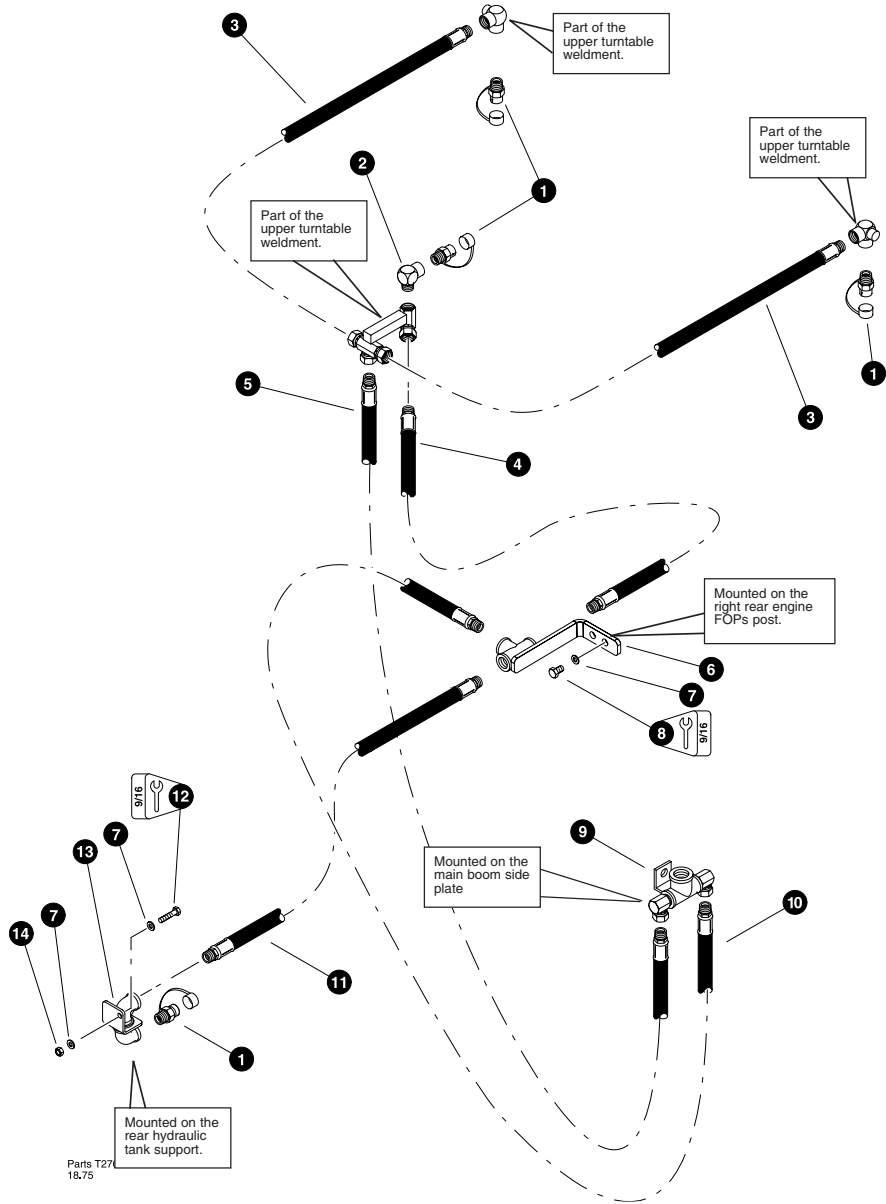
(Machines built after 10/24/02)

REF	PART #	QTY	DESCRIPTION	SEE PAGE
1	REF	1	DRY CHEMICAL TANK ASSEMBLY	OC-5-2
2	10359-OC	1	ELBOW, 90° swivel - 1501-12-12	
3	51178-OC	1	HOSE ASSEMBLY - 2025.5-12-12PS-12PS	
4	51179-OC	1	MANIFOLD, fire tee (MAIN)	
5	11707-OC	2	BOLT - 3/8" x 1"	
6	15528-OC	2	WASHER, SAE flat - 3/8"	
7	10395-OC	3	ELBOW, 90 swivel 1501-8-8	

See reference pagae for component or assembly breakdown.

IMPORTANT NOTE !

If your machine was built after 10/24/02 and was equipped with a fire suppression system, but isn't the same as the one pictured. Please contact your dealer for important update information.



Parts T27
18.75

FIRE SUPPRESSION LINES
(Distribution Tee To Engine & Pump Compartments)

(Machines built after 10/24/02)

REF	PART #	QTY	DESCRIPTION	SEE PAGE
1	16775-OC	3	NOZZLE, flat - 1/2"	
2	17460-OC	3	ELBOW, 90° street - 5502-8-8	
3	50774-OC	2	HOSE ASSEMBLY - 2033-08-08PS-08PS (Engine compartment tee to left & right nozzle)	
4	51177-OC	1	HOSE ASSEMBLY - 2023.5-08-08PS-08PS (Engine compartment center nozzle to Secondary Distribution tee)	
5	50776-OC	1	HOSE ASSEMBLY - 2077-08-08PS-08PS (Engine compartment tee to outside 90 on Main Distribution tee)	
6	51180-OC	1	MANIFOLD, fire distribution (secondary)	
7	15528-OC	4	WASHER, SAE flat - 3/8"	
8	11707-OC	2	BOLT, 3/8 X 1"	
9	REF	1	MANIFOLD, fire distribution (Main)	OC-5-17
10	50775-OC	1	HOSE ASSEMBLY - 2062-08-08PS-08PS (Secondary tee to inside 90 on Main Tee)	
11	51176-OC	1	HOSE ASSEMBLY - 2022-08-08PS-08PS (Secondary tee to tank support manifold)	
12	10731-OC	1	BOLT - 3/8" X 1-1/2"	
13	51181-OC	1	MANIFOLD, fire distribution (tank support)	
14	10813-OC	1	NUT, lock - 3/8"	

See reference page for component or assembly breakdown.

IMPORTANT NOTE !

If your machine was built after 10/24/02 and was equipped with a fire suppression system, but isn't the same as the one pictured. Please contact your dealer for important update information.

