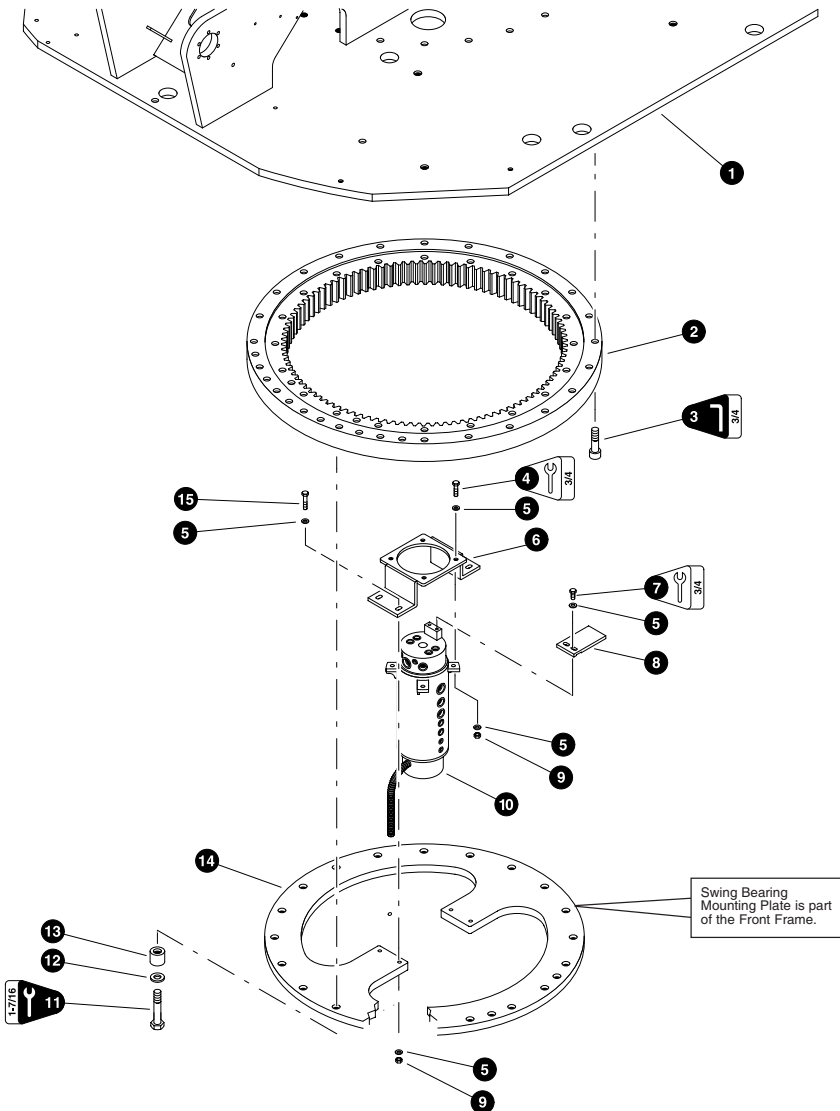


Section UP-1

Structural Components - Upper Turntable



01834 09/22/2000
9,375

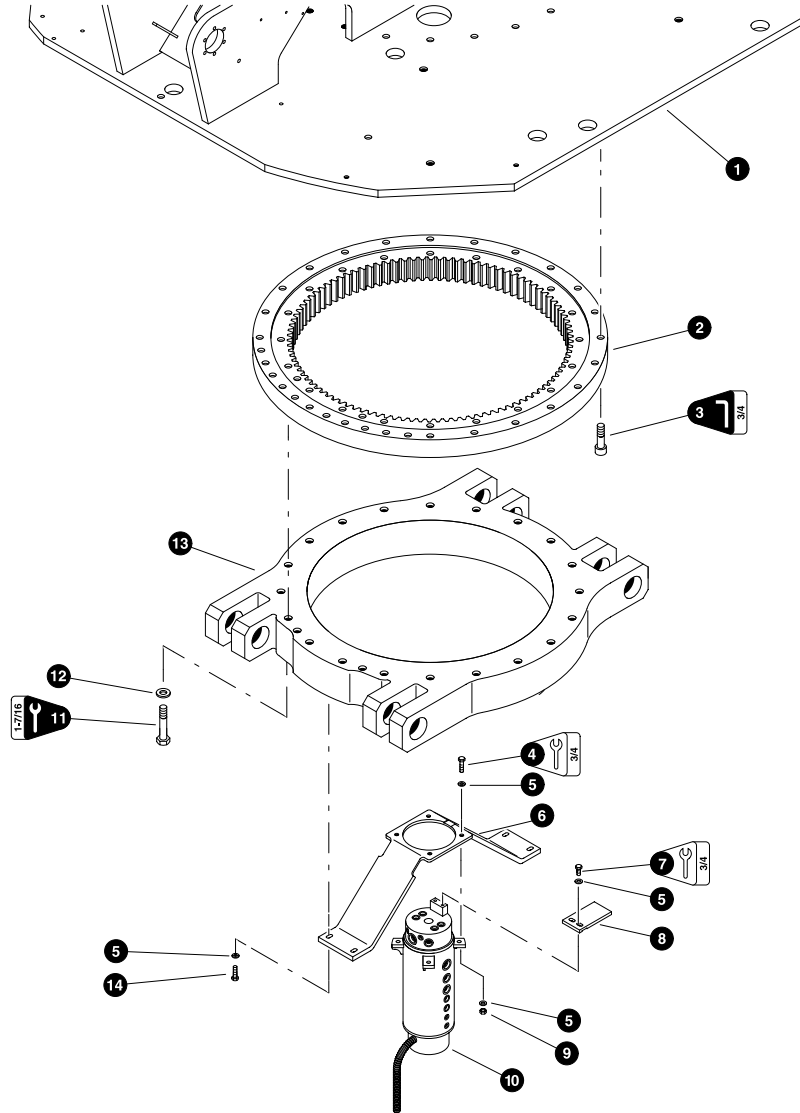
UPPER TURNTABLE INSTALLATION (Non-Leveling Machines)

REF	PART #	QTY	DESCRIPTION	SEE SECTION
-	50181-UP	1	<input type="checkbox"/> UPPER TURNTABLE ASSEMBLY	
1	14286-UP	1	WELDMENT, upper turntable	
2	19631-UP	1	BEARING, swing	
3	19813-UP	29	BOLT, allen head - 1" x 4-1/4" (Torque to 900 ft.lbs (1200 Nm))	
	19814-UP	1	BOLT, allen head - 1" x 4" (Torque to 900 ft.lbs (1200 Nm))	
4	10736-UP	4	BOLT - 1/2" x 2"	
5	15534-UP	18	WASHER, SAE flat - 1/2"	
6	19443-UP	1	BRACKET, rotary manifold mounting	
7	22463-UP	2	BOLT, special - 1/2" x 1-1/4" (Hole drilled in head for safety wire)(See Note Below)	
	22464-UP	AR	WIRE, safety - 16 gauge	
8	80468-UP	1	BRACKET, swivel lock	
9	10815-UP	8	NUT, lock - 1/2"	
10	REF.	1	<input type="checkbox"/> ROTARY MANIFOLD UP-1	
11	18535-UP	24	BOLT - 1" x 5" (Torque to 1000 ft.lbs (1350 Nm))	
12	18532-UP	24	WASHER, SAE flat - 1" extra thick	
13	12463-UP	24	SPACER, bolt - upper turntable mounting	
14	REF.	1	<input type="checkbox"/> FRONT FRAME BEARING MOUNT FF-1 / HN-1	
15	15565-UP	4	BOLT - 1/2" x 2-1/2"	

- See reference page for component or assembly breakdown.
- Kit or Assembly - includes all items indented underneath.

Note:

Use Loctite 272 (blue) during installation.



01601 04/18/2003
9,375

UPPER TURNTABLE INSTALLATION (Leveling Machine)

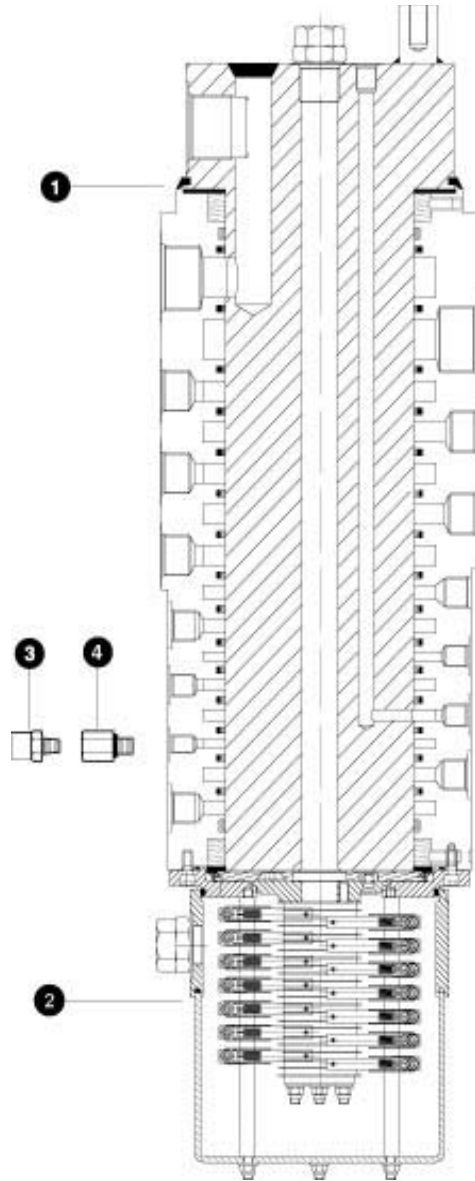
REF	PART #	QTY	DESCRIPTION	SEE SECTION
-	50181-UP	1	<input type="checkbox"/> UPPER TURNTABLE ASSEMBLY	
1	14286-UP	1	WELDMENT, upper turntable	
2	19631-UP	1	BEARING, swing	
3	19813-UP	29	BOLT, allen head - 1" x 4-1/4" (Torque to 900 ft.lbs (1200 Nm))	
	19814-UP	1	BOLT, allen head - 1" x 4" (Torque to 900 ft.lbs (1200 Nm))	
4	10736-UP	4	BOLT - 1/2" x 2"	
5	15534-UP	14	WASHER, SAE flat - 1/2"	
6	40749-UP	1	BRACKET, rotary manifold mounting	
7	22463-UP	2	BOLT, special - 1/2" x 1-1/4" (Hole drilled in head for safety wire)(See Note 1 Below)	
	22464-UP	AR	WIRE, safety - 16 gauge	
8	80468-UP	1	BRACKET, swivel lock	
9	10815-UP	4	NUT, lock - 1/2"	
10	REF.	1	<input type="checkbox"/> ROTARY MANIFOLD	UP
11	15580-UP	24	BOLT - 1" X 8" (Torque to 1000 ft.lbs (1350 Nm))	
12	18532-UP	24	WASHER, SAE flat - 1" extra thick	
13	REF.	1	<input type="checkbox"/> LOWER TURNTABLE WELDMENT	HL
14	10739-UP	4	BOLT - 1/2" x 1-1/2"	

- See reference page for component or assembly breakdown.
- Kit or Assembly - includes all items indented underneath.

Note: 1

Use Loctite 272 (blue) during installation.

Seal replacement is not recommended unless authorized by factory. Please contact your TimberPro dealer for more information.



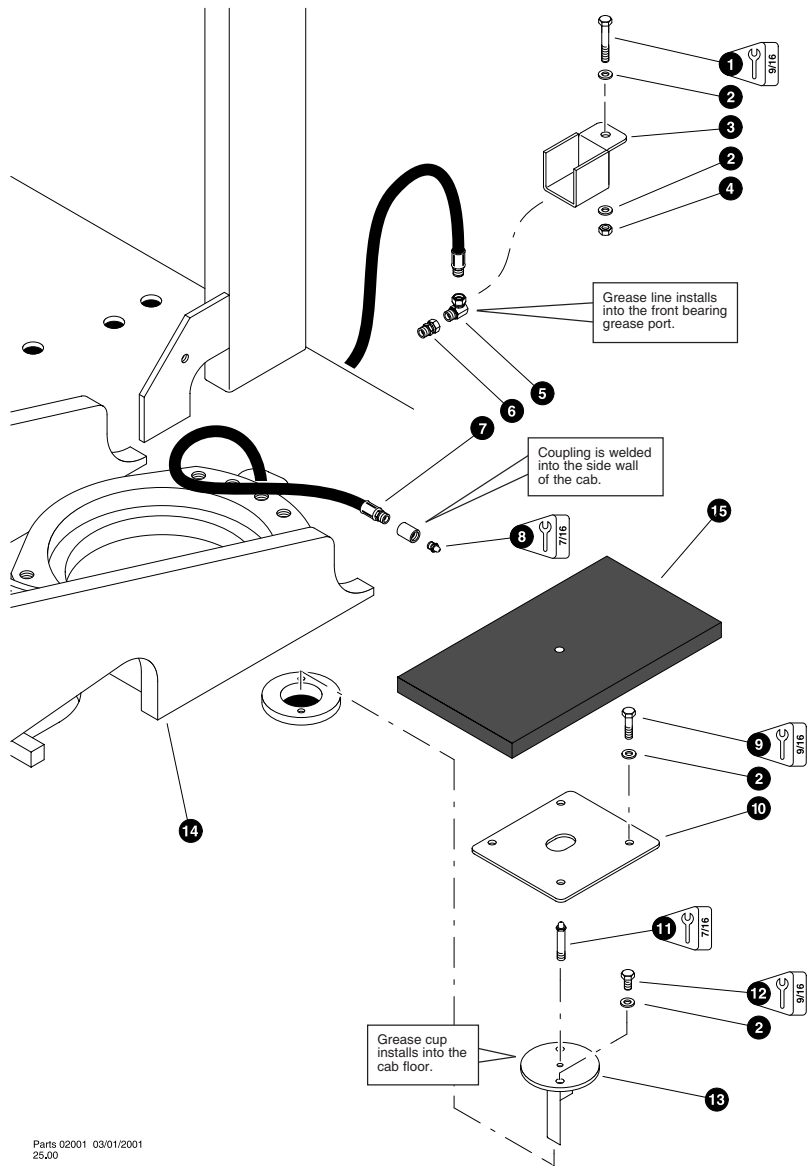
UP-1-5

ROTARY MANIFOLD

REF	PART #	QTY	DESCRIPTION	SEE SECTION
1	50444-UP	1	<input type="checkbox"/> MANIFOLD, rotary	
2	24772-UP	1	WIPER, electrical - 22 leads	
-	24770-UP	1	WIPER, electrical - 8 leads	
-	24771-UP	1	WIPER, electrical - 12 leads	
3	50443-UP	1	VENT, rotary manifold "sf" port	
4	51413-UP	1	BUSHING, REDUCER - 4 - 1/4 F50G	
-	50832-UP	1	<input type="checkbox"/> KIT, seal repair - rotary manifold	

- Kit or Assembly - includes all items indented underneath.
- ⌘ Included in seal repair kit Part # 50832-UP.

UP-1-6

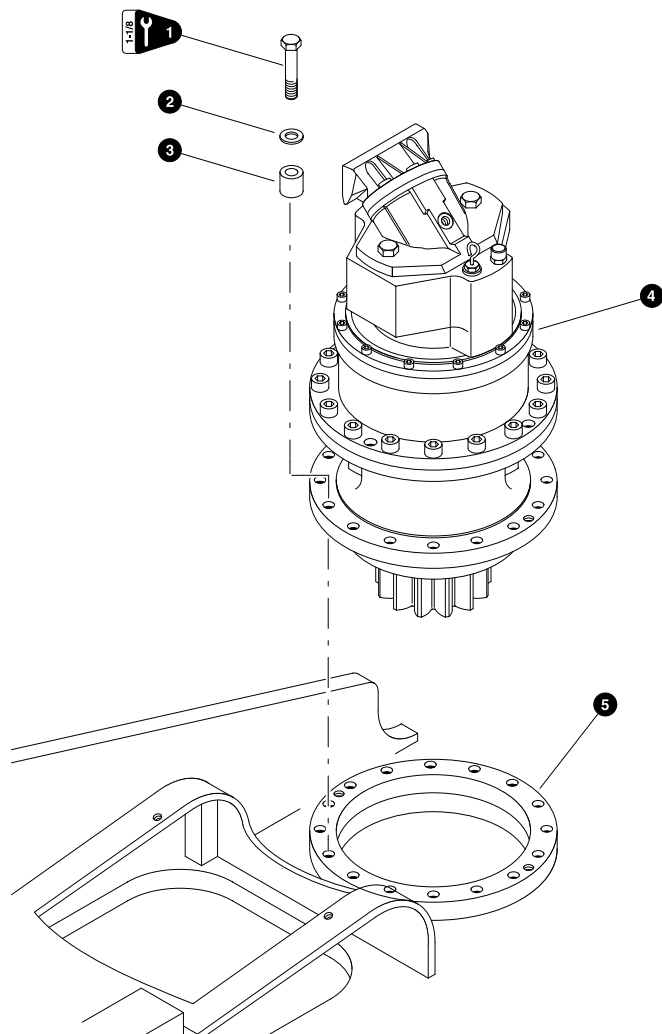


Parts 02001 03/01/2001
25/00

SWING BEARING GREASE LINES

REF	PART #	QTY	DESCRIPTION	SEE SECTION
1	15529-UP	1	BOLT - 3/8" x 2"	
2	15528-UP	8	WASHER, SAE flat - 3/8"	
3	19758-UP	1	GUARD, swing bearing grease port	
4	10813-UP	1	NUT, lock - 3/8"	
5	15657-UP	1	ELBOW, 90° swivel - 1501-2-2	
6	15391-UP	1	CONNECTOR, straight swivel - 1404-2-2	
7	20391-UP	1	HOSE ASSEMBLY - 2046-04-02PS-02PS (Swing bearing grease port to cab sidewall coupling)	
8	10704-UP	1	FITTING, straight grease - 1/8" pipe thread	
9	10731-UP	4	BOLT - 3/8" x 1-1/2"	
10	18248-UP	1	COVER, grease cup	
11	15685-UP	1	FITTING, straight long grease - 1/8" pipe thread	
12	15542-UP	2	BOLT - 3/8" x 3/4"	
13	17612-UP	1	CUP, grease	
14	REF.	1	UPPER TURNTABLE WELDMENT	UP-1
15	23907-UP	1	FLOORMAT, grease cup - 1"	

See reference page for component or assembly breakdown.



Parts 00621 11/01/200
25.00

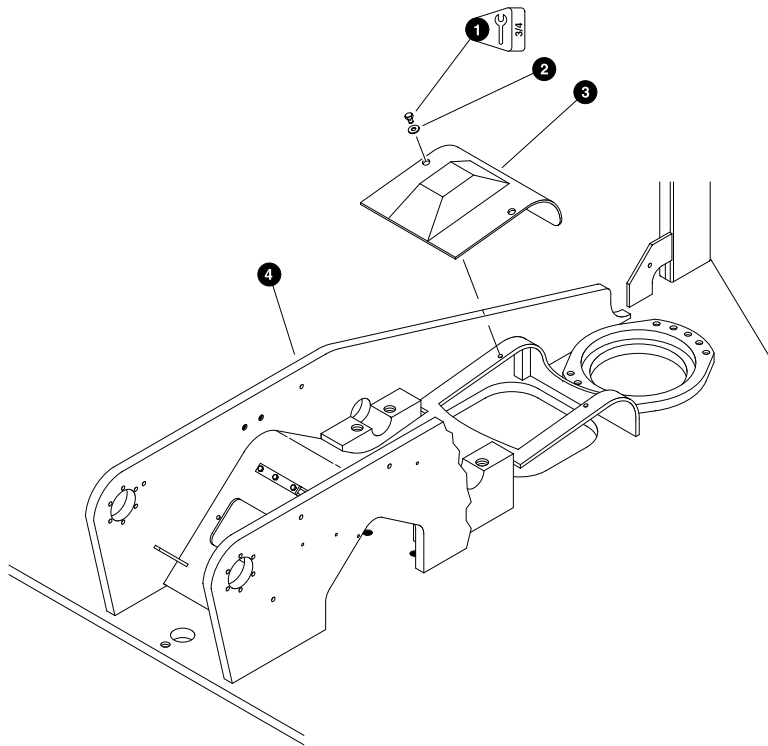
SWING MOTOR INSTALLATION (Lohmann/Rexroth)

REF	PART #	QTY	DESCRIPTION	SEE SECTION
1	10720-UP	16	BOLT - 5/8" x 3" (Torque to 230 ft.lbs (310 Nm)) (see note 1)	
2	10771-UP	16	WASHER, SAE flat - 5/8"	
3	19242-UP	16	SPACER, bolt	
4	REF.	1	SWING MOTOR - Lohmann/Rexroth	UP-2
5	REF.	1	UPPER TURNTABLE WELDMENT	UP-1

See reference page for component or assembly breakdown.

Note: 1

Use Loctite 271 (red) during installation.

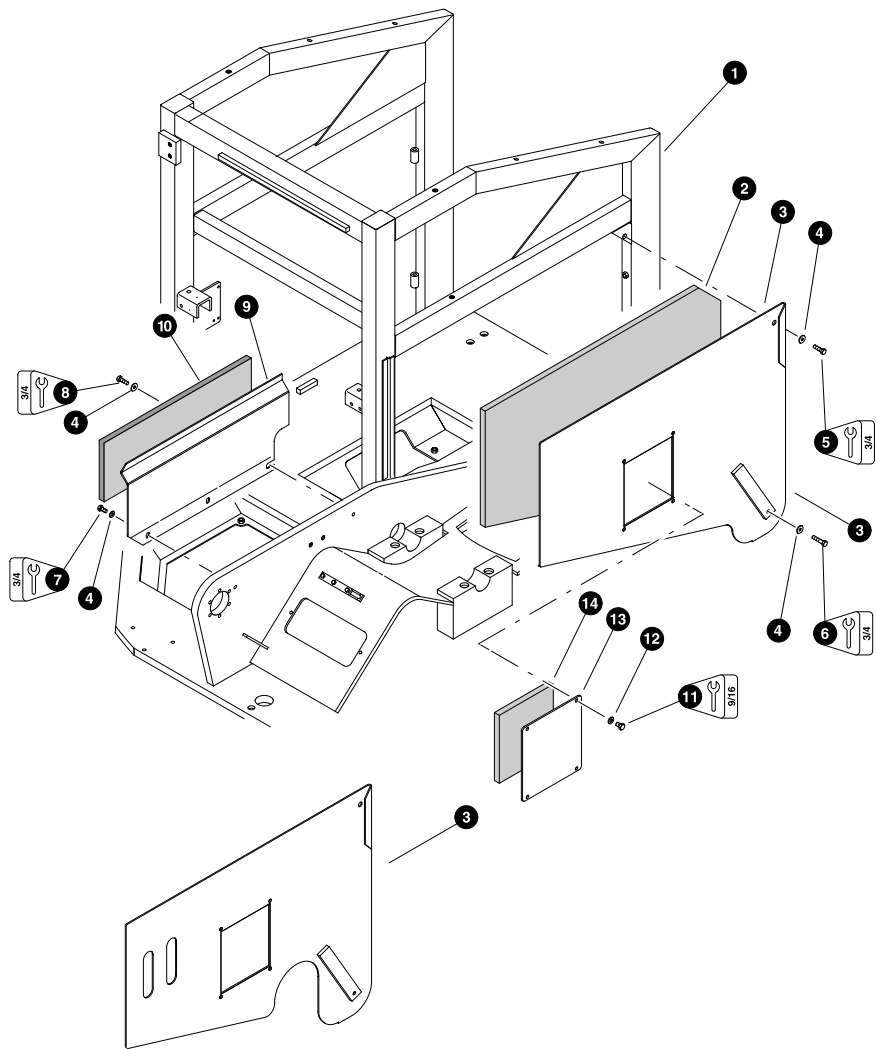


Parts 00637 08/17/98
12,50

UPPER TURNTABLE GUARDS, PANELS & COVERS INSTALLATION
(Boom Mounting Area Access Covers)

REF	PART #	QTY	DESCRIPTION	SEE SECTION
1	10783-UP	4	BOLT - 1/2" x 1"	
2	15534-UP	4	WASHER, SAE flat - 1/2"	
3	14093-UP	1	COVER, swivel access	
4	REF.	1	UPPER TURNTABLE WELDMENT	UP-1

See reference page for component or assembly breakdown.

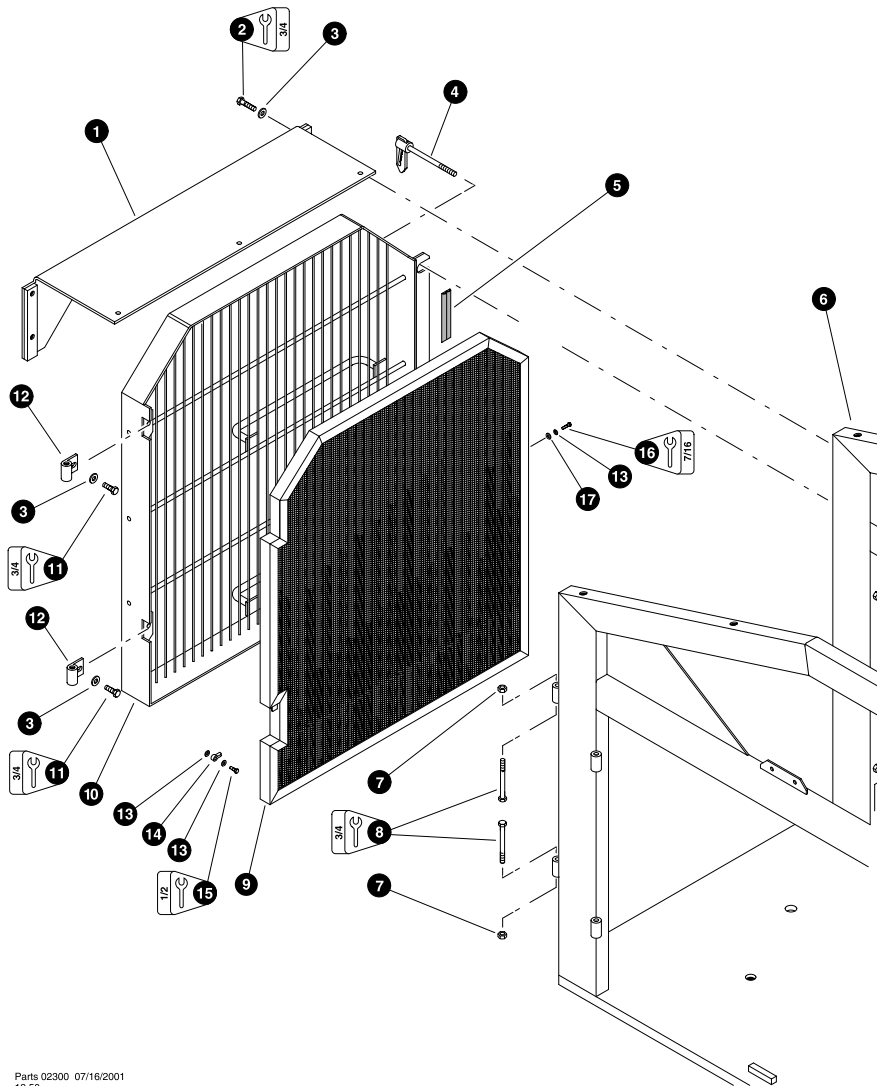


Parts 01870 04/21/03
9.375

UPPER TURNTABLE GUARDS, PANELS & COVERS INSTALLATION
(Cab-Side Engine & Pump Compartment Guards)

REF	PART #	QTY	DESCRIPTION	SEE SECTION
1	REF.	1	☐ UPPER TURNTABLE WELDMENT	UP-1
2	17506-UP	1	INSULATION, soundproof - cab-side engine pivot guard	
3	51285-UP	1	GUARD, cab-side engine pivot	
	50834-UP	1	GUARD, cab-side engine pivot (Old Style with Hose Cutout)	
4	10804-UP	3	WASHER, flat - 1/2"	
5	10739-UP	1	BOLT - 1/2" x 1-1/2"	
6	10736-UP	1	BOLT - 1/2" x 2"	
7	10783-UP	1	BOLT - 1/2" x 1"	
8	10783-UP	1	BOLT - 1/2" x 1"	
9	14375-UP	1	GUARD, cab-side pump compartment	
10	17507-UP	1	INSULATION, soundproof - pump guard	
11	15542-UP	4	BOLT - 3/8" x 3/4"	
12	15528-UP	4	WASHER, SAE flat - 3/8"	
13	50837-UP	1	COVER, access - oil filter	
14	15542-UP	4	BOLT - 3/8" x 3/4"	
15	50838-UP	1	INSULATION, soundproof - filter access cover	

☐ See reference page for component or assembly breakdown.

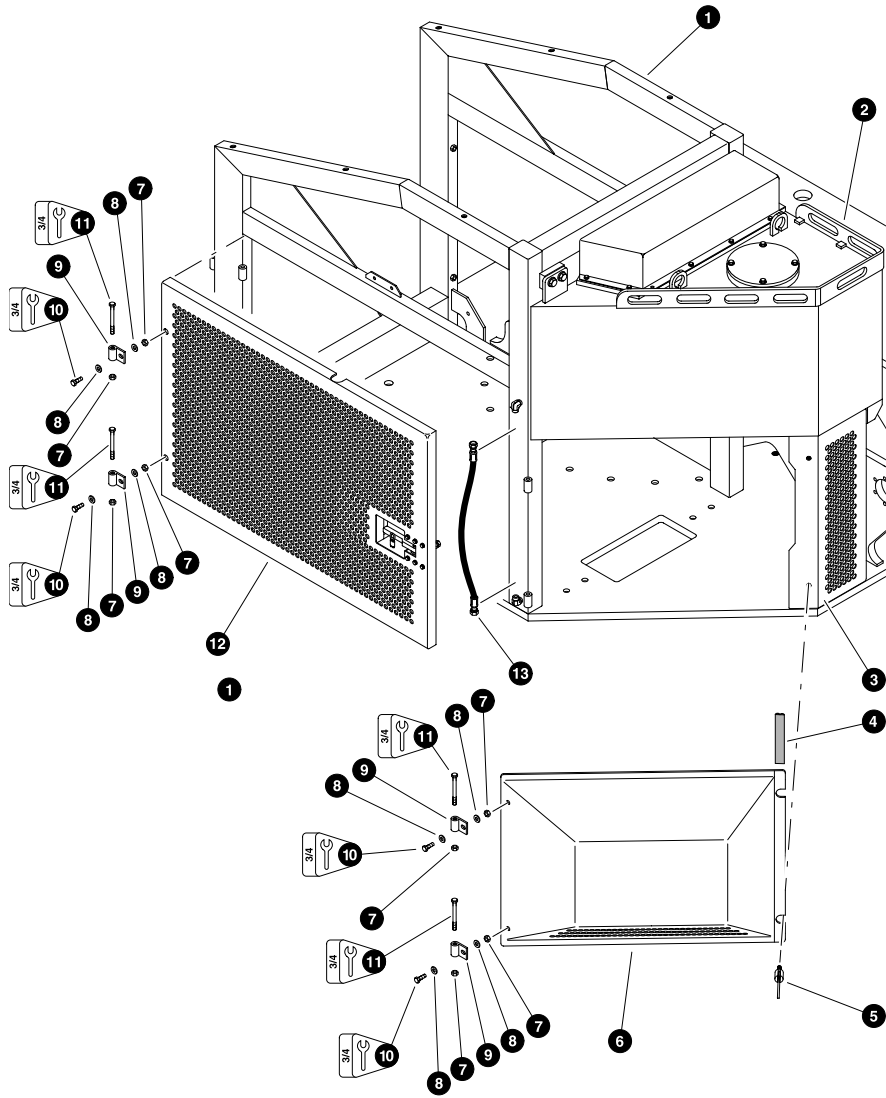


Parts 02300 07/16/2001
12.50

UPPER TURNTABLE GUARDS, PANELS & COVERS INSTALLATION
(Swing-Out Radiator Guard & Hinged Radiator Protection Screen)

REF	PART #	QTY	DESCRIPTION	SEE SECTION
1	14357-UP	1	MEMBER, radiator support	
2	10736-UP	4	BOLT - 1/2" x 2"	
3	15534-UP	6	WASHER, SAE flat - 1/2"	
4	19772-UP	2	LATCH, cam - radiator guard	
5	18126-UP	AR	WEATHERSTRIP	
6	REF.	1	UPPER TURNTABLE WELDMENT	UP-1
7	10815-UP	2	NUT, lock - 1/2"	
8	10705-UP	2	BOLT - 1/2" x 5"	
9	14371-UP	1	SCREEN, radiator protection - hinged	
10	14365-UP	1	GUARD, swing-out radiator	
11	10783-UP	2	BOLT - 1/2" x 1"	
12	16403-UP	2	BRACKET, hinge	
13	10757-UP	4	WASHER, SAE flat - 1/4"	
14	24542-UP	1	LATCH, screen	
15	15576-UP	1	BOLT, 1/4" x 1"	
16	23264-UP	3	BOLT - .25" X .5"	
17	10800-UP	3	WASHER, flat - 1/4"	

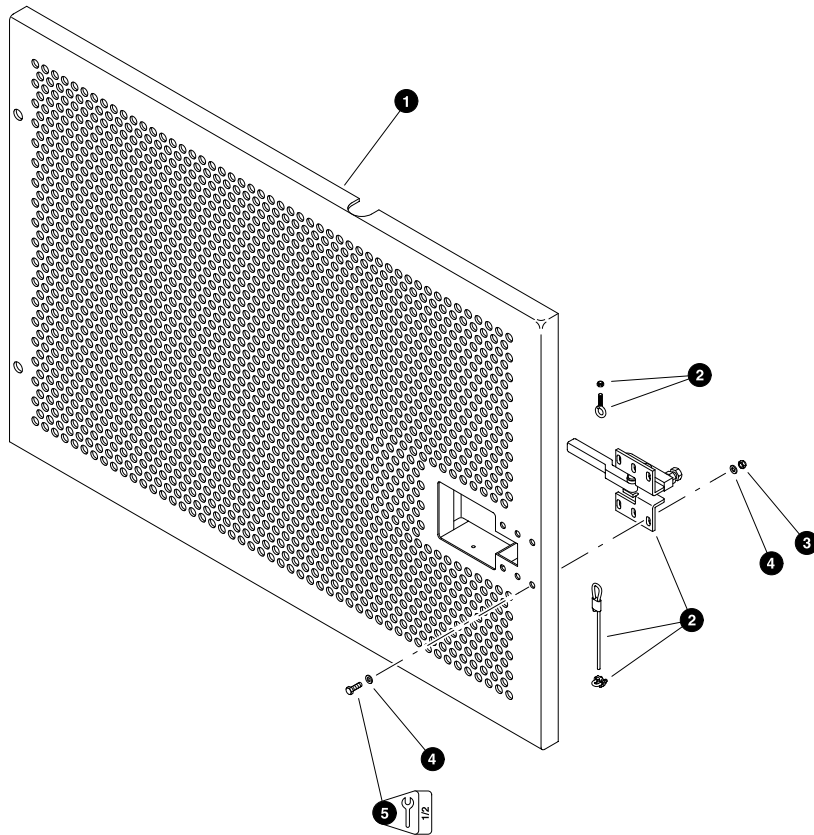
- Bulk Material - order length required in feet or meters.
- See reference page for component or assembly breakdown.



UPPER TURNTABLE GUARDS, PANELS & COVERS INSTALLATION (Swing-Out Engine & Pump Compartment Guards)

REF	PART #	QTY	DESCRIPTION	SEE SECTION
1	REF.	1	UPPER TURNTABLE WELDMENT	UP-1
2	REF.	1	HYDRAULIC TANK ASSEMBLY	UP-3
3	REF.	1	HYDRAULIC TANK SUPPORT	UP-3
4	18126-UP	AR	WEATHERSTRIP	
5	19771-UP	2	LATCH, cam - swing-out pump guard	
6	14363-UP	1	GUARD, swing-out pump	
7	10815-UP	8	NUT, lock - 1/2"	
8	15534-UP	8	WASHER, SAE flat - 1/2"	
9	16403-UP	4	BRACKET, hinge	
10	10739-UP	4	BOLT - 1/2" x 1-1/2"	
11	10705-UP	4	BOLT - 1/2" x 5"	
12	REF.	1	SWING-OUT ENGINE GUARD ASSEMBLY	UP-1
13	20071-UP	1	HOSE ASSEMBLY - 4032.5-08-0810JS-0810JS (Used as hand hold)	

Bulk Material - order length required in feet or meters.
 See reference page for component or assembly breakdown.

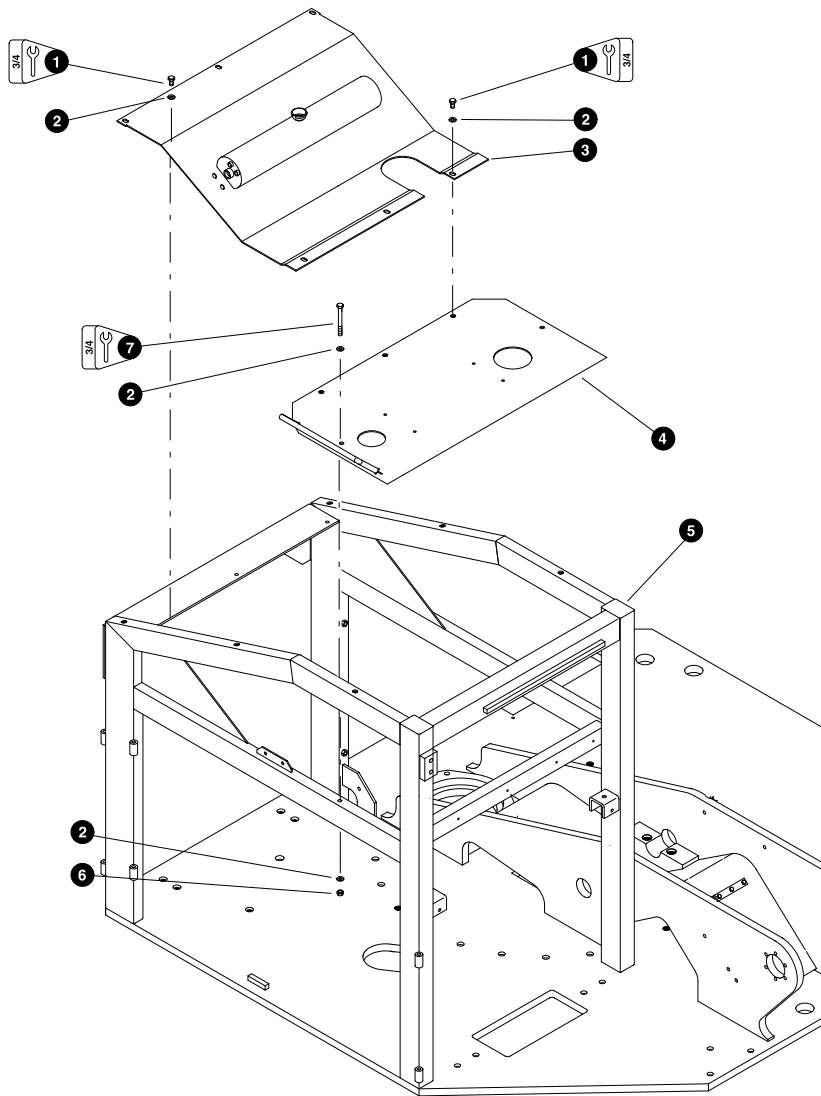


Parts 01873 11/04/2000
18.75

SWING-OUT ENGINE GUARD WITH TOGGLE LATCH

REF	PART #	QTY	DESCRIPTION	SEE SECTION
-	14361-UP	1	<input type="checkbox"/> SWING-OUT ENGINE GUARD ASSEMBLY	
1	24613-UP	1	WELDMENT, swing-out engine guard	
2	19200-UP	1	LATCH, toggle	
3	10788-UP	6	NUT, nylock - 5/16"	
4	15559-UP	6	WASHER, SAE flat - 5/16"	
5	15589-UP	6	BOLT - 5/16" x 1"	

- Kit or Assembly - includes all items indented underneath.

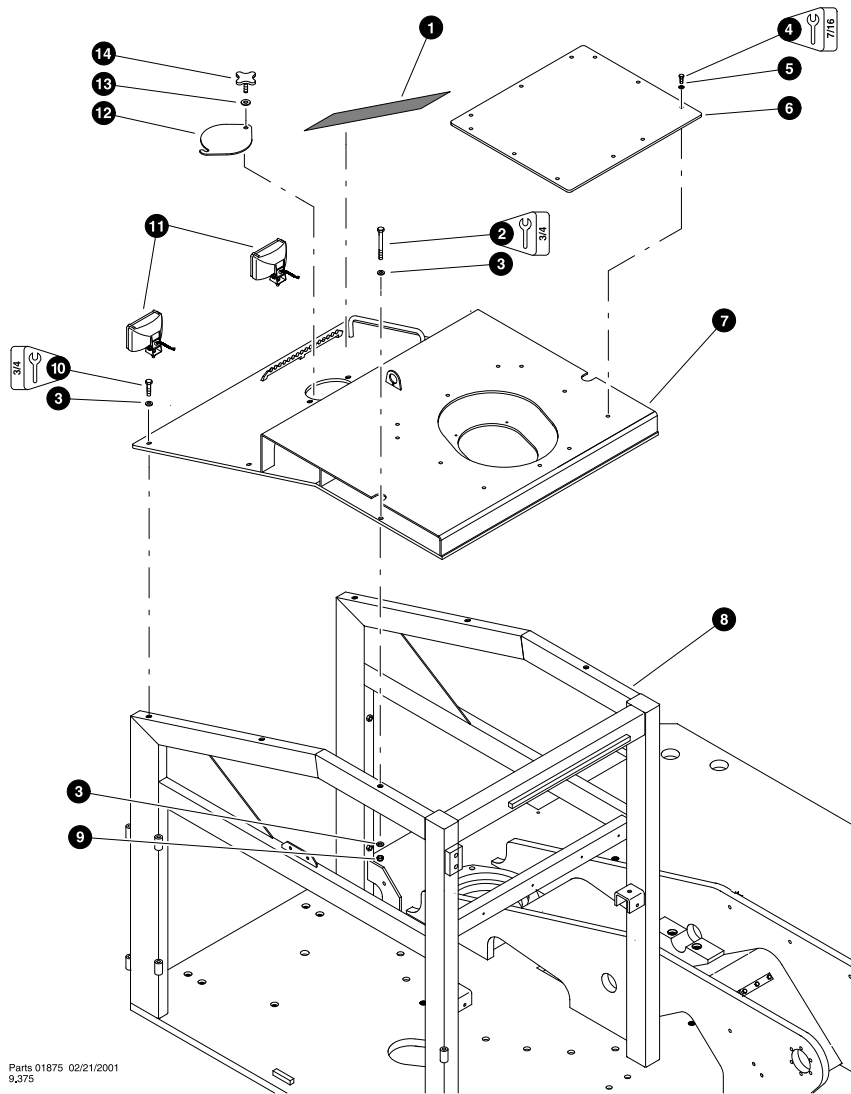


Parts 01874 11/04/2000
9,375

UPPER TURNTABLE GUARDS, PANELS & COVERS INSTALLATION
(Air Cleaner & Muffler Panels)

REF	PART #	QTY	DESCRIPTION	SEE SECTION
1	10783-UP	5	BOLT - 1/2" x 1"	
2	15534-UP	9	WASHER, SAE flat - 1/2"	
3	14381-UP	1	PANEL, muffler	
4	14350-UP	1	PANEL, air cleaner	
5	REF.	1	UPPER TURNTABLE WELDMENT	UP-1
6	10815-UP	2	NUT, lock - 1/2"	
7	10705-UP	2	BOLT - 1/2" x 5"	

See reference page for component or assembly breakdown.

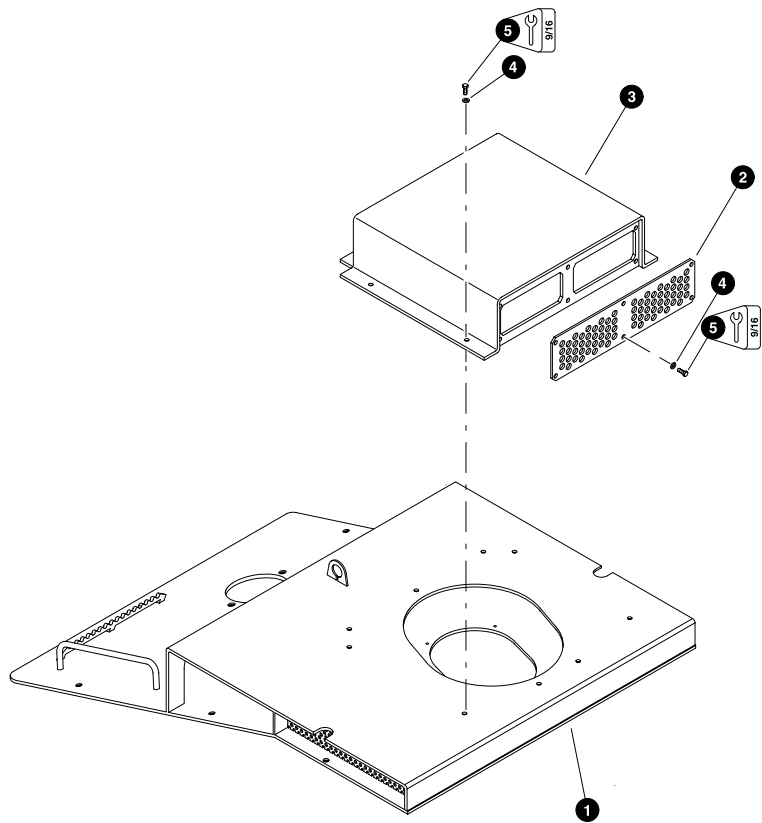


Parts 01875 02/21/2001
9,375

UPPER TURNTABLE GUARDS, PANELS & COVERS INSTALLATION
(Engine ROPS/FOPS Panel)

REF	PART #	QTY	DESCRIPTION	SEE SECTION
1	16544-UP	AR	NON-SKID - 6"	
2	10705-UP	6	BOLT - 1/2" x 5"	
3	15534-UP	12	WASHER, SAE flat - 1/2"	
4	20084-UP	11	BOLT - 3/8" x 1-3/4"	
5	15528-UP	11	WASHER, SAE flat - 1/4"	
6	14378-UP	1	COVER, access - ROPS panel - 3/8"	
7	14364-UP	1	PANEL, FOPS - 1/4" (820)	
7	14366-UP	1	PANEL, FOPS - 3/8" (620)	
8	REF.	1	UPPER TURNTABLE WELDMNT	UP-1
9	10815-UP	6	NUT, lock - 1/2"	
10	10739-UP	2	BOLT - 1/2" X 1-1/2"	
11	19390-UP	4	LIGHT, rectangular - (dual lamp Hella)	
11	26165-UP	2	LIGHT, rectangular - (Xenon HID)	
12	12150-UP	1	COVER, radiator fill access	
13	10804-UP	2	WASHER, flat - 1/2"	
14	16849-UP	2	KNOB, star - 1-1/2"	

⌘ Bulk material - order length required in feet or meters.
 ☒ See reference page for component or assembly breakdown.

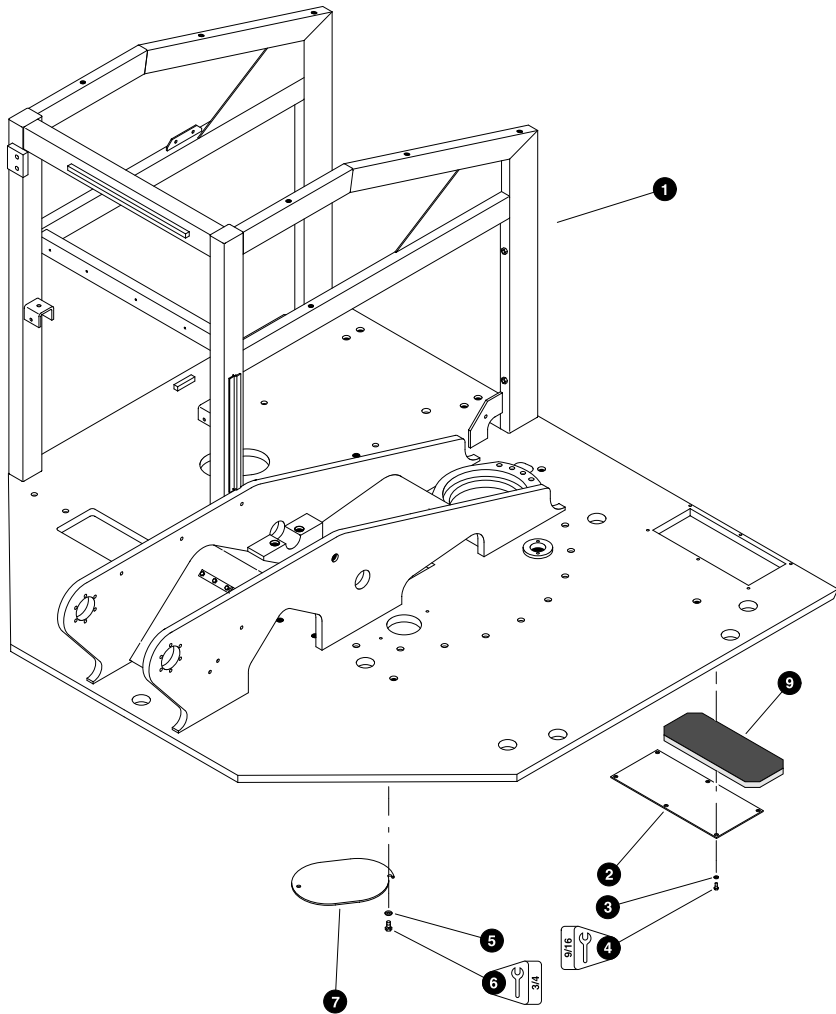


Parts 02257 06/04/2001
12_50

PRECLEANER GUARDS INSTALLATION
(Engine ROPS/FOPS Panel)

REF	PART #	QTY	DESCRIPTION	SEE SECTION
1	REF.	1	PANEL, ROPS/FOPS	UP-1
2	14375-UP	2	SCREEN, air intake	
3	14397-UP	1	COVER, prefilter 1/4" (820)	
3	14354-UP	1	COVER, prefilter 3/8" (620)	
4	15528-UP	12	WASHER, SAE flat - 3/8"	
5	11707-UP	12	BOLT - 3/8" x 1"	

See reference page for component or assembly breakdown.

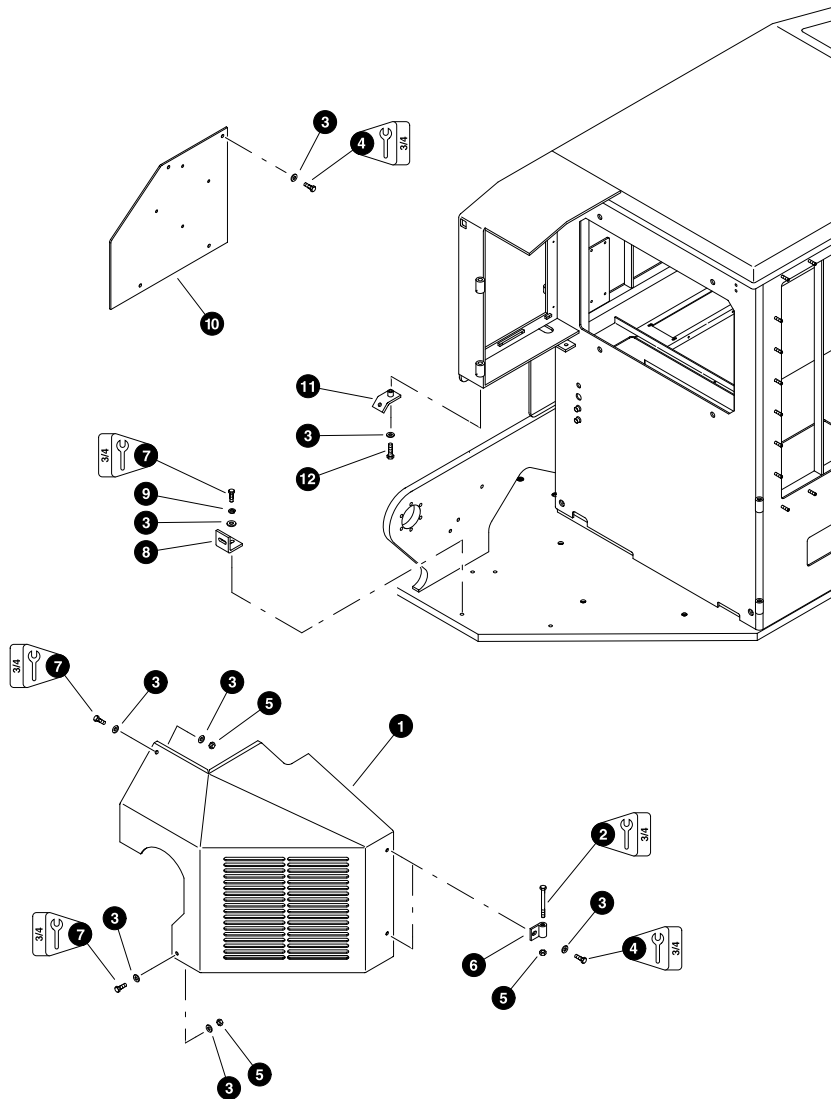


Parts 02301 07/17/2001
9.375

UPPER TURNTABLE GUARDS, PANELS & COVERS INSTALLATION
(Access Covers On Underside Of Upper Turntable Plate)

REF	PART #	QTY	DESCRIPTION	SEE SECTION
1	REF.	1	UPPER TURNTABLE WELDMENT	UP-1
2	18212-UP	1	COVER, foot pedal access	
3	15528-UP	6	WASHER, SAE flat - 3/8"	
4	15542-UP	6	BOLT - 3/8" x 3/4"	
5	15534-UP	2	WASHER, SAE flat - 1/2"	
6	10783-UP	2	BOLT - 1/2" x 1"	
7	14292-UP	1	COVER, oil sump access	

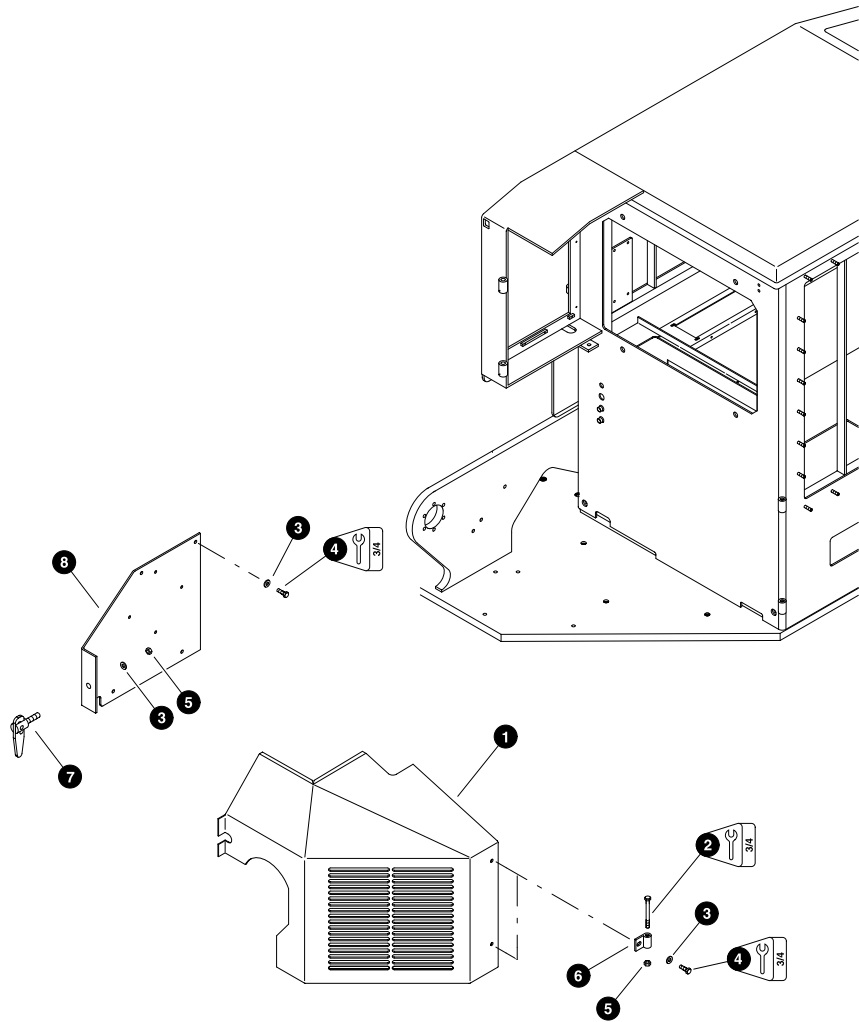
See reference page for component or assembly breakdown.



Parts T2658 04/21/2003
9,375

UPPER TURNTABLE GUARDS, PANELS & COVERS INSTALLATION
(Swing-Out Valve Guard - ALL TB 620s & 820s)
(TF 820s built after 5/13/03)

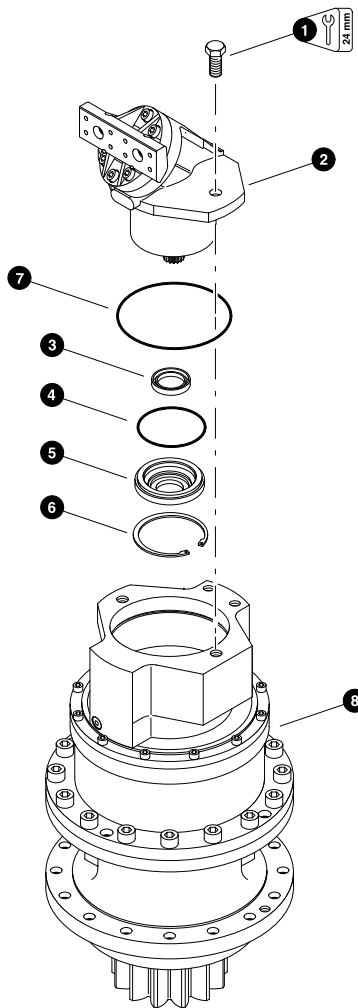
REF	PART #	QTY	DESCRIPTION	SEE SECTION
1	-UP	1	GUARD, swing-out valve (discontinued see next page)	
2	10705-UP	2	BOLT - 1/2" x 5"	
3	15534-UP	12	WASHER, SAE flat - 1/2"	
4	10736-UP	7	BOLT - 1/2" x 1"	
5	10815-UP	4	NUT, lock - 1/2"	
6	16403-UP	2	BRACKET, hinge	
7	10739-UP	2	BOLT - 1/2" x 1-1/2"	
8	16404-UP	1	BRACKET, cover mounting	
9	10710-UP	1	WASHER, lock - 1/2"	
10	-UP	1	COVER, valve - boom side (discontinued see next page)	
11	50900-UP	1	BRACKET, valve guard mount	
12	10736-UP	1	BOLT - 1/2" x 2"	



Parts T2972 03/21/2004
9,575

UPPER TURNTABLE GUARDS, PANELS & COVERS INSTALLATION
(Swing-Out Valve Guard)
(machines built after 03/01/04)

REF	PART #	QTY	DESCRIPTION	SEE SECTION
1	50910-UP	1	GUARD, swing-out valve (New Style)	
2	10705-UP	2	BOLT - 1/2" x 5"	
3	15534-UP	12	WASHER, SAE flat - 1/2"	
4	10736-UP	7	BOLT - 1/2" x 1"	
5	10815-UP	4	NUT, lock - 1/2"	
6	16403-UP	2	BRACKET, hinge	
7	19772-UP	1	LATCH, cam - Valve Door	
8	40747-UP	1	COVER, valve - boom side	



Parts 00625 11/10/2000
25.00

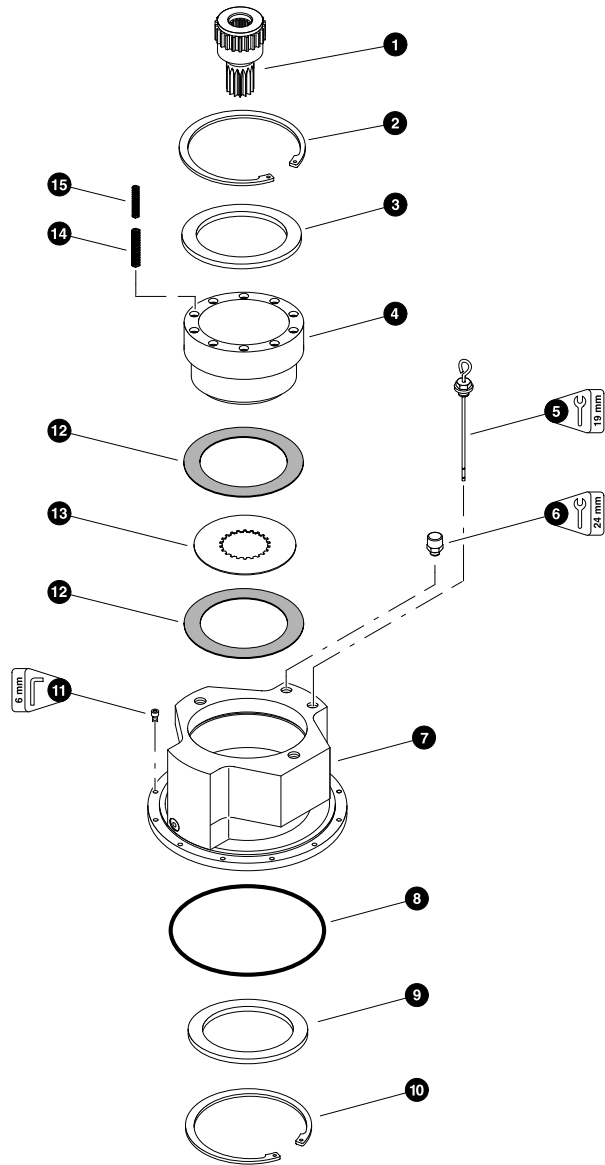
**LOHMANN SWING MOTOR/GEARBOX w/BRAKE
(Motor Installation)**

REF	PART #	QTY	DESCRIPTION	SEE SECTION
--	20070-UP	1	<input type="checkbox"/> MOTOR/GEARBOX, swing - Lohmann Gearbox & 45cc motor	
1	20661-UP	1	BOLT - 16mm-2.0P x 35mm	
2	17312-UP	1	<input type="checkbox"/> MOTOR, hydraulic - Rexroth A2FE45 cc	
	17238-UP	1	<input type="checkbox"/> MOTOR, hydraulic - Rexroth A2FE56 cc (Optional)	
3	21576-UP	1	SEAL, shaft	
4	21577-UP	1	O-RING, front cover	
5	21578-UP	1	COVER, front	
6	21579-UP	1	RING, seal retaining	
7	21580-UP	1	O-RING, motor pilot	
8	22694-UP	1	GEARBOX - Lohmann	

Kit or Assembly - includes all items indented underneath.

Note:

Due to warranty policy restrictions imposed by component suppliers, it is not recommended that the component be disassembled further than is shown in the illustration.



Parts 00626 11/10/2000
25,00

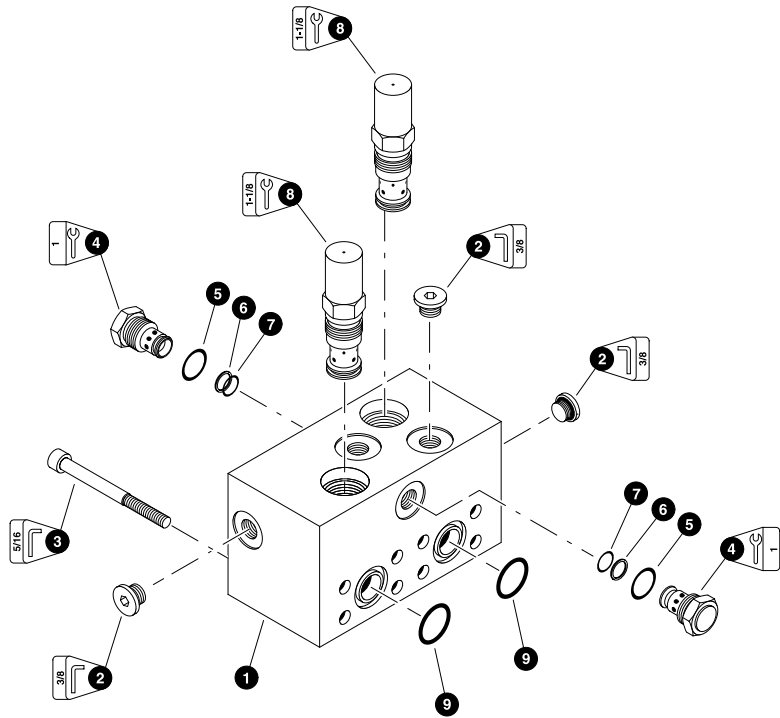
LOHMANN SWING MOTOR BRAKE COMPONENTS
(Swing Brake Components)

REF	PART #	QTY	DESCRIPTION	SEE SECTION
-	22694-UP	1	GEARBOX - Lohmann	
1	21565-UP	1	SHAFT, brake	
2	21566-UP	1	RING, snap - upper brake	
3	21567-UP	1	PLATE, back-up - upper brake	
4	21568-UP	1	PISTON, brake	
5	21569-UP	1	<input type="checkbox"/> DIPSTICK	
	21571-UP	1	<input type="checkbox"/> RING, seal	
6	21570-UP	1	<input type="checkbox"/> BREATHER	
	21571-UP	1	<input type="checkbox"/> RING, seal	
7	NSS	1	HOUSING, brake	
8	21572-UP	1	O-RING, brake housing	
9	21573-UP	1	PLATE, back-up - lower brake	
10	21574-UP	1	RING, snap - lower brake	
11	21575-UP	12	BOLT, allen head - 8mm x 25mm	
12	NSS	5	<input type="checkbox"/> DISC, brake	
13	NSS	4	<input type="checkbox"/> DISC, spacer	
14	NSS	10	<input type="checkbox"/> SPRING, outer	
15	NSS	10	<input type="checkbox"/> SPRING, inner	
--	20788-UP	1	<input type="checkbox"/> KIT, repair - brake disc	

- Kit or Assembly - includes all items indented underneath.
- Included in disc brake kit PN# 20788-UP.

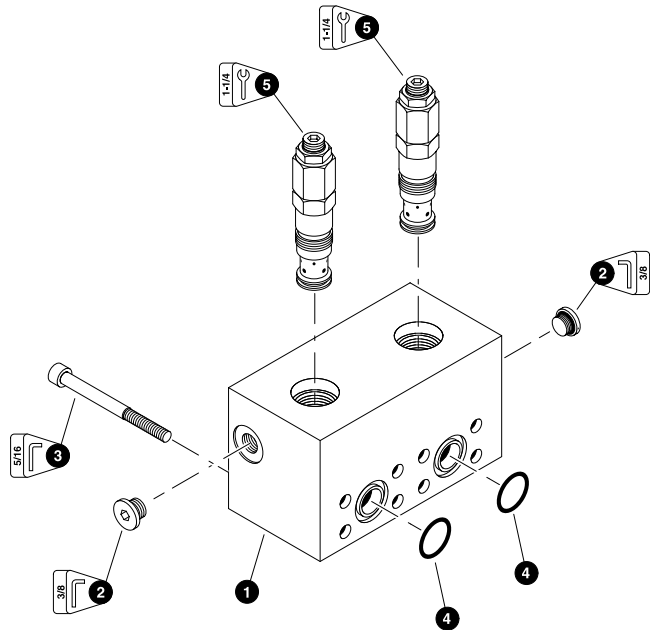
Note:

Due to warranty policy restrictions imposed by component suppliers, it is not recommended that the component be disassembled further than is shown in the illustration.



**LOHMANN SWING MOTOR ANTI-CAVITATION VALVE
(used before 4-22-04)**

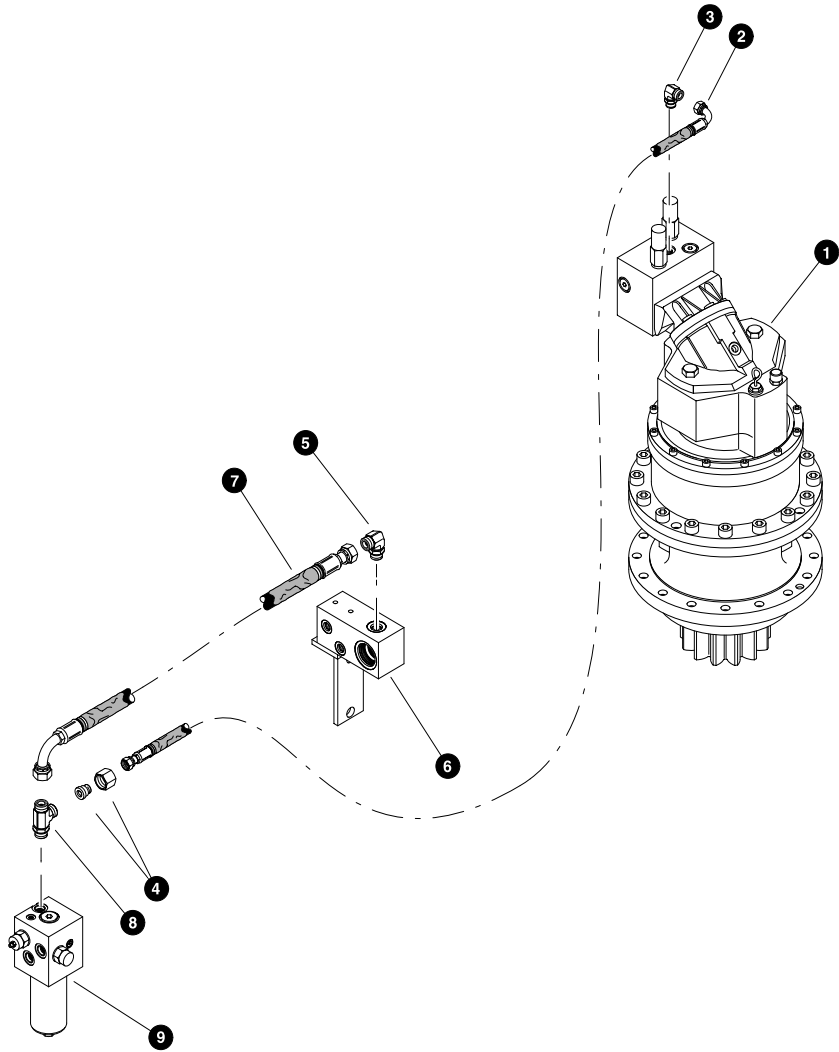
REF	PART #	QTY	DESCRIPTION	SEE SECTION
1	19703-UP	1	VALVE, anti-cav (With check)	
2	10416-UP	3	PLUG - 6408-10	
3	22884-UP	8	BOLT, allen head - 3/8" x 4"	
4	22883-UP	2	CARTRIDGE, check valve	
5	NSS	2	O-RING	
6	NSS	2	RING, back-up (Chamber)	
7	NSS	2	O-RING (Chamber)	
8	19270-UP	2	CARTRIDGE, anti-cav	
9	16918-UP	2	O-RING - 3/4" SF (code 62)	



Parts T3005 05/25/2004
50.00

**LOHMANN SWING MOTOR ANTI-CAVITATION VALVE
(used after 4-22-04)**

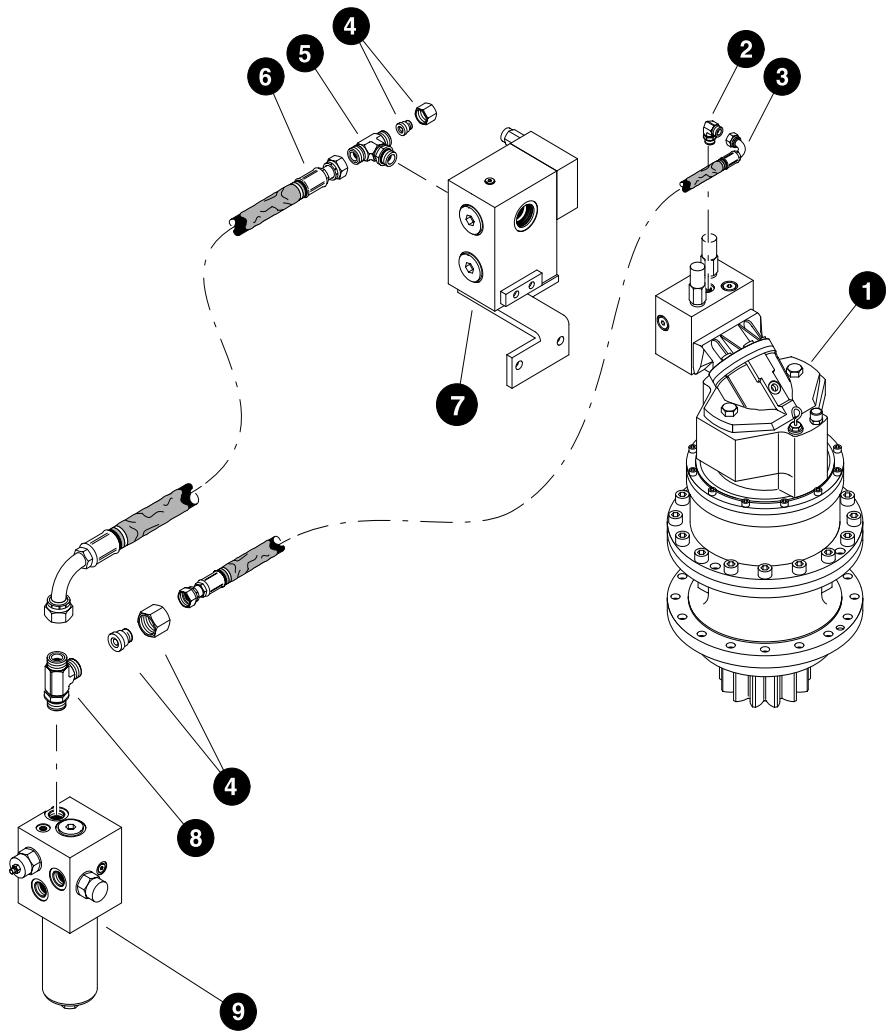
REF	PART #	QTY	DESCRIPTION	SEE SECTION
1	51376-UP	1	VALVE, anti-cav (With check)	
2	10416-UP	2	PLUG - 6408-10	
3	NSS	8	BOLT, allen head - 10MM X 80MM	
4	NSS	2	O-Ring 3/4" code 62	
5	51507-UP	2	CARTRIDGE, Anti-Cav (51055-20 D03 B)	



SWING MOTOR MAKE-UP LINE
(TF 820 machines built after 12/01/03)
(Charge Pressure Filter Manifold To Swing Motor Anti-Cavitation Valve) (Lohman)

REF	PART #	QTY	DESCRIPTION	SEE SECTION
1	REF	1	SWING MOTOR	UP-2
2	50798-UP	1	HOSE ASSEMBLY - 2075-08-080S-0809 (Hose termination block to swing motor make-up oil port)	
3	11306-UP	1	ELBOW, 90 - 6801-12-12	
4	18581-UP	2	CONNECTOR, reducer - FF2281T-0812S	
5	20027-UP	1	TEE - FF1861T-1212S	
6	REF	1	HOSE TERMINATION BLOCK	LH-3
7	-UP	1	HOSE ASSEMBLY - 2024-12-12OS-12O9-W (Wheel drive charge filter swing motor make-up oil port to tee swing hose termination block)	
8	22907-UP	2	TEE - 845-FSO-12X12 RUN	
9	REF	1	WHEEL DRIVE CHARGE FILTER ASSEMBLY	WD-3

☞ See referenced page for component or assembly breakdown.

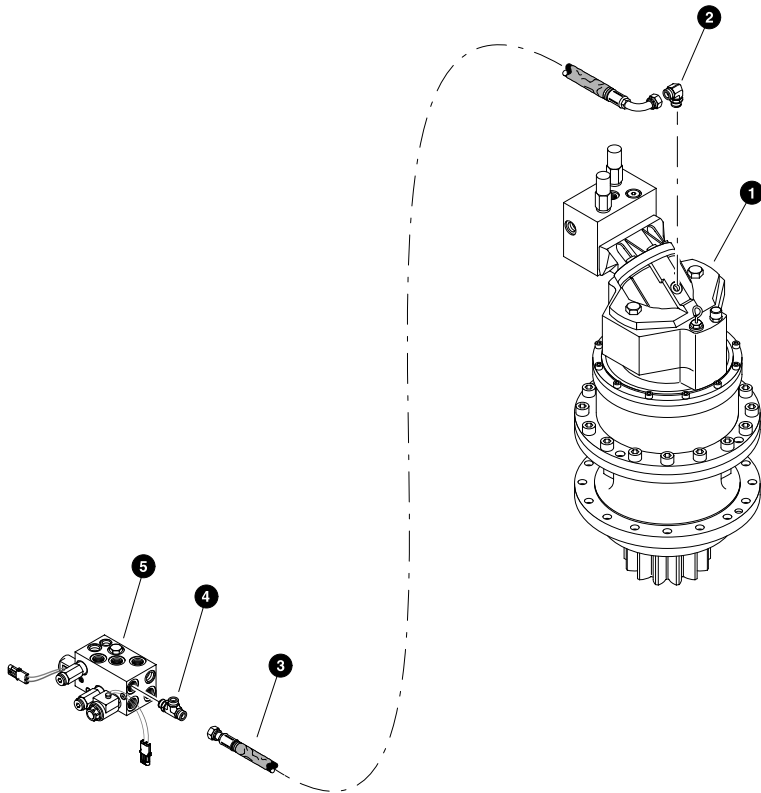


Parts T2974 03/25/2004
18.75

SWING MOTOR MAKE-UP LINE
(TB 820 & 620 machines built after 12/01/03)
(Charge Pressure Filter Manifold To Swing Motor Anti-Cavitation Valve) (Lohman)

REF	PART #	QTY	DESCRIPTION	SEE SECTION
1	REF.	1	SWING MOTOR	UP-2
2	15372-UP	1	ELBOW, 90° - FF1868T-0812S	
3	50798-UP	1	HOSE ASSEMBLY - 2075-08-080S-0809 (Hose termination block to swing motor make-up oil port)	
4	18581-UP	1	CONNECTOR, straight - FF2281T-0812S	
5	20027-UP	1	TEE - FF1861T-1212S	
6	51276-UP	1	HOSE ASSEMBLY -2015-12-120S-1209 (Return logic block port "X7" tee to Track drive charge filter assembly port "T1")	
7	REF.	1	RETURN LINE W-150 PSI LOGIC MANIFOLD	HH-2
8	22907-UP	2	TEE - 845-FSO-12X12 RUN	
9	REF.	1	WHEEL DRIVE CHARGE FILTER ASSEMBLY	WD-3

See referenced page for component or assembly breakdown.

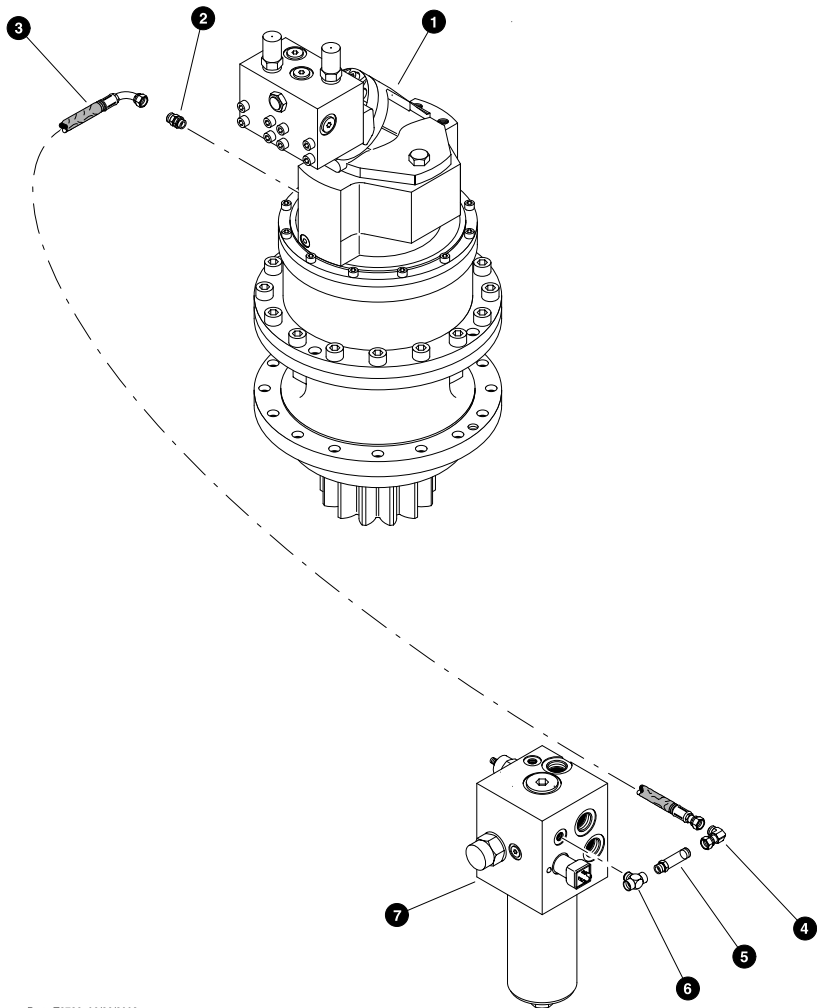


Parts T2725 06/26/2003
18,75

SWING MOTOR CASE DRAIN LINE
(Swing Motor To Return Oil Manifold)(Lohmann)

REF	PART #	QTY	DESCRIPTION	SEE SECTION
1	REF	1	SWING MOTOR	UP-2
2	19809-UP	1	ELBOW, 90° - 8M18C8OMLO-S	
3	50659-UP	1	HOSE ASSEMBLY - 2074-08-08OS-08O9 (Swing motor case drain port to upper solenoid manifold port "T" tee)	
4	51003-UP	1	TEE - 8 R50LO-S RUN	
5	REF	1	UPPER SOLENOID MANIFOLD	UP-4

See referenced page for component or assembly breakdown.

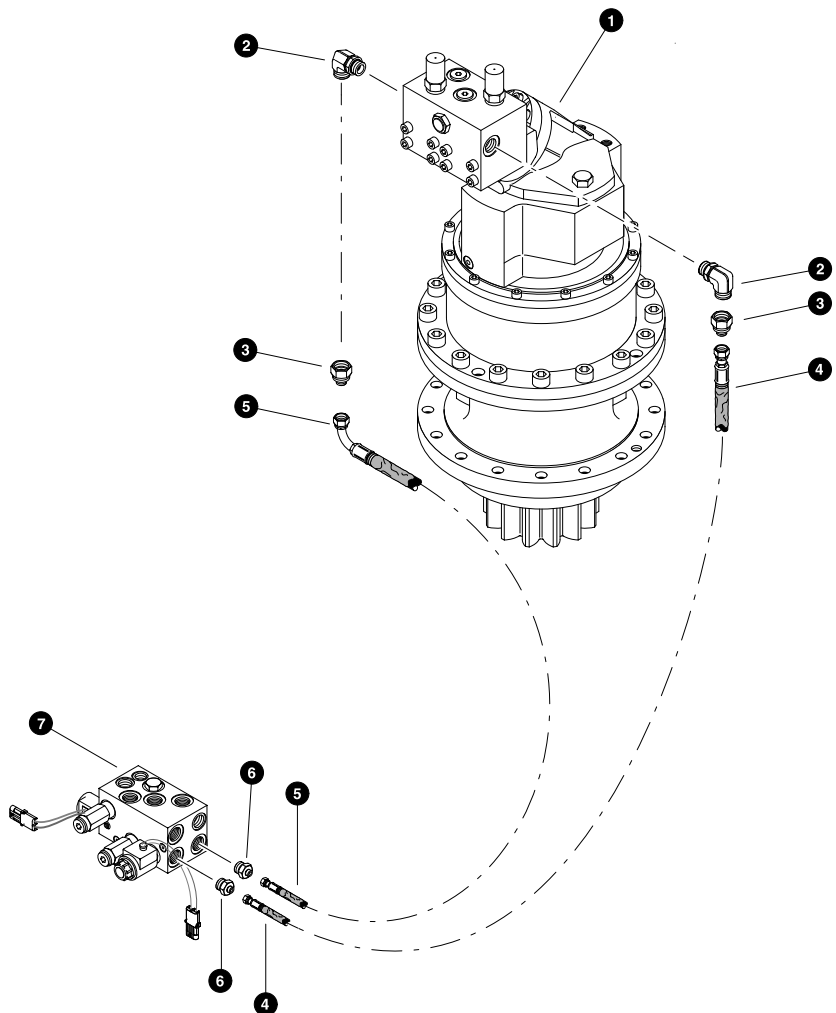


Parts T2726 06/26/2003
25.00

**SWING MOTOR BRAKE RELEASE LINE
(Lohmann)**

REF	PART #	QTY	DESCRIPTION	SEE SECTION
1	REF	1	SWING MOTOR	UP-2
2	19469-UP	1	CONNECTOR, straight metric - 4M12F82EDMLO-S	
3	54094-UP	1	HOSE ASSEMBLY - 2076-04-04OS-04O9 (Wheel drive charge pressure filter manifold tee to swing motor brake release port)	
4	15145-UP	1	ELBOW, 90° swivel - FF2098T-0404S	
5	20991-UP	1	CONNECTOR, straight - 0404s long	
6	24293-UP	1	TEE - SAE 4	
7	REF	1	WHEEL DRIVE CHARGE FILTER MANIFOLD	UP-4

See reference page for component or assembly breakdown.

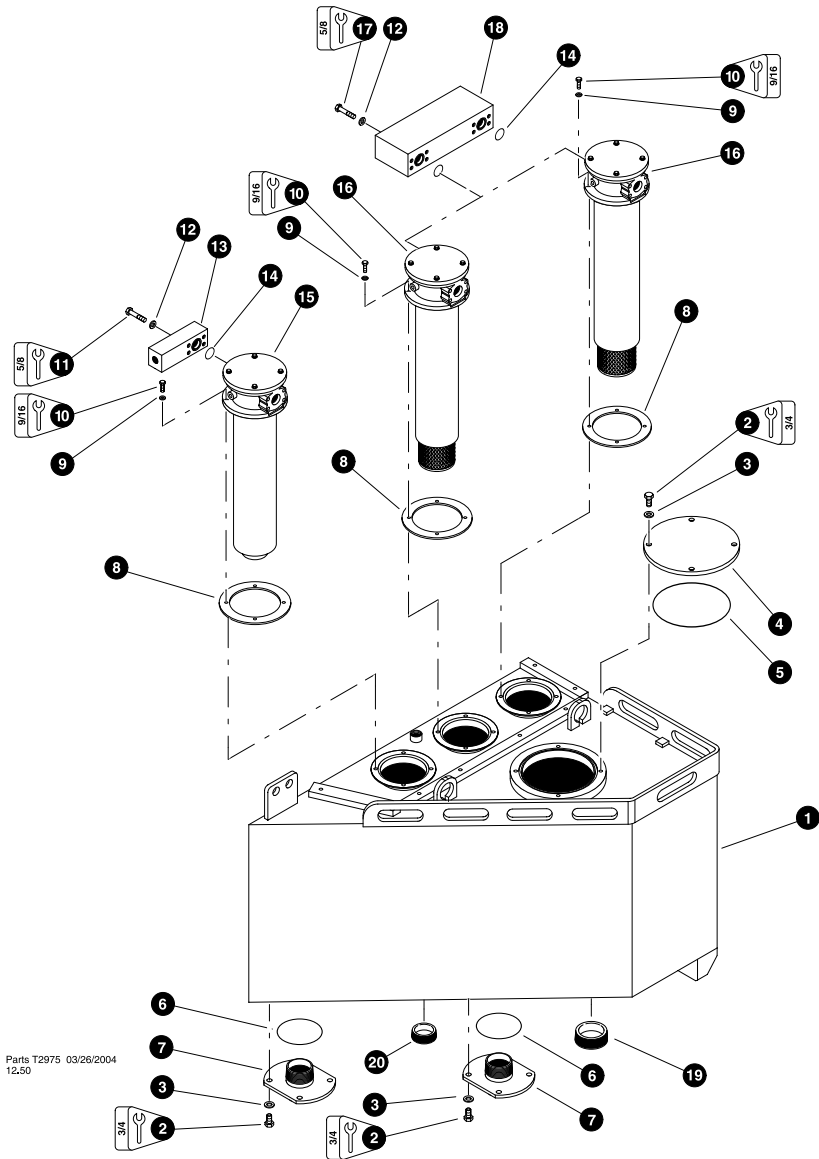


Parts T2727 03/25/2004
25.00

SWING FUNCTION DETENT LINES
(From Mono-Block Valve To Swing Motor Counterbalance Valve)(Lohmann)

REF	PART #	QTY	DESCRIPTION	SEE SECTION
1	REF	1	SWING MOTOR	UP-2
2	16360-UP	1	ELBOW, 90° - FF1868T-0808S	
3	19221-UP	1	CONNECTOR, reducer - FF2281T-0408S	
4	50643-UP	1	HOSE ASSEMBLY - 2071-04-04OS-04OS (Upper solenoid manifold port "SW1" to swing motor)	
5	54094-UP	1	HOSE ASSEMBLY - 2076-04-04OS-04O9 (Upper solenoid manifold port "SW2" to swing motor)	
6	19126-UP	1	ELBOW, 45° - 0808S	
7	REF	1	UPPER SOLENOID MANIFOLD	WD-3

See referenced page for component or assembly breakdown.

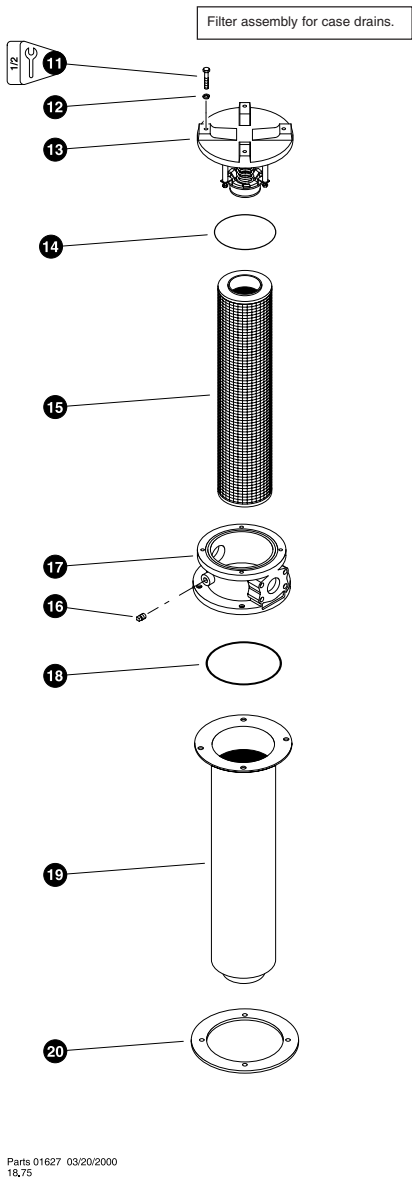


Parts T2975 03/26/2004
12.50

HYDRAULIC TANK ASSEMBLY

REF	PART #	QTY	DESCRIPTION	SEE SECTION
1	51342-UP	1	□ TANK, hydraulic oil	
2	10783-UP	12	BOLT - 1/2" x 1"	
3	15534-UP	12	WASHER, SAE flat - 1/2"	
4	18635-UP	1	COVER, tank access	
5	15600-UP	1	O-RING, tank access cover	
6	15448-UP	2	O-RING, system pump suction cover	
7	22462-UP	2	COVER, system pump suction	
8	REF.	3	☒ GASKET, rubber return filter mounting	UP-3
9	15528-UP	12	WASHER, SAE flat - 3/8"	
10	10402-UP	12	BOLT - 3/8" x 1-1/4"	
11	22888-UP	4	BOLT - 1/2" x 2-3/4"	
12	15534-UP	4	WASHER, SAE flat - 1/2"	
13	22634-UP	1	MANIFOLD, case drain	
14	15378-UP	1	O-RING - 1-1/4" SF	
15	REF.	1	☒ RETURN FILTER ASSEMBLY - case drain	UP-3
16	REF.	1	☒ RETURN FILTER ASSEMBLY - oil cooler return	UP-3
17	10837-UP	1	BOLT - 1/2" x 6"	
18	23478-UP	1	MANIFOLD, case - dual filter mount	
19	16774-UP	1	PLUG - 3"	
20	15634-UP	1	PLUG, BLACK PIPE - 1.5"	

□ Kit or Assembly - includes all items indented underneath.
☒ See referenced page for component or assembly breakdown.



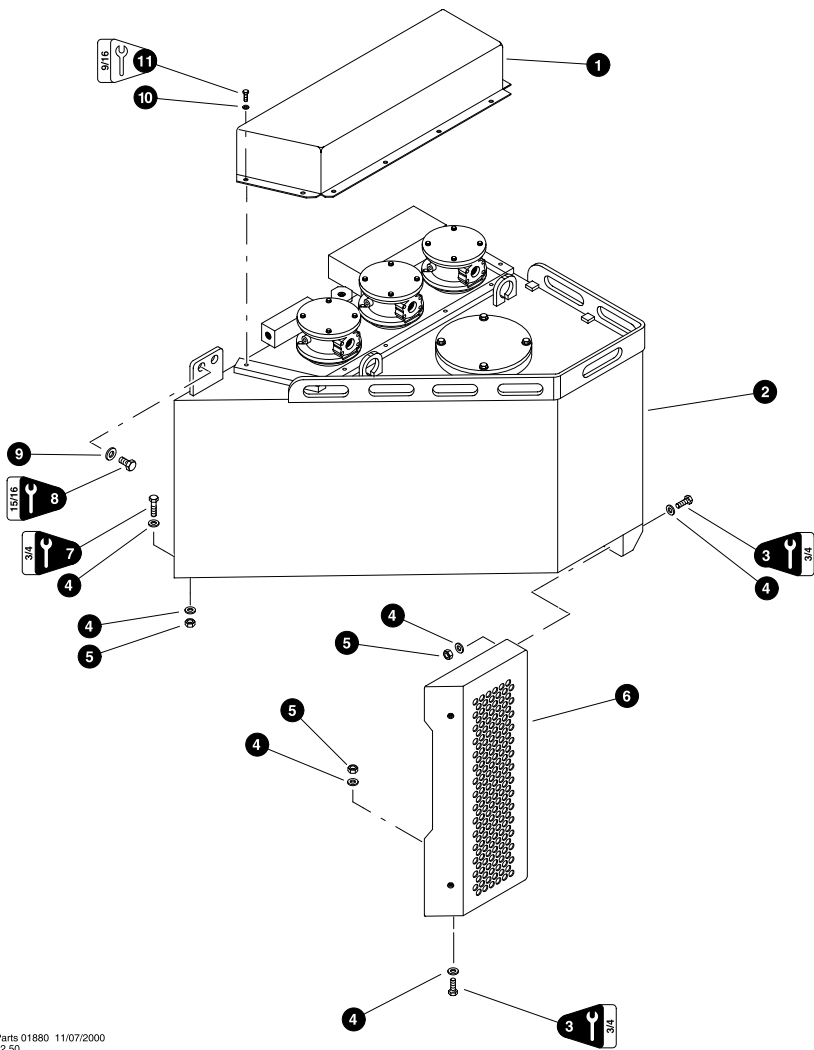
Filter assembly for oil cooler return oil and optional disc saw return oil.

Parts 01627 03/20/2000 18,75

RETURN FILTER ASSEMBLIES

REF	PART #	QTY	DESCRIPTION	SEE SECTION
-	22894-UP	2	<input type="checkbox"/> FILTER, return (System return oil)	
1	10882-UP	4	BOLT - 5/16" x 3/4"	
2	15559-UP	4	WASHER, SAE flat - 5/16"	
3	24825-UP	1	COVER, filter head	
4	NSS	1	<input type="checkbox"/> O-RING, filter head cover	
5	22647-UP	1	ELEMENT, return filter	
6	11360-UP	1	PLUG - 5406-P-2	
7	23597-UP	1	HEAD, filter (System return oil)	
8	NSS	1	<input type="checkbox"/> O-RING, square - filter head	
9	16769-UP	1	TUBE, diffuser	
10	NSS	1	<input type="checkbox"/> GASKET, rubber filter mounting	
-	22646-UP	1	<input type="checkbox"/> FILTER, return (Used with case drains)	
11	10882-UP	4	BOLT - 5/16" x 3/4"	
12	15559-UP	4	WASHER, SAE flat - 5/16"	
13	16764-UP	1	COVER, filter head	
14	NSS	1	<input type="checkbox"/> O-RING, filter head cover	
15	22647-UP	1	ELEMENT, return filter	
16	11360-UP	1	PLUG - 5406-P-2	
17	24789-UP	1	HEAD, filter	
18	NSS	1	<input type="checkbox"/> O-RING, square - filter head	
19	18772	1	TUBE, diffuser	
20	NSS	1	<input type="checkbox"/> GASKET, rubber filter mounting	
-	16852-UP	1	<input type="checkbox"/> KIT, seal repair - return filter	

Kit or Assembly - includes all items indented underneath.
 Included in seal repair kit PN# 16852-UP.

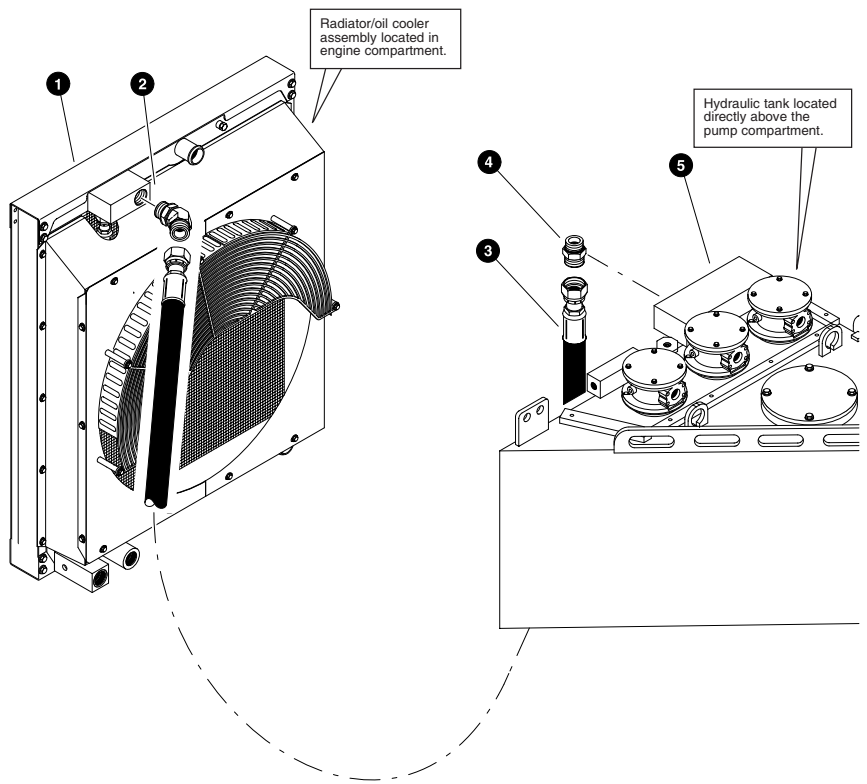


Parts 01880 11/07/2000
12,50

HYDRAULIC TANK INSTALLATION

REF	PART #	QTY	DESCRIPTION	SEE SECTION
1	14369-UP	1	GUARD, return filter	
2	REF.	1	HYDRAULIC TANK ASSEMBLY	UP-3
3	10739-UP	6	BOLT - 1/2" x 1-1/2" (100 ft.lbs. (135 Nm))	
4	15534-UP	14	WASHER, SAE flat - 1/2"	
5	10815-UP	3	NUT, lock - 1/2"	
6	14360-UP	1	SUPPORT, hydraulic tank	
7	10736-UP	2	BOLT - 1/2" x 2" (100 ft.lbs. (135 Nm))	
8	15502-UP	2	BOLT - 5/8" x 1-1/2" (200 ft.lbs. (265 Nm))	
9	10771-UP	2	WASHER, SAE flat - 5/8"	
10	15528-UP	9	WASHER, SAE flat - 3/8"	
11	15542-UP	9	BOLT - 3/8" x 3/4"	

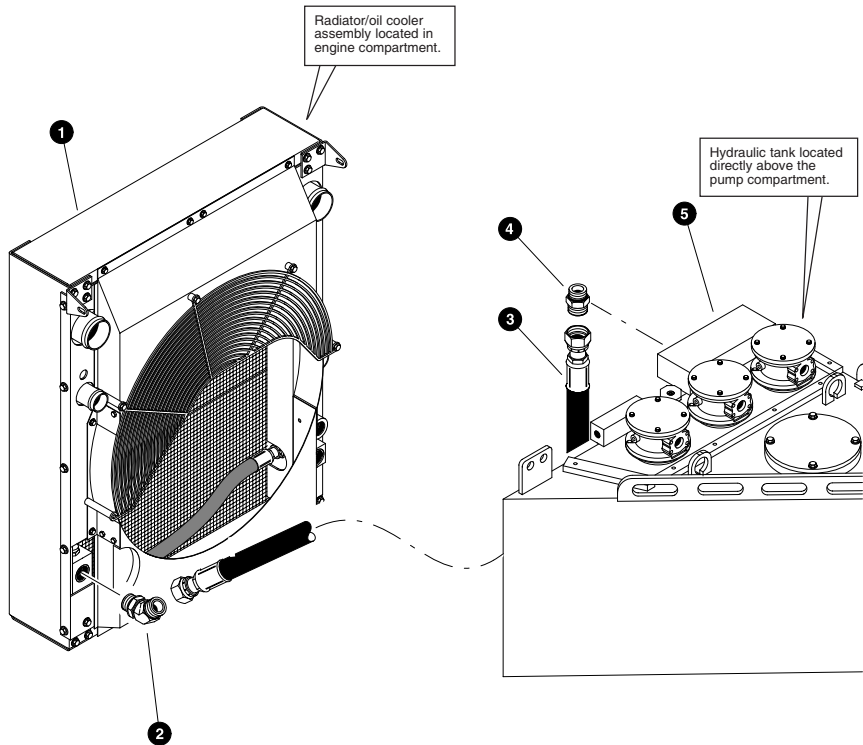
See referenced page for component or assembly breakdown.



**RETURN LINES - OIL COOLER & MANIFOLD TO TANK
(Used With Cummins 6C8.3-C Engine)**

REF	PART #	QTY	DESCRIPTION	SEE SECTION
1	REF.	1	RADIATOR/OIL COOLER ASSEMBLY	EN-1
2	24257-UP	1	ELBOW, 45 - FF2068T-2424S	
3	50687-UP	1	HOSE ASSEMBLY - 1088-24-240S-240S (Oil cooler top port to center return filter)	
4	22448--UP	1	CONNECTOR, straight - TTO-24x24	
5	REF.	1	HYDRAULIC TANK ASSEMBLY	UP-3

See referenced page for component or assembly breakdown.

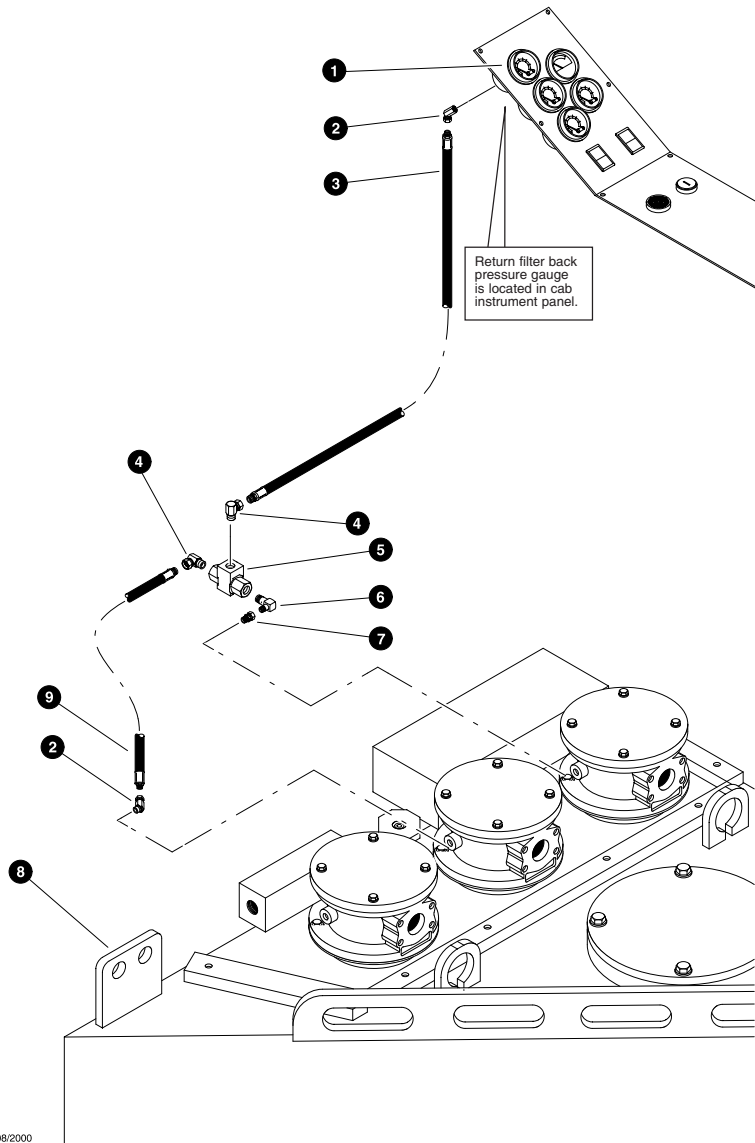


Parts 02304 07/23/2001
12.50

RETURN LINES - OIL COOLER & MANIFOLD TO TANK
(Used With all Electronic Engines)

REF	PART #	QTY	DESCRIPTION	SEE SECTION
1	REF.	1	RADIATOR/OIL COOLER ASSEMBLY	EE-1
2	24257-UP	1	ELBOW, 45 - FF2068T-2424S	
3	50687-UP	1	HOSE ASSEMBLY - 1088-24-240S-240S (Oil cooler top port to center return filter)	
4	22448--UP	1	CONNECTOR, straight - TTO-24x24	
5	REF.	1	HYDRAULIC TANK ASSEMBLY	UP-3

See referenced page for component or assembly breakdown.

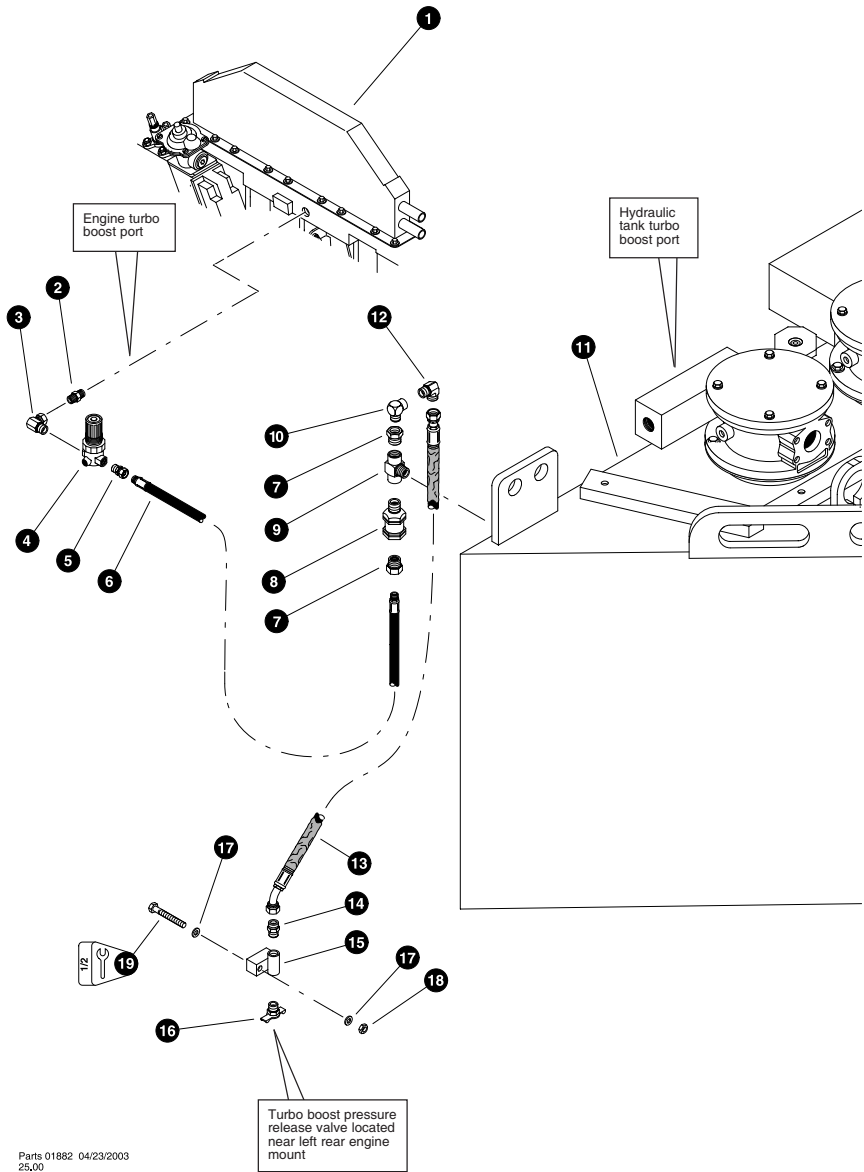


Parts 01881 11/08/2000
12.50

RETURN FILTER BACK PRESSURE SENSE LINE

REF	PART #	QTY	DESCRIPTION	SEE SECTION
1	18170-UP	1	GAUGE, return filter back pressure	
2	21617-UP	1	ELBOW, 45° swivel female - 1504-2-2	
3	50633-UP	1	HOSE ASSEMBLY - 2148-04-04PS-02PS (Return filter shuttle valve to return filter back pressure gauge)	
4	10320-UP	2	ELBOW, 90° swivel - 1501-4-4	
5	16802-UP	1	VALVE, shuttle	
6	16791-UP	1	ELBOW, 90° - 5500-4-2	
7	15391-UP	1	CONNECTOR, straight swivel - 1404-2-2	
8	REF.	1	HYDRAULIC TANK ASSEMBLY	UP-3
9	23701-UP	1	HOSE ASSEMBLY - 2011-04-04PS-02PS (Case drain filter head to shuttle valve)	

See referenced page for component or assembly breakdown.

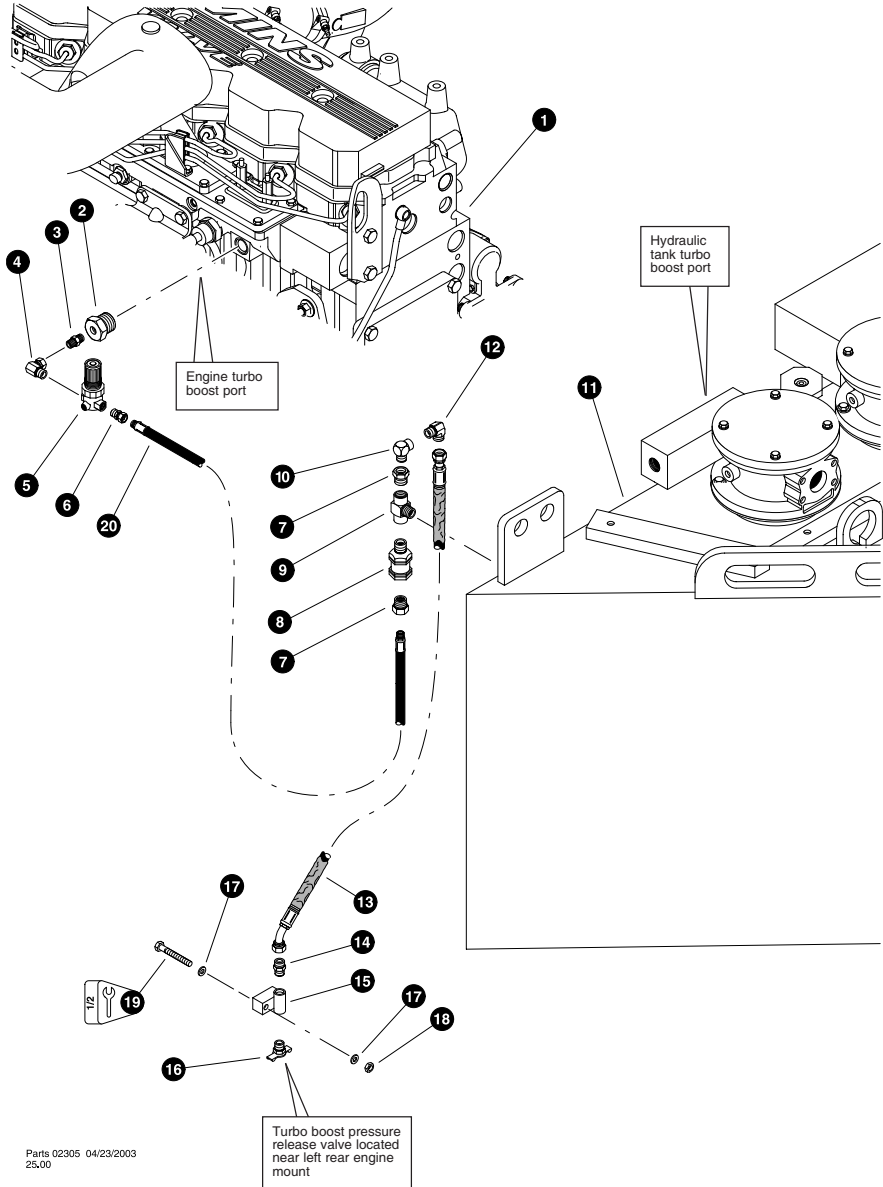


Parts 01882 04/23/2003
25,00

TURBO BOOST TANK PRESSURE LINE
(Used With Cummins 6C8.3-C Engine)

REF	PART #	QTY	DESCRIPTION	SEE SECTION
1	REF.	1	ENGINE - Cummins 6C8.3-C	EN-3
2	15567-UP	1	CONNECTOR, straight - 5404-4	
3	11331-UP	1	CONNECTOR, straight swivel - 1404-4-4	
4	15649-UP	1	REGULATOR, turbo boost	
5	10320-UP	1	ELBOW, 90° swivel - 1501-4-4	
6	50634-UP	1	HOSE ASSEMBLY - 2037-04-04PS-04PS (Turbo boost regulator to hydraulic tank)	
7	11318-UP	2	BUSHING, reducer - 5406-6-4	
8	15652-UP	1	VALVE, check	
9	15651-UP	1	TEE - 5604-6	
10	21147-UP	1	ELBOW, 90° brass - 1/4"	
11	REF.	1	HYDRAULIC TANK ASSEMBLY	UP-3
12	15505-UP	1	ELBOW, 90° - FF2032T-0404S	
13	50599-UP	1	HOSE ASSEMBLY - 2051-04-040S-0404 (Turbo boost port tee to shut-off valve)	
14	15131-UP	1	CONNECTOR, straight - FF2031T-0404S	
15	23908-UP	1	BRACKET, hyd tank vent	
16	15650-UP	1	VALVE, shut-off	
17	10757-UP	2	WASHER, SAE flat - 5/16"	
18	10812-UP	1	NUT, lock - 5/16"	
19	10824-UP	1	BOLT - 5/16" x 2-1/2"	

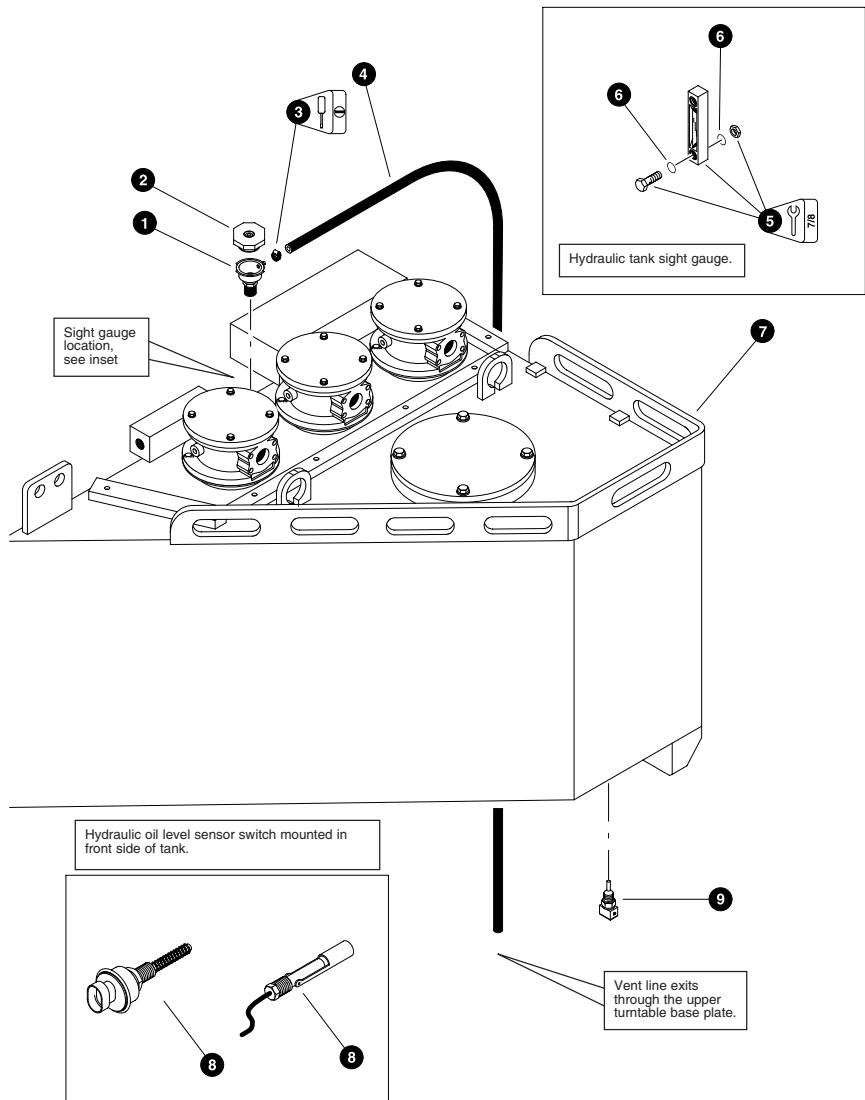
See referenced page for component or assembly breakdown.



TURBO BOOST TANK PRESSURE LINE
(Used With Cummins QSC 8.3-C Engine)

REF	PART #	QTY	DESCRIPTION	SEE SECTION
1	REF.	1	ENGINE - Cummins 6C8.3-C	EE-3
2	24290-UP	1	BUSHING, reducer - 5406-12-4	
3	15567-UP	1	CONNECTOR, straight - 5404-4	
4	10320-UP	1	ELBOW, 90° swivel - 1501-4-4	
5	15649-UP	1	REGULATOR, turbo boost	
6	11331-UP	1	CONNECTOR, straight swivel - 1404-4-4	
7	11318-UP	2	BUSHING, reducer - 5406-6-4	
8	15652-UP	1	VALVE, check	
9	15651-UP	1	TEE - 5604-6	
10	21147-UP	1	ELBOW, 90° brass - 1/4"	
11	REF.	1	HYDRAULIC TANK ASSEMBLY	UP-3
12	15505-UP	1	ELBOW, 90° - FF2032T-0404S	
13	50599-UP	1	HOSE ASSEMBLY - 2051-04-040S-0404 (Turbo boost port tee to shut-off valve)	
14	15131-UP	1	CONNECTOR, straight - FF2031T-0404S	
15	23908-UP	1	BRACKET, hyd tank vent	
16	15650-UP	1	VALVE, shut-off	
17	10757-UP	2	WASHER, SAE flat - 5/16"	
18	10812-UP	1	NUT, lock - 5/16"	
19	10824-UP	1	BOLT - 5/16" x 2-1/2"	
20	50634-UP	1	HOSE ASSEMBLY - 2037-04-04PS-04PS (Turbo boost regulator to hydraulic tank)	

See referenced page for component or assembly breakdown.

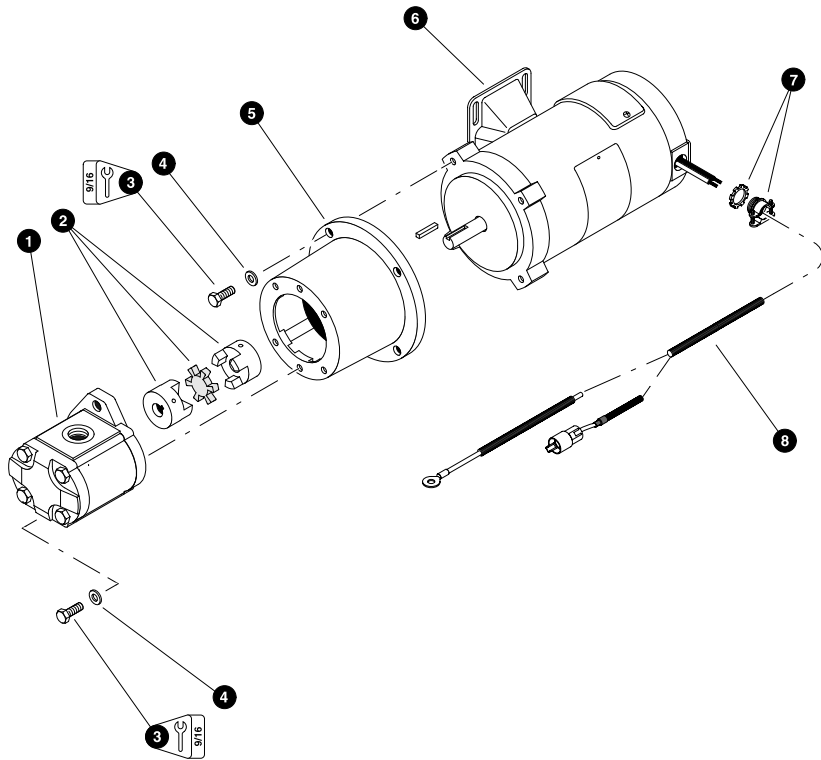


Parts 01883 11/08/2000
18,75

HYDRAULIC TANK VENT LINE & SIGHT GAUGE

REF	PART #	QTY	DESCRIPTION	SEE SECTION
1	17156-UP	1	STEM, pressure relief cap	
2	18135-UP	1	CAP, pressure relief - 13 psi	
3	16202-UP	1	CLAMP, hose - worm style - 5/8"	
4	16238-UP	AR	HOSE, rubber - 5/16"	
5	15864-UP	1	GAUGE, hydraulic oil level sight	
6	17541-UP	4	O-RING	
7	REF.	1	HYDRAULIC TANK ASSEMBLY	UP-3
8	17118-UP	1	SWITCH, hydraulic oil level (used before 03/20/04)	
8	51379-UP	1	SWITCH, HYD. OIL LEVEL .38NPT GEMS (used after 03/20/04)	
9	24531-UP	1	TRANSDUCER, HYD TEMP	

- ⌘ Bulk material - order length required in feet or meters.
- ☐ Kit or assembly - includes all items indented underneath.
- 📖 See referenced page for component or assembly breakdown.

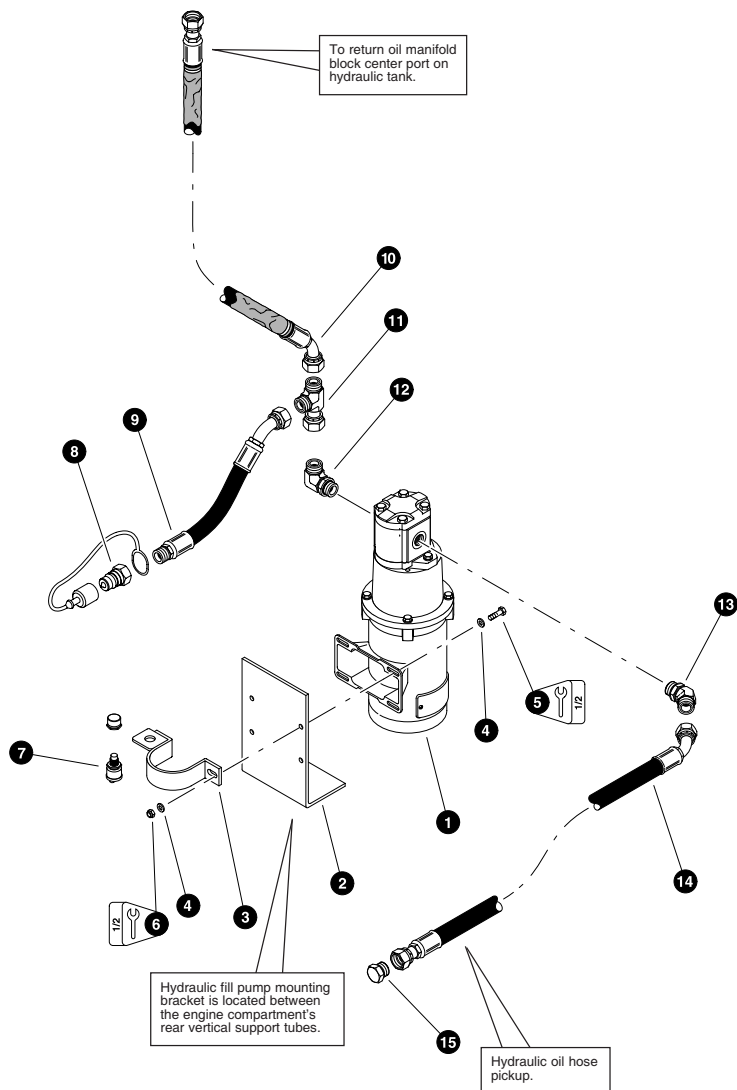


Parts 00143 05/21/04

ELECTRIC HYDRAULIC OIL FILL PUMP ASSEMBLY

REF	PART #	QTY	DESCRIPTION	SEE SECTION
-	23270-UP	1	<input type="checkbox"/> HYDRAULIC OIL FILL PUMP ASSEMBLY - 24v	
1	16800-UP	1	PUMP, electric hydraulic oil fill	
2	16799-UP	1	COUPLING, motor	
3	11707-UP	6	BOLT - 3/8" x 1"	
4	15528-UP	6	WASHER, SAE flat - 3/8"	
5	16801-UP	1	BRACKET, motor/pump mounting	
6	51503-UP	1	MOTOR, electric hydraulic oil fill - 24v	
7	16331-UP	1	RELIEF, strain	
8	24421-UP	2	HARNESS, WIRE HYD FILL PUMP	

Kit or Assembly - includes all items indented underneath.

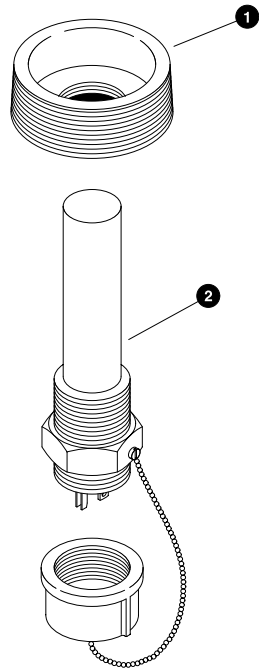


Parts T2659 04/23/2003
18,75

ELECTRIC HYDRAULIC OIL FILL PUMP INSTALLATION

REF	PART #	QTY	DESCRIPTION	SEE SECTION
1	REF.	1	PUMP/MOTOR ASSEMBLY	UP-3
2	14324-UP	1	BRACKET, hydraulic fill pump mounting	
3	REF.	1	BRACKET,	
4	15559-UP	8	WASHER, SAE flat - 5/16"	
5	10822-UP	4	BOLT - 5/16" x 1-1/4"	
6	10812-UP	4	NUT, lock - 5/16"	
7	25104-UP	1	SWITCH, fill pump actuation	
8	17307M-UP	2	COUPLING, quick-disconnect - male - 1/2"	
	17323M-UP	2	COVER, quick-disconnect - male - 1/2"	
9	50665-UP	1	HOSE ASSEMBLY - 4008-08-0804-08PS (Factory fill hose)	
10	50655-UP	1	HOSE ASSEMBLY - 2046-08-080S-0804 (Electric hydraulic oil fill pump to return oil manifold block center port)	
11	15433-UP	1	TEE - FF2114T-0808S	
12	15154-UP	1	ELBOW, 90° - FF1868T-0810S	
13	17688-UP	1	ELBOW, 90° - FF1868T-1212S	
14	50670-UP	1	HOSE ASSEMBLY - 2080-08-080S-0804 (Electric hydraulic oil fill pump inlet hose)	
15	16033-UP	1	PLUG - FF9767-12S	

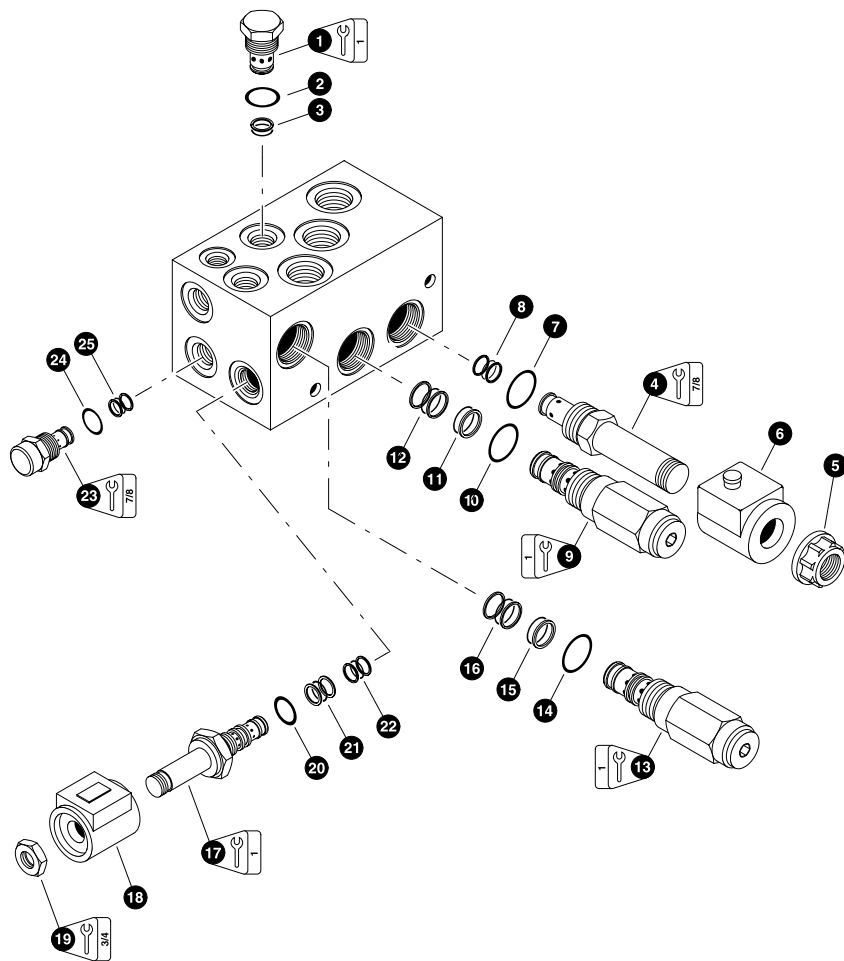
See referenced page for component or assembly breakdown.



Parts 00306 11/09/2000
62,50

OPTIONAL IN-TANK ELECTRIC HYDRAULIC OIL HEATERS

REF	PART #	QTY	DESCRIPTION	SEE SECTION
1	20068-UP	1	BUSHING, black reducer - 3" x 1-1/4"	
2	20069-UP	1	HEATER ASSEMBLY (120V / 500W)	

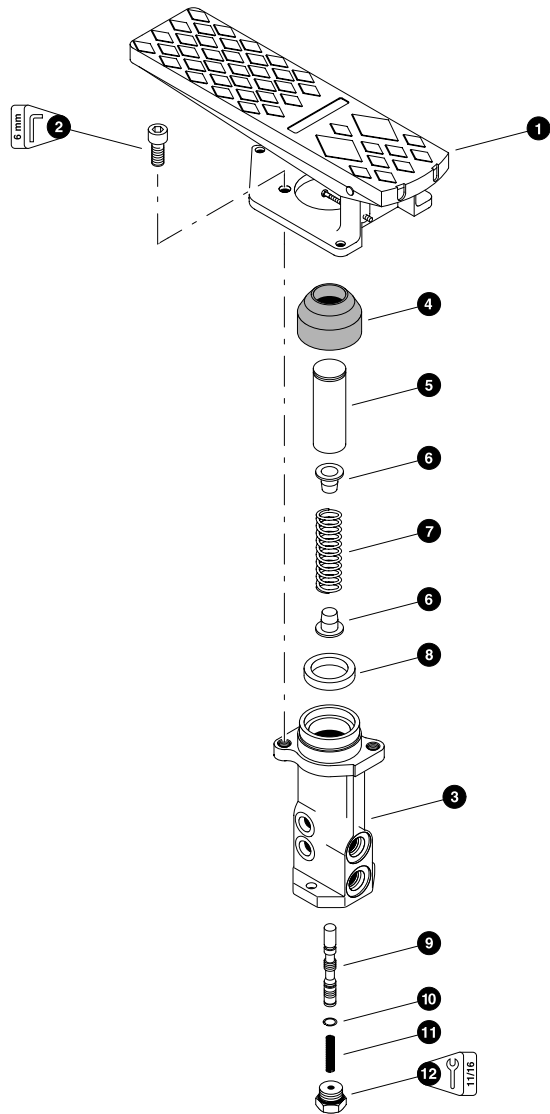


Parts 01928 12/08/2000
62.50

UPPER SOLENOID MANIFOLD

REF	PART #	QTY	DESCRIPTION	SEE SECTION
-	23610-UP	1	☐ MANIFOLD, upper solenoid - 24V	
1	24064-UP	1	☐ CARTRIDGE, check valve (CV10-20-0-N-05)	
2	NSS	1	⊗ O-RING, body	
3	NSS	1	⊗ SEALS, chamber	
4	24066-UP	1	☐ CARTRIDGE, solenoid valve - Swing Detent 24V (SV58-24-0-P-24DW)	
5	NSS	1	NUT	
6	23624-UP	1	COIL - 24V	
7	NSS	1	◆ O-RING, body	
8	NSS	1	◆ SEALS, chamber	
9	20292-UP	1	☐ CARTRIDGE, unloading (UP10-30H-0-N-90-30/20)	
10	NSS	1	● O-RING, body	
11	NSS	1	● SEALS, chamber (Large)	
12	NSS	1	● SEALS, chamber (Small)	
13	24067-UP	1	☐ CARTRIDGE, relief valve (PR50-36H-0-P-50/21)	
14	NSS	1	○ O-RING, body	
15	NSS	1	○ SEALS, chamber (Large)	
16	NSS	1	○ SEALS, chamber (Small)	
17	24069-UP	1	☐ CARTRIDGE, solenoid valve - Pump Destroy 24V (SV08-20-N-24DW)	
18	23622-UP	1	COIL - 24V (Green harness wires)	
19	NSS	1	NUT	
20	NSS	1	■ O-RING, body	
21	NSS	1	■ SEALS, chamber (Large)	
22	NSS	1	■ SEALS, chamber (Small)	
23	20296-UP	1	☐ CARTRIDGE, orifice (FR08-20F-0-N-0.25)	
24	NSS	1	❖ O-RING, body	
25	NSS	1	❖ SEALS, chamber	
-	24078-UP	1	KIT, seal repair - check valve cartridge	
-	24079-UP	1	KIT, seal repair - solenoid valve cartridge (SV58)	
-	24080-UP	1	KIT, seal repair - unloading valve cartridge	
-	24081-UP	1	KIT, seal repair - relief valve cartridge	
-	24082-UP	1	KIT, seal repair - solenoid valve cartridge (SV08)	
-	20299-UP	1	KIT, seal repair - orifice cartridge	

- ☐ Kit or Assembly - includes all items indented underneath.
- ⊗ Included in seal repair kit Part # 24078-UP.
- ◆ Included in seal repair kit Part # 24079-UP.
- Included in seal repair kit Part # 24080-UP.
- Included in seal repair kit Part # 24081-UP.
- Included in seal repair kit Part # 24082-UP.
- ❖ Included in seal repair kit Part # 20299-UP.

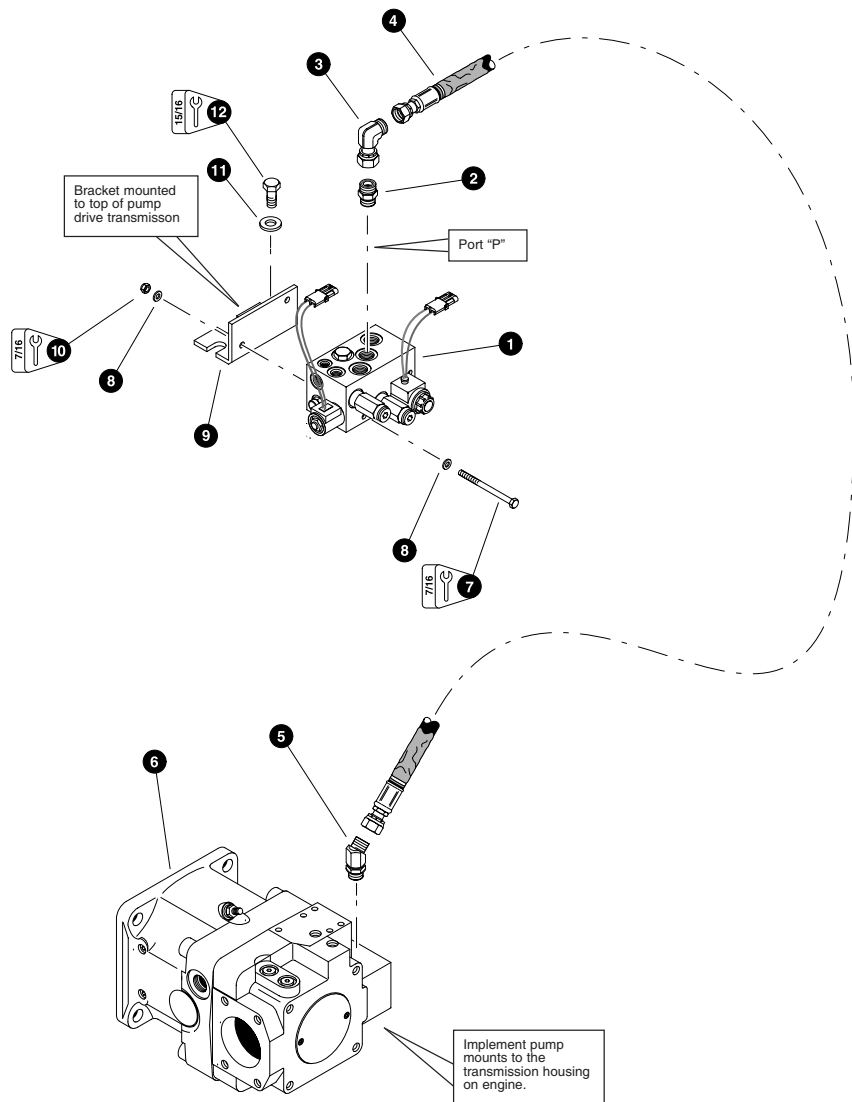


Parts 00389 01/19/98
50.00

FOOT CONTROL BRAKE VALVE

REF	PART #	QTY	DESCRIPTION	SEE SECTION
1	19066-WD	1	PEDAL ASSEMBLY	
2	18965-WD	2	BOLT, allen head - 8mm-1.25P x 20mm	
3	18835-WD	1	□ VALVE, brake control (60 Bar)	
4	20745-WD	1	BOOT	
5	20746-WD	1	PISTON	
6	20747-WD	2	RETAINER, spring	
7	20748-WD	1	SPRING, piston	
8	20749 -WD	1	SEAL, piston	
9	NSS	1	SPOOL	
10	20751-WD	1	RING, snap	
11	20752-WD	1	SPRING, control	
12	20753-WD	1	PLUG	

□ Kit or Assembly - includes all items indented underneath.

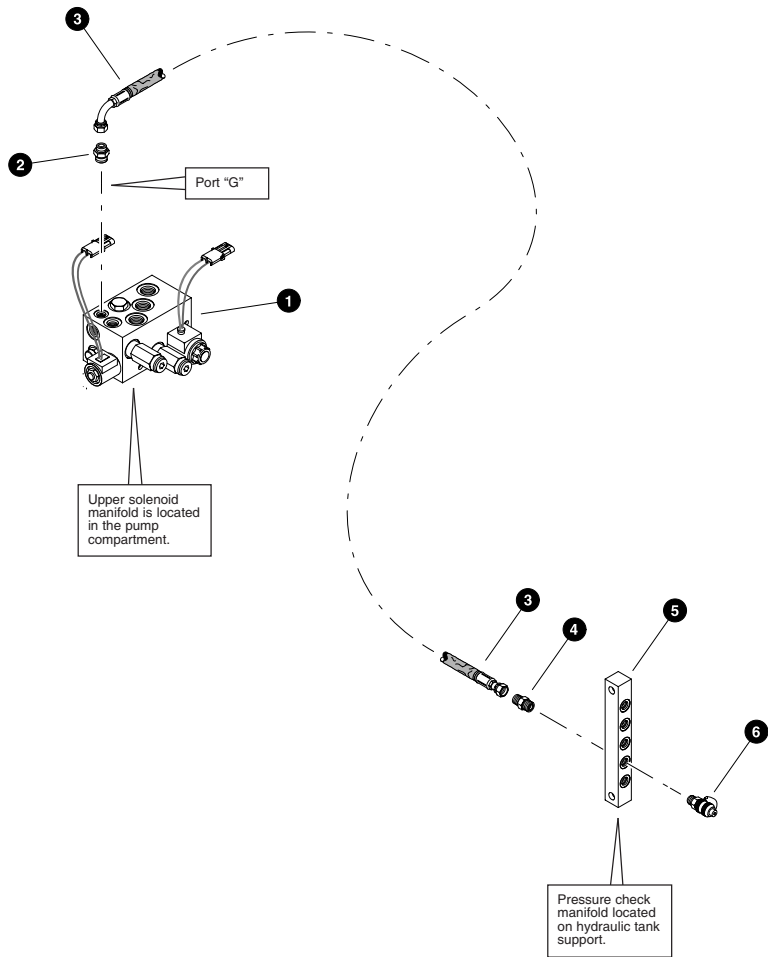


Parts 02307 07/25/2001
25.00

UPPER SOLENOID MANIFOLD PRESSURE LINE

REF	PART #	QTY	DESCRIPTION	SEE SECTION
1	REF.	1	UPPER SOLENOID MANIFOLD	UP-4
2	15117-UP	1	CONNECTOR, straight - FF1852T-0808S	
3	16297-UP	1	ELBOW, 90° swivel - FF2098T-0808S	
4	50661-UP	1	HOSE ASSEMBLY - 4028-08-080S-080S (Implement pump pressure outlet to upper solenoid manifold port "P")	
5	10645-UP	1	ELBOW, 45° swivel - FF2093T-0808S	
6	REF.	1	IMPLEMENT PUMP	LH-1
7	10754-UP	2	BOLT - 1/4" x 3-1/2"	
8	10757-UP	2	WASHER, SAE flat - 1/4"	
9	23529-UP	1	BRACKET, upper solenoid manifold	
10	10811-UP	2	NUT, lock - 1/4"	
11	10771-UP	2	WASHER, SAE flat - 5/8"	
12	15502-UP	2	BOLT - 5/8" x 1-1/2"	

See referenced page for component or assembly breakdown.

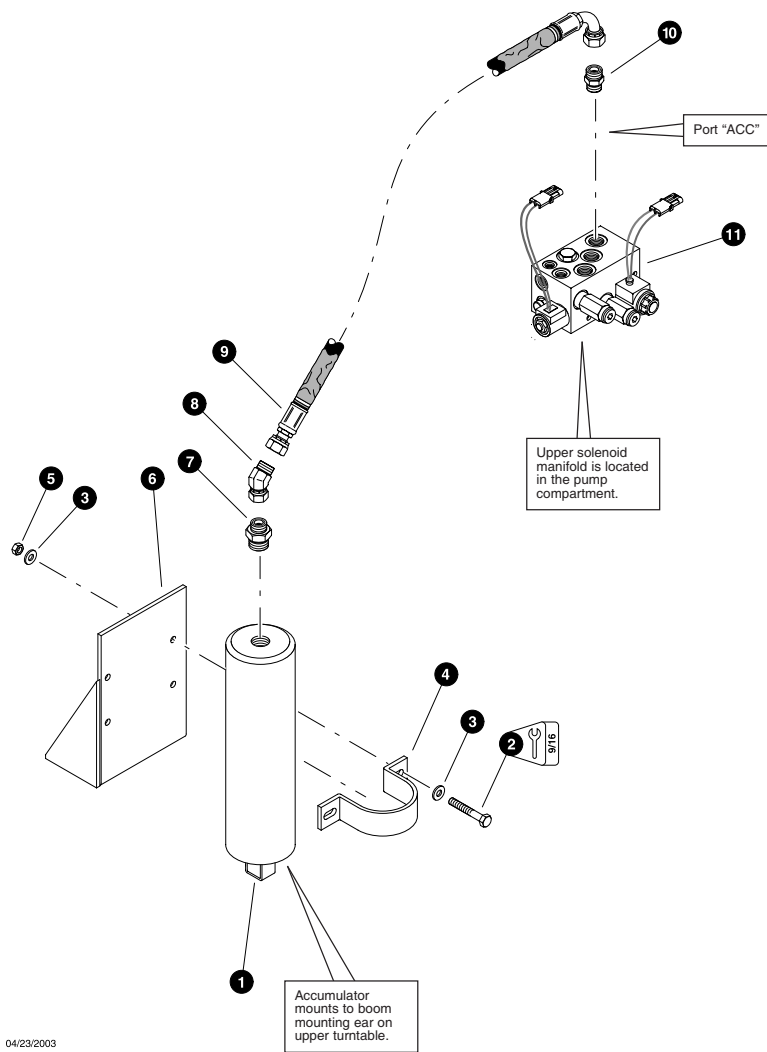


Parts 01961 01/03/2001
25.00

UPPER SOLENOID MANIFOLD PRESSURE TEST GAUGE LINE

REF	PART #	QTY	DESCRIPTION	SEE SECTION
1	REF.	1	UPPER SOLENOID MANIFOLD	UP-4
2	15124-UP	1	CONNECTOR, STR - FF1852T-0406S	
3	50641-UP	1	HOSE ASSEMBLY - 2043-04-040S-0409 (Upper solenoid manifold port "G" to pressure check manifold)	
4	16541-UP	1	CONNECTOR, straight - FF1852T-0404S	
5	22287-UP	1	MANIFOLD, PRESSURE CHECK	
6	16037-UP	1	TAP, gauge port (1/4" ORB)	

See referenced page for component or assembly breakdown.

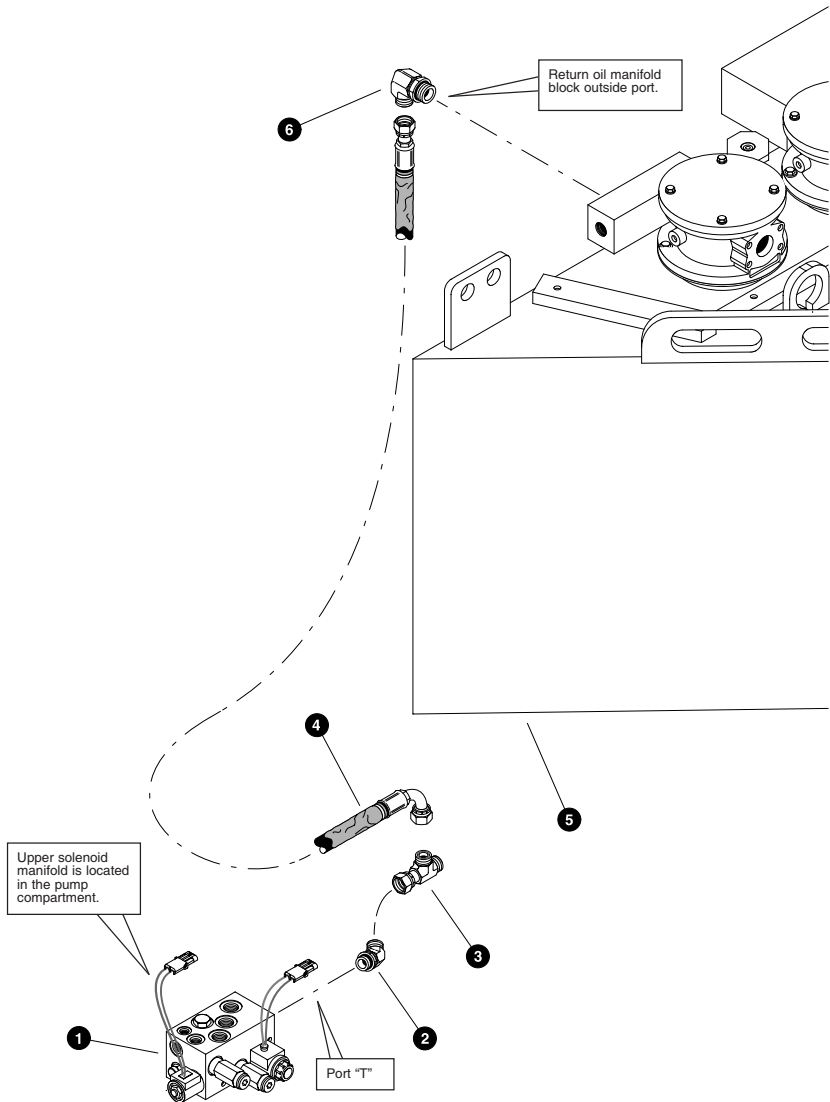


Parts T2660 04/23/2003
25.00

ACCUMULATOR CHARGING LINE

REF	PART #	QTY	DESCRIPTION	SEE SECTION
1	23130-UP	1	ACCUMULATOR (1,000 psi [13 780 k Pa] pre-charge)	
2	10702-UP	1	BOLT - 3/8" x 2-1/2"	
3	10802-UP	2	WASHER, flat - 3/8"	
4	23223-UP	1	CLAMP, accumulator mounting	
5	10813-UP	1	NUT, lock - 3/8"	
6	REF.		BRACKET, hydraulic fill pump mounting	UP-3
7	16913-UP	1	CONNECTOR, straight - FF1852T-1208S	
8	10645-UP	1	ELBOW, 45° - FF2093T-0808S	
9	50616-UP	1	HOSE ASSEMBLY - 4022-08-080S-0809 (Upper solenoid manifold port "ACC" to accumulator)	
10	15117-UP	1	CONNECTOR, straight - FF1852T-0808S	
11	REF.	1	UPPER SOLENOID MANIFOLD	UP-4

☞ See referenced page for component or assembly breakdown.

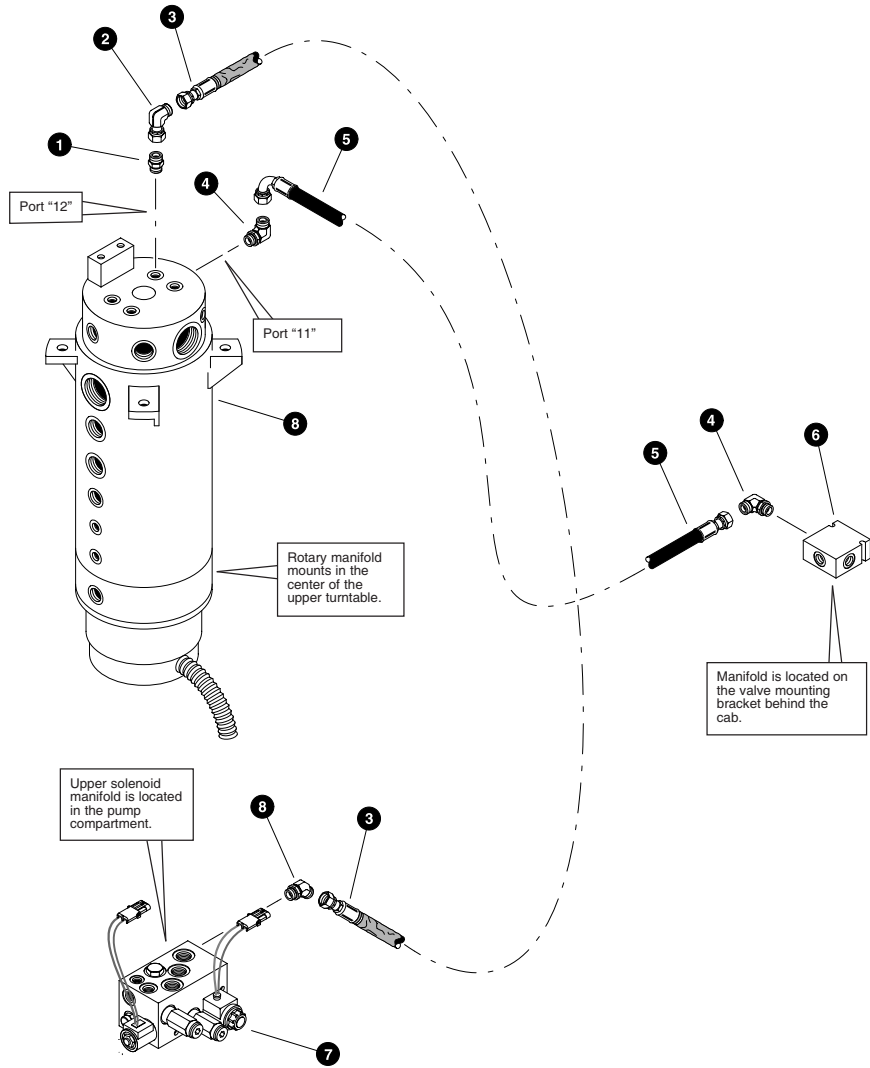


Parts T2661 04/23/2003
25,00

UPPER SOLENOID MANIFOLD RETURN LINE

REF	PART #	QTY	DESCRIPTION	SEE SECTION
1	REF.	1	UPPER SOLENOID MANIFOLD	UP-4
2	19068-UP	1	ELBOW, 45° - FF2068T-0808S	
3	15433-UP	1	TEE - FF2114T-0808S	
4	50657-UP	1	HOSE ASSEMBLY - 2046.5-08-080S-0809 (Upper solenoid manifold port "T" to return oil manifold)	
5	15372-UP	1	ELBOW, 90° - FF1868T-0812S	
6	REF.	1	HYDRAULIC TANK ASSEMBLY	UP-3

See referenced page for component or assembly breakdown.

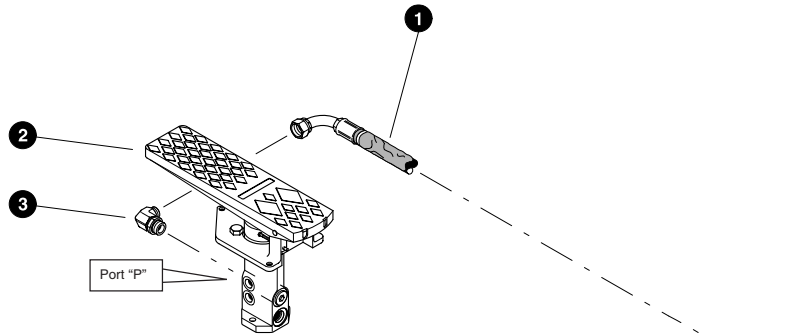


Parts 02310 07/26/2001
25.00

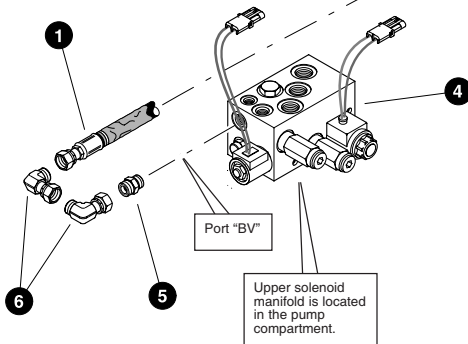
LOWER SOLENOID MANIFOLD PRESSURE & RETURN LINE (TF 820 only)

REF	PART #	QTY	DESCRIPTION	SEE SECTION
1	18034-UP	1	CONNECTOR, straight - FF1852T-0606S	
2	20035-UP	1	ELBOW, 90° swivel - FF2098T-0606S	
3	50649-UP	1	HOSE ASSEMBLY - 2062-06-060S-060S (Upper solenoid manifold port "P1" to upper rotary manifold port 12)	
4	16296-UP	2	ELBOW, 90° - FF1868T-0606S	
5	50652-UP	1	HOSE ASSEMBLY - 2065-06-060S-0609 (Upper rotary manifold port 11 to combined tank manifold)	
6	23502-UP	1	MANIFOLD, combined tank	
7	REF.	1	UPPER SOLENOID MANIFOLD	UP-4
8	23015-UP	1	ELBOW, 45° - 6V5060-S	
9	REF.	1	ROTARY MANIFOLD	UP-1

See referenced page for component or assembly breakdown.



Port "P"



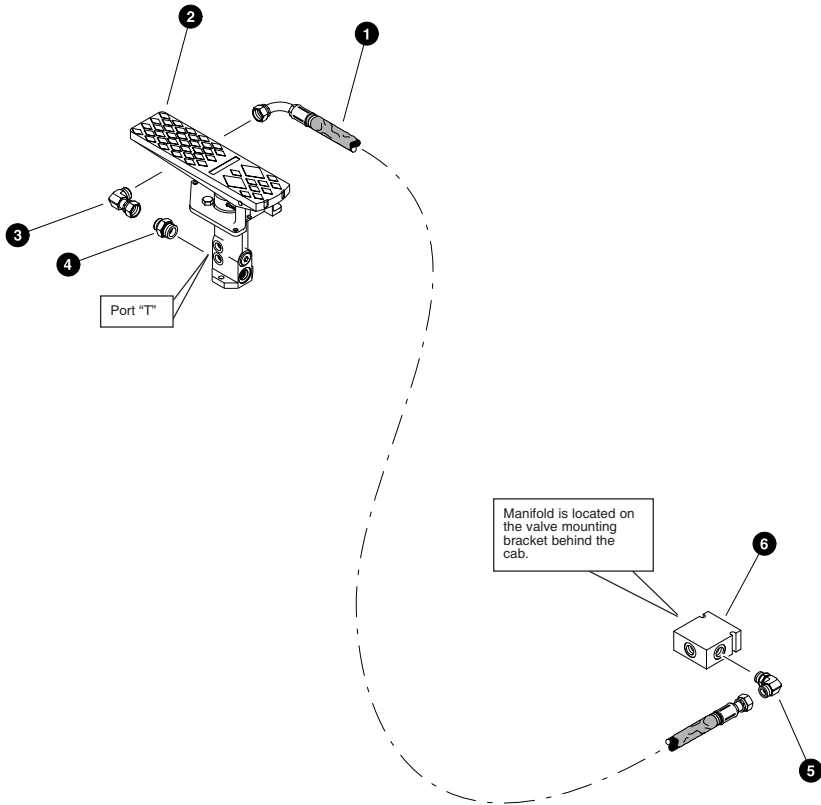
Port "BV"

Upper solenoid manifold is located in the pump compartment.

Travel Brake Lines

REF	PART #	QTY	DESCRIPTION	SEE SECTION
1	50707-UP	1	HOSE ASSEMBLY - 2136-06-06OS-06O9	
2	REF	1	TRAVEL BRAKE FOOT CONTROL	UP-4
3	16296-UP	1	ELBOW 90°- FF1868T-0406S	
4	REF	1	UPPER SOLENOID MANIFOLD	UP-4
5	18034-UP	1	CONNECTOR, straight - FF1852T-0606S	
6	20035-UP	2	ELBOW, 90° swivel - FF2098T-0606S	

See referenced page for component or assembly breakdown.

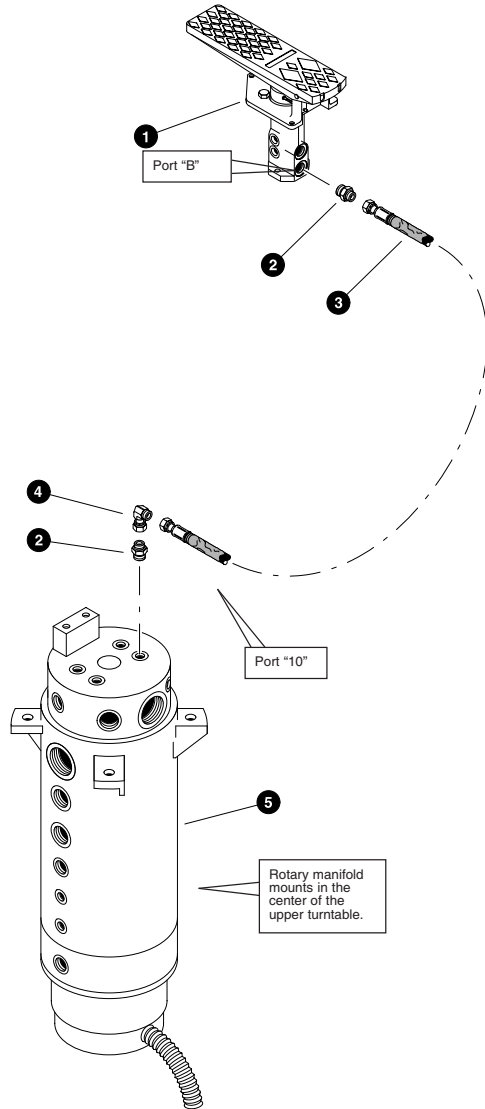


Parts 01970 01/04/2001
25.00

TRAVEL BRAKE LINES (Travel Brake Foot Control To Combine Tank Manifold)

REF	PART #	QTY	DESCRIPTION	SEE SECTION
1	51273-UP	1	HOSE ASSEMBLY - 2088-06-06OS-06O9 (<i>Travel brake foot control port "T" to combined tank manifold</i>)	
2	REF	1	TRAVEL BRAKE FOOT CONTROL	UP-4
3	20035-UP	1	ELBOW, 90° swivel - FF2098T-0606S	
4	18034-UP	1	CONNECTOR, straight - FF1852T-0406S	
5	169296-UP	1	ELBOW, 90° - FF1868T-0606S	
6	REF	1	PILOT PRESSURE MANIFOLD	UP-5-2

See referenced page for component or assembly breakdown.



Parts 01971 01/04/2001
25.00

TRAVEL BRAKE LINES (Travel Brake Foot Control To Upper Rotary Manifold)

REF	PART #	QTY	DESCRIPTION	SEE SECTION
1	REF	1	TRAVEL BRAKE FOOT CONTROL	UP-4
2	15124-UP	2	CONNECTOR, straight - FF1852T-0406S	
3	50642-UP	1	HOSE ASSEMBLY - 2049-04-04OS-04OS-W (<i>Travel brake foot control port "B" to upper rotary manifold port "10"</i>)	
4	15145-UP	1	ELBOW, 90° swivel - FF2098T-0404S	
5	REF	1	ROTARY MANIFOLD	UP-1

See referenced page for component or assembly breakdown.

Special Component Break-In Schedule		Hour Interval				
Section #	Item	100	250	500	1000	1500
1.1	Inspect (Visual) Main Bearings/Bolts (100 Hr Int. (100 Hr Int.))					
1.2	Check (Visual) Drive Shaft					
1.3	Check (Visual) Drive Shaft					
1.4	Check (Visual) Drive Shaft					
1.5	Check (Visual) Drive Shaft					
1.6	Check (Visual) Drive Shaft					
1.7	Check (Visual) Drive Shaft					
1.8	Check (Visual) Drive Shaft					
1.9	Check (Visual) Drive Shaft					
1.10	Check (Visual) Drive Shaft					
1.11	Check (Visual) Drive Shaft					
1.12	Check (Visual) Drive Shaft					
1.13	Check (Visual) Drive Shaft					
1.14	Check (Visual) Drive Shaft					
1.15	Check (Visual) Drive Shaft					
1.16	Check (Visual) Drive Shaft					
1.17	Check (Visual) Drive Shaft					
1.18	Check (Visual) Drive Shaft					
1.19	Check (Visual) Drive Shaft					
1.20	Check (Visual) Drive Shaft					
1.21	Check (Visual) Drive Shaft					
1.22	Check (Visual) Drive Shaft					
1.23	Check (Visual) Drive Shaft					
1.24	Check (Visual) Drive Shaft					
1.25	Check (Visual) Drive Shaft					
1.26	Check (Visual) Drive Shaft					
1.27	Check (Visual) Drive Shaft					
1.28	Check (Visual) Drive Shaft					
1.29	Check (Visual) Drive Shaft					
1.30	Check (Visual) Drive Shaft					
1.31	Check (Visual) Drive Shaft					
1.32	Check (Visual) Drive Shaft					
1.33	Check (Visual) Drive Shaft					
1.34	Check (Visual) Drive Shaft					
1.35	Check (Visual) Drive Shaft					
1.36	Check (Visual) Drive Shaft					
1.37	Check (Visual) Drive Shaft					
1.38	Check (Visual) Drive Shaft					
1.39	Check (Visual) Drive Shaft					
1.40	Check (Visual) Drive Shaft					
1.41	Check (Visual) Drive Shaft					
1.42	Check (Visual) Drive Shaft					
1.43	Check (Visual) Drive Shaft					
1.44	Check (Visual) Drive Shaft					
1.45	Check (Visual) Drive Shaft					
1.46	Check (Visual) Drive Shaft					
1.47	Check (Visual) Drive Shaft					
1.48	Check (Visual) Drive Shaft					
1.49	Check (Visual) Drive Shaft					
1.50	Check (Visual) Drive Shaft					
1.51	Check (Visual) Drive Shaft					
1.52	Check (Visual) Drive Shaft					
1.53	Check (Visual) Drive Shaft					
1.54	Check (Visual) Drive Shaft					
1.55	Check (Visual) Drive Shaft					
1.56	Check (Visual) Drive Shaft					
1.57	Check (Visual) Drive Shaft					
1.58	Check (Visual) Drive Shaft					
1.59	Check (Visual) Drive Shaft					
1.60	Check (Visual) Drive Shaft					
1.61	Check (Visual) Drive Shaft					
1.62	Check (Visual) Drive Shaft					
1.63	Check (Visual) Drive Shaft					
1.64	Check (Visual) Drive Shaft					
1.65	Check (Visual) Drive Shaft					
1.66	Check (Visual) Drive Shaft					
1.67	Check (Visual) Drive Shaft					
1.68	Check (Visual) Drive Shaft					
1.69	Check (Visual) Drive Shaft					
1.70	Check (Visual) Drive Shaft					
1.71	Check (Visual) Drive Shaft					
1.72	Check (Visual) Drive Shaft					
1.73	Check (Visual) Drive Shaft					
1.74	Check (Visual) Drive Shaft					
1.75	Check (Visual) Drive Shaft					
1.76	Check (Visual) Drive Shaft					
1.77	Check (Visual) Drive Shaft					
1.78	Check (Visual) Drive Shaft					
1.79	Check (Visual) Drive Shaft					
1.80	Check (Visual) Drive Shaft					
1.81	Check (Visual) Drive Shaft					
1.82	Check (Visual) Drive Shaft					
1.83	Check (Visual) Drive Shaft					
1.84	Check (Visual) Drive Shaft					
1.85	Check (Visual) Drive Shaft					
1.86	Check (Visual) Drive Shaft					
1.87	Check (Visual) Drive Shaft					
1.88	Check (Visual) Drive Shaft					
1.89	Check (Visual) Drive Shaft					
1.90	Check (Visual) Drive Shaft					
1.91	Check (Visual) Drive Shaft					
1.92	Check (Visual) Drive Shaft					
1.93	Check (Visual) Drive Shaft					
1.94	Check (Visual) Drive Shaft					
1.95	Check (Visual) Drive Shaft					
1.96	Check (Visual) Drive Shaft					
1.97	Check (Visual) Drive Shaft					
1.98	Check (Visual) Drive Shaft					
1.99	Check (Visual) Drive Shaft					
1.100	Check (Visual) Drive Shaft					

1

2

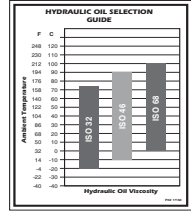
CAUTION

1. After servicing the hydraulic system on this machine, be sure all hydraulic pump and motor cases are filled to the level of the highest case drain or vent port with the same hydraulic oil used in the system.

2. If there has been a catastrophic pump or motor failure, be sure all hoses and tubelines have been flushed to remove debris.

3. Failure to do so may result in severe damage to the pumps and motors on start-up.

3



4

CAUTION

SEVERE STRUCTURAL DAMAGE CAN OCCUR IF TAPERED HUB ASSEMBLIES ARE NOT KEPT TIGHT

DO NOT tighten 1" bolt

Torque Tapered Hub Retaining Bolts to 100 lbf·ft (13.32 Nm)

THE FOLLOWING BREAK-IN PROCEDURE MUST BE PERFORMED:

1. Torque tapered hub retaining bolts after the first 2 hours of operation (2 pivots, 1 pivot (no cam level system)).
2. Torque tapered hub retaining bolts each day of operation until the tapered hub is seated (the tapered hub is seated when the retaining bolts no longer loosen with operation).
3. Torque tapered hub retaining bolts after every 50 hours of operation.
4. Visually inspect tapered hub pivots daily.

5

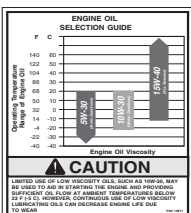
CAUTION

AIR MUST BE BLEED FROM THE HIGH PRESSURE TRACK DRIVE CIRCUIT AFTER REMOVING A COMPONENT OR HOSE.

FAILURE TO DO SO MAY CAUSE SEVERE DAMAGE TO THE TRACK DRIVE PUMPS OR MOTORS.

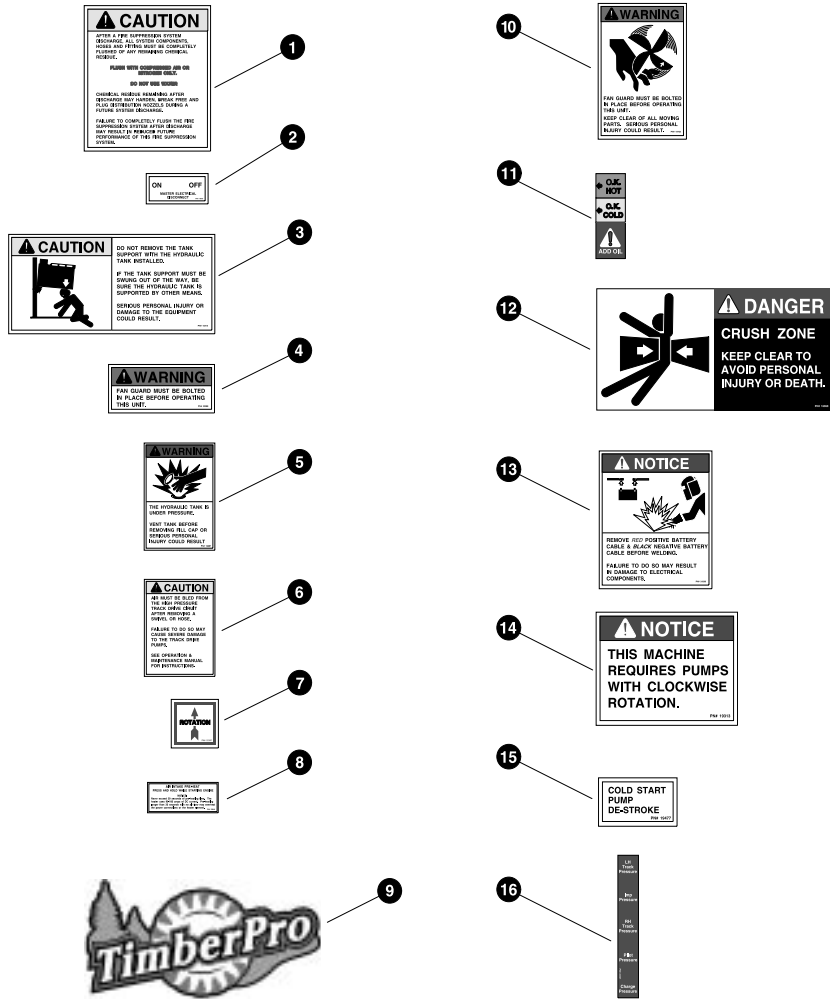
SEE OPERATION & MAINTENANCE MANUAL FOR INSTRUCTIONS.

6



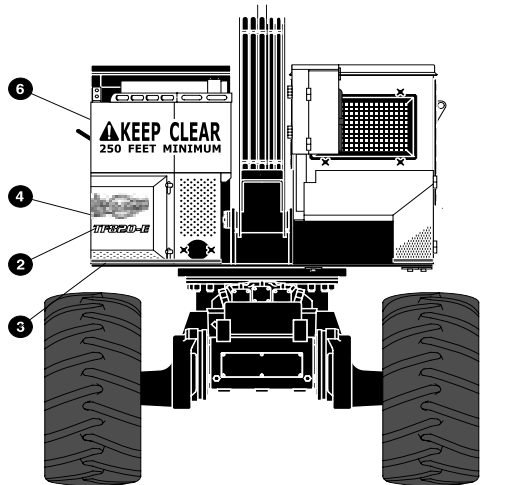
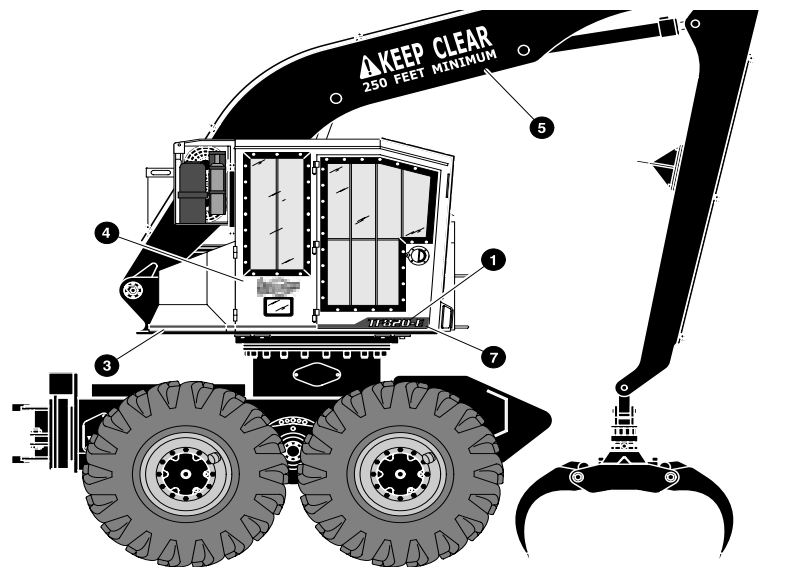
7

Special Component Break-In Schedule		Hour Interval				
Section #	Item	100	250	500	1000	1500
1.1	Inspect (Visual) Main Bearings/Bolts (100 Hr Int. (100 Hr Int.))					
1.2	Check (Visual) Drive Shaft					
1.3	Check (Visual) Drive Shaft					
1.4	Check (Visual) Drive Shaft					
1.5	Check (Visual) Drive Shaft					
1.6	Check (Visual) Drive Shaft					
1.7	Check (Visual) Drive Shaft					
1.8	Check (Visual) Drive Shaft					
1.9	Check (Visual) Drive Shaft					
1.10	Check (Visual) Drive Shaft					
1.11	Check (Visual) Drive Shaft					
1.12	Check (Visual) Drive Shaft					
1.13	Check (Visual) Drive Shaft					
1.14	Check (Visual) Drive Shaft					
1.15	Check (Visual) Drive Shaft					
1.16	Check (Visual) Drive Shaft					
1.17	Check (Visual) Drive Shaft					
1.18	Check (Visual) Drive Shaft					
1.19	Check (Visual) Drive Shaft					
1.20	Check (Visual) Drive Shaft					
1.21	Check (Visual) Drive Shaft					
1.22	Check (Visual) Drive Shaft					
1.23	Check (Visual) Drive Shaft					
1.24	Check (Visual) Drive Shaft					
1.25	Check (Visual) Drive Shaft					
1.26	Check (Visual) Drive Shaft					
1.27	Check (Visual) Drive Shaft					
1.28	Check (Visual) Drive Shaft					
1.29	Check (Visual) Drive Shaft					
1.30	Check (Visual) Drive Shaft					
1.31	Check (Visual) Drive Shaft					
1.32	Check (Visual) Drive Shaft					
1.33	Check (Visual) Drive Shaft					
1.34	Check (Visual) Drive Shaft					
1.35	Check (Visual) Drive Shaft					
1.36	Check (Visual) Drive Shaft					
1.37	Check (Visual) Drive Shaft					
1.38	Check (Visual) Drive Shaft					
1.39	Check (Visual) Drive Shaft					
1.40	Check (Visual) Drive Shaft					
1.41	Check (Visual) Drive Shaft					
1.42	Check (Visual) Drive Shaft					
1.43	Check (Visual) Drive Shaft					
1.44	Check (Visual) Drive Shaft					
1.45	Check (Visual) Drive Shaft					
1.46	Check (Visual) Drive Shaft					
1.47	Check (Visual) Drive Shaft					
1.48	Check (Visual) Drive Shaft					
1.49	Check (Visual) Drive Shaft					
1.50	Check (Visual) Drive Shaft					
1.51	Check (Visual) Drive Shaft					
1.52	Check (Visual) Drive Shaft					
1.53	Check (Visual) Drive Shaft					
1.54	Check (Visual) Drive Shaft					
1.55	Check (Visual) Drive Shaft					
1.56	Check (Visual) Drive Shaft					
1.57	Check (Visual) Drive Shaft					
1.58	Check (Visual) Drive Shaft					
1.59	Check (Visual) Drive Shaft					
1.60	Check (Visual) Drive Shaft					
1.61	Check (Visual) Drive Shaft					
1.62	Check (Visual) Drive Shaft					
1.63	Check (Visual) Drive Shaft					
1.64	Check (Visual) Drive Shaft					
1.65	Check (Visual) Drive Shaft					
1.66	Check (Visual) Drive Shaft					
1.67	Check (Visual) Drive Shaft					
1.68	Check (Visual) Drive Shaft					
1.69	Check (Visual) Drive Shaft					
1.70	Check (Visual) Drive Shaft					
1.71	Check (Visual) Drive Shaft					
1.72	Check (Visual) Drive Shaft					
1.73	Check (Visual) Drive Shaft					
1.74	Check (Visual) Drive Shaft					
1.75	Check (Visual) Drive Shaft					
1.76	Check (Visual) Drive Shaft					
1.77	Check (Visual) Drive Shaft					
1.78	Check (Visual) Drive Shaft					
1.79	Check (Visual) Drive Shaft					
1.80	Check (Visual) Drive Shaft					
1.81	Check (Visual) Drive Shaft					
1.82	Check (Visual) Drive Shaft					
1.83	Check (Visual					



DECALS
(Exterior & Misc.)

REF	PART #	QTY	DESCRIPTION	SEE SECTION
1	17575-UP	1	DECAL, fire suppression tank (On dry chemical tank) (Optional)	
2	16916-UP	1	DECAL, master disconnect (On battery box bracket)(Optional)	
3	16415-UP	1	DECAL, hydraulic tank support (Located in boom tunnel)	
4	22388-UP	2	DECAL, fan guard warning (Located in boom tunnel on radiator & located in engine swing out door on radiator)	
5	16607-UP	1	DECAL, pressurized hydraulic tank (On filter cover)	
6	18069-UP	2	DECAL, hydrostatic bleed caution (Inside pump swing out door & inside track motor housing)	
7	22387-UP	1	DECAL, engine fan rotation (Located in boom tunnel on radiator & located in engine swing out door on radiator)	
8	51424-UP	1	DECAL, Fuel Filter	
9	50694-UP	1	DECAL, TimberPro logo - 10"	
9	50695-UP	1	DECAL, TimberPro logo - 18" (On ROPS panel over engine)	
10	19765-UP	1	DECAL, keep clear of moving parts (Located in boom tunnel on radiator & located in engine swing out door on radiator)	
11	16879-UP	1	DECAL, sight gauge (Next to hydraulic tank sight glass)	
12	16060-UP	5	DECAL, crush zone (Frame sides near axles and left side cab near swing motor)	
13	24286-UP	1	DECAL, welding notice	
14	24086-UP	1	DECAL, 24 volt	
15	26007-UP	1	DECAL, central pressure check (On pressure check manifold)	



Parts 02277 06/20/2001

DECALS
(Exterior & Misc.)

REF	PART #	QTY	DESCRIPTION	SEE SECTION
1	50915-UP	1	DECAL, model # - TF820-E	
	50913-UP	1	DECAL, model # - TB620-E	
2	24494-UP	1	DECAL, model # - TB620-E	
	50067-UP	1	DECAL, model # - TF820-E	
3	50917-UP	AR	DECAL, accent strip (Black)(Approximate 25 feet is required)	
4	50695-UP	2	DECAL, Timberpro logo (On cab & on swing out pump)	
5	16059-UP	2	DECAL, keep clear (White letters)(Main boom)	
6	24499-UP	1	DECAL, keep clear (Black letters)(Hydraulic tank)	
7	50916-UP	1	DECAL, stripe flash (Black)(Cab door)	

