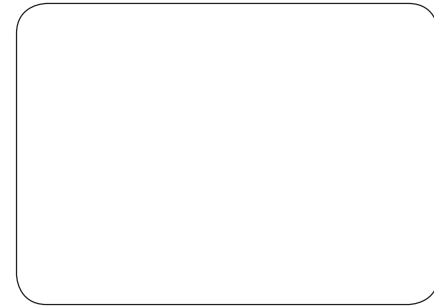
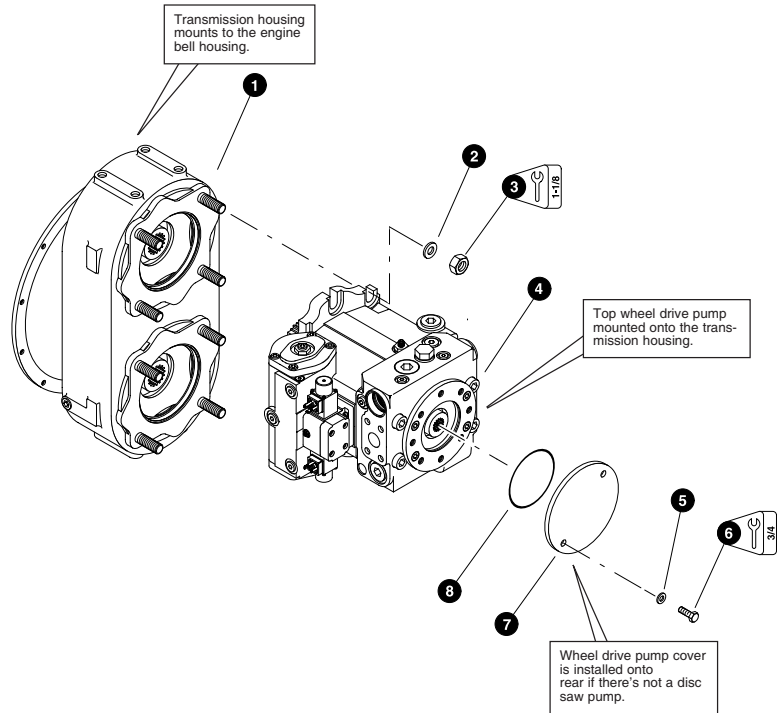


Section WD-1



Upper Turntable Wheel Drive - Hydraulic Circuits

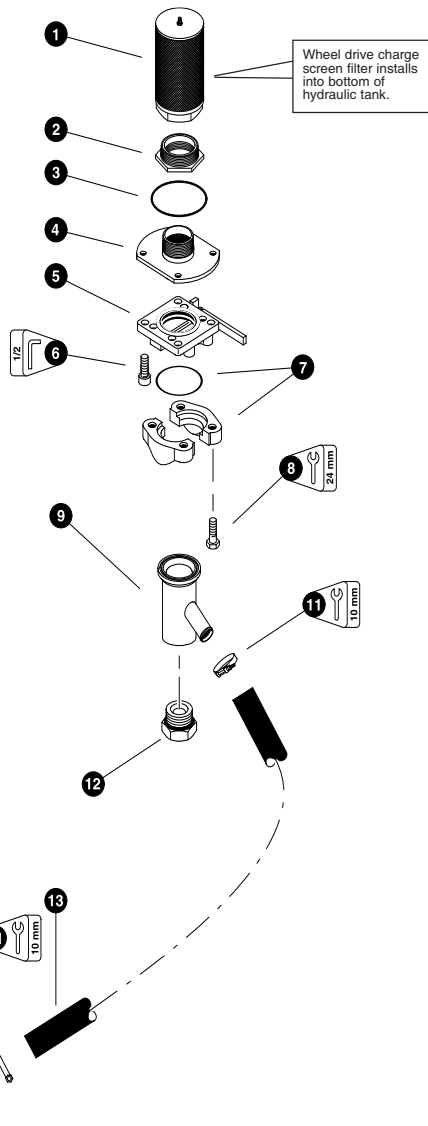


Parts T2666 04/30/2003
18,75

WHEEL DRIVE PUMP INSTALLATION

REF	PART #	QTY	DESCRIPTION	SEE SECTION
1	REF.	1	TRANSMISSION double pump drive	EE,EN,JD
2	15550-WD	4	WASHER, SAE flat - 3/4"	
3	10776-WD	4	NUT, hex - 3/4"	
4	REF.	1	WHEEL DRIVE PUMP	WD-2
5	15534-WD	4	WASHER, SAE flat - 1/2"	
6	10783-WD	2	BOLT - 1/2" x 1"	
7	18414-WD	1	COVER, thru drive	
8	15453-WD	1	O-RING	

See referenced page for component or assembly breakdown.



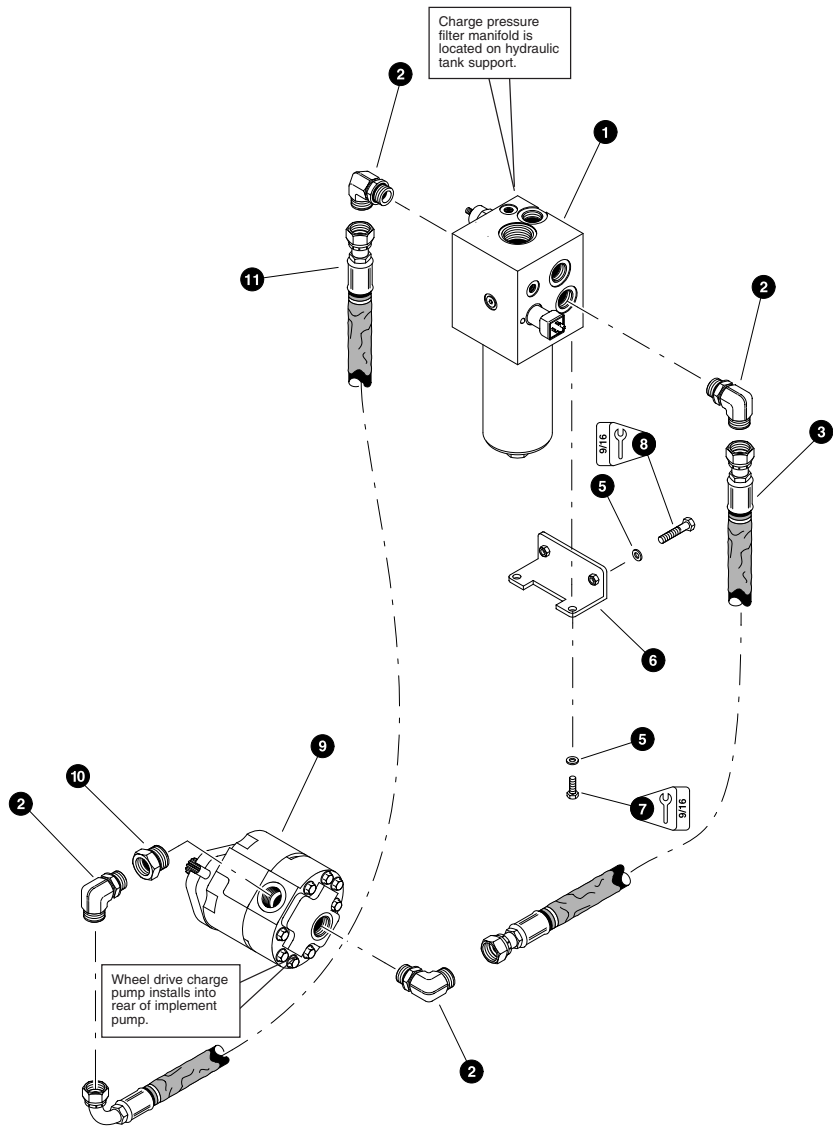
Parts T3003 05/25/2004
25,0

WHEEL DRIVE CHARGE PUMP SUCTION LINE

(machines built after 3/20/04)

REF	PART #	QTY	DESCRIPTION	SEE SECTION
1	15842-WD	1	FILTER, screen - implement suction	
2	16327-WD	1	BUSHING, black reducer - 3" x 2-1/2"	
3	15448-WD	1	O-RING	
4	REF.	1	IMPLEMENT FILTER COVER (<i>Installed from bottom</i>)	UP-3
5	22441-WD	1	VALVE, shut-off - 3" butterfly	
6	22560-WD	4	BOLT, flange - 1/2" x 2"	
7	22639-WD	1	KIT, split flange - 3" (<i>Code 61</i>)	
	18695-WD	1	O-RING - 3" SF	
8	22561-WD	4	BOLT - 16mm x 40mm	
9	42104-WD	1	TUBE, SUCTION - Y/24ORB (CHARGE/DISC)	
10	15641-WD	2	CLAMP, strap band - 2"	
11	16727-WD	1	PLUG - 6408-24	
12	51421-WD	1	HOSE ASSEMBLY - 1025.5-24-OPEN	
13	22726-WD	1	KING NIPPLE, 90 o-ring - 4601-24	
14	REF.	1	WHEEL DRIVE CHARGE PUMP	WD-2

- ☞ See referenced page for component or assembly breakdown.
- ☐ Kit or Assembly - includes all items indented underneath.

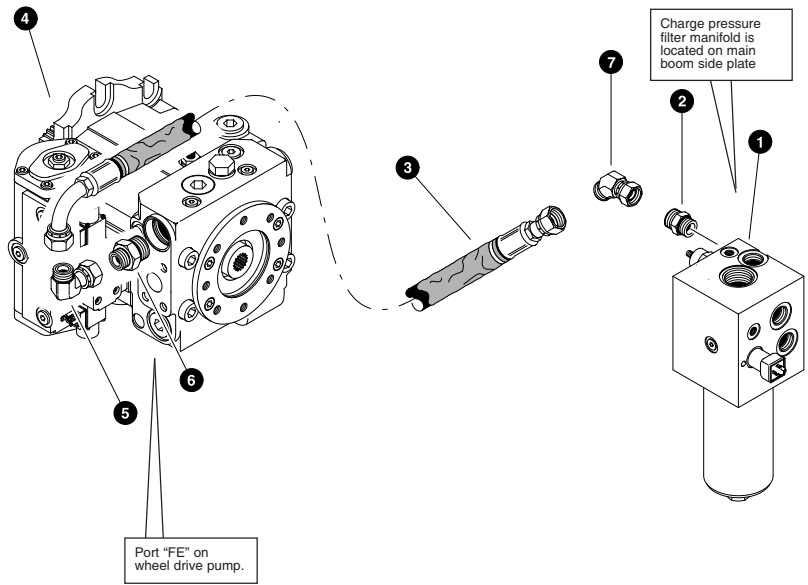


Parts T2667 05/01/2003
25,0

WHEEL DRIVE CHARGE SYSTEM PRESSURE LINES
(Charge Pump To Charge Pressure Filter Manifold)

REF	PART #	QTY	DESCRIPTION	SEE SECTION
1	REF.	1	CHARGE PRESSURE FILTER MANIFOLD	WD-3
2	17688-WD	3	ELBOW, 90° - FF1868T-1212S	
3	50668-WD	1	HOSE ASSEMBLY - 2020-12-120S-1204-W (Charge pressure filter manifold port "P1" to wheel drive charge pump case port)	
5	10804-WD	4	WASHER, flat - 3/8"	
6	80742-WD	1	BRACKET, charge pressure filter manifold mounting	
7	15542-WD	2	BOLT - 3/8 x 3/4	
8	15529-WD	2	BOLT - 3/8 x 2	
9	REF.	1	WHEEL DRIVE CHARGE PUMP	WD-2
10	17651-WD	1	BUSHING, reducer - 6410-20-12	
11	50673-WD	1	HOSE ASSEMBLY - 2034-12-120S-1209-W (Wheel drive charge pump pressure port to charge pressure filter manifold port "P")	

See referenced page for component or assembly breakdown.

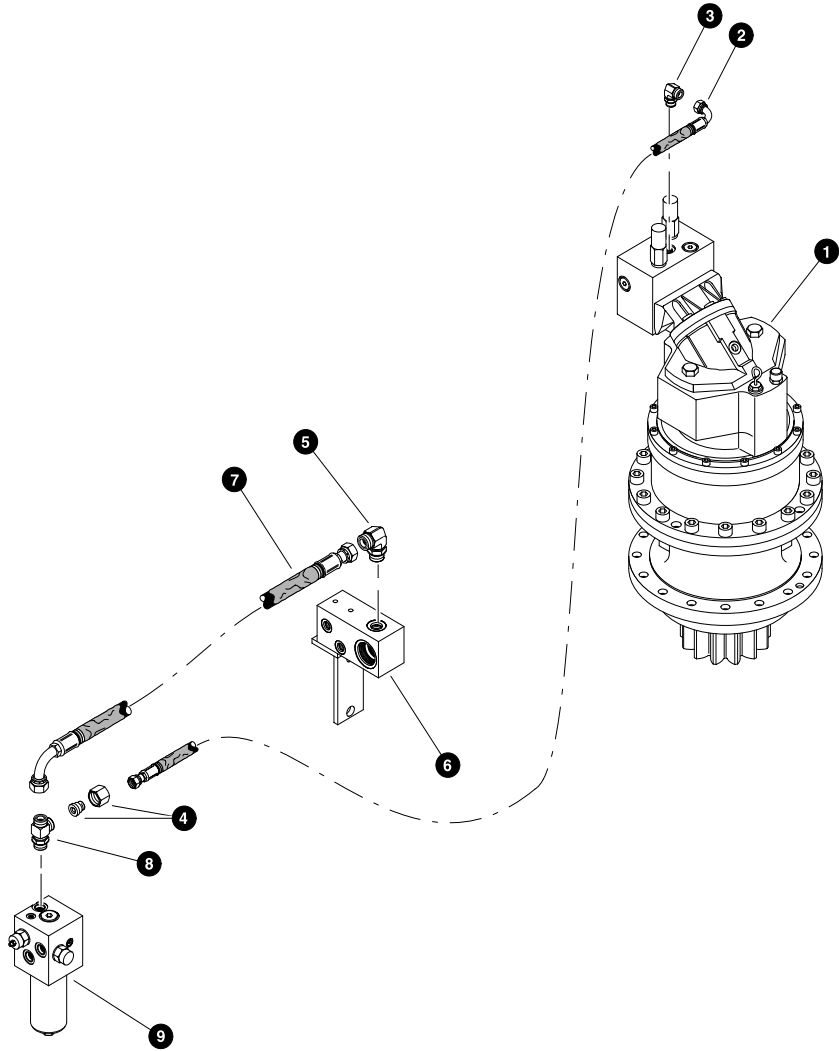


Parts T2668 05/25/2004
25.00

WHEEL DRIVE CHARGE SYSTEM PRESSURE LINES
(Charge Pressure Filter Manifold To Wheel Drive Pump)

REF	PART #	QTY	DESCRIPTION	SEE SECTION
1	REF.	1	CHARGE PRESSURE FILTER MANIFOLD	WD-3
2	17688-WD	1	ELBOW, 90° - FF1868T-1212S	
3	51419-WD	1	HOSE ASSEMBLY - 2028.5-12-120S-1209-W (Charge pressure filter manifold port "F1" to wheel drive pump port "FA")	
4	REF.	1	WHEEL DRIVE PUMP	WD-2
5	17670-WD	1	ELBOW, 90° swivel - FF2098T-1212S	
6	15226-WD	1	CONNECTOR, straight - FF1852T-1216S	

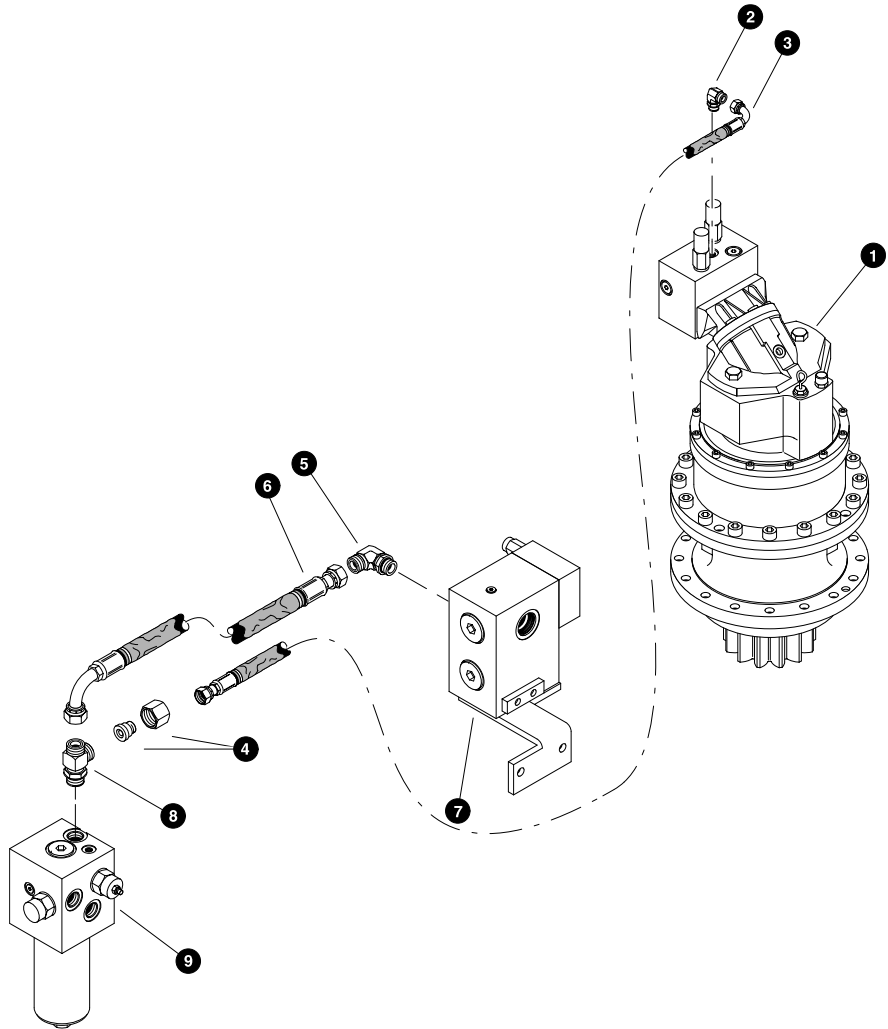
See referenced page for component or assembly breakdown.



WHEEL DRIVE CHARGE SYSTEM TANK LINE
(Charge Pressure Filter Manifold To Return Block)
(TF & TS 820 Only)

REF	PART #	QTY	DESCRIPTION	SEE SECTION
1	REF	1	SWING MOTOR	UP-2
2	-WD	1	HOSE ASSEMBLY - 2081-08-080S-0804 (charge manifold return to swing anti-cav block make-up oil port)	
3	16360-WD	1	ELBOW, 90° - FF1868T-0808S	
4	18581-WD	2	CONNECTOR, reducer - FF2281T-0812S	
5	20027-WD	1	TEE - FF1861T-1212S	
6	REF	1	HOSE TERMINATION BLOCK	LH-3
7	51420-WD	1	HOSE ASSEMBLY - 2024-12-12OS-12O9 (Wheel drive charge filter swing motor make-up oil port to tee swing hose termination block)	
8	15152-WD	2	CONNECTOR, straight - FF1852T-1212S	
9	REF	1	WHEEL DRIVE CHARGE FILTER ASSEMBLY	WD-3

See referenced page for component or assembly breakdown.

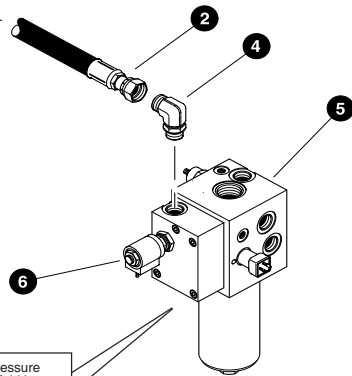
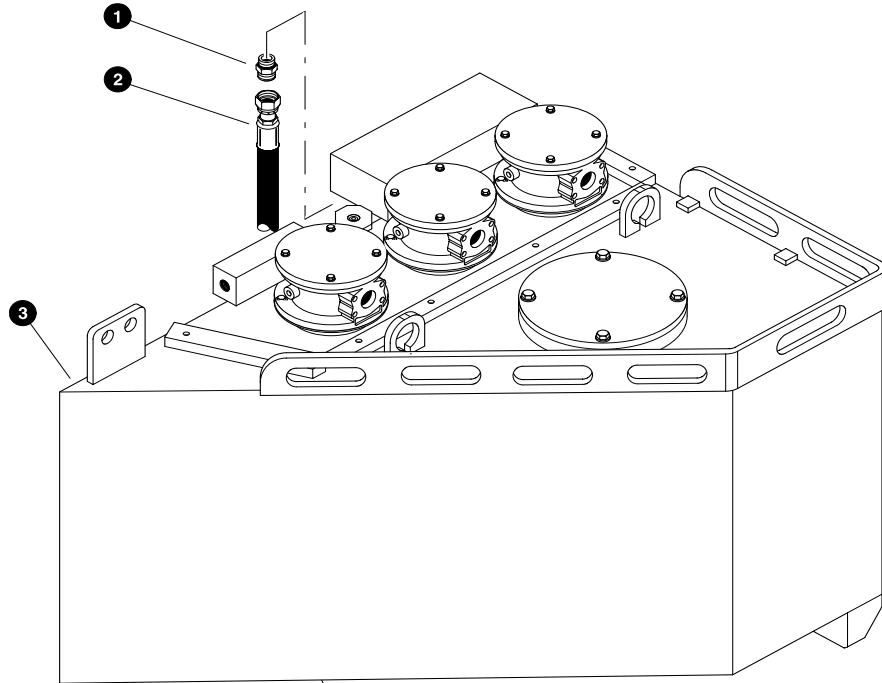


Parts 02390 09/06/2001
18.75

WHEEL DRIVE CHARGE SYSTEM PRESSURE LINE
(Charge Pressure Filter Manifold To Return Block)
(TB 620 & 820 Only)

REF	PART #	QTY	DESCRIPTION	SEE SECTION
1	REF.	1	SWING MOTOR	UP-2
2	15372-WD	1	ELBOW, 90° - FF1868T-0812S	
3	-WD	1	HOSE ASSEMBLY - 2081-08-080S-0804 (charge manifold return to swing anti-cav block make-up oil port)	
4	18581-WD	1	CONNECTOR, straight - FF2281T-0812S	
5	20027-WD	1	TEE - FF1861T-1212S	
6	50671-WD	1	HOSE ASSEMBLY -2017-12-120S-1209 (Return logic block port "X7" tee to Track drive charge filter assembly port "T1")	
7	REF.	1	RETURN LINE W-150 PSI LOGIC MANIFOLD	HH-2
8	15201-WD	1	CONNECTOR, straight - FF2031T-1212S	
9	REF.	1	WHEEL DRIVE CHARGE FILTER ASSEMBLY	WD-3

See referenced page for component or assembly breakdown.

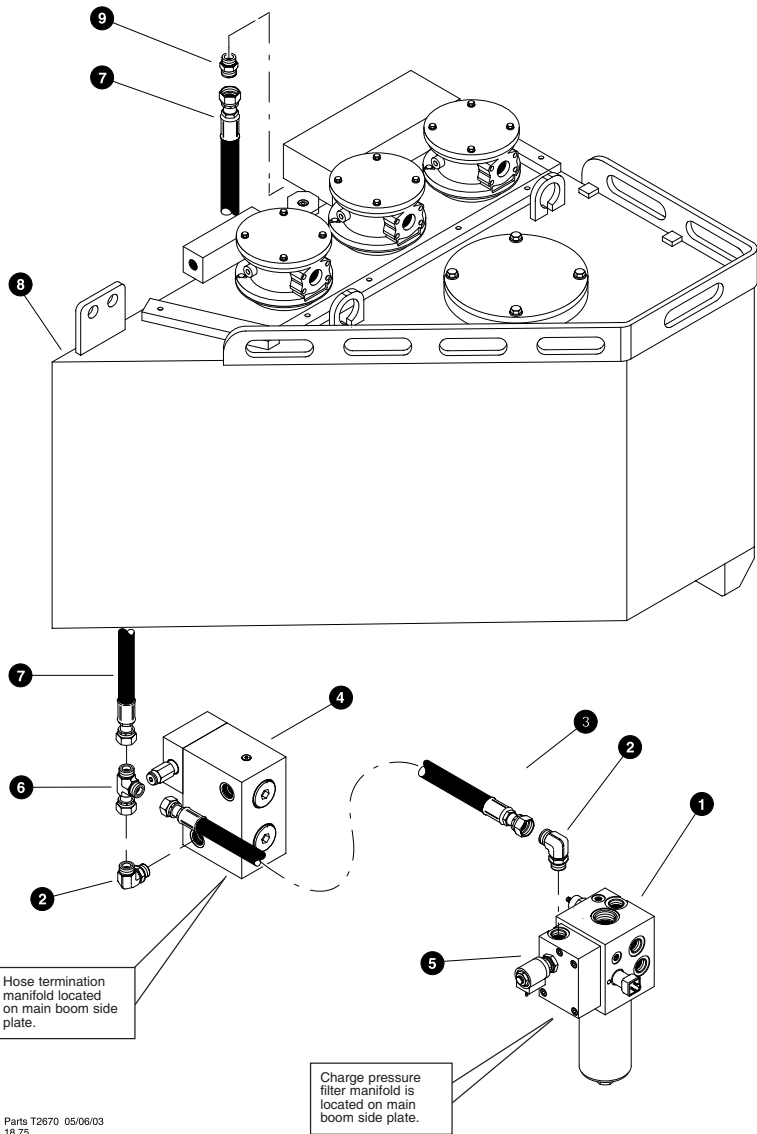


Charge pressure filter manifold is located on main boom side plate.

OPTIONAL CHARGE OIL HEATER RETURN LINE
(TF & TS 820 ONLY)

REF	PART #	QTY	DESCRIPTION	SEE SECTION
1	15152-WD	1	CONNECTOR,STR - FF1852T-1212S	
2	21672-WD	1	HOSE ASSEMBLY - 2055-12-120S-120S (Charge oil heater exhaust port to hydraulic tank)	
3	REF.	1	HYDRAULIC OIL TANK	UP-3
4	17688-WD	1	ELBOW,90 - FF1868T - 1212S	
5	REF.	1	CHARGE OIL HEATER ASSEMBLY	WD-3
6	REF.	1	TRACK DRIVE CHARGE FILTER ASSEMBLY	WD-3

See referenced page for component or assembly breakdown.

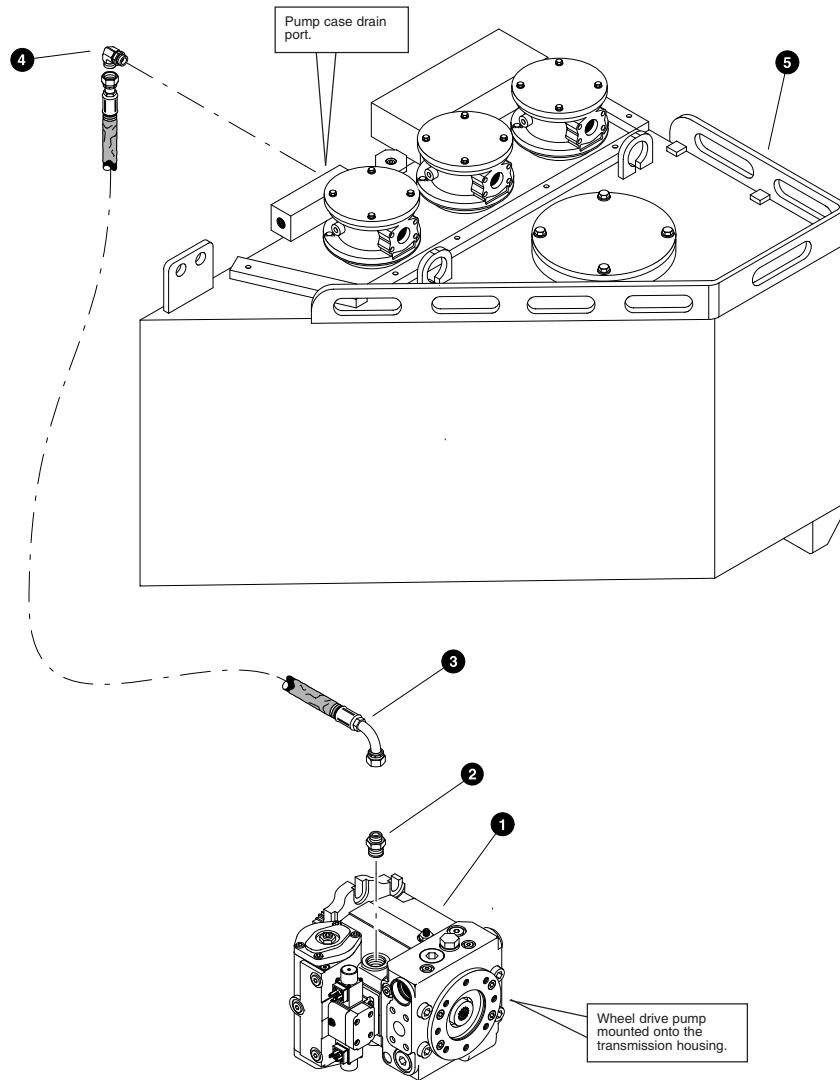


Parts T2670 05/06/03
18.75

**OPTIONAL CHARGE OIL HEATER RETURN LINE
(TB 620 & 820 ONLY)**

REF	PART #	QTY	DESCRIPTION	SEE SECTION
1	REF.	1	TRACK DRIVE CHARGE FILTER ASSEMBLY	WD-3
2	17688-WD	1	ELBOW,90 - FF1868T - 1212S	
3	23716-WD	1	HOSE ASSEMBLY 2020 - 12-12OS-120SW (charge heater exhaust port to hose termination block x7)	
4	20025-WD	1	BLOCK, HOSE TERMINATION	LH-3
5	REF.	1	CHARGE OIL HEATER ASSEMBLY	WD-3
6	17687-WD	1	TEE - 12 R6LO - S	
7	23715-WD	1	HOSE ASSEMBLY 2033 - 12OS-12OSW (hose termination block x7 to hydraulic tank)	
8	REF.	1	HYDRAULIC OIL TANK	UP-3
9	15152-WD	1	CONNECTOR,STR - FF1852T-1212S	

See referenced page for component or assembly breakdown.

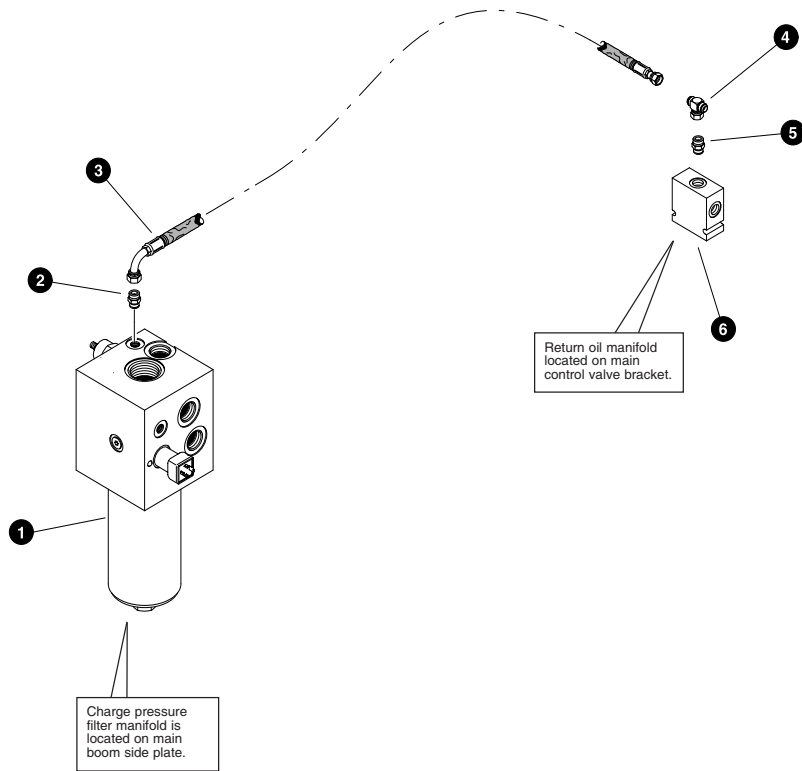


Parts 02319 08/02/2001
18,75

WHEEL DRIVE PUMP CASE DRAIN LINE

REF	PART #	QTY	DESCRIPTION	SEE SECTION
1	REF.	1	☐ WHEEL DRIVE PUMP	WD-2
2	15226-WD	1	CONNECTOR, straight - FF1852T-1612S	
3	51418-WD	1	HOSE ASSEMBLY - 2044.5-12-120S-1209 (Wheel drive pump case drain port to return oil manifold)	
4	15228-WD	1	ELBOW, 90° - FF1868T-1616S	
5	REF.	1	HYDRAULIC TANK	UP-3

☐ See referenced page for component or assembly breakdown.

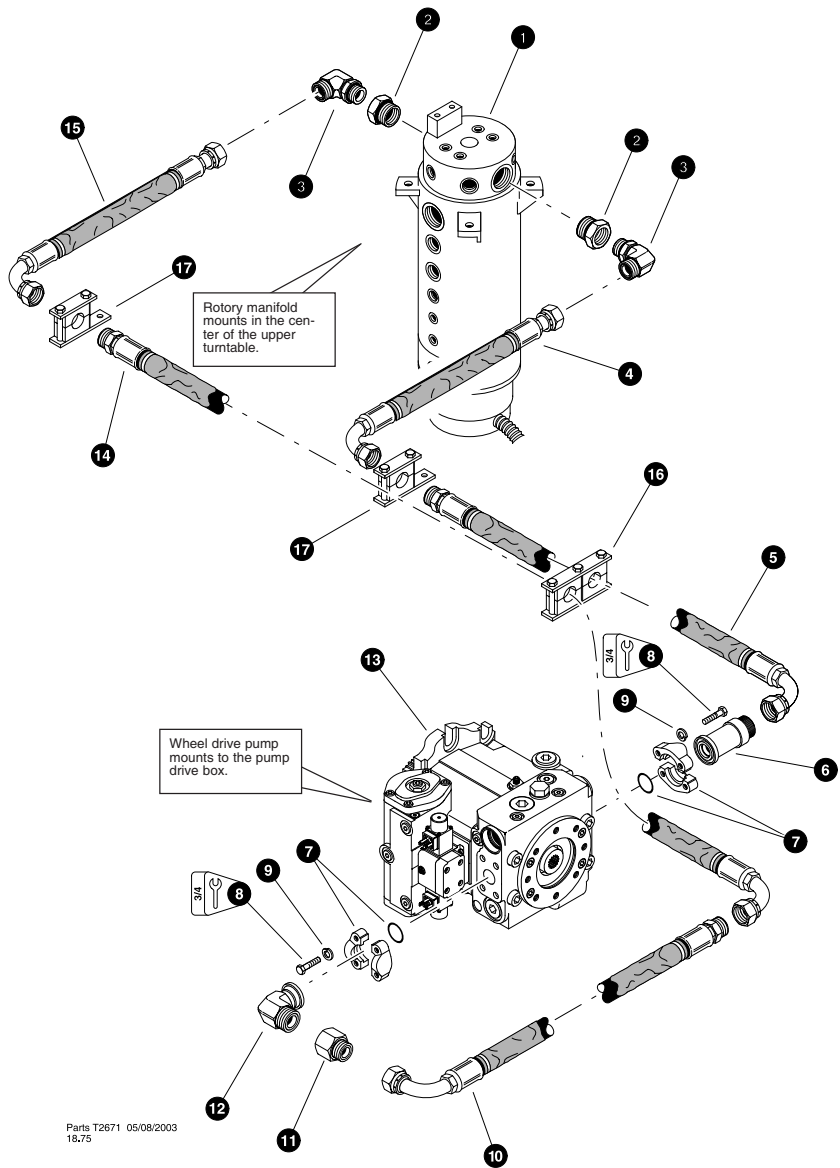


Parts 02320 05/25/2004
25.00

CHARGE PRESSURE FILTER MANIFOLD CASE DRAIN LINE

REF	PART #	QTY	DESCRIPTION	SEE SECTION
1	REF.	1	CHARGE PRESSURE FILTER MANIFOLD	WD-3
2	16541-WD	1	CONNECTOR, straight - FF1852T-0404S	
3	50645-WD	1	HOSE ASSEMBLY - 2070-04-040S-0409 (Charge pressure filter manifold port "DR" to return oil manifold)	
4	23541-WD	1	TEE - 4 S6LO-S	
5	15124-WD	1	CONNECTOR, STR - FF1852T-0406S	
6	REF.	1	PILOT PRESSURE MANIFOLD	UP-4

See referenced page for component or assembly breakdown.

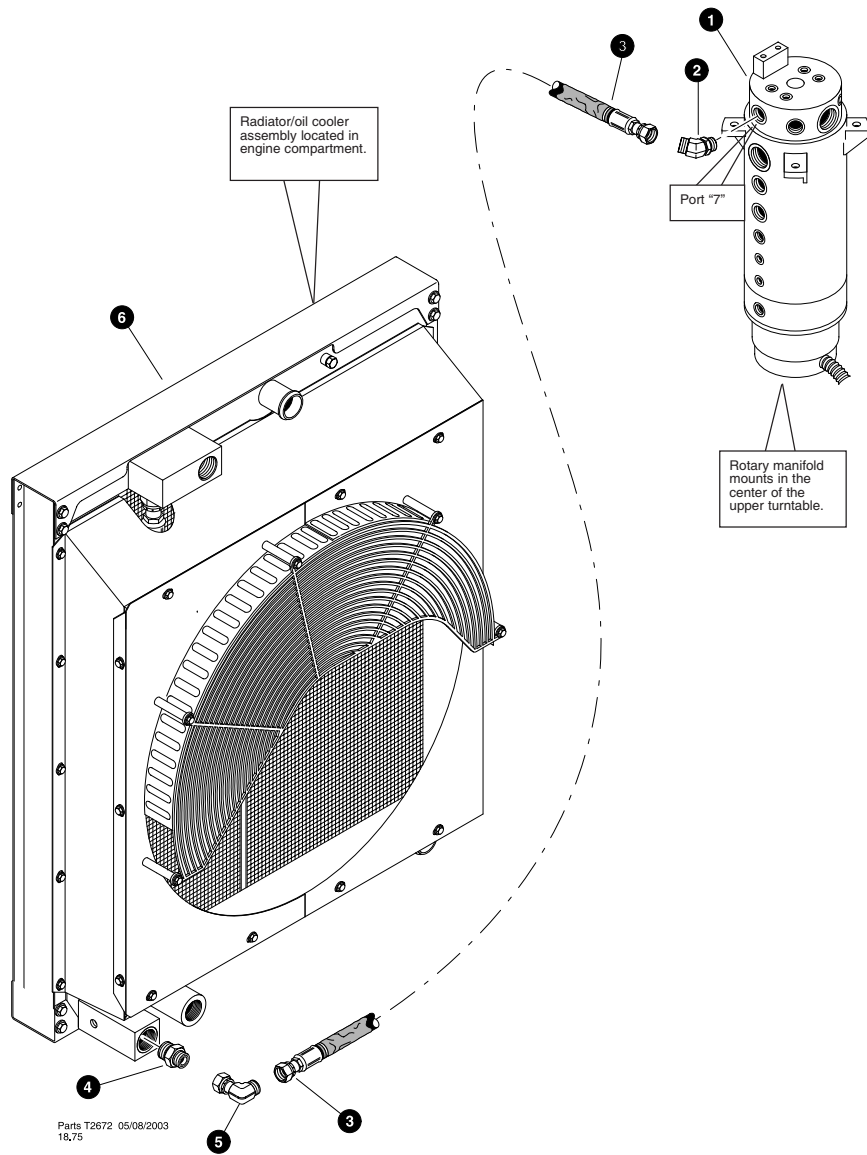


Parts T2671 05/08/2003
18,75

WHEEL DRIVE PUMP PRESSURE LINES
(Wheel Drive Pump To Upper Rotary Manifold Ports)

REF	PART #	QTY	DESCRIPTION	SEE SECTION
1	REF.	1	ROTARY MANIFOLD	UP-1
2	17015-WD	2	BUSHING, reducer - 6410-20-16	
3	15228-WD	2	ELBOW, 90° - FF1868T-1616S	
4	50681-WD	1	HOSE ASSEMBLY - 6016.5-16-160S-1609 (Wheel drive pump pressure port "B" to rotary manifold upper port "1")	
5	50685-WD	1	HOSE ASSEMBLY - 6038.5-16-16MS-1609 (Wheel drive pump pressure port "B" to rotary manifold upper port "1")	
6	19513-WD	1	ADAPTER, str flange - 635F-16MOX20 (Code 62)	
7	15114-WD	2	KIT, split flange - 1-1/4" (Code 62)	
	15378-WD	2	O-RING - 1-1/4" SF	
8	18933-WD	8	BOLT - 1/2" x 1-3/4"	
9	10710-WD	8	WASHER, lock - 1/2"	
10	50683-WD	1	HOSE ASSEMBLY - 6017.5-16-16MS-1609 (Wheel drive pump pressure port "A" to rotary manifold upper port "1")	
11	20455-WD	1	CONNECTOR, reducer - ORS FF2281T - 1620S	
12	21314-WD	1	ADAPTER, 90° flange - 20 LOEQ2-S (Code 62)	
13	REF.	1	WHEEL DRIVE PUMP	WD-2
14	50684-WD	1	HOSE ASSEMBLY - 6049-16-16MS-1609 (Wheel drive pump pressure port "A" to rotary manifold upper port "1")	
15	50682-WD	1	HOSE ASSEMBLY - 6019.5-16-160S-1609 (Wheel drive pump pressure port "A" to rotary manifold upper port "1")	
16	12270-WD	1	CLAMP, VERMATIC (15-SB-2-R-1.5)	
17	50414-WD	2	CLAMP, VERMATIC - DRIVELINE (SINGLE)	

See referenced page for component or assembly breakdown.
 Kit or Assembly - includes all items indented underneath.

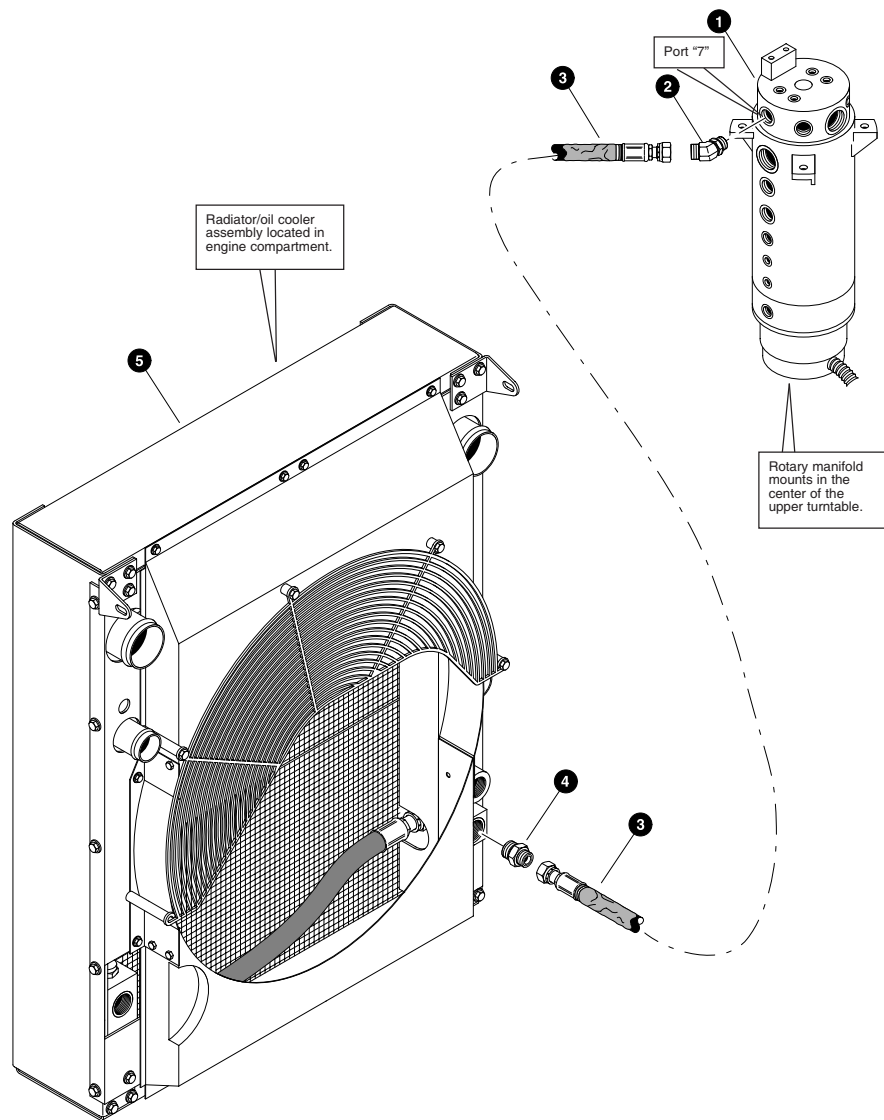


Parts T2672 05/08/2003
18,75

WHEEL DRIVE MOTOR CASE DRAIN LINE
(Upper Rotary Manifold Ports To Radiator/Oil Cooler)
(High Cool Radiator)

REF	PART #	QTY	DESCRIPTION	SEE SECTION
1	REF.	1	ROTARY MANIFOLD	UP-1
2	19127-WD	1	ELBOW, 45 - FF2068T-1212S	
3	50797-WD	1	HOSE ASSEMBLY - 2052-12-120S-120S(Rotary manifold upper port "7" to radiator/oil cooler)	
4	15226-WD	1	CONNECTOR, straight - FF1852T-1216S	
5	17670-WD	1	ELBOW, 90 SWIVEL - FF2098T-1212S	
6	REF.	1	RADIATOR/OIL COOLER ASSEMBLY	EN-1

See referenced page for component or assembly breakdown.

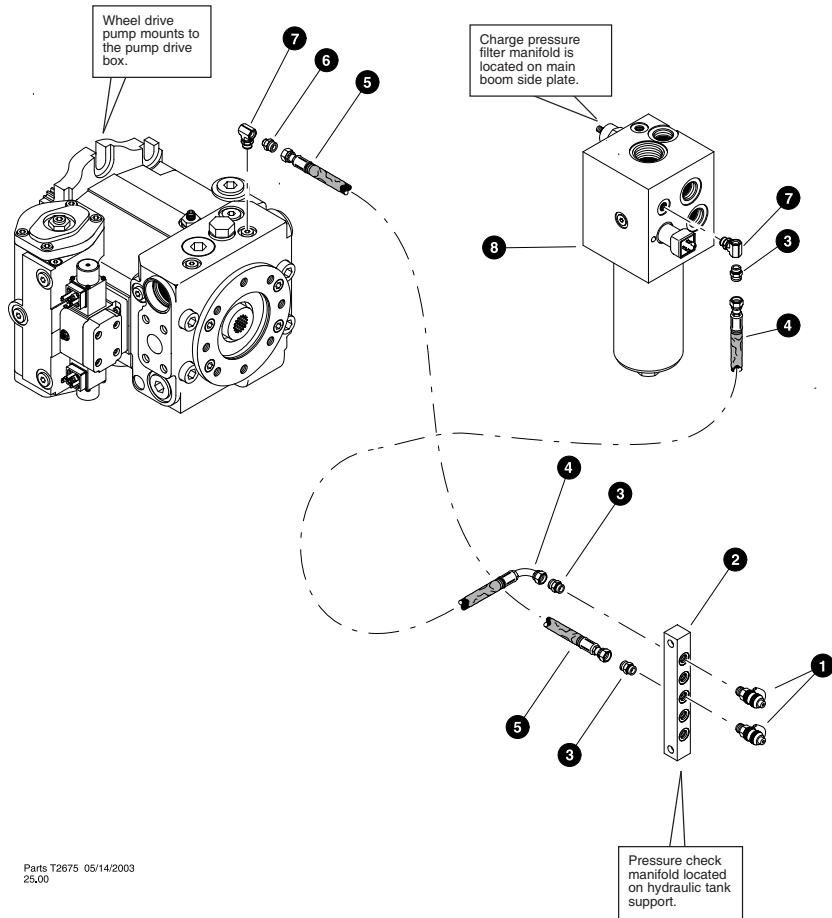


Parts T2674 05/14/2003
18.75

WHEEL DRIVE MOTOR CASE DRAIN LINE
(Upper Rotary Manifold Ports To Radiator/Oil Cooler)
(Charge Air Radiator)

REF	PART #	QTY	DESCRIPTION	SEE SECTION
1	REF.	1	ROTARY MANIFOLD	UP-1
2	19127-WD	1	ELBOW, 45° - FF-2068-T	
3	24120-WD	1	HOSE ASSEMBLY - 2031-12-120S-120S-W (Rotary manifold upper port "7" to radiator/oil cooler)	
4	15226-WD	1	CONNECTOR, straight - FF1852T-1216S	
5	REF.	1	RADIATOR/OIL COOLER ASSEMBLY	EE,JD-1

See referenced page for component or assembly breakdown.

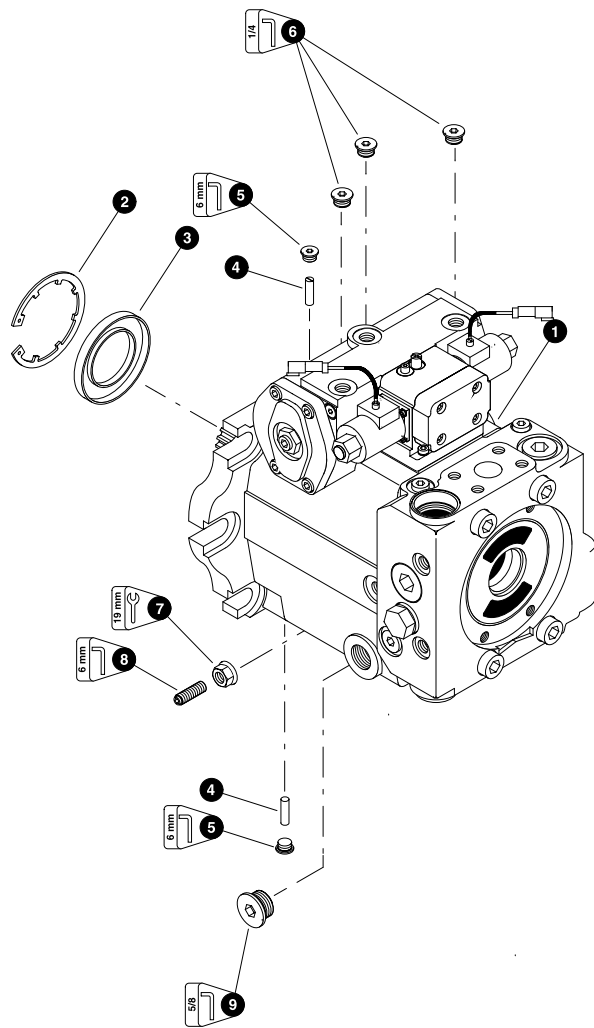


Parts T2675 05/14/2003
25.00

WHEEL DRIVE PRESSURE GAUGE LINES

REF	PART #	QTY	DESCRIPTION	SEE SECTION
1	16037-WD	1	TAP, gauge port (1/4" ORB)	
2	REF.	1	Ⓛ PRESSURE CHECK MANIFOLD	UP-4
3	16541-WD	2	CONNECTOR, straight - FF1852T-0404S	
4	50647-WD	1	HOSE ASSEMBLY - 4024-04-040S-040S-W (Wheel drive pump gauge port to pressure check manifold)	
5	50639-WD	1	HOSE ASSEMBLY - 2020-04-040S-0409-W (Charge pressure filter manifold tee to pressure check manifold)	
6	16541-WD	1	CONNECTOR, straight - FF1852T-0404S	
7	24293-WD	1	TEE - 4 - 6565JAO-5	
8	REF.	1	Ⓛ CHARGE PRESSURE FILTER MANIFOLD	WD-3

Ⓛ See referenced page for component or assembly breakdown.



Parts T2676 05/15/2003
37.50

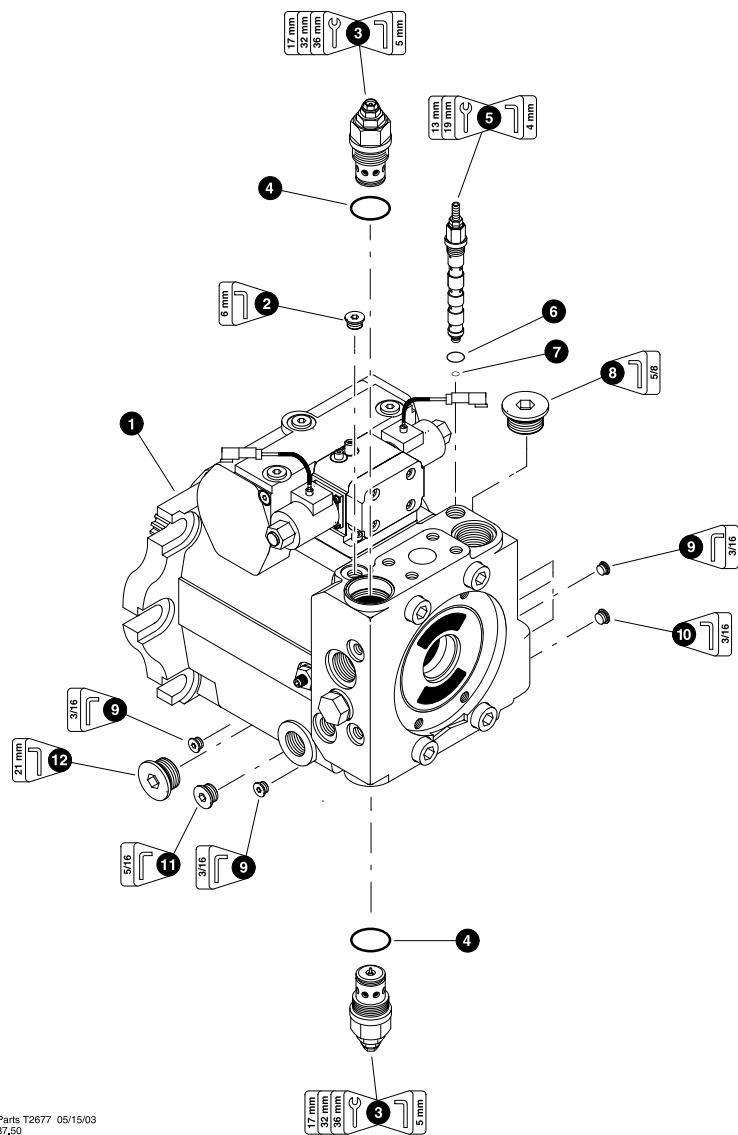
WHEEL DRIVE PUMP - REXROTH AA4VG125
(Forward Cast Housing Components)

REF	PART #	QTY		DESCRIPTION	SEE SECTION
1	23612-WD	1	□	PUMP, wheel drive - Rexroth AA4VG125 - 24V	
2	20315-WD	1		RING, snap	
3	19353-WD	1	⊗	SEAL, shaft	
4	20318-WD	2		PIN, cradle	
5	20317-WD	2	⊗	PLUG - 12mm-1.5P	
6	15412-WD	4	□	PLUG - 6408-HHP-6	
	20320-WD	1	⊗	O-RING, ORB - #6	
7	20329-WD	1	⊗	NUT, seal - 12mm-1.5P	
8	20327-WD	1		PIN, threaded - 12mm-1.5P	
9	19847-WD	1	□	PLUG - 6408-HHP-16	
	20324-WD	1	⊗	O-RING, ORB - #16	
-	19356-WD	1		KIT, seal repair - complete AA4VG125 pump	

- Kit or Assembly - includes all items indented underneath.
- ⊗ Included in seal repair kit Part # 19356-WD.

Note:

Due to warranty policy restrictions imposed by Timbco's component suppliers, it is not recommended that the component be disassembled further than is shown in the illustration.



Parts T2677 05/15/03
37,50

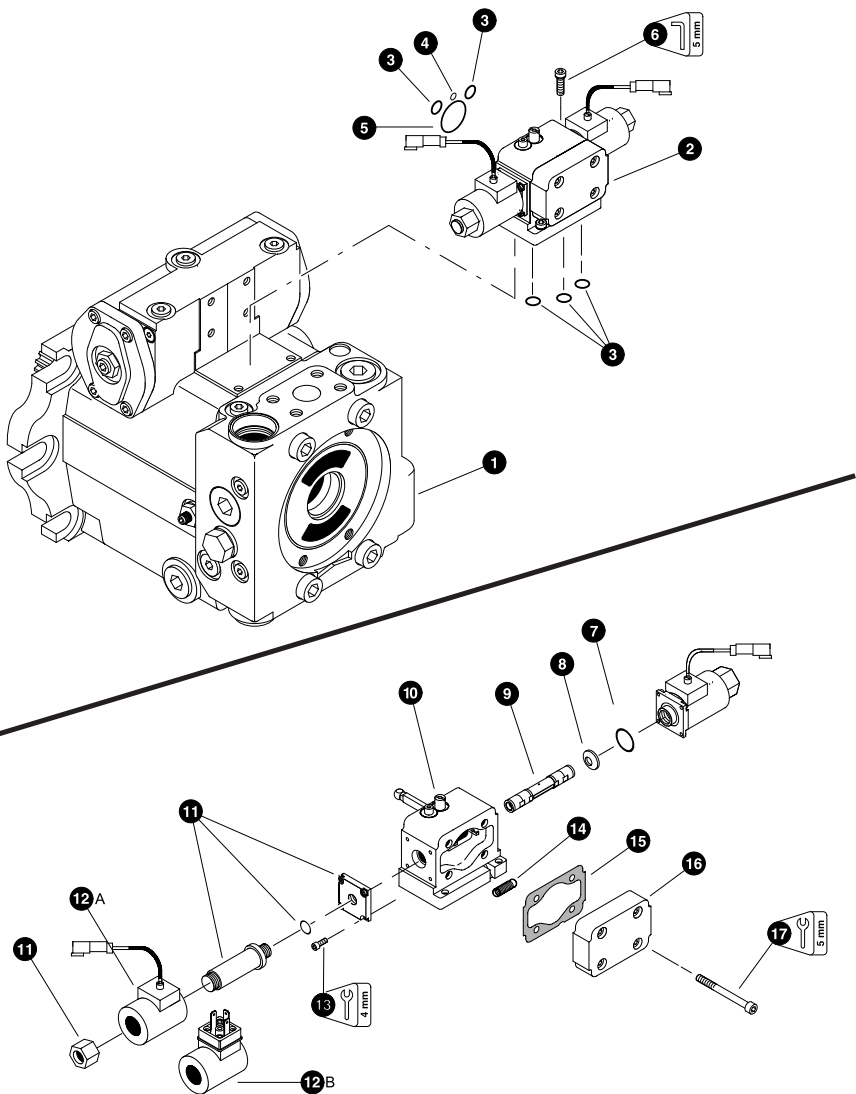
**WHEEL DRIVE PUMP - REXROTH AA4VG125
(Rear Port Block Components)**

REF	PART #	QTY	DESCRIPTION	SEE SECTION
1	REF.	1	☐ WHEEL DRIVE PUMP - Rexroth AA4VG125	WD-2
2	20317-WD	1	☒ PLUG - 12mm-1.5P	
3	20330-WD	2	☐ CARTRIDGE, high pressure relief valve	
	20331-WD	1	☒ NUT, seal - 10mm-1.0P	
4	20332-WD	1	☒ O-RING, HPRV cartridge	
5	20254-WD	1	☐ CARTRIDGE, POR relief valve	
6	20337-WD	1	☒ O-RING, POR relief valve - body	
7	20338-WD	1	☒ O-RING, POR relief valve - chamber	
8	19847-WD	1	☐ PLUG - 6408-HHP-16	
	20324-WD	1	☒ O-RING, ORB - #16	
9	20339-WD	4	☒ PLUG - 8mm-1.0P	
10	11383-WD	2	☐ PLUG - 6408-HHP-4	
	20319-WD	1	☒ O-RING, ORB - #4	
11	19271-WD	2	☐ PLUG - 6408-HHP-10	
	20322-WD	1	☒ O-RING, ORB - #10	
12	20333-WD	1	☐ PLUG - 42mm-2.0P	
	20334-WD	1	☒ O-RING, ORB - 42mm-2.0P	
-	19356-WD	1	☒ KIT, seal repair - complete AA4VG125 pump	

- ☐ See referenced page for component breakdown.
- ☐ Kit or Assembly - includes all items indented underneath.
- ☒ Included in seal repair kit Part # 19356-WD.

Note:

Due to warranty policy restrictions imposed by Timbco's component suppliers, it is not recommended that the component be disassembled further than is shown in the illustration.

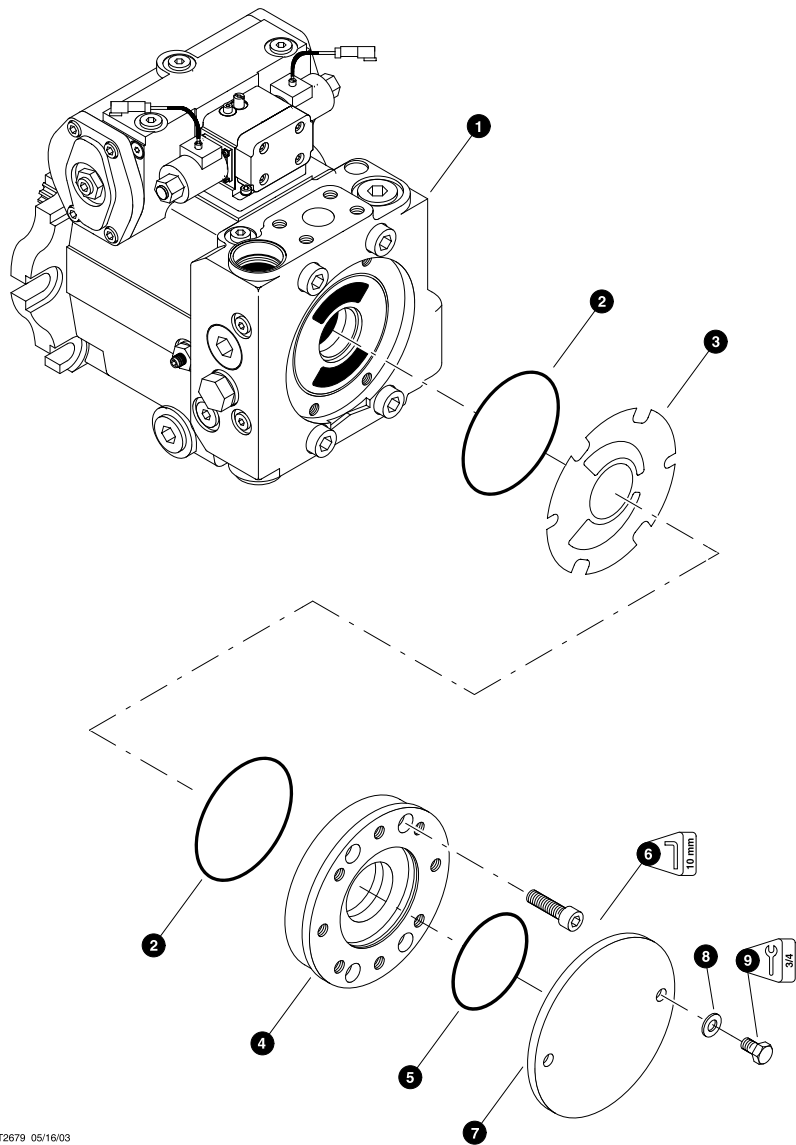


Parts T2678 05/16/03
37,50

**WHEEL DRIVE PUMP - REXROTH AA4VG125
(Stroke Control Assembly)**

REF	PART #	QTY	DESCRIPTION	SEE SECTION
1	REF.	1	☐ WHEEL DRIVE PUMP - Rexroth AA4VG125	WD-2
2	50935-WD	1	☐ VALVE, stroke control - 24V current	
3	20342-WD	5	⊗ O-RING, stroke control	
4	20343-WD	1	⊗ O-RING, stroke control	
5	20344-WD	1	⊗ O-RING, stroke control	
6	20345-WD	2	BOLT, allen head - 6mm x 20mm	
7	-	2	⊗ O-RING, (09083764)	
8	-	2	SPRING, CUP (02601640)	
9	NSS	1	SPOOL,	
10	-	1	MODULE, stroke control - (02046894)	
11	-	2	COIL STEM, assembly (02046037)	
12a	50465-WD	2	COIL, solenoid - 24V	
12b	50043-WD	2	COIL, solenoid - (hershman style connector 24v) (old style)	
13	-	8	BOLT, allen head - 4mm (09083183)	
14	-	1	SPRING, stroke centering (02063327)	
15	-	1	⊗ GASKET, (09651478)	
16	-	1	COVER, (09443201)	
17	-	4	BOLT, allen head - 6mm (09085831)	
-	19356-WD	1	KIT, seal repair - complete AA4VG125 pump	

- ☐ See referenced page for component breakdown.
- ☐ Kit or Assembly - includes all items indented underneath.
- ⊗ Included in seal repair kit Part # 19356-WD



Parts T2679 05/16/03
37,50

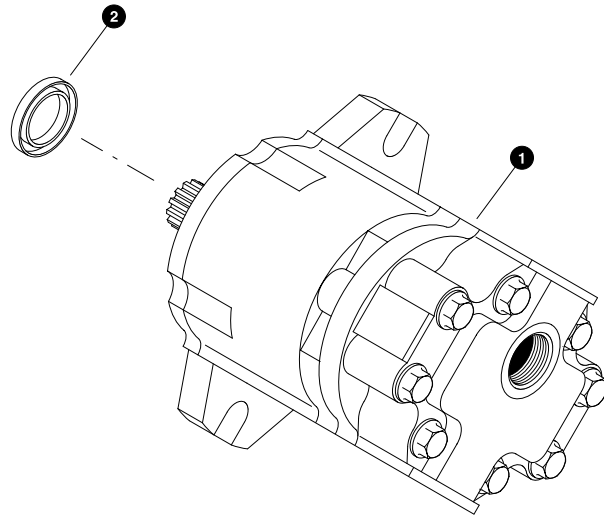
**WHEEL DRIVE PUMP - REXROTH AA4VG125
(Thru Drive Components)**

REF	PART #	QTY	DESCRIPTION	SEE SECTION
1	REF.	1	WHEEL DRIVE PUMP - Rexroth AA4VG125	WD-2
-	----	1	THRU DRIVE ASSEMBLY (No gear charge pump)	
2	20368-WD	2	O-RING, thru drive wear plate	
3	20369-WD	1	PLATE, wear	
4	NSS	1	HOUSING	
5	21624-WD	1	O-RING, thru drive pilot (SAE "B")	
6	18954-WD	4	BOLT, allen head - 12mm-1.75P x 40mm	
7	18414	1	COUPLING, thru drive	
8	18040	1	WASHER, flat - .5"	
9	10783	1	BOLT - .5" X 1"	
-	19356-WD	1	KIT, seal repair - complete AA4VG125 pump	

- See referenced page for component breakdown.
- Kit or Assembly - includes all items indented underneath.
- Included in seal repair kit Part # 19356-WD.


Note:


Due to warranty policy restrictions imposed by Timbco's component suppliers, it is not recommended that the component be disassembled further than is shown in the illustration.

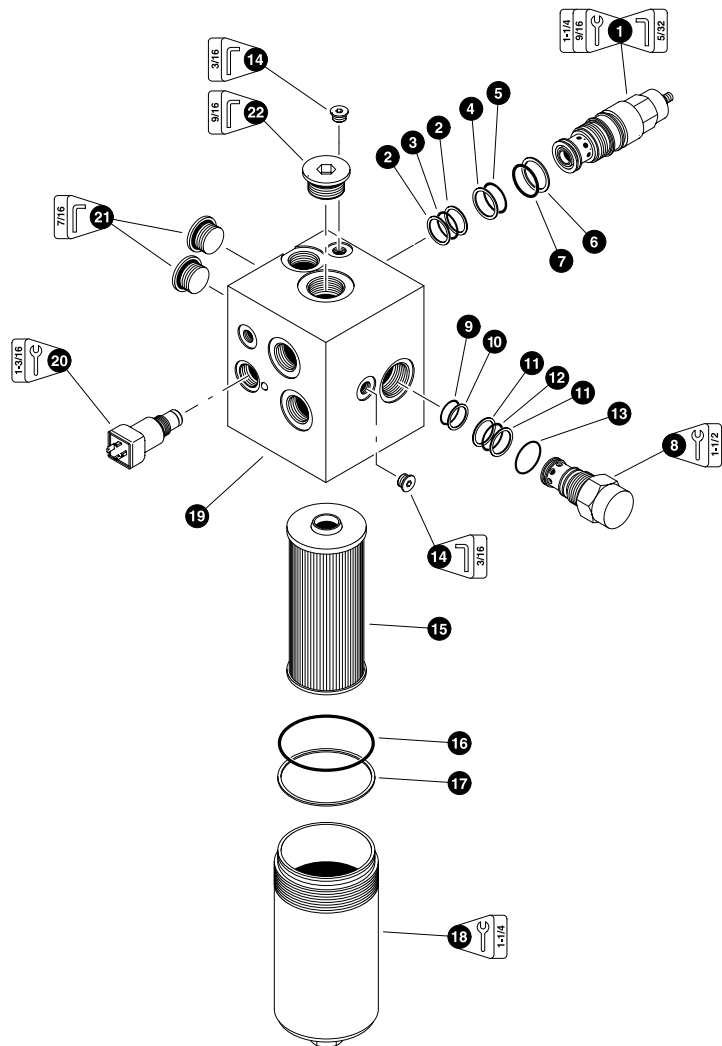


Parts 00996 12/14/2000
50.00

WHEEL DRIVE SYSTEM CHARGE PUMP

REF	PART #	QTY	DESCRIPTION	SEE SECTION
1	19822-WD	1	 PUMP, charge system	
2	21618-WD	1	SEAL, shaft	

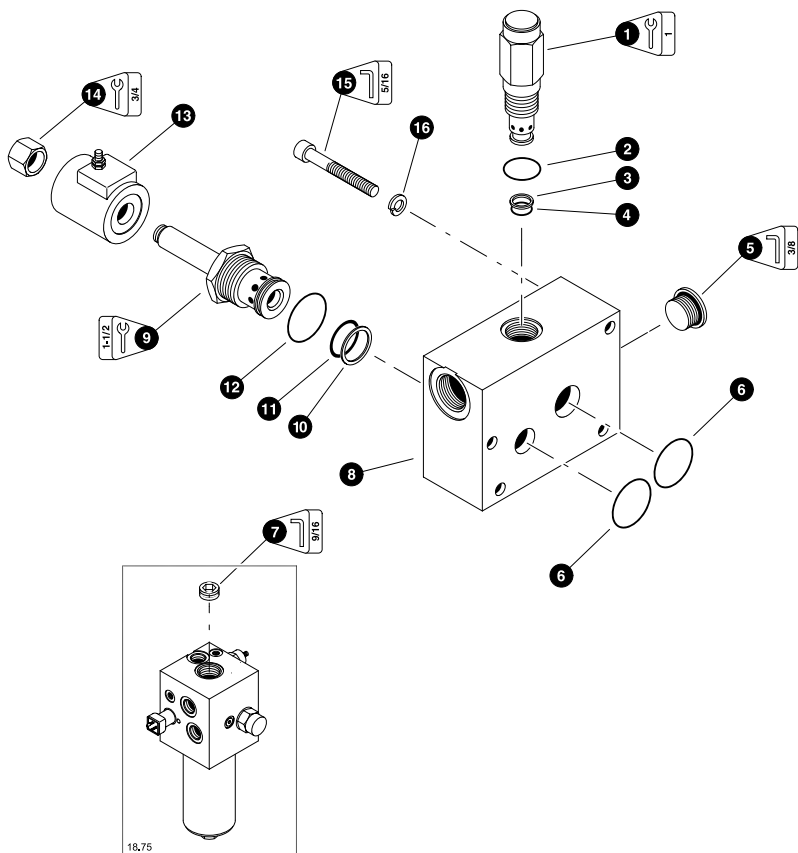
 Kit or Assembly - includes all items indented underneath.



WHEEL DRIVE CHARGE PRESSURE FILTER MANIFOLD

REF	PART #	QTY	DESCRIPTION	SEE SECTION
-	19821-WD	1	<input type="checkbox"/> FILTER/MANIFOLD, charge	
1	17812-WD	1	<input type="checkbox"/> CARTRIDGE, relief	
2	NSS	2	<input type="checkbox"/> RING, back-up - chamber	
3	NSS	1	<input type="checkbox"/> O-RING - chamber	
4	NSS	1	<input type="checkbox"/> RING, back-up - chamber	
5	NSS	1	<input type="checkbox"/> O-RING - chamber	
6	NSS	1	<input type="checkbox"/> RING, back-up - body	
7	NSS	1	<input type="checkbox"/> O-RING - body	
8	19876-WD	1	<input type="checkbox"/> CARTRIDGE, check	
9	NSS	1	<input type="checkbox"/> O-RING - chamber	
10	NSS	1	<input type="checkbox"/> RING, back-up - chamber	
11	NSS	2	<input type="checkbox"/> RING, back-up - chamber	
12	NSS	1	<input type="checkbox"/> O-RING - chamber	
13	NSS	1	<input type="checkbox"/> O-RING - body	
14	11383-WD	1	PLUG - 6408-HHP-4	
15	19861-WD	1	ELEMENT, hydrostatic charge filter	
16	19862-WD	1	RING, back-up - canister	
17	19863-WD	1	O-RING, canister	
18	19864-WD	1	CANISTER	
19	NSS	1	BODY	
20	17675-WD	1	SWITCH, filter indicator	
21	15584-WD	2	PLUG - 6408-HHP-12	
22	19847-WD	1	PLUG - 6408-HHP-16	

- Kit or assembly. Includes all items indented underneath.
- Included in seal repair kit PN# 16086-WD.



Parts T2680 05/16/2003
37.50

OPTIONAL CHARGE PRESSURE FILTER MANIFOLD HEATER

REF	PART #	QTY	DESCRIPTION	SEE SECTION
-	19823-WD	1	☐ MANIFOLD, charge oil heater	
1	21673-WD	1	☐ CARTRIDGE, relief valve (RV10)	
2	NSS	1	⊗ O-RING, body	
3	NSS	1	⊗ RING, back-up - chamber	
4	NSS	1	⊗ O-RING, chamber	
5	15584-WD	1	PLUG - 6408-HHP-12	
6	21675-WD	2	O-RING, housing	
7	21676-WD	1	PLUG, orifice	
8	NSS	1	HOUSING, valve body	
9	21674-WD	1	☐ CARTRIDGE, solenoid valve (SV16)	
10	NSS	1	◆ O-RING, chamber	
11	NSS	1	◆ RING, back-up - chamber	
12	NSS	1	◆ O-RING, body	
13	23620-WD	1	COIL, 24V	
14	NSS	1	NUT	
-	21677-WD	1	KIT, seal repair - relief valve cartridge	
-	21678-WD	1	KIT, seal repair - solenoid cartridge	

- ☐ Kit or Assembly - includes all items indented underneath.
- ⊗ Included in seal repair kit Part # 21677-WD.
- ◆ Included in seal repair kit Part # 21678-WD.

