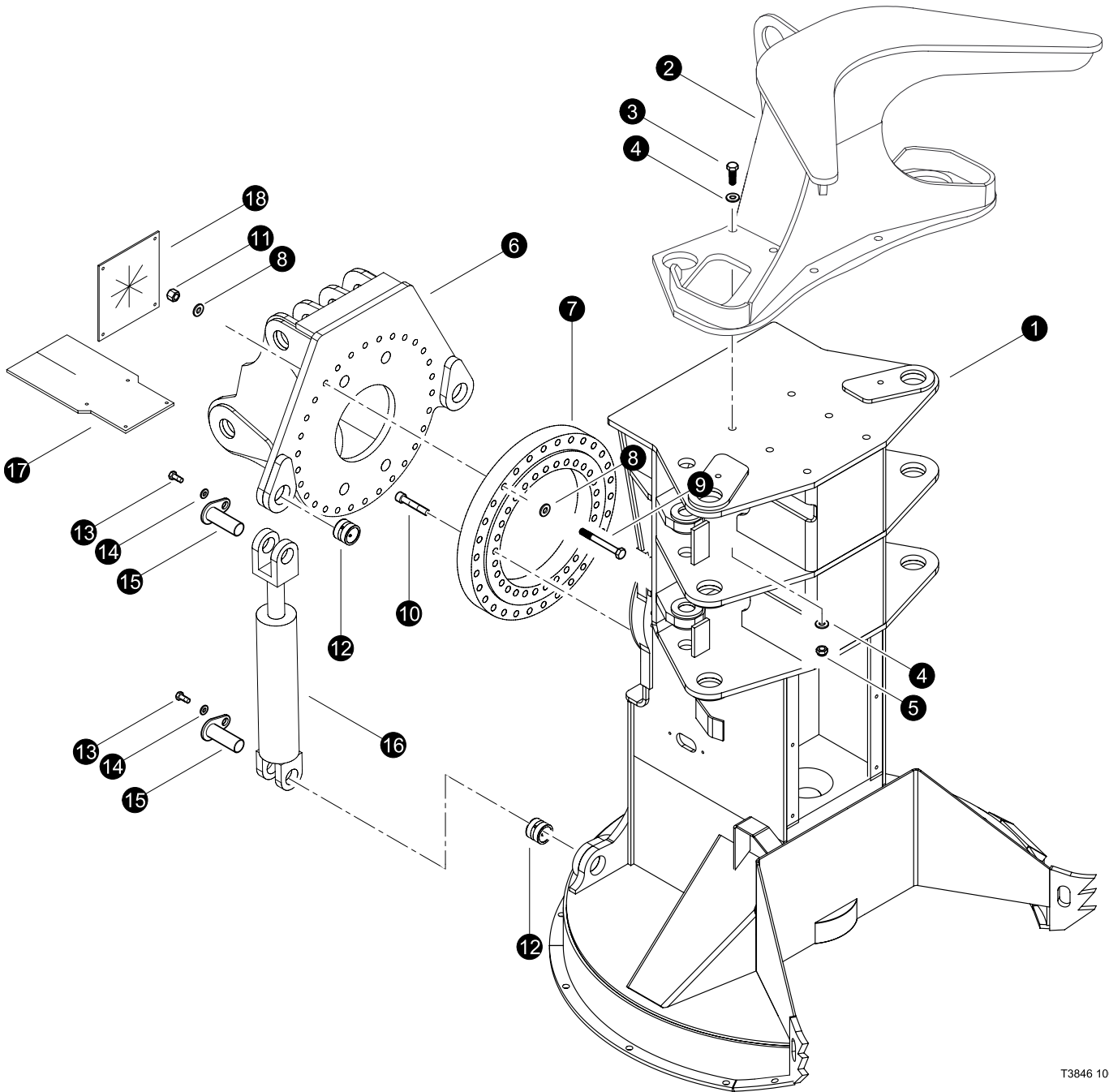


# ***Section DS-1***

---

## ***22" Disc Saw - Parts Breakdown***



T3846 100910

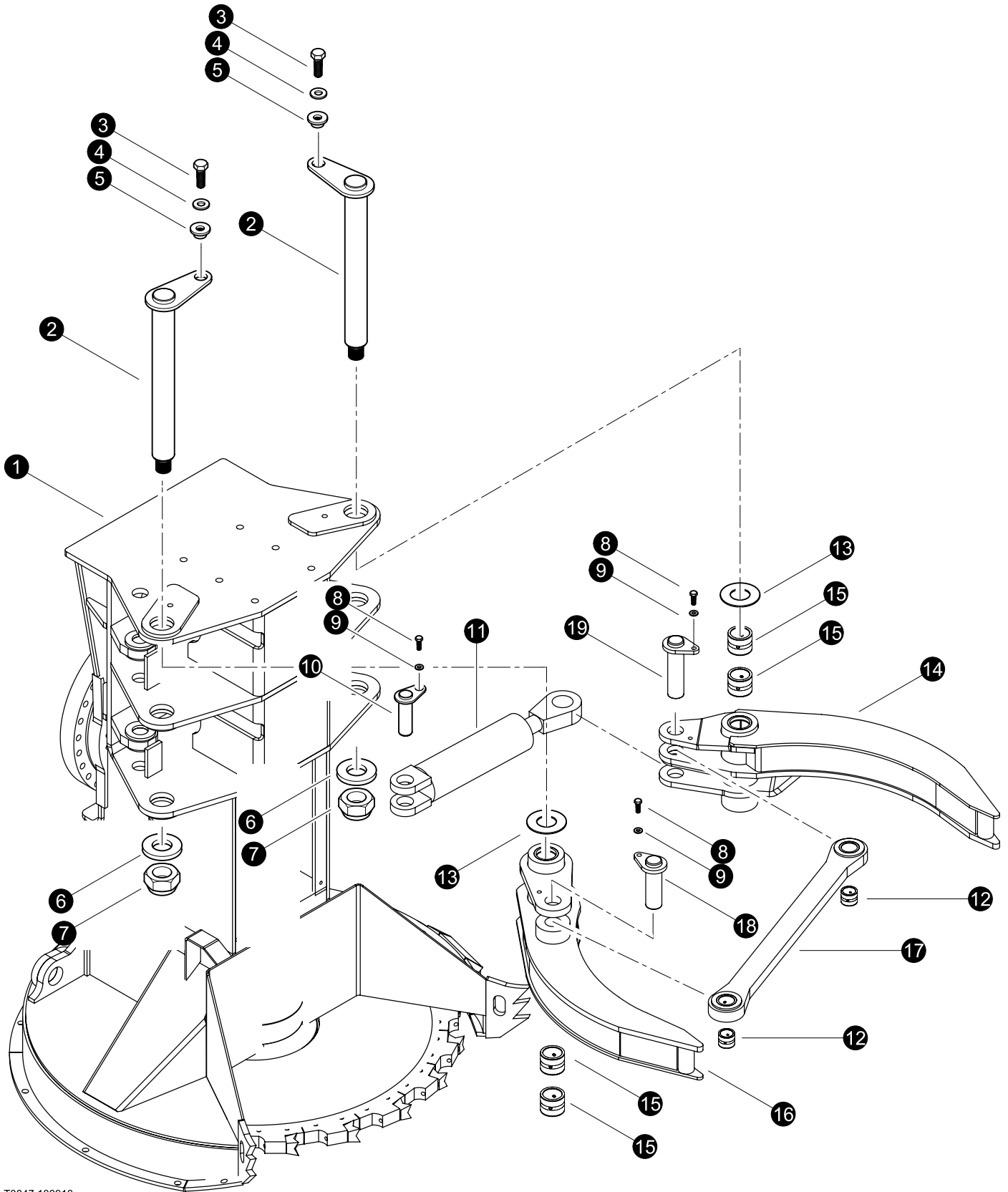
## Disc Saw (Top Post and Boom Mount)

REF	PART #	QTY	DESCRIPTION	SEE SECTION
1	52789-DS	1	FRAME, Disc Saw	
2	45990-DS	1	ASSEMBLY, TOP - Disc Saw	
3	10775-DS	6	BOLT - .75" X 2.5"	
4	15550-DS	12	WASHER, SAE FLAT - .75"	
5	10817-DS	6	NUT, LOCK - .75"	
6	53940-DS	1	BASE, SAW 40 DEG TILT DUAL CYL-53883 BRG	
7	53883-DS	1	BEARING, LATERAL TILT DISC/Disc Saw	
8	15550-DS	60	WASHER, SAE FLAT - .75"	
9	10843-DS	30	BOLT - .75" X 4.5" (Torque to 420 ft.IDS (570 Nm))	
10	53996-DS	30	BOLT, ALLEN HEAD - .75" X 4" (Torque to 377 ft.IDS (512 Nm)) (See Note: 1)	
11	10776-DS	30	NUT, HEX - .75" (See Note: 1)	
12	52795-DS	4	BUSHING - 2" X 2"	
13	10783-DS	4	BOLT - .5" X 1"	
14	15534-DS	4	WASHER, SAE FLAT - .5"	
15	53775-DS	4	PIN ASSEMBLY,	
16	52814-DS	2	CYLINDER, DISC SAW HEAD TILT - JARP . . . . .	DS-2
17	54039-DS	1	BELTING, HOSE GUIDE - OUTSIDE	
18	54038-DS	1	BELTING, HOSE GUIDE - INSIDE	

 See referenced page for component or assembly breakdown.

**Note: 1**


Use Loctite 272 (blue) during installation.



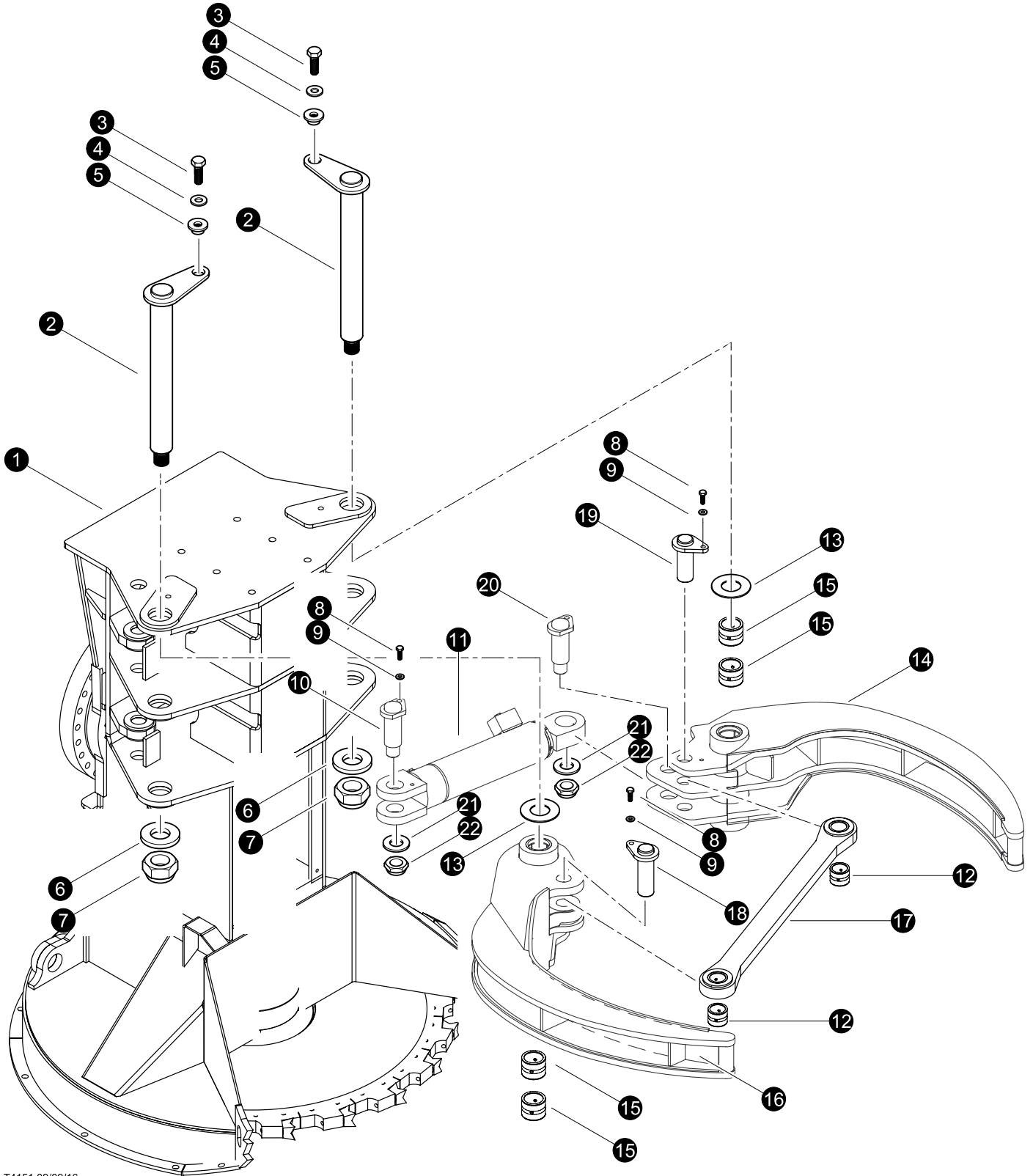
T3847 100910

## Disc Saw (Clamp Arms)

**8/21/2013 and Older**

REF	PART #	QTY	DESCRIPTION	SEE SECTION
1	REF.	1	 Disc Saw FRAME . . . . .	DS-1
2	54119-DS	2	PIN ASSEMBLY, Disc Saw Top Arms	
3	15549-DS	2	BOLT - .75" X 2.0	
4	15550-DS	2	WASHER, SAE FLAT - .75"	
5	18570-DS	2	WASHER, PIN RETAINING (BRAATZ)	
6	12021-DS	2	WASHER, BURNED 2 X	
7	10728-DS	2	NUT, nylock - 2"	
8	10739-DS	3	BOLT - .5" X 1.5"	
9	15534-DS	3	WASHER, SAE FLAT - .5"	
10	54120-DS	2	PIN ASSEMBLY, 2.0 DIA X 4.13	
11	REF	1	CYLINDER, UPPER CLAMP. . . . .	DS-2
12	52795-DS	2	BUSHING,	
13	16266-DS	3	SHIM - 2.51" ID X 3.88" OD X .075" THK	
-	16267-DS		SHIM - 2.51" ID X 3.88" OD X .135" THK	
-	16268-DS		SHIM - 2.51" ID X 3.88" OD X .179" THK	
14	54591-DS	1	ARM, TOP CLAMP - DOGBONE	
15	11704-DS	4	BUSHING - 2.5" X 4.25"	
16	54590-DS	1	ARM, TOP CLAMP - CYLINDER	
17	45984-DS	1	ASSEMBLY, DOG BONE DISC	
18	54121-DS	1	PIN ASSEMBLY, DISC SAW DOGBONE/CLAMP	
19	54120-DS	1	PIN ASSEMBLY, DISC SAW ARM/CYLINDER	


 See referenced page for component or assembly breakdown.



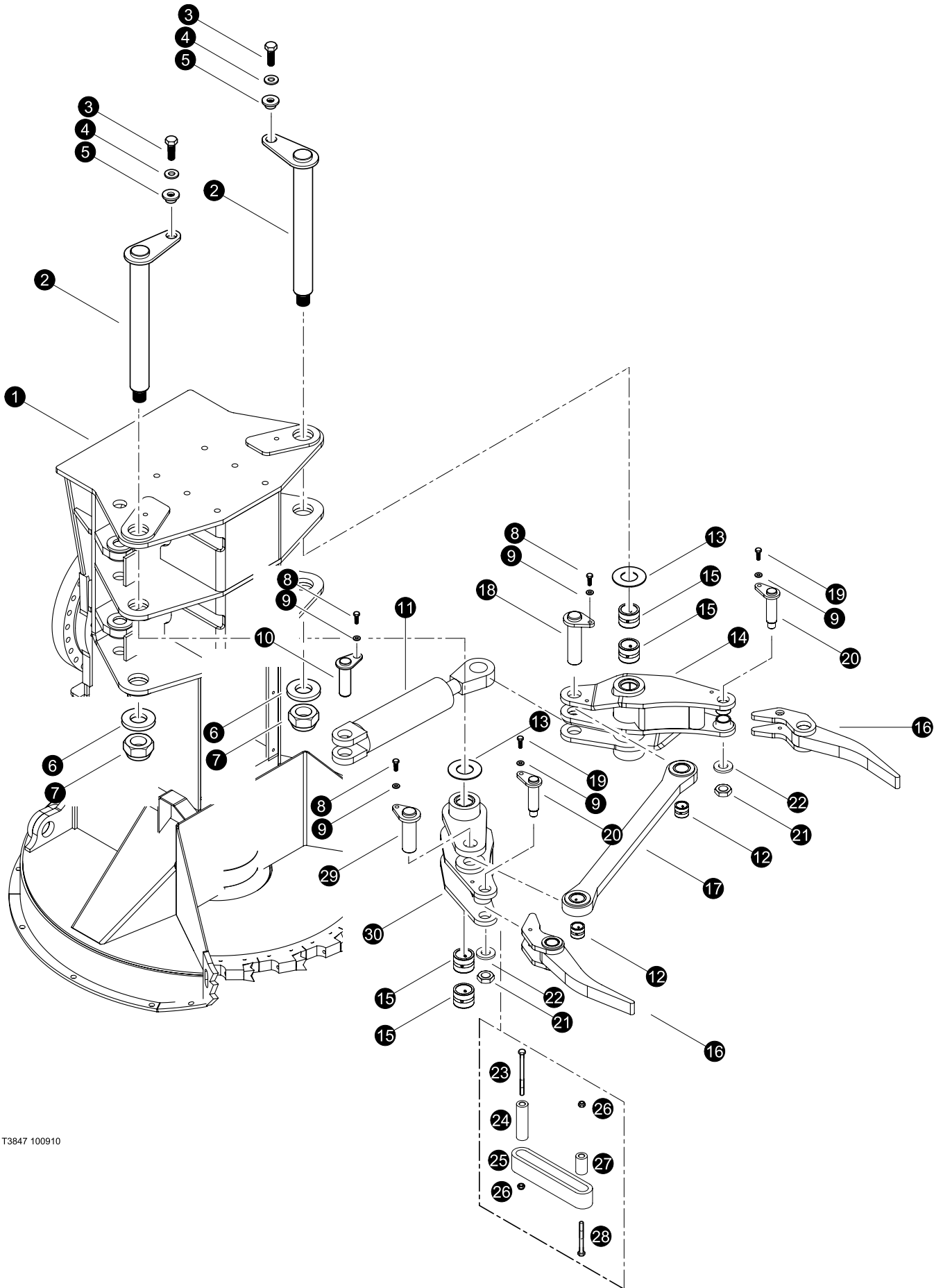
T4151 09/09/16

## Disc Saw (Clamp Arms)

**8/22/2013 and Newer**

REF	PART #	QTY	DESCRIPTION	SEE SECTION
1	REF.	1	 Disc Saw FRAME . . . . .	DS-1
2	54119-DS	2	PIN ASSEMBLY, Disc Saw Top Arms	
3	15549-DS	2	BOLT - .75" X 2.0	
4	15550-DS	2	WASHER, SAE FLAT - .75"	
5	18570-DS	2	WASHER, PIN RETAINING (BRAATZ)	
6	12021-DS	2	WASHER, BURNED 2 X	
7	10728-DS	2	NUT, nylock - 2"	
8	10739-DS	3	BOLT - .5" X 1.5"	
9	15534-DS	3	WASHER, SAE FLAT - .5"	
10	53775-DS	2	PIN ASSEMBLY, 2.0 DIA X 4.13	
11	REF	1	CYLINDER, UPPER CLAMP. . . . .	DS-2
12	52795-DS	2	BUSHING,	
13	16266-DS	3	SHIM - 2.51" ID X 3.88" OD X .075" THK	
-	16267-DS		SHIM - 2.51" ID X 3.88" OD X .135" THK	
-	16268-DS		SHIM - 2.51" ID X 3.88" OD X .179" THK	
14	45900-DS	1	WELDMENT, ARM CYL. DISC	
15	11704-DS	4	BUSHING - 2.5" X 4.25"	
16	45901-DS	1	WELDMENT, ARM CYL. DISC	
17	45984-DS	1	ASSEMBLY, DOG BONE DISC	
18	45987-DS	1	PIN ASSY, 1.75" X 6"	
19	45997-DS	1	PIN ASSY, 1.75" x 4.00"	
20	53775-DS	1	PIN ASSEMBLY, 2.0 DIA X 4.13	
21	19613-DS	1	WASHER, 1 1/2"	
22	20811 -DS	1	NUT, NYLOCK 1 1/2"	

 See referenced page for component or assembly breakdown.




T3847 100910

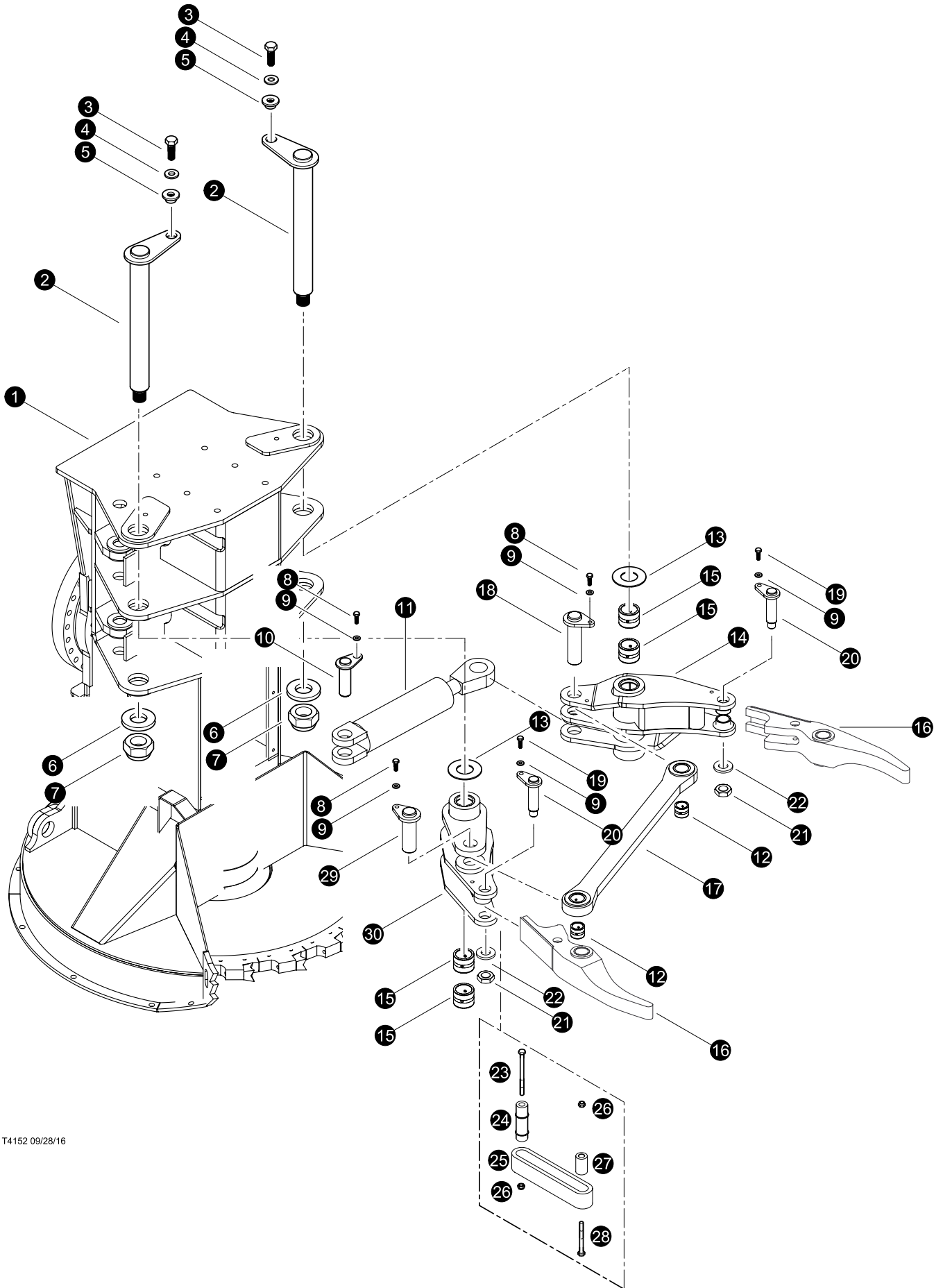


## Disc Saw (Accumulator Arms)

**8/21/2013 and Older**

REF	PART #	QTY	DESCRIPTION	SEE SECTION
1	REF.	1	 Disc Saw FRAME . . . . .	DS-1
2	54119-DS	2	PIN ASSEMBLY, Disc Saw Top Arms	
3	15549-DS	2	BOLT - .75" X 2.0	
4	15550-DS	2	WASHER, SAE FLAT - .75"	
5	18570-DS	2	WASHER, PIN RETAINING (BRAATZ)	
6	12021-DS	2	WASHER, BURNED 2 X	
7	10728-DS	2	NUT, nylock - 2"	
8	10739-DS	3	BOLT - .5" X 1.5"	
9	15534-DS	3	WASHER, SAE FLAT - .5"	
10	54120-DS	2	PIN ASSEMBLY, 2.0 DIA X 4.13	
11	REF	1	CYLINDER, UPPER CLAMP. . . . .	DS-2
12	52795-DS	2	BUSHING,	
13	16266-DS	3	SHIM - 2.51" ID X 3.88" OD X .075" THK	
-	16267-DS		SHIM - 2.51" ID X 3.88" OD X .135" THK	
-	16268-DS		SHIM - 2.51" ID X 3.88" OD X .179" THK	
14	54052-DS	1	ARM, ACCUMULATOR BASE - CYLINDER	
15	11704-DS	4	BUSHING - 2.5" X 4.25"	
16	54056-DS	2	ARM, ACCUMULATOR - END	
17	54020-DS	1	ASSEMBLY, DOG BONE-DISC SAW ARMS	
18	54120-DS	1	PIN ASSEMBLY, DISC SAW ARM/CYLINDER	
19	50100-DS	2	BOLT - .5" X 1.25"	
20	54123-DS	2	PIN ASSEMBLY, DISC SAW ACCUM ARM	
21	20811-BS	2	NUT, NYLOCK - 1.5" NF (JAM)	
22	19613-BS	1	WASHER, SAE FLAT - 1.5". . . . .	
23	-DS	2	BOLT - .5" X 6.5"	
24	54294-DS	2	SPACER, 1.06 X .68 X 3.93 DISC SAW	
25	53997-DS	2	RUBER BAND, ACCUMULATOR ARM	
26	10815-DS	4	NUT, LOCK - .5"	
27	54180-DS	2	SPACER, 1.06 X .68 X 2.0 LG	
28	10893-DS	2	BOLT - .5" X 3"	
29	54122-DS	1	PIN ASSEMBLY, DISC SAW DOGBONE/ACCUM	
30	54053-DS	1	ARM, ACCUMULATOR BASE - DOGBONE	


 See referenced page for component or assembly breakdown.



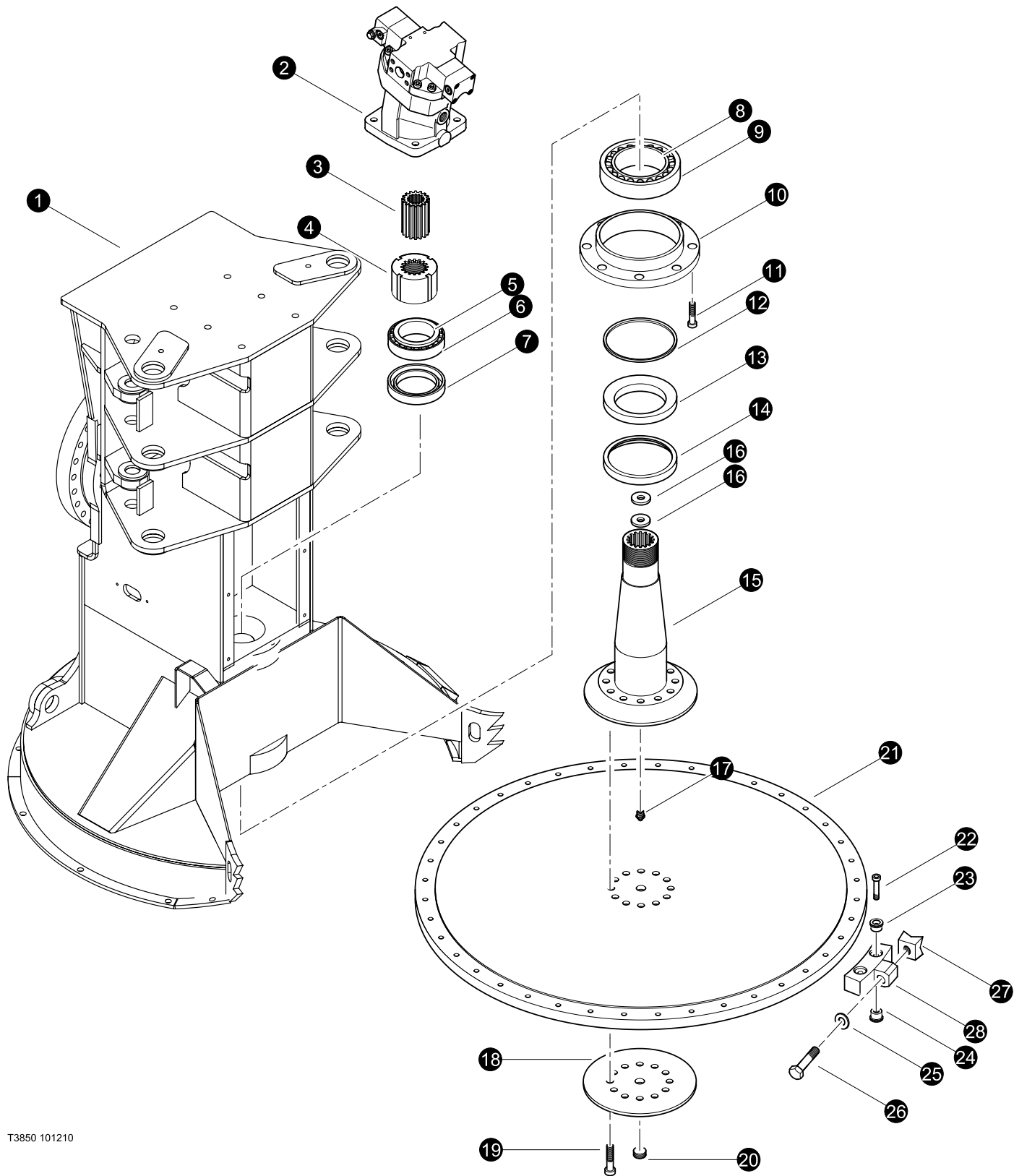
T4152 09/28/16

## Disc Saw (Accumulator Arms)

**8/22/2013 and Newer**



REF	PART #	QTY	DESCRIPTION	SEE SECTION
1	REF.	1	 Disc Saw FRAME . . . . .	DS-1
2	54119-DS	2	PIN ASSEMBLY, Disc Saw Top Arms	
3	15549-DS	2	BOLT - .75" X 2.0	
4	15550-DS	2	WASHER, SAE FLAT - .75"	
5	18570-DS	2	WASHER, PIN RETAINING (BRAATZ)	
6	12021-DS	2	WASHER, BURNED 2 X	
7	10728-DS	2	NUT, nylock - 2"	
8	10739-DS	3	BOLT - .5" X 1.5"	
9	15534-DS	3	WASHER, SAE FLAT - .5"	
10	54120-DS	2	PIN ASSEMBLY, 2.0 DIA X 4.13	
11	REF	1	CYLINDER, UPPER CLAMP. . . . .	DS-2
12	52795-DS	2	BUSHING,	
13	16266-DS	3	SHIM - 2.51" ID X 3.88" OD X .075" THK	
-	16267-DS		SHIM - 2.51" ID X 3.88" OD X .135" THK	
-	16268-DS		SHIM - 2.51" ID X 3.88" OD X .179" THK	
14	54052-DS	1	ARM, ACCUMULATOR BASE - CYLINDER	
15	11704-DS	4	BUSHING - 2.5" X 4.25"	
16	54056-DS	2	ARM, ACCUMULATOR - END	
17	54020-DS	1	ASSEMBLY, DOG BONE-DISC SAW ARMS	
18	54120-DS	1	PIN ASSEMBLY, DISC SAW ARM/CYLINDER	
19	50100-DS	2	BOLT - .5" X 1.25"	
20	54123-DS	2	PIN ASSEMBLY, DISC SAW ACCUM ARM	
21	20811-BS	2	NUT, NYLOCK - 1.5" NF (JAM)	
22	19613-BS	1	WASHER, SAE FLAT - 1.5". . . . .	
23	-DS	2	BOLT - .5" X 6.5"	
24	54294-DS	2	SPACER, 1.06 X .68 X 3.93 DISC SAW	
25	53997-DS	2	RUBER BAND, ACCUMULATOR ARM	
26	10815-DS	4	NUT, LOCK - .5"	
27	54180-DS	2	SPACER, 1.06 X .68 X 2.0 LG	
28	10893-DS	2	BOLT - .5" X 3"	
29	54122-DS	1	PIN ASSEMBLY, DISC SAW DOGBONE/ACCUM	
30	54053-DS	1	ARM, ACCUMULATOR BASE - DOGBONE	



 See referenced page for component or assembly breakdown.

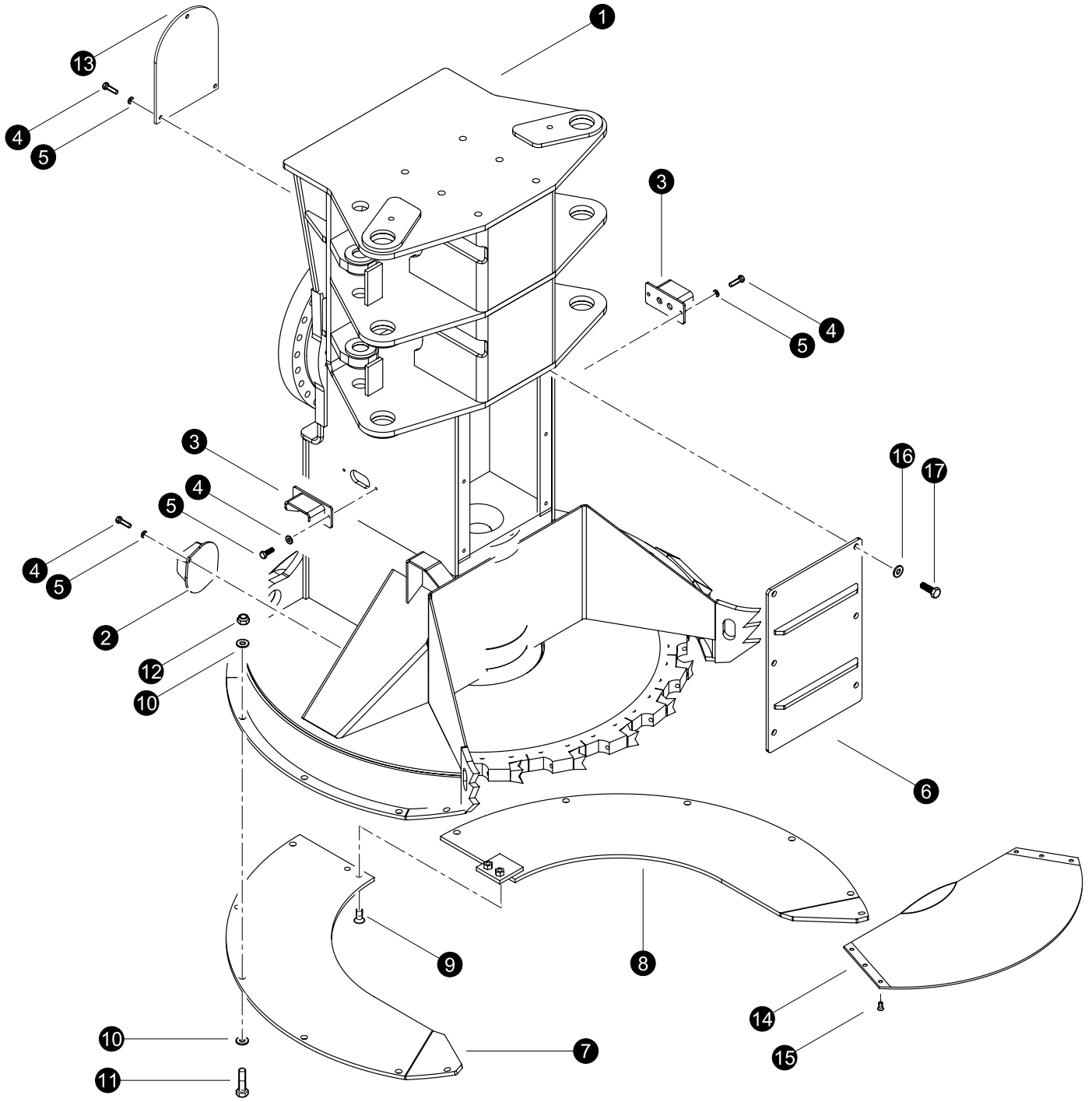


T3850 101210

## Disc Saw (Disc Install)


REF	PART #	QTY	DESCRIPTION	SEE SECTION
1	REF.	1	 Disc Saw FRAME . . . . .	DS-1
2	REF.	1	MOTOR, DISC SAW - AA6VM160 . . . . .	DS-2
3	54229-DS	1	SPLINED ADAPTER ASS'Y	
4	54230-DS	1	LOCK NUT	
5	54209-DS	1	BEARING CONE (Timken 6580)	
6	54210-DS	1	BEARING CUP (Timken 6535)	
7	54213-DS	1	SHAFT SEAL (National 415991)	
8	54212-DS	1	BEARING CUP (Timken 67390)	
9	54211-DS	1	BEARING CONE (Timken 67322)	
10	54232-DS	1	BEARING CARRIER	
11	50074-DS	8	BOLT, ALLEN HEAD - .5" X 1.5"	
12	54231-DS	1	SEAL SPACER	
13	54236-DS	1	SHAFT SEAL (National 417562)	
14	54235-DS	1	SEAL RING	
15	54227-DS	1	DRIVE SHAFT ASS'Y	
16	54233-DS	2	WASHER - BEVELED	
17	A21610	1	GREASE NIPPLE	
18	54234-DS	1	BOLTING FLANGE	
19	24915-DS	12	BOLT, ALLEN HEAD - .75" X 3"	
20	04160816	1	SET SCREW	
21	54151-DS	1	 SAW DISC ASSEMBLY	
-	-DS	1	DISC	
22	02101820	36	CAP SCREW	
23	Q10014	36	SLEEVE (TOP)	
24	Q10015	36	SLEEVE (BOOTOM)	
25	Q10169	18	LOCK WASHER	
26	011614648	18	HEX. HD. BOLT	
27	Q10233T	18	TOOTH	
28	Q10899	18	TOOTH HOLDER	

-  See referenced page for component or assembly breakdown.
-  Kit or Assembly - includes all items indented underneath.

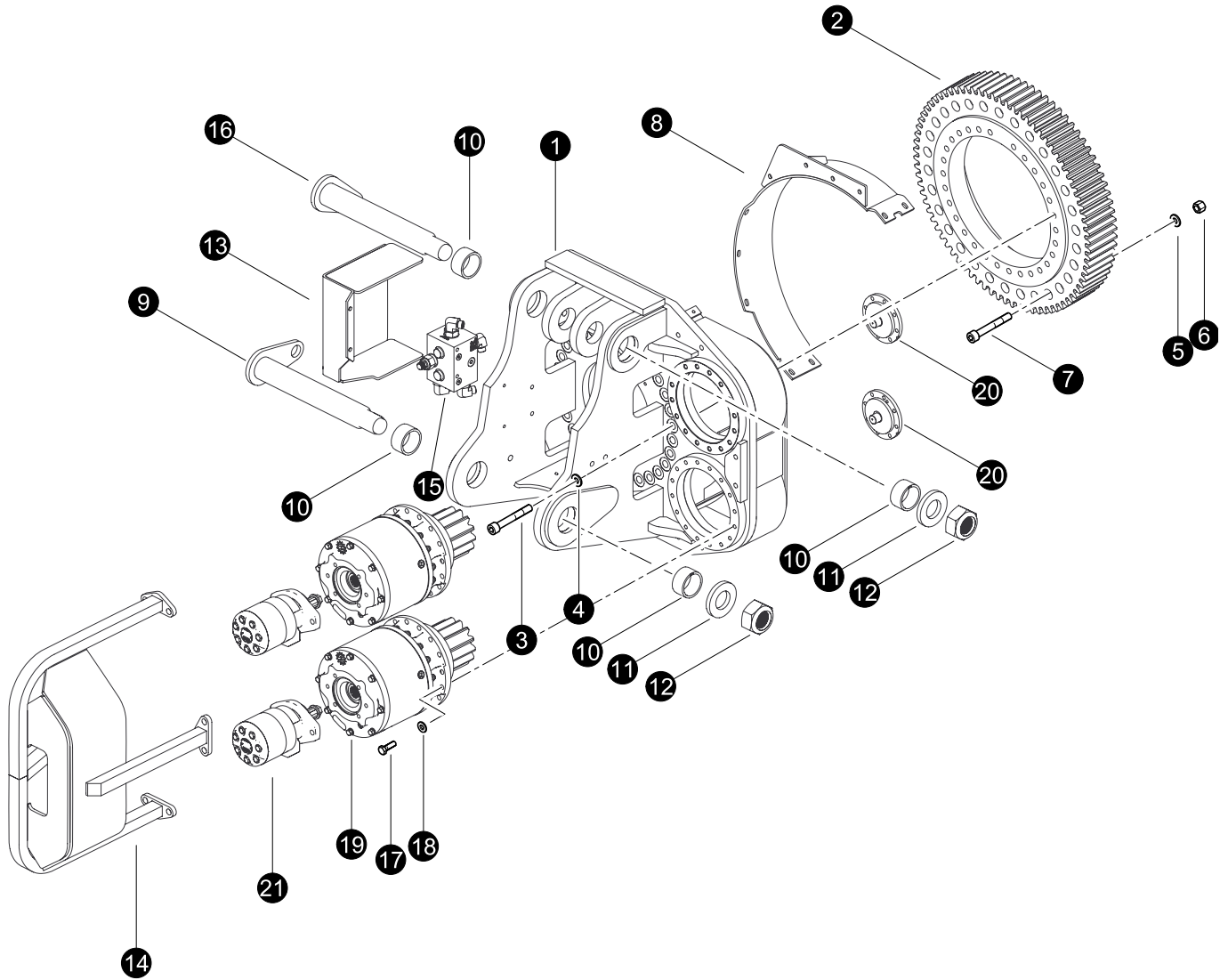


\*3849 100910

### Disc Saw (Covers)

REF	PART #	QTY	DESCRIPTION	SEE SECTION
1	REF.	1	 Disc Saw FRAME . . . . .	DS-1
2	54027-DS	1	COVER, VENT SIDE	
3	54048-DS	2	MOUNT, BULKHEAD DISC SAW	
4	15528-DS	9	WASHER, SAE FLAT - .375"	
5	15542-DS	9	BOLT - .375" X .75"	
6	54047-DS	1	COVER, DISC SAW MOTOR	
7	53765-DS	1	ASSEMBLY, BOTTOM COVER R.H.	
8	53766-DS	1	ASSEMBLY, BOTTOM COVER L.H.	
9	54036-DS	2	BOLT, FLAT HEAD SOCKET 3/4-10X1 1/2 DISC	
10	15550-DS	24	WASHER, SAE FLAT - .75"	
11	15549-DS	12	BOLT - .75" X 2.0	
12	10776-DS	12	NUT, HEX - .75"	
13	54195-DS	1	COVER, DISC SAW TOP	
14	54168-DS	1	SHELF, LOG - DISC SAW	
15	-DS	6	BOLT, FLAT HEAD	
16	15534-DS	6	WASHER, SAE FLAT - .5"	
17	10783-DS	6	BOLT - .5" X 1"	

 See referenced page for component or assembly breakdown.



Parts T4103 0921  
9.375



## Disc Saw (360 Degree Rotate)

REF	PART #	QTY	DESCRIPTION	SEE SECTION
1	47110-BS	1	ADAPTER, BOOM 360 DEG TILT-DUAL MOTOR	
2	54103-BS	1	BEARING, LATERAL TILT DISC/BAR SAW 360	
3	20683-BS	30	BOLT, ALLEN HEAD - .75" X 2.5" (Torque to 420 ft.IBS (570 Nm))	
4	15550-BS	30	WASHER, SAE FLAT - .75"	
5	15550-BS	30	WASHER, SAE FLAT - .75"	
6	-BS	30	NUT, .75"	
7	-BS	30	BOLT, ALLEN HEAD .75 X 5" (Torque to 420 ft.IBS (570 Nm))	
8	47133-BS	1	COVER, Bearing Gear	
9	14246-BS	1	PIN ASSEMBLY, 2.49 DIA X 20.13 (2" NUT)	
10	14242-BS	4	BUSHING - 2.5" X 1.5"	
11	12021-BS	2	WASHER, BURNED	
12	18402-BS	2	NUT, NYLOCK - 2.00" (ZINC PLATED)	
13	47130-BS	1	COVER, Cross Port Manifold	
14	47388-BS	1	COVER, rotate motors	
15	54177-BS	1	MANIFOLD, CROSS-PORT	
16	14246-BS	1	PIN ASSEMBLY, 2.49 DIA X 20.13 (2" NUT)	
17	10771-BS	12	WASHER, SAE FLAT - .625"	
18	15502-BS	12	BOLT - .625" X 1.5"	
19	54175-BS	2	GEARBOX, 360 HEAD ROTATE	
20	54169-BS	2	MOUNT, BACK BEARING - 360 ROTATE	
21	54114-BS	2	MOTOR, LATERAL TILT - BAR SAW (195 cc)	



See referenced page for component or assembly breakdown.

### THIS PAGE LEFT BLANK FOR NOTES

---

---

---

---

---

---

---

---

---

---

---

---

---

---

---

---

---

---

---

---

---

---

---

---

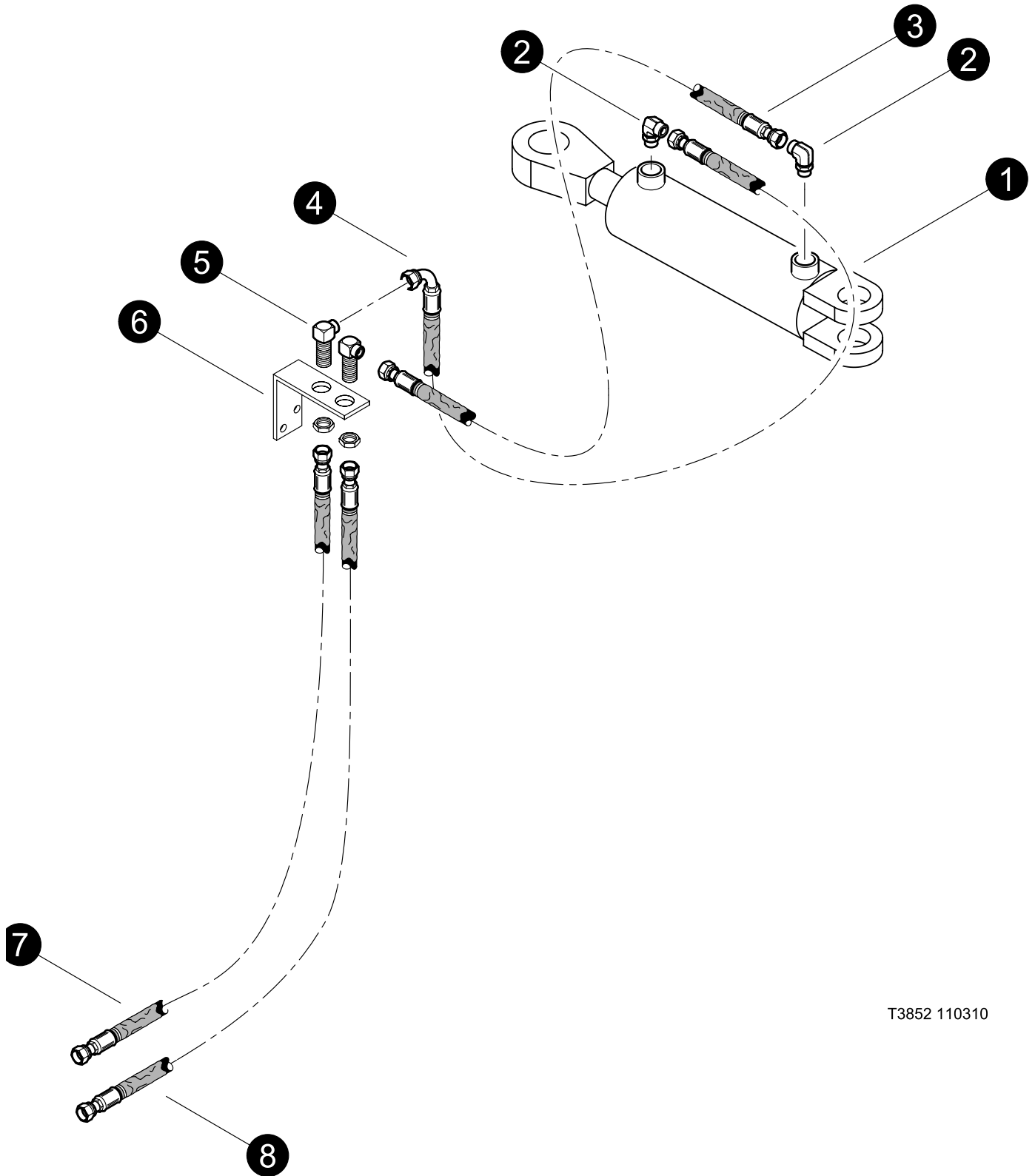
---

---

# ***Section DS-2***

---

## ***22" Disc Saw - Hydraulics***



T3852 110310

## DISC SAW HYDRAULICS (Clamp Arm Cylinders)

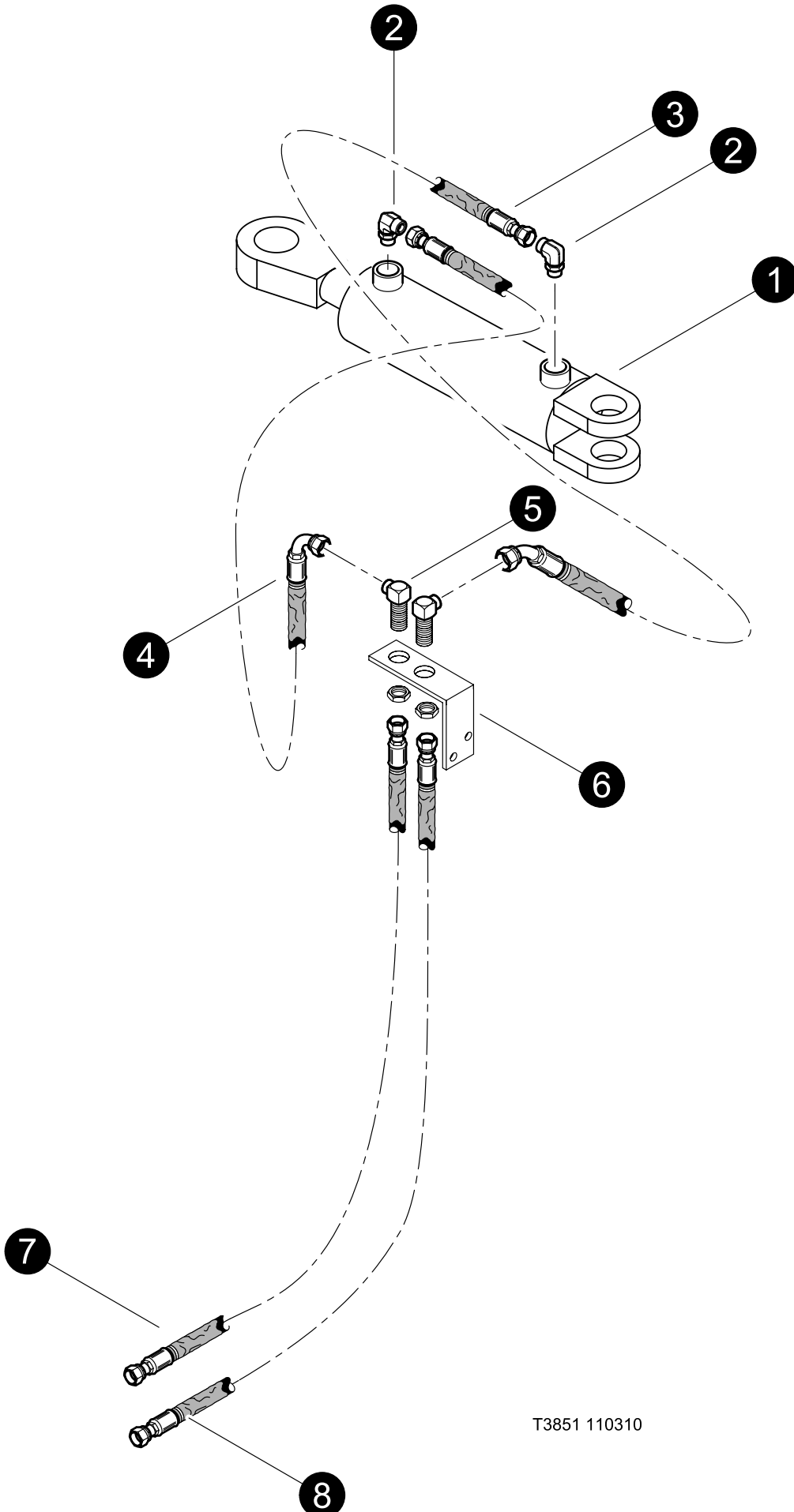
REF	PART #	QTY	DESCRIPTION	SEE SECTION
1	REF	1	CYLINDER, SAW CLAMP . . . . .	DS-2
2	16360-DS	4	ELBOW, 90° - FF1868T-0808S	
3	-DS	1	HOSE ASSEMBLY - 4021-08-080S-0809w ( <i>bulkhead to clamp cylinder base port</i> )	
4	-DS	1	HOSE ASSEMBLY - 4024-08-080S-080Sw ( <i>bulkhead to clamp cylinder rod port</i> )	
5	24187-DS	2	ELBOW, 90 BULKHEAD - 855BH-TT-08	
6	54196-DS	1	BRACKET, CLAMP BULKHEAD	
7	-DS	1	HOSE ASSEMBLY - 4099-08-080S-080Sw ( <i>clamp rod bulkhead to boom</i> )	
8	-DS	1	HOSE ASSEMBLY - 4102-08-080S-080Sw ( <i>clamp base bulkhead to boom</i> )	



See referenced page for component or assembly breakdown.



Kit or Assembly - includes all items indented underneath.



T3851 110310

## DISC SAW HYDRAULICS (Accumulator Cylinder)

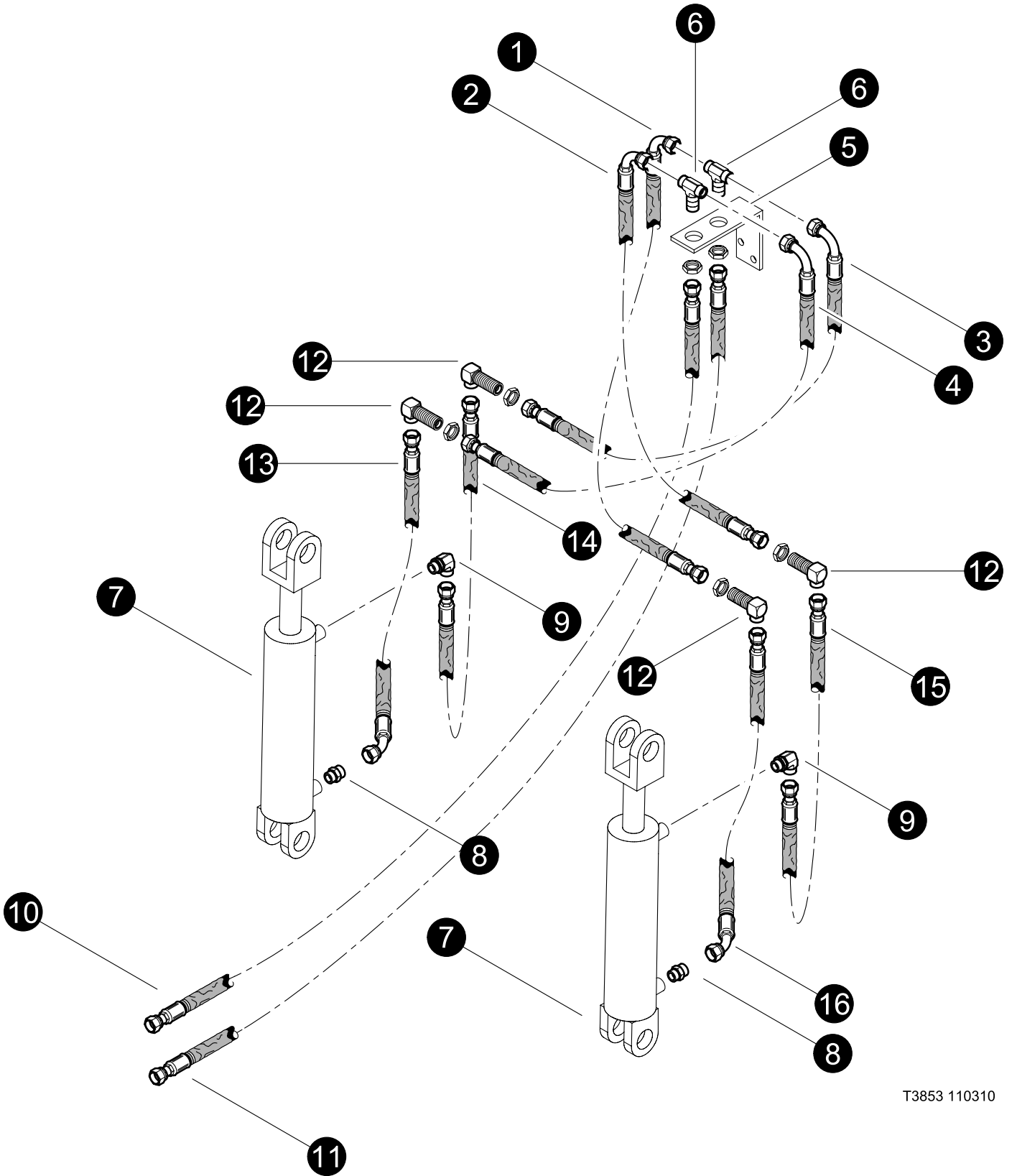
REF	PART #	QTY	DESCRIPTION	SEE SECTION
1	REF	1	CYLINDER, SAW ACCUMULATOR .....	DS-2
2	16360-DS	4	ELBOW, 90° - FF1868T-0808S	
3	-DS	1	HOSE ASSEMBLY - 4030-08-080S-0804w ( <i>bulkhead to ACC cylinder base port</i> )	
4	-DS	1	HOSE ASSEMBLY - 4015-08-080S-0809w ( <i>bulkhead to ACC cylinder rod port</i> )	
5	24187-DS	2	ELBOW, 90 BULKHEAD - 855BH-TT-08	
6	54196-DS	1	BRACKET, ACC BULKHEAD	
7	-DS	1	HOSE ASSEMBLY - 4105-08-080S-080Sw ( <i>ACC rod bulkhead to boom</i> )	
8	-DS	1	HOSE ASSEMBLY - 4106-08-080S-080S w ( <i>ACC base bulkhead to boom</i> )	



See referenced page for component or assembly breakdown.



Kit or Assembly - includes all items indented underneath.



T3853 110310



## DISC SAW HYDRAULICS (Tilt Cylinder)

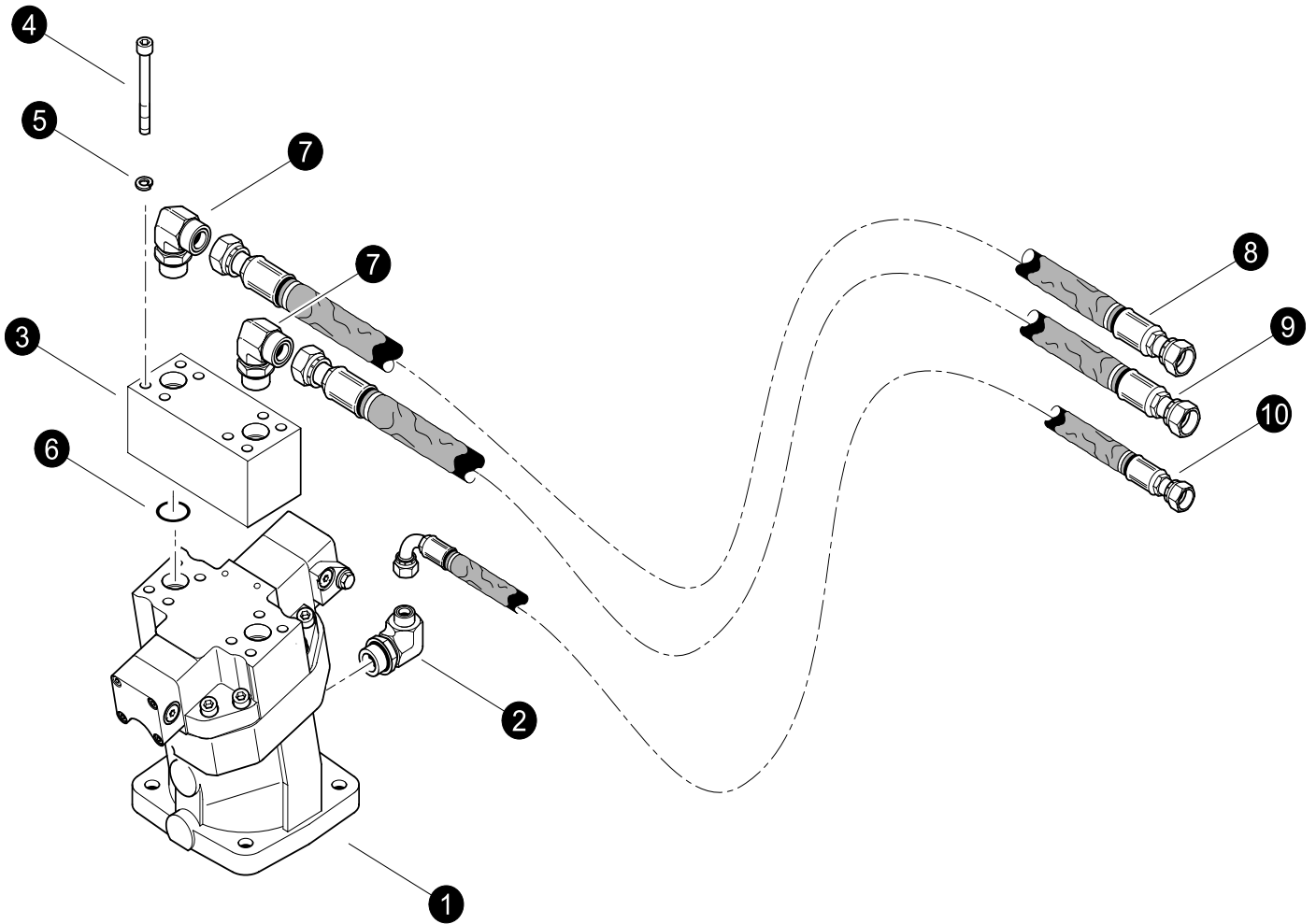
REF	PART #	QTY	DESCRIPTION	SEE SECTION
1	-DS	1	HOSE ASSEMBLY - 4042-08-080S-0809w ( <i>bulkhead tee to bulkhead 90</i> )	
2	-DS	1	HOSE ASSEMBLY - 4042-08-080S-0809w ( <i>bulkhead tee to bulkhead 90</i> )	
3	-DS	1	HOSE ASSEMBLY - 4042-08-080S-0809w ( <i>bulkhead tee to bulkhead 90</i> )	
4	-DS	1	HOSE ASSEMBLY - 4042-08-080S-0809w ( <i>bulkhead tee to bulkhead 90</i> )	
5	54197-DS	1	BRACKET, bulkhead	
6	52930-DS	2	TEE, BULKHEAD BRANCH - 8	
7	REF	1	CYLINDER, SAW HEAD UPPER CLAMP. ....	DS-2
8	15117-DS	2	CONNECTOR, STR - FF1852T-0808S	
9	16360-DS	2	ELBOW, 90 - FF1868T-0808S	
10	-DS	1	HOSE ASSEMBLY - 4102-08-080S-080Sw ( <i>Rear bulkhead tee to stick boom Tilt B</i> )	
11	-DS	1	HOSE ASSEMBLY - 4102-08-080S-080Sw ( <i>Front bulkhead tee to stick boom Tilt A</i> )	
12	24187-DS	2	ELBOW, 90 BULKHEAD - 855BH-TT-08	
13	-DS	1	HOSE ASSEMBLY - 2018-08-080S-080Sw ( <i>bulkhead 90 to cyl base</i> )	
14	-DS	1	HOSE ASSEMBLY - 2022-08-080S-080Sw ( <i>bulkhead 90 to cyl rod</i> )	
15	-DS	1	HOSE ASSEMBLY - 2022-08-080S-080Sw ( <i>bulkhead 90 to cyl rod</i> )	
16	-DS	1	HOSE ASSEMBLY - 2018-08-080S-080Sw ( <i>bulkhead 90 to cyl base</i> )	



See referenced page for component or assembly breakdown.



Kit or Assembly - includes all items indented underneath.



T3854 110310

## DISC SAW HYDRAULICS (Saw Motor Hydraulics)

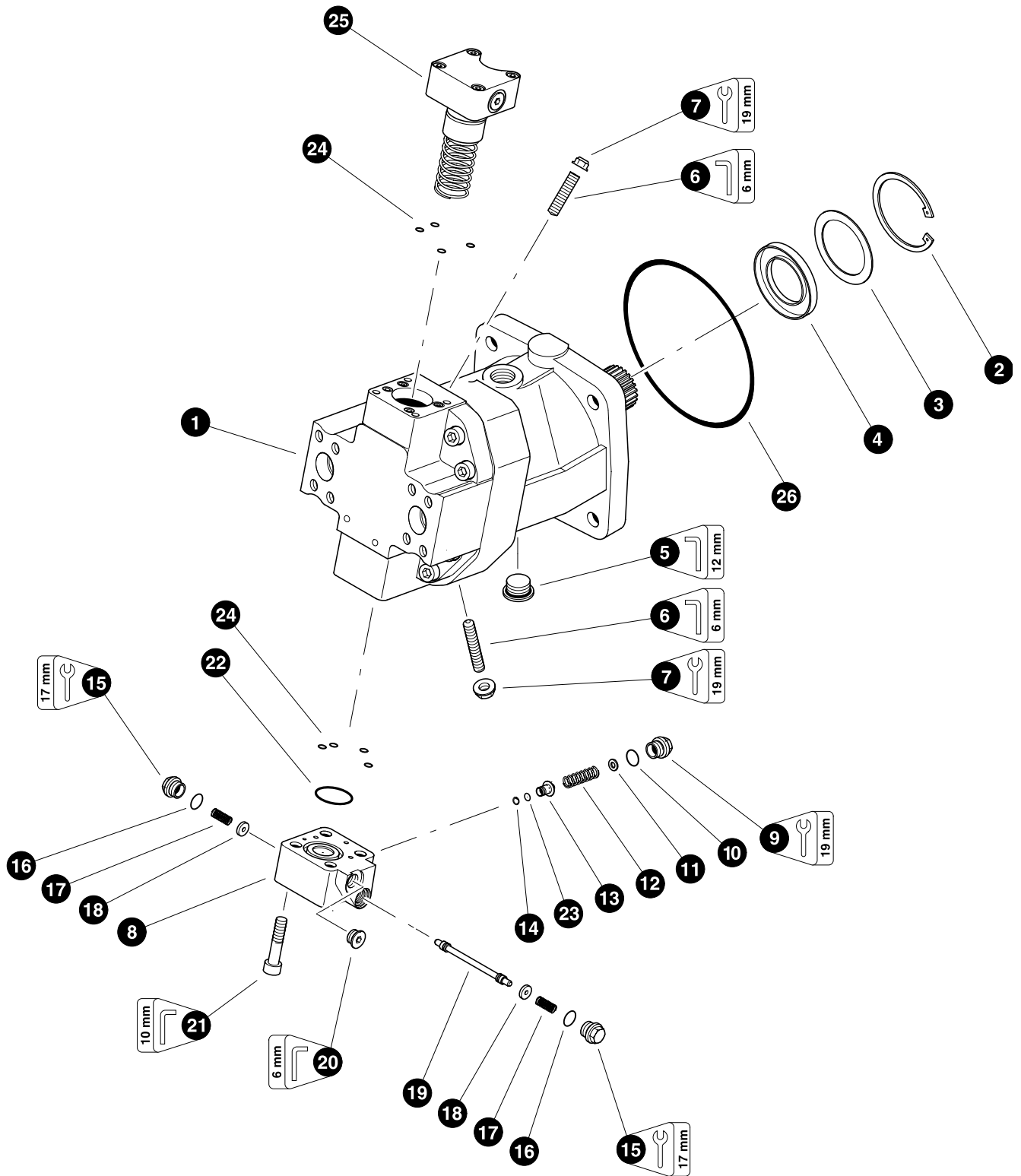
REF	PART #	QTY	DESCRIPTION	SEE SECTION
1	REF	1	MOTOR, DISC SAW - AA6VM160 .....	DS-2
2	15372-DS	1	ELBOW, 90 - FF1868T-0812S	
3	53004-DS	1	☐ MANIFOLD, ANTI-CAV ( DISC SAW MOTOR)	
4	-DS	1	BOLT, ALLEN	
5	-DS	1	WASHER, LOCK	
6	-DS	1	O-RING,	
7	17688-DS	3	ELBOW, 90 - FF1868T-1212S	
8	-DS	1	HOSE ASSEMBLY - 4093 -12-120S-120Sw (Return)	
9	REF	1	HOSE ASSEMBLY - 4085 -12-120S-120Sw (Pressure)	
10	-DS	1	HOSE ASSEMBLY - 4112 -08-080S-080Sw (Case Drain)	



See referenced page for component or assembly breakdown.



Kit or Assembly - includes all items indented underneath.



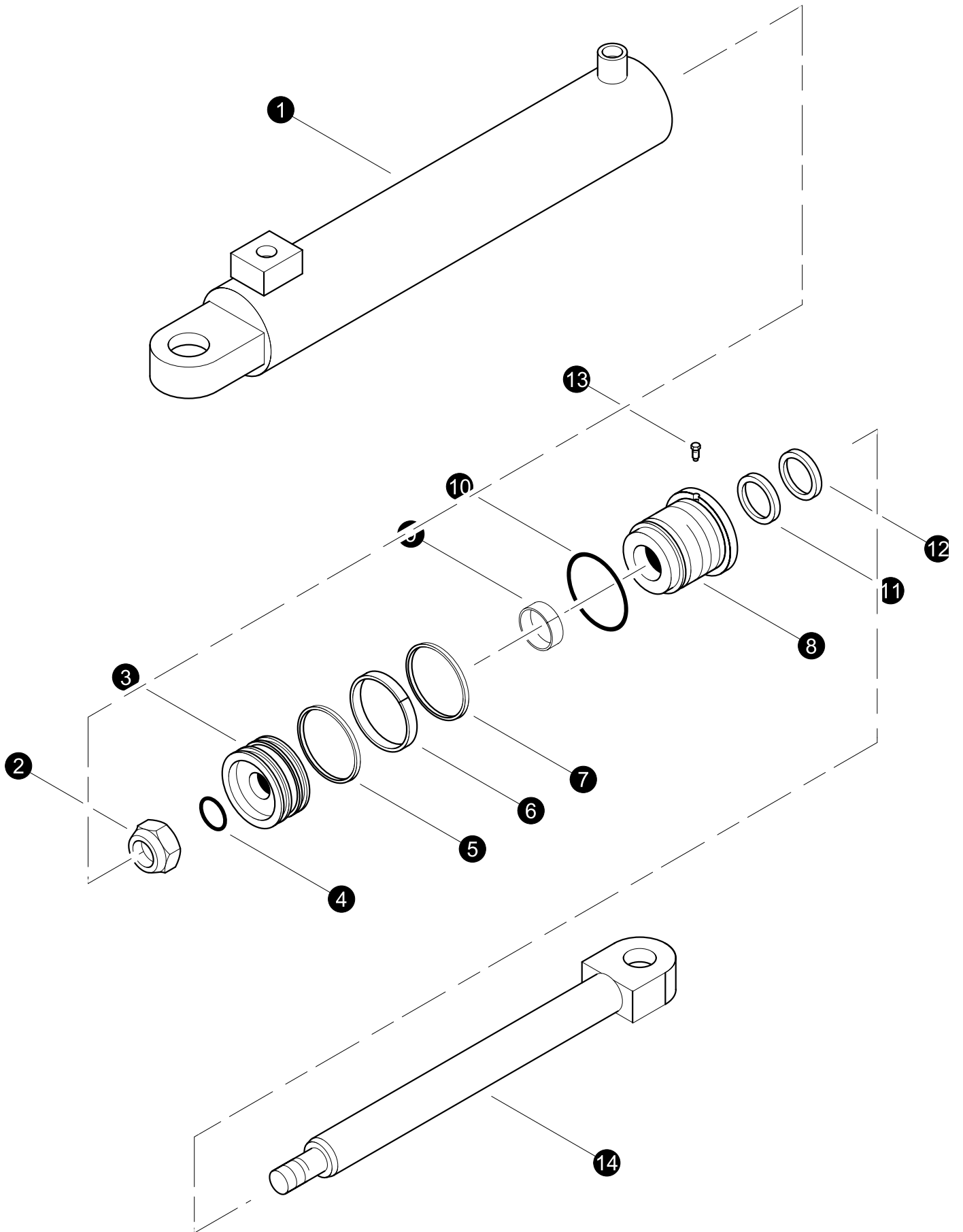
Parts T3855 111010  
25.00

## DISC SAW HYDRAULICS (Saw Motor)

REF	PART #	QTY		DESCRIPTION	SEE SECTION
1	53698-0-FF	1	□	MOTOR, DISC SAW - AA6VM160	
2	20685-FF	1		RING, snap	
3	20686-FF	1		SHIM, shaft seal	
4	20687-FF	1	⌘	SEAL, shaft	
5	19692-FF	1		PLUG - 26mm-1.5P (DSPP thread)	
6	51987-FF	1		SCREW, adjusting (0 - Displacement min)(needed for front motor)	
	20688-FF	2		SCREW, adjusting (Displacement min & max)	
7	20689-FF	2	⌘	NUT, seal	
8	20690-FF	1	□	STROKING PISTON COVER ASSEMBLY	
9	20691-FF	1		PLUG	
10	20713-FF	1	⌘	O-RING	
11	20714-FF	1		SHIM	
12	20715-FF	1		SPRING	
13	20716-FF	1		POPPET	
14	20718-FF	1		RING, snap	
15	20719-FF	2		PLUG	
16	20720-FF	2	⌘	O-RING	
17	20721-FF	2		SPRING	
18	20722-FF	2		RETAINER, spring	
19	NSS	1		SPOOL	
20	20693-FF	1		PLUG - 14mm-1.5P (DSPP thread)	
21	20723-FF	4		BOLT, allen head	
22	20724-FF	1	⌘	O-RING	
23	20717-FF	1		ORIFICE, flushing - 1.2mm	
24	NSS	8		O-RING	
25	REF.	1		STROKING PISTON CONTROL ASSEMBLY	
26	20967-FF	1		O-RING, WHEEL DRIVE MOTOR (gearbox pilot)	
-	20725-FF	1		KIT, seal repair - complete AA6VM160 motor	

□ Kit or Assembly - includes all items indented underneath.

⌘ Included in seal repair kit Part # 20725-FF.



T3856 100909

## DISC SAW HYDRAULICS (Clamp & ACC Cylinder)

REF	PART #	QTY		DESCRIPTION	SEE SECTION
-	54107-BS	1	□	CYLINDER, SAW HEAD CLAMP/ACC (DISC SAW)	
1	-BS	1		BARREL ASSEMBLY ()	
2	-BS	1		NUT, SELF LOCKING (712025A)	
3	-BS	1	□	PISTON ASSEMBLY (400450B)	
4	-BS	1	✘	O-RING	
5	-BS	1	✘	SEAL	
6	-BS	1	✘	RING, piston wear	
7	-BS	1	✘	SEAL	
8	54554-BS	1	□	ROD BEARING ASSEMBLY (501024B)	
9	-BS	1	✘	RING, rod bearing wear	
10	-BS	1	✘	O-RING	
11	-BS	1	✘	SEAL	
12	-BS	1	✘	DUST SEAL	
13	-BS	1		SCREW - LOCKING (711127A)	
14	-BS	1		ROD ASSEMBLY ()	
-	54431-DS	1		KIT, Seal	



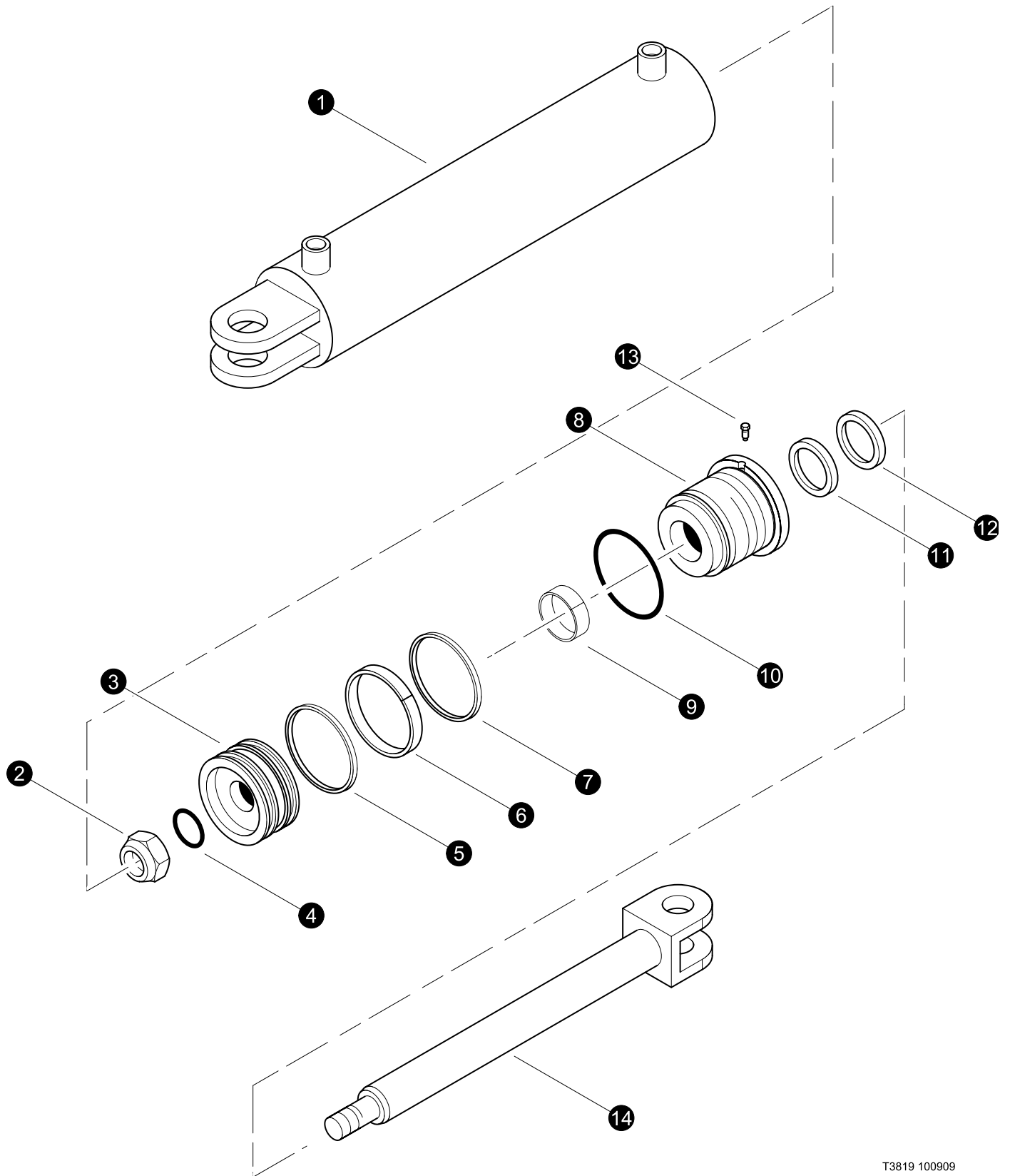
See referenced page for component or assembly breakdown.



Kit or Assembly - includes all items indented underneath.



Included seal kit # 54431.



T3819 100909



## DISC SAW HYDRAULICS (Tilt Cylinder)

REF	PART #	QTY		DESCRIPTION	SEE SECTION
-	52814-BS	1	□	CYLINDER, SAW HEAD TILT	
1	-BS	1		BARREL ASSEMBLY (203512B)	
2	52659-BS	1		NUT, SELF LOCKING (712025A)	
3	54155-BS	1	□	PISTON ASSEMBLY (400844B)	
4	-BS	1	✘	O-RING	
5	-BS	1	✘	SEAL	
6	-BS	1	✘	RING, piston wear	
7	-BS	1	✘	SEAL	
8	54156-BS	1	□	ROD BEARING ASSEMBLY (501024B)	
9	-BS	1	✘	RING, rod bearing wear	
10	-BS	1	✘	O-RING	
11	-BS	1	✘	SEAL	
12	-BS	1	✘	DUST SEAL	
13	-BS	1		SCREW - LOCKING (711127A)	
14	54154-BS	1		ROD ASSEMBLY (302180B)	



See referenced page for component or assembly breakdown.



Kit or Assembly - includes all items indented underneath.



Included seal kit # 54157.

