

TIMBERPRO TL775D Leveling



L9 Engine Provides:

- 365 Hp (272 kW)
- 1151 lb-ft Torque
- Increased fuel economy and longer maintenance intervals
- Single-Module™ aftertreatment system Certified to Stage V

- ❑ Cummins L9 Engine
- ❑ Dual Hydrostatic Drive System
- ❑ Dual Motor Hydrostatic Slewing System
- ❑ IQAN 10" Touch Screen Control System
- ❑ Digital Climate Control System
- ❑ Larger Windows for Increased Visibility
- ❑ High Output LED Lighting
- ❑ Handsfree Stereo System
- ❑ Best in Class Serviceability

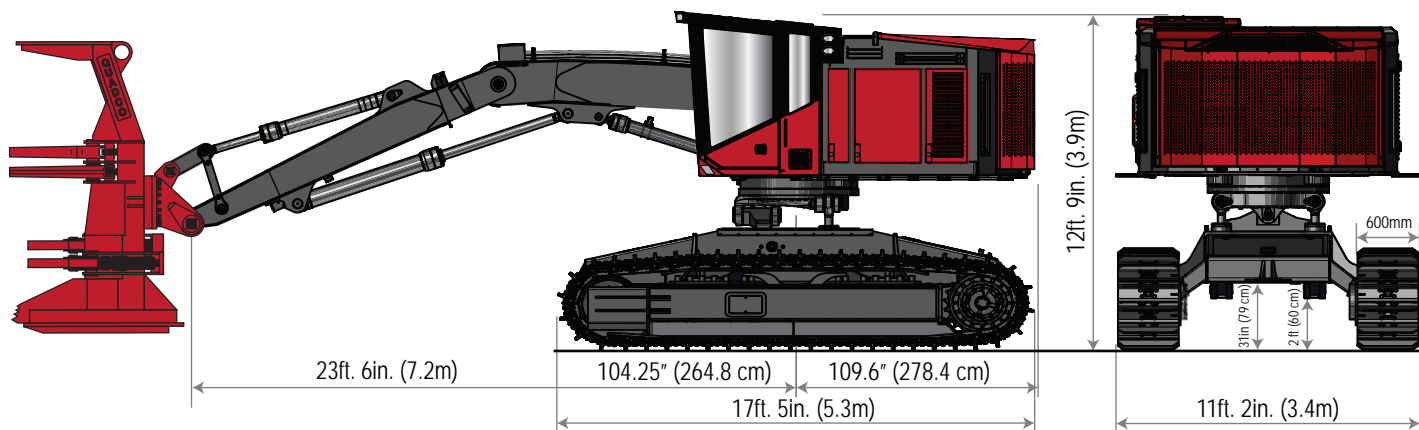


The TimberPro TL775D is the largest of the D-Series purpose built track machines. Designed exclusively for the forest industry the TL775D was built to handle extreme terrain and severe climates.

The leveling undercarriage of the TL775D has long heavy duty track frames and a wide stance making it extremely robust and very stable.

Equipped with a powerful Cummins L9 engine, a technologically advanced IQAN MD4 touch screen control system, dual motor hydrostatic slewing system and a dedicated dual hydrostatic track drive system the TL775D is the perfect balance of power, performance and productivity.

TL775D - Feller Buncher



TimberPro Inc reserves the right to change specifications without notice or obligation. Product illustrations may be equipped with non-standard equipment.

Engine:

Cummins L9 Series Engine - 365HP
Single Module DOC/DPF/SCR
Max HP - 365 hp (272 kw)
Peak Torque - 1151 lb.ft. (1561 nm) @ 1400
Fuel Tank - 250 gallons (946 Liters)

Cooling:

Fan - 42" Hydraulic Driven, Variable Speed with
Auto Reversing Feature
Gear Box Cooler - Optional

Control System:

IQAN MD4 HD control system

- 10" touch screen
- Engine Management
- Troubleshooting Diagnostics
- Over and Under Temperature Protection
- Auto-Accumulator Arm Feature
- Auto-Leveling Feature

Electrical System:

Alternator - 100 amp 24 Volt
Batteries - 2 /12 Volt @ 1000 CCA
Work Lights - LED High Intensity Lighting

Serviceability:

Rear Gull Wing Canopy Opens to Access to
Engine and Hydraulic Components
Side Access Service Doors
Adjustable Side Service Platforms
Retractable step for operators cabin
Hydraulic Tank Vacuum System

Hydraulic System:

Implement Pump - 175cc Variable Disp Piston
Swing Pump - Dedicated 90cc Hydrostatic
Track Drive - Dedicated 90cc Dual Hydrostatic
Disc Saw Pump - Dedicated 60cc Piston
Charge Pump - Gear Pump 50cc
Valve - Rexroth M7 / M4
Electric hyd oil fill pump

Filtration System:

Charge Filter Non By-Pass 6 micron
Return Filters w/By-Pass 10 micron
Case Drain Filter w/By-Pass 10 micron

Upper Turntable Swing:

Gearboxes - Dual Rexroth GFB17 (32.47:1)
Bearing - Dual Ball / External Tooth
Swing Motors - Dual Rexroth Bent Axis - 56cc
Hydrostatic energy recovery system
Swing Speed - 5.6 RPM
Swing Torque - 113,811 Ft/LBS (154,307 Nm)
Swing Brake - Wet Multi-Disc (95,000 ft-lbs)
Continuous Rotation Swing

Leveling System:

Front - 22 Degrees
Rear - 8 Degrees
Side - 20 Degrees
(One Touch) Auto-Leveling

Safety:

ANSUL LVS 15 Gallon Liquid Agent Fire
Suppression System

Machine Weight:

Base Machine: 96,200 lbs (43,636 kg)
Ground Pressure: 600mm - 10.7 psi (standard)
700mm - 9.2 psi (optional)
800mm - 8.5 psi (optional)

(approximate "woods ready" operating weight without attachment)

Boom Performance: (Buncher)

Maximum Reach (Pin Point) - 23ft. 6in. (7.2m)
Lift Capacity Max Reach: 15,000 lbs (6,804 kg)

Undercarriage:

Caterpillar 330 Frame w/345 Recoil Spring
Track Pitch - 8.5 Inch Pitch
Track Pads - 51 - D7G HD (600, 700 or 800mm)
Track Rollers - 10 (8 - Double and 2 - Single)
Final Drive - Rexroth GFT 8190 - 121.1:1 Ratio
Drive Motors - 170cc Auto Shift Rexroth
Tractive Effort - 108,745 lbs (484 kN)
Tractive Effort to Weight ratio - 1.2:1
Travel Speed - 0 to 3.5 mph
Winch Assist / Tethering Hitch (Standard)

Operators Cabin:

ROPS/FOPS/OPS Certified cabin
Digital Climate Control System
Three Emergency Escape routes
Fresh air filtered & Pressurized cabin
AM/FM/WB - Bluetooth/Handsfree - USB
Deluxe Seat - Air ride, Heat & Lumbar
Rear View Camera System