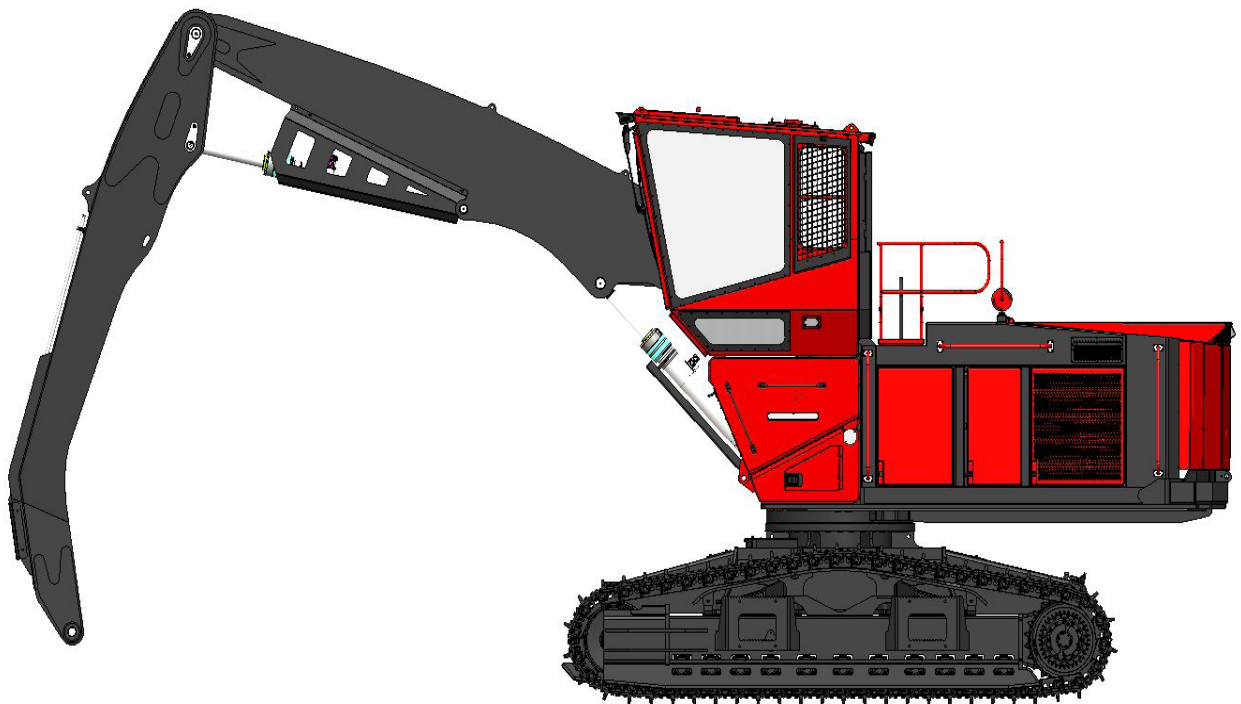


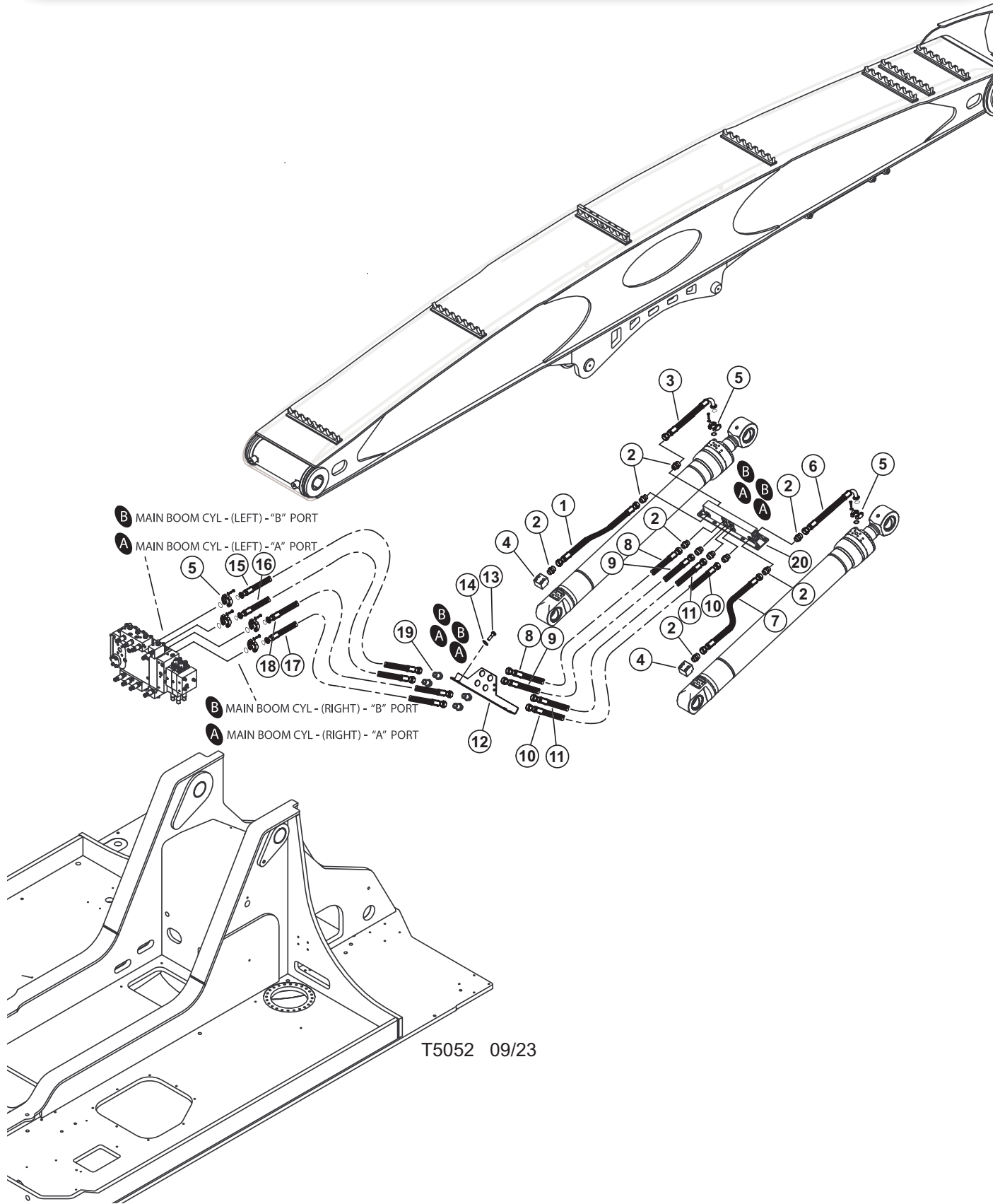
# SECTION BH-1

## LOG LOADER BOOM HYDRAULICS ASSEMBLY AND INSTALLATION



# LOG LOADER BOOM HYDRAULICS ASSEMBLY AND INSTALLATION

## MAIN BOOM CYLINDER HYDRAULICS - (UP TO SN. 1153)



T5052 09/23

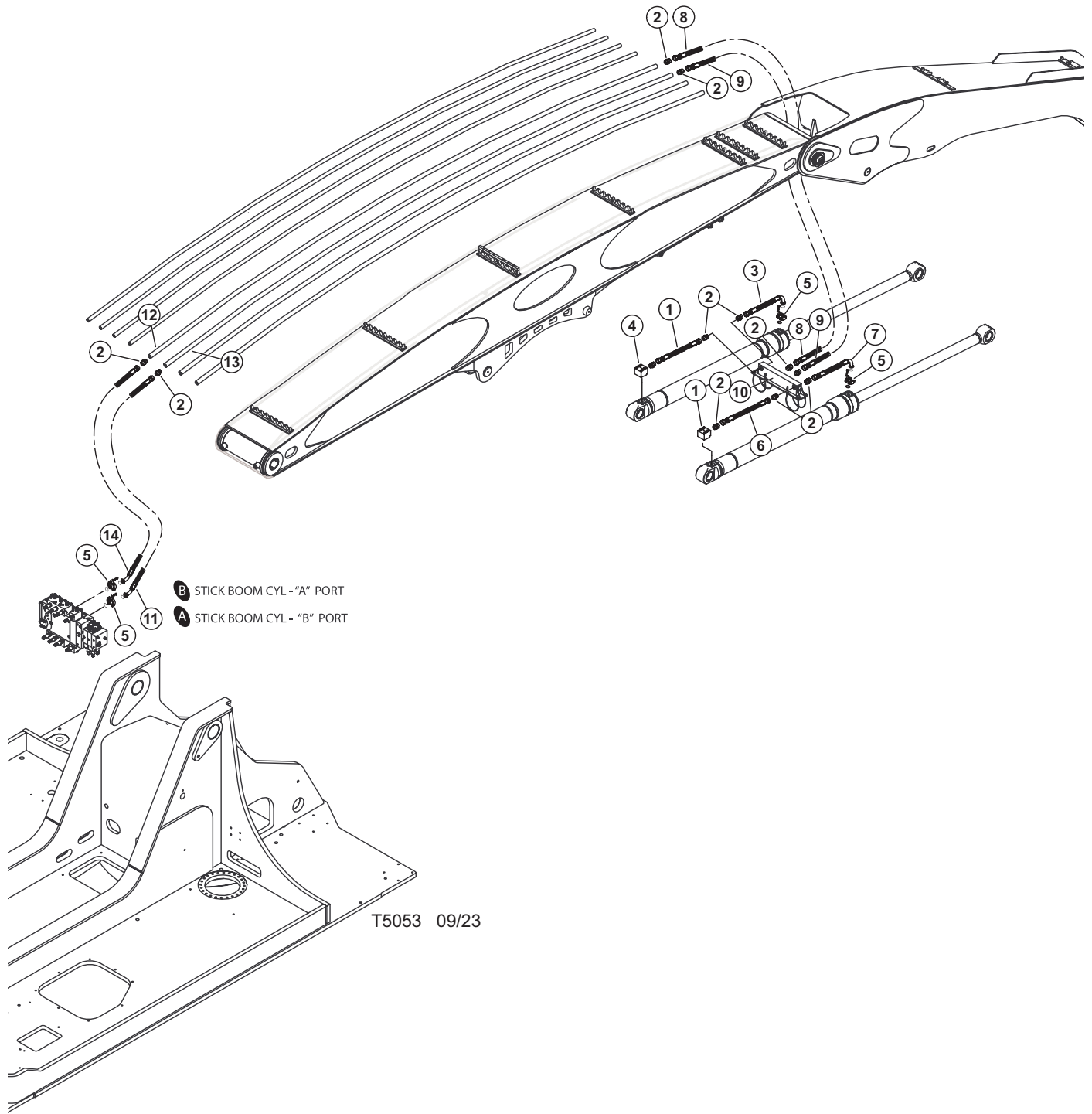
# LOG LOADER BOOM HYDRAULICS ASSEMBLY AND INSTALLATION

## MAIN BOOM CYLINDER HYDRAULICS - (UP TO SN. 1153)

REF	PART #	QTY	DESCRIPTION	SEE SECTION
1	(See Description)	1	HOSE ASSEMBLY - (P# 787TC47 12-12OS-12OS SW) (MAIN BOOM - LEFT CYLINDER - MANIFOLD TO CYL. BASE)	
2	15225	10	CONNECTOR, STR - FF1852T-1616S	
3	(See Description)	1	HOSE ASSEMBLY - (P# 787TC21.5 12-12OS-16PH9) (MAIN BOOM - LEFT CYLINDER - MANIFOLD TO CYL. ROD)	
4	57601	2	FLANGE, BLOCK ELBOW W184-16-16U CODE 62	
5	15113	6	KIT, SPLIT FLANGE - 1" (CODE 62)	
6	(See Description)	1	HOSE ASSEMBLY - (P# 787TC21.5 12-12OS-16PH9) (MAIN BOOM - RIGHT CYLINDER - MANIFOLD TO CYL. ROD)	
7	(See Description)	1	HOSE ASSEMBLY - (P# 3787TC47 12-12OS-12OS SW) (MAIN BOOM - RIGHT CYLINDER - MANIFOLD TO CYL. BASE)	
8	(See Description)	1	HOSE ASSEMBLY - (P# 787TC62 16-16OS-16OS SW) (Main Boom - BULKHEAD BRACKET (UPPER LEFT PORT) TO CYL. MANLFOLD (UPPER LEFT PORT)	
9	(See Description)	1	HOSE ASSEMBLY - (P# 787TC63.5 16-16OS-16OS SW) (Main Boom - BULKHEAD BRACKET (BOTTOM LEFT PORT) TO CYL. MANLFOLD (BOTTOM LEFT PORT)	
10	(See Description)	1	HOSE ASSEMBLY - (P# 787TC63.5 16-16OS-16OS SW) (Main Boom - BULKHEAD BRACKET (BOTTOM RIGHT PORT) TO CYL. MANLFOLD (BOTTOM RIGHT PORT)	
11	(See Description)	1	HOSE ASSEMBLY - (P# 787TC62 16-16OS-16OS SW) (Main Boom - BULKHEAD BRACKET (UPPER RIGHT PORT) TO CYL. MANLFOLD (UPPER RIGHT PORT)	
12	62567	1	PLATE, DUAL #20 BH MT	
13	50100	4	BOLT - .5" X 1.25"	
14	10804	4	WASHER, FLAT - .5" SAE	
15	(See Description)	1	HOSE ASSEMBLY - (P# 787TC85 16-16OS-16PH4) ("B" PORT ON MAIN CONTROL VALVE TO UPPER LEFT PORT ON BULKHEAD BRACKET	
16	(See Description)	1	HOSE ASSEMBLY - (P# 787TC81 16-16OS-16PH4) ("A" PORT ON MAIN CONTROL VALVE TO BOTTOM LEFT PORT ON BULKHEAD BRACKET	
17	(See Description)	1	HOSE ASSEMBLY - (P# 787TC81 16-16OS-16PH4) ("A" PORT ON MAIN CONTROL VALVE TO BOTTOM RIGHT PORT ON BULKHEAD BRACKET	
18	(See Description)	1	HOSE ASSEMBLY - (P# 787TC85 16-16OS-16PH4) ("B" PORT ON MAIN CONTROL VALVE TO UPPER TIGHT PORT ON BULKHEAD BRACKET	
19	15351	4	FITTING - BULKHEAD - 16-16	
20	62545	2	MANIFOLD - MAIN/STICK CYLINDER	

# LOG LOADER BOOM HYDRAULICS ASSEMBLY AND INSTALLATION

## STICK BOOM CYLINDER HYDRAULICS - (UP TO SN. 1153)



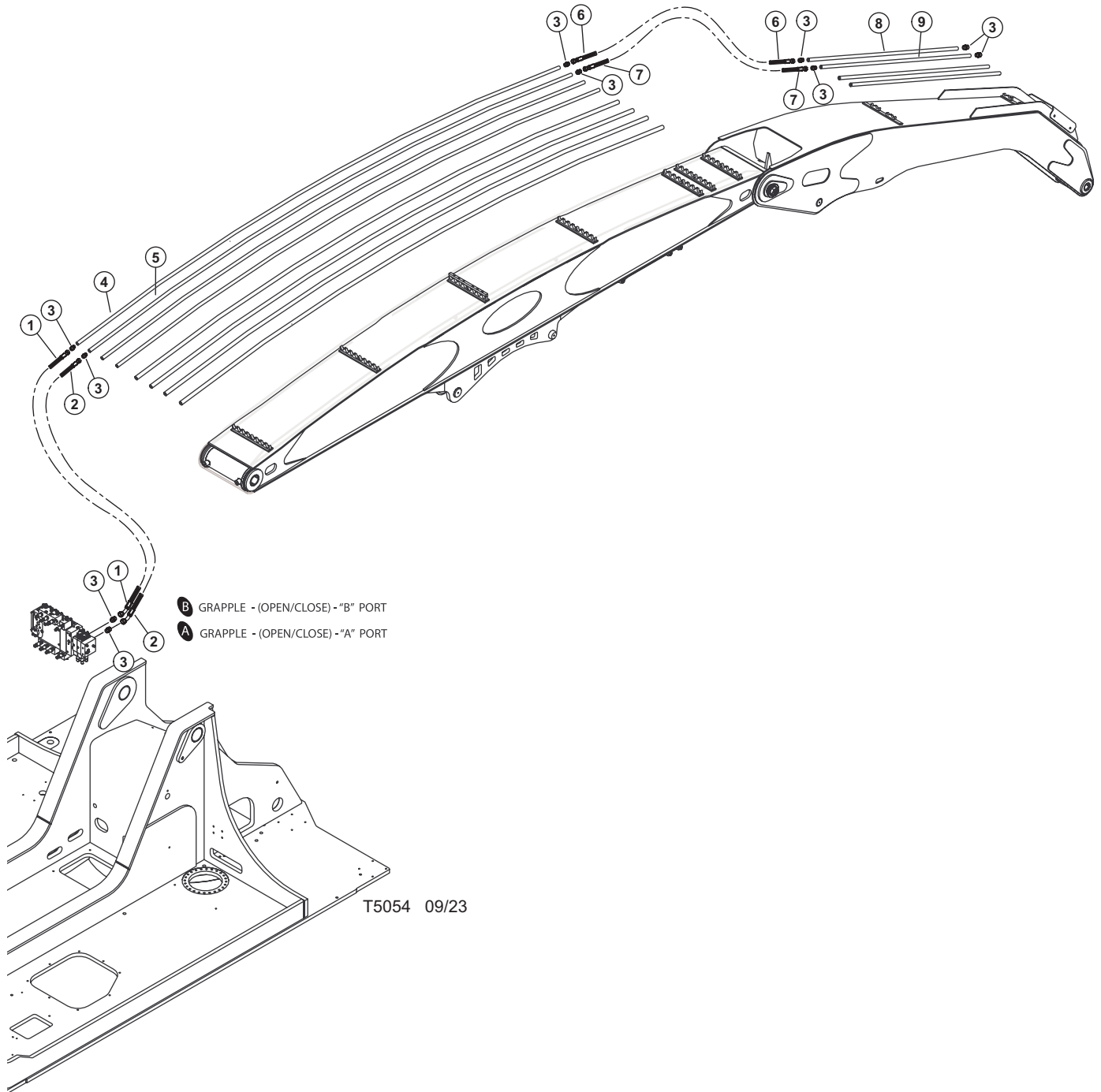
## LOG LOADER BOOM HYDRAULICS ASSEMBLY AND INSTALLATION

### STICK BOOM CYLINDER HYDRAULICS - (UP TO SN. 1153)

REF	PART #	QTY	DESCRIPTION	SEE SECTION
1	(See Description)	1	HOSE ASSEMBLY - (P# 787TC47 12-12OS-12OS SW) (STICK BOOM - LEFT CYLINDER - MANIFOLD TO CYL. BASE)	
2	15225	8	CONNECTOR, STR - FF1852T-1616S	
3	(See Description)	1	HOSE ASSEMBLY - (P# 787TC21.5 12-12OS-16PH9) (STICK BOOM - LEFT CYLINDER - MANIFOLD TO CYL. ROD)	
4	57601	2	FLANGE, BLOCK ELBOW W184-16-16U CODE 62	
5	15113	2	KIT, SPLIT FLANGE - 1" (CODE 62)	
6	(See Description)	1	HOSE ASSEMBLY - (P# 787TC47 12-12OS-12OS SW) (STICK BOOM - RIGHT CYLINDER - MANIFOLD TO CYL. BASE)	
7	(See Description)	1	HOSE ASSEMBLY - (P# 787TC21.5 12-12OS-16PH9) (STICK BOOM - RIGHT CYLINDER - MANIFOLD TO CYL. ROD)	
8	(See Description)	1	HOSE ASSEMBLY - (P# 787TC100 16-16OS-16OS SW) ("B" - Main to Stick Cylinder)	
9	(See Description)	1	HOSE ASSEMBLY - (P# 787TC100 16-16OS-16OS SW) ("A" - Main to Stick Cylinder)	
10	62545	2	MANIFOLD - MAIN/STICK CYLINDER	
11	(See Description)	1	HOSE ASSEMBLY - (P# 787TC66 16-16OS-16PH4) ("A" - MCV to Main Boom)	
12	62600	1	MAIN BOOM TUBELINES #16	
13	62600	1	MAIN BOOM TUBELINES #16	
14	(See Description)	1	HOSE ASSEMBLY - (P# 787TC68 16-16OS-16PH4) ("B" - MCV to Main Boom)	

# LOG LOADER BOOM HYDRAULICS ASSEMBLY AND INSTALLATION

## GRAPPLE OPEN/CLOSE BOOM HYDRAULICS - (UP TO SN. 1153)



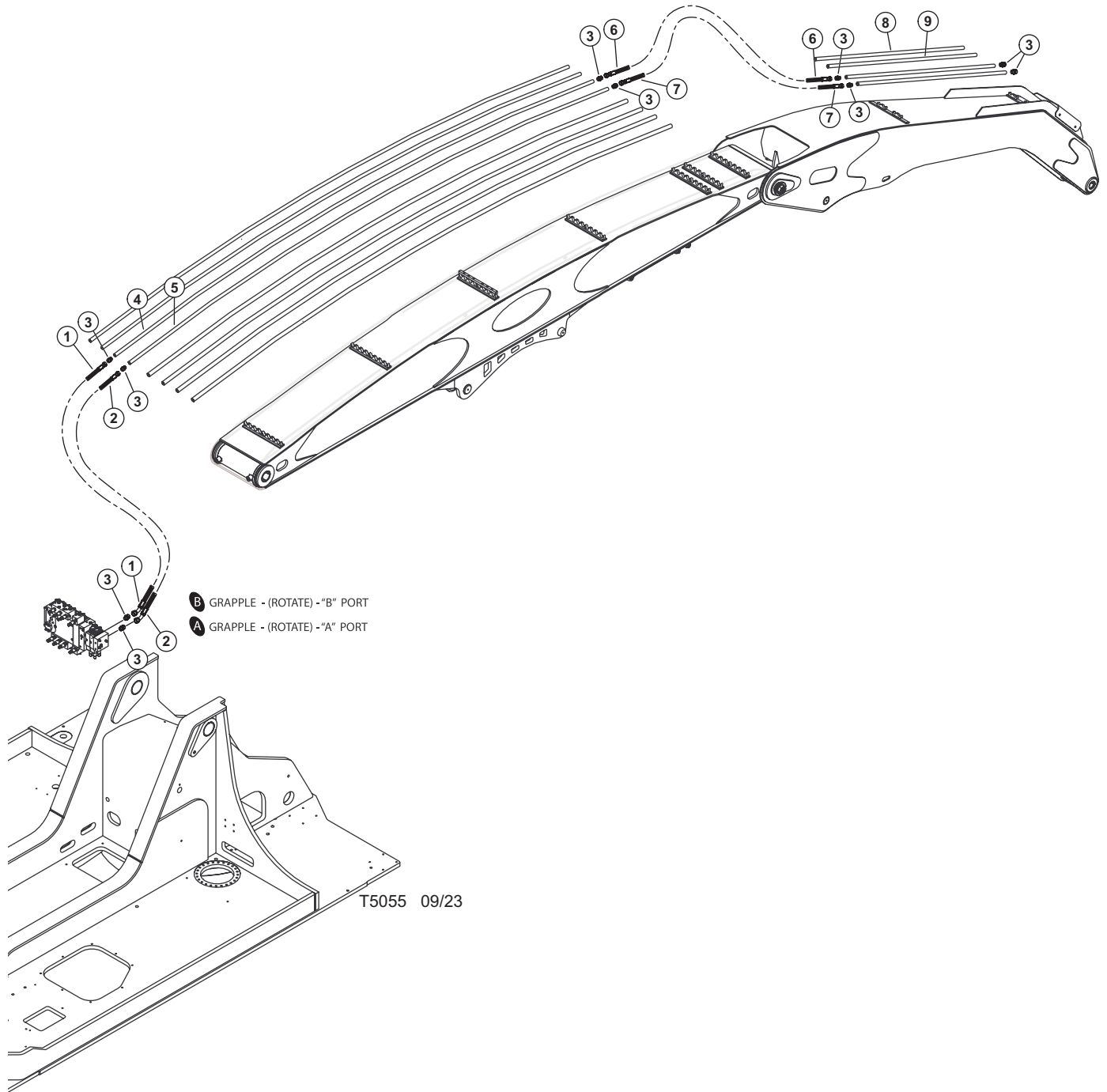
# LOG LOADER BOOM HYDRAULICS ASSEMBLY AND INSTALLATION

## GRAPPLE OPEN/CLOSE BOOM HYDRAULICS - (UP TO SN. 1153)

REF	PART #	QTY	DESCRIPTION	SEE SECTION
1	(See Description)	1	HOSE ASSEMBLY - (P# 787TC66 12-12OS-1204) ("B" - GRAPPLE OPEN/CLOSE FUNCTION)	
2	(See Description)	1	HOSE ASSEMBLY - (P# 787TC65 12-12OS-1204) ("A" - GRAPPLE OPEN/CLOSE FUNCTION))	
3	15152	10	CONNECTOR, STR - FF1852T-1212S	
4	62601	1	MAIN BOOM TUBELINES #12 ("B" - GRAPPLE OPEN/CLOSE FUNCTION)	
5	62601	1	MAIN BOOM TUBELINES #12 ("A" - GRAPPLE OPEN/CLOSE FUNCTION)	
6	(See Description)	1	HOSE ASSEMBLY - (P# 787TC56.5 12-12OS-120S) ("B" - GRAPPLE OPEN/CLOSE FUNCTION)	
7	(See Description)	1	HOSE ASSEMBLY - (P# 787TC56.5 12-12OS-120S) ("A" - GRAPPLE OPEN/CLOSE FUNCTION)	
8	66277	1	STICK BOOM TUBELINES #12 ("B" - GRAPPLE OPEN/CLOSE FUNCTION)	
9	66277	1	STICK BOOM TUBELINES #12 ("A" - GRAPPLE OPEN/CLOSE FUNCTION)	

# LOG LOADER BOOM HYDRAULICS ASSEMBLY AND INSTALLATION

## GRAPPLE ROTATE BOOM HYDRAULICS - (UP TO SN. 1153)





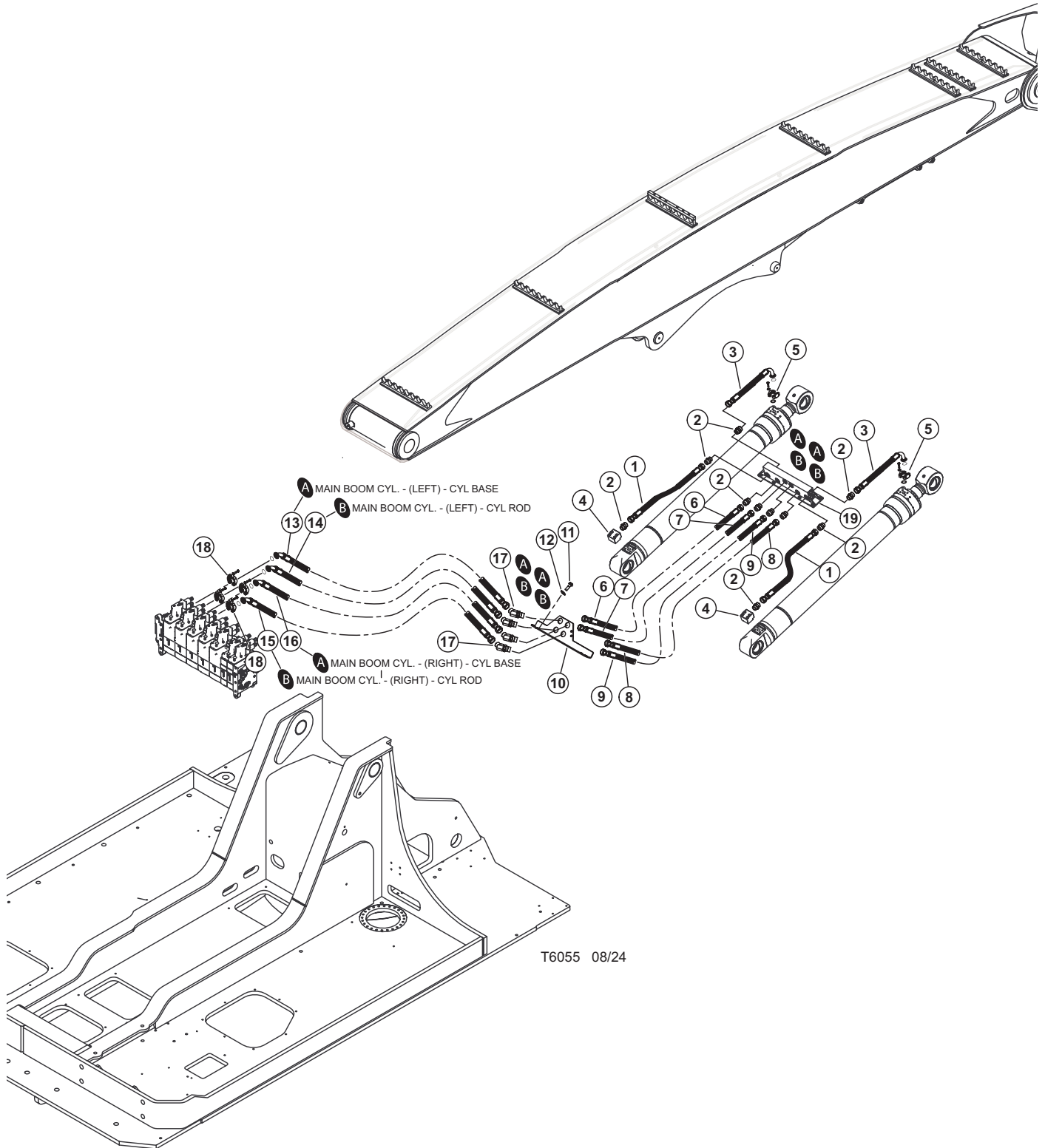
# LOG LOADER BOOM HYDRAULICS ASSEMBLY AND INSTALLATION

## GRAPPLE ROTATE BOOM HYDRAULICS - (UP TO SN. 1153)

REF	PART #	QTY	DESCRIPTION	SEE SECTION
1	(See Description)	1	HOSE ASSEMBLY - (P# 787TC66 12-12OS-1204) (GR B - GRAPPLE ROTATE FUNCTION)	
2	(See Description)	1	HOSE ASSEMBLY - (P# 787TC65 12-12OS-1204) (GR A - GRAPPLE ROTATE FUNCTION)	
3	15152	10	CONNECTOR, STR - FF1852T-1212S	
4	62601	1	MAIN BOOM TUBELINES #12 ("B" - GRAPPLE ROTATE FUNCTION)	
5	62601	1	MAIN BOOM TUBELINES #12 ("A" - GRAPPLE ROTATE FUNCTION)	
6	(See Description)	1	HOSE ASSEMBLY - (P# 787TC56.5 12-12OS-120S) ("B" - GRAPPLE ROTATE FUNCTION)	
7	(See Description)	1	HOSE ASSEMBLY - (P# 787TC56.5 12-12OS-120S) ("A" - GRAPPLE ROTATE FUNCTION)	
8	66277	1	STICK BOOM TUBELINES #12 ("B" - GRAPPLE ROTATE FUNCTION)	
9	66277	1	STICK BOOM TUBELINES #12 ("A" - GRAPPLE ROTATE FUNCTION)	

# LOG LOADER BOOM HYDRAULICS ASSEMBLY AND INSTALLATION

## MAIN BOOM CYLINDER HYDRAULICS - (W450/W300 VALVE) - (SN. 1154 AND FORWARD)



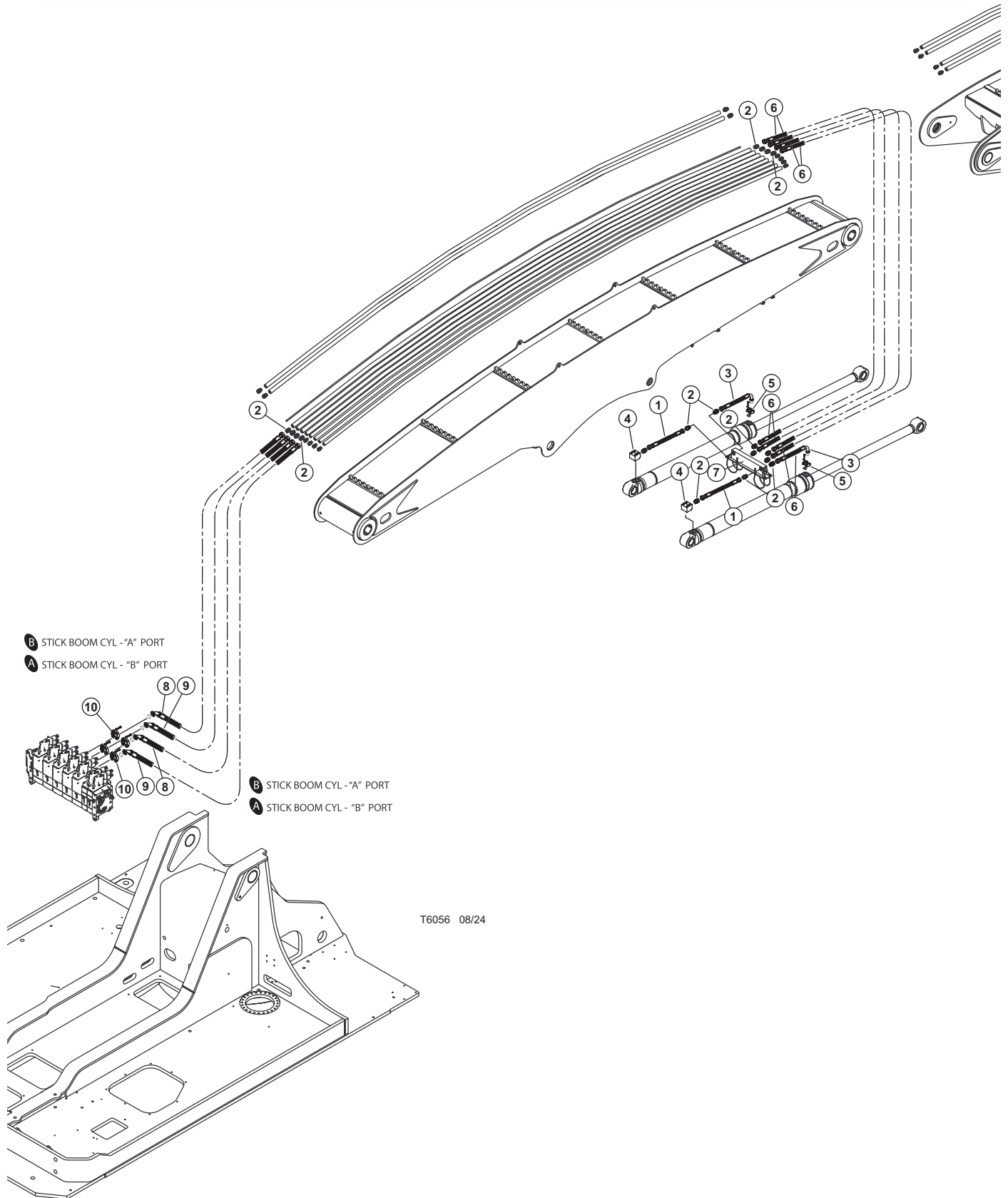
## LOG LOADER BOOM HYDRAULICS ASSEMBLY AND INSTALLATION

### MAIN BOOM CYLINDER HYDRAULICS - (W450/W300 VALVE) - (SN. 1154 AND FORWARD)

REF	PART #	QTY	DESCRIPTION	SEE SECTION
1	66626	2	HOSE ASSEMBLY - (P# 787TC49 16-16OS-16OS SW) (MAIN BOOM CYLINDERS - MANIFOLD TO CYL. BASE)	
2	15225	10	CONNECTOR, STR - FF1852T-1616S	
3	66627	2	HOSE ASSEMBLY - (P# 787TC21.5 16-16OS-16PH9) (MAIN BOOM CYLINDERS - MANIFOLD TO CYL. ROD)	
4	57601	2	FLANGE, BLOCK ELBOW W184-16-16U CODE 62	
5	15113	6	KIT, SPLIT FLANGE - 1" (CODE 62)	
6	(KIT - 65635)	1	HOSE ASSEMBLY - (P# 787TC62 16-16OS-16OS SW) (Main Boom - BULKHEAD BRACKET (UPPER LEFT PORT) TO CYL. MANLFOLD (UPPER LEFT PORT)	
7	(KIT - 65635)	1	HOSE ASSEMBLY - (P# 787TC63.5 16-16OS-16OS SW) (Main Boom - BULKHEAD BRACKET (BOTTOM LEFT PORT) TO CYL. MANLFOLD (BOTTOM LEFT PORT)	
8	(KIT - 65635)	1	HOSE ASSEMBLY - (P# 787TC63.5 16-16OS-16OS SW) (Main Boom - BULKHEAD BRACKET (BOTTOM RIGHT PORT) TO CYL. MANLFOLD (BOTTOM RIGHT PORT)	
9	(KIT - 65635)	1	HOSE ASSEMBLY - (P# 787TC62 16-16OS-16OS SW) (Main Boom - BULKHEAD BRACKET (UPPER RIGHT PORT) TO CYL. MANLFOLD (UPPER RIGHT PORT)	
10	62567	1	PLATE, DUAL #20 BH MT	
11	50100	4	BOLT - .5" X 1.25"	
12	10804	4	WASHER, FLAT - .5" SAE	
13	(KIT - 65635)	1	HOSE ASSEMBLY - (787TC85 16-16OS-20PH4-SW) ("B" PORT ON MAIN CONTROL VALVE TO UPPER LEFT PORT ON BULKHEAD BRACKET	
14	(KIT - 65635)	1	HOSE ASSEMBLY - (787TC81 16-16OS-20PH4-SW) ("A" PORT ON MAIN CONTROL VALVE TO BOTTOM LEFT PORT ON BULKHEAD BRACKET	
15	(KIT - 65635)	1	HOSE ASSEMBLY - (787TC81 16-16OS-20PH4-SW) ("A" PORT ON MAIN CONTROL VALVE TO BOTTOM RIGHT PORT ON BULKHEAD BRACKET	
16	(KIT - 65635)	1	HOSE ASSEMBLY - (787TC85 16-16OS-20PH4-SW) ("B" PORT ON MAIN CONTROL VALVE TO UPPER RIGHT PORT ON BULKHEAD BRACKET	
17	(CALL)	4	FITTING - BULKHEAD - 45°	
18	15111	2	KIT, SPLIT FLANGE CODE 61 1 INCH	
19	62545	2	MANIFOLD - MAIN CYLINDER	

# LOG LOADER BOOM HYDRAULICS ASSEMBLY AND INSTALLATION

## STICK BOOM CYLINDER HYDRAULICS - (W450/W300 VALVE) - (SN. 1154 AND FORWARD)



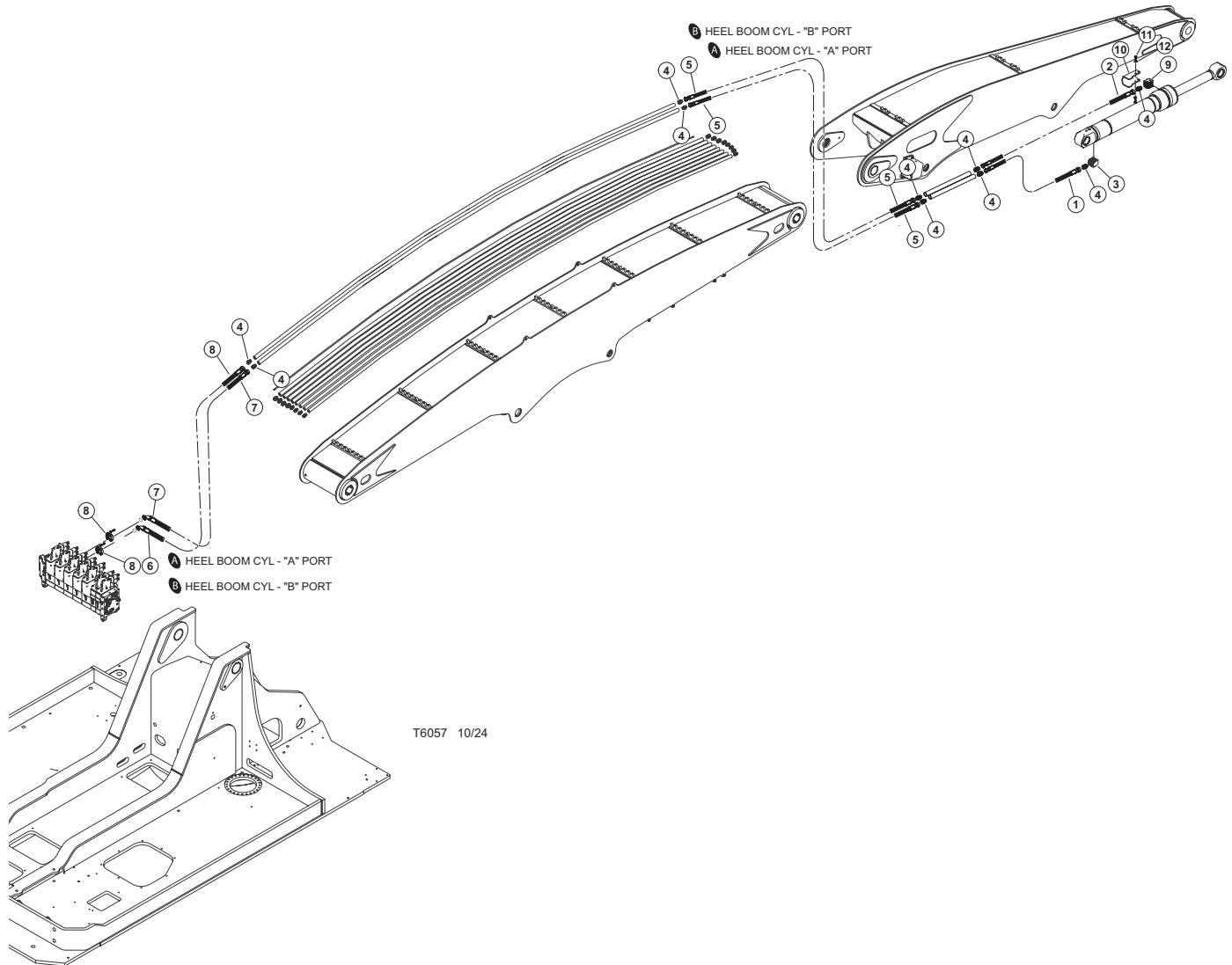
## LOG LOADER BOOM HYDRAULICS ASSEMBLY AND INSTALLATION

### STICK BOOM CYLINDER HYDRAULICS - (W450/W300 VALVE) - (SN. 1154 AND FORWARD)

REF	PART #	QTY	DESCRIPTION	SEE SECTION
1	66628	2	HOSE ASSEMBLY - (P# 787TC47 16-16OS-16OS-SW) (STICK BOOM CYLINDERS - MANIFOLD TO CYL. BASE)	
2	15225	14	CONNECTOR, STR - FF1852T-1616S	
3	66629	2	HOSE ASSEMBLY - (P# 787TC21.5 16-16OS-16PH9) (STICK BOOM CYLINDERS - MANIFOLD TO CYL. ROD)	
4	57601	2	FLANGE, BLOCK ELBOW W184-16-16U CODE 62	
5	15113	2	KIT, SPLIT FLANGE - 1" (CODE 62)	
6	66630	4	HOSE ASSEMBLY - (P# 787TC100 16-16OS-16OS-SW) (STICK BOOM CYLINDERS - MANIFOLD TO CYL. BASE)	
7	62545	2	MANIFOLD - MAIN/STICK CYLINDER	
8	(KIT - 65635)	2	HOSE ASSEMBLY - (P# 787TC68 16-16OS-20PH4) ("B" - MCV to Main Boom)	
9	(KIT - 65635)	2	HOSE ASSEMBLY - (P# 787TC66 16-16OS-20PH4) ("A" - MCV to Main Boom)	
10	15111	2	KIT, SPLIT FLANGE CODE 61 1 INCH	

# LOG LOADER BOOM HYDRAULICS ASSEMBLY AND INSTALLATION

## HEEL BOOM CYLINDER HYDRAULICS - (W450/W300 VALVE) - (SN. 1154 AND FORWARD)



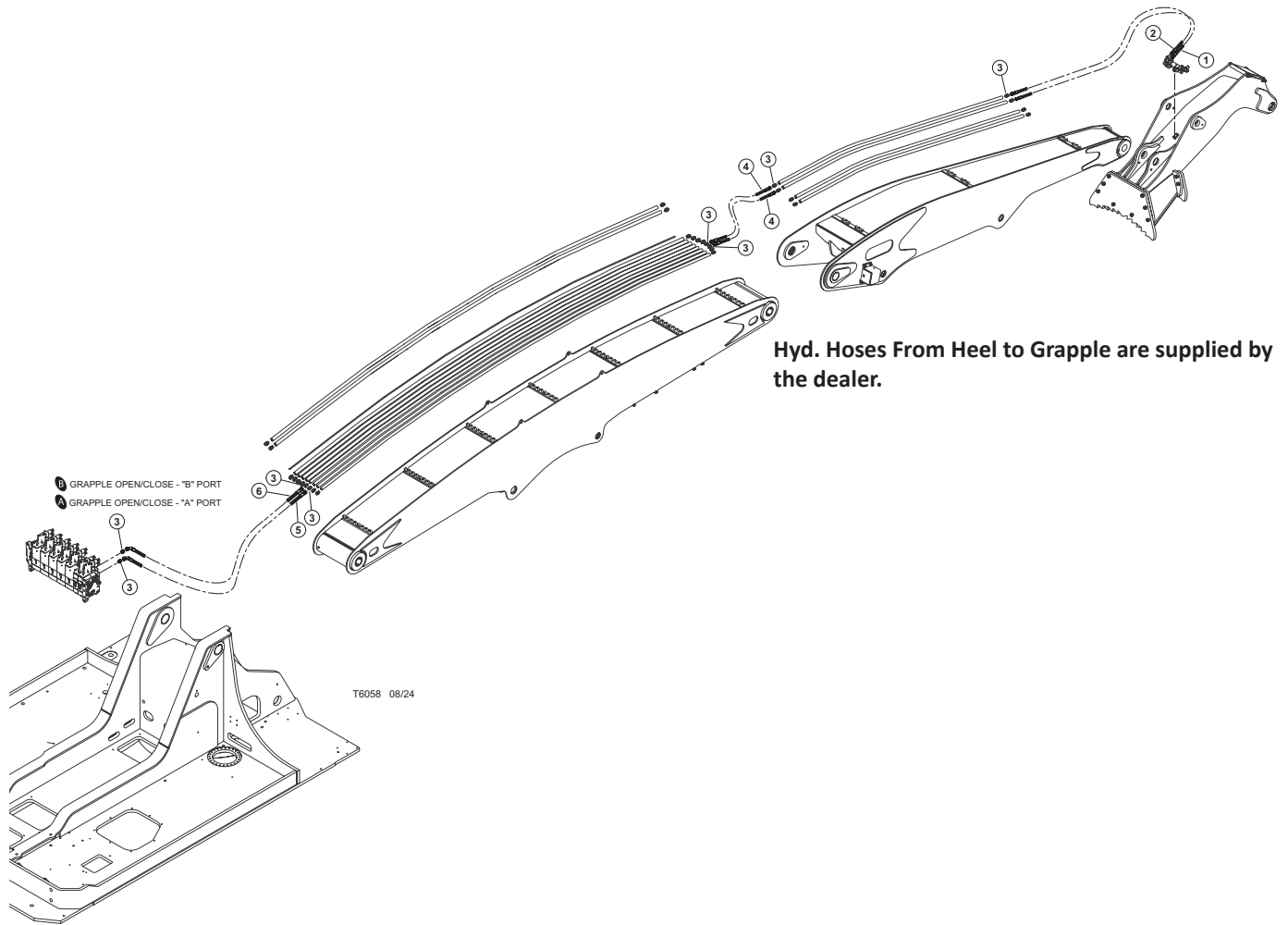
## LOG LOADER BOOM HYDRAULICS ASSEMBLY AND INSTALLATION

### HEEL BOOM CYLINDER HYDRAULICS - (W450/W300 VALVE) - (SN. 1154 AND FORWARD)

REF	PART #	QTY	DESCRIPTION	SEE SECTION
1	66634	1	HOSE ASSEMBLY - (787TC72 16-16OS-16OS-SW) (ARM TUBELINE TO HEEL CYLINDER ROD)	
2	66633	1	HOSE ASSEMBLY - (787TC122 16-16OS-16OS-SW) (ARM TUBELINE TO HEEL CYLINDER BASE)	
3	57601	2	FLANGE, BLOCK W184-16-16U CODE 62	
4	15225	10	CONNECTOR, STR - FF1852T-1616S	
5	66631	2	HOSE ASSEMBLY - (787TC65 16-16OS-16OS-SW) (MAIN BOOM TO ARM TUBELINES)	
6	(KIT - 65635)	1	HOSE ASSEMBLY - (787TC68 16-16OS-20PH4-SW) (VALVE TO MAIN BOOM - "B" PORT)	
7	(KIT - 65635)	1	HOSE ASSEMBLY - (787TC66 16-16OS-20PH4-SW) (VALVE TO MAIN BOOM - "A" PORT)	
8	15111	2	KIT, SPLIT FLANGE CODE 61 1 INCH	
9	58231	1	MANIFOLD, PORT BLOCK - TOOL TILT CYL.	
10	58232	1	GUARD, PORT BLOCK TOOL TILT CYL.	
11	50100	4	BOLT - .5" X 1.25"	
12	15534	4	WASHER, SAE FLAT - .5"	

# LOG LOADER BOOM HYDRAULICS ASSEMBLY AND INSTALLATION

## GRAPPLE OPEN/CLOSE HYDRAULICS - (W450/W300 VALVE) - (SN. 1154 AND FORWARD)





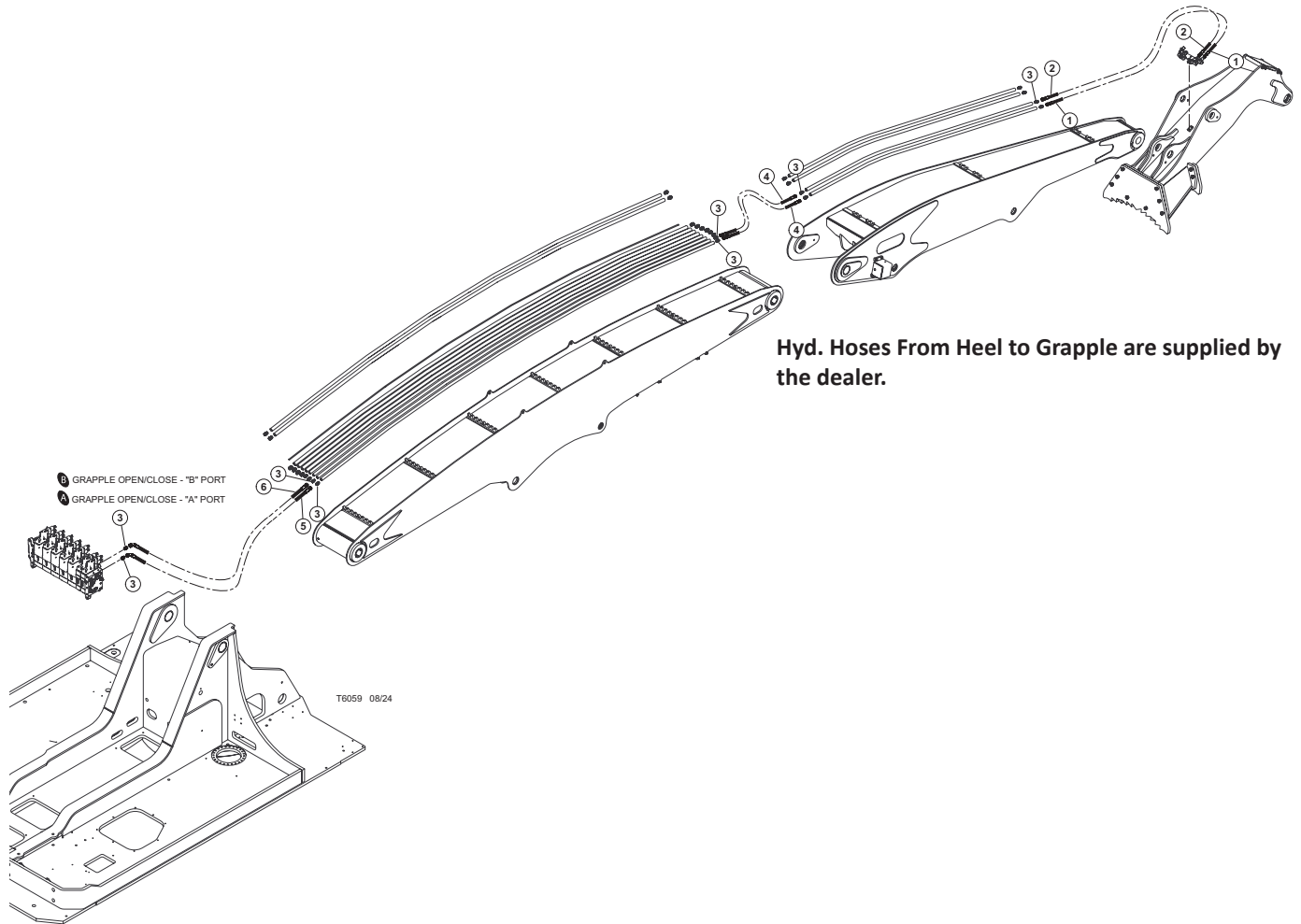
## LOG LOADER BOOM HYDRAULICS ASSEMBLY AND INSTALLATION

### GRAPPLE OPEN/CLOSE HYDRAULICS - (W450/W300 VALVE) - (SN. 1154 AND FORWARD)

REF	PART #	QTY	DESCRIPTION	SEE SECTION
1	66636	1	HOSE ASSEMBLY - 787TC72 12-12OS-12OS-SW (ARM TUBLINES TO TO HEEL - "A" PORT)	
2	66635	1	HOSE ASSEMBLY - 787TC67 12-12OS-12OS-SW (ARM TUBLINES TO TO HEEL - "B" PORT)	
3	15152	10	CONNECTOR, STR - FF1852T-1212S	
4	66632	2	HOSE ASSEMBLY - 787TC50 12-12OS-12OS-SW (MAIN BOOM TO ARM)	
5	(KIT - 65635)	1	HOSE ASSEMBLY - 787TC66 12-12OS-12O4-SW (VALVE TO BOOM - "A" PORT)	
6	(KIT - 65635)	1	HOSE ASSEMBLY - 787TC65 12-12OS-12O4-SW (VALVE TO BOOM - "B" PORT)	

# LOG LOADER BOOM HYDRAULICS ASSEMBLY AND INSTALLATION

## GRAPPLE ROTATE HYDRAULICS - (W450/W300 VALVE) - (SN. 1154 AND FORWARD)



## LOG LOADER BOOM HYDRAULICS ASSEMBLY AND INSTALLATION

### GRAPPLE ROTATE HYDRAULICS - (W450/W300 VALVE) - (SN. 1154 AND FORWARD)

REF	PART #	QTY	DESCRIPTION	SEE SECTION
1	66636	1	HOSE ASSEMBLY - 787TC72 12-12OS-12OS-SW (ARM TUBLINES TO TO HEEL - "A" PORT)	
2	66635	1	HOSE ASSEMBLY - 787TC67 12-12OS-12OS-SW (ARM TUBLINES TO TO HEEL - "B" PORT)	
3	15152	10	CONNECTOR, STR - FF1852T-1212S	
4	66632	2	HOSE ASSEMBLY - 787TC50 12-12OS-12OS-SW (MAIN BOOM TO ARM)	
5	(KIT - 65635)	1	HOSE ASSEMBLY - 787TC66 12-12OS-12O4-SW (VALVE TO BOOM - "A" PORT)	
6	(KIT - 65635)	1	HOSE ASSEMBLY - 787TC65 12-12OS-12O4-SW (VALVE TO BOOM - "B" PORT)	

