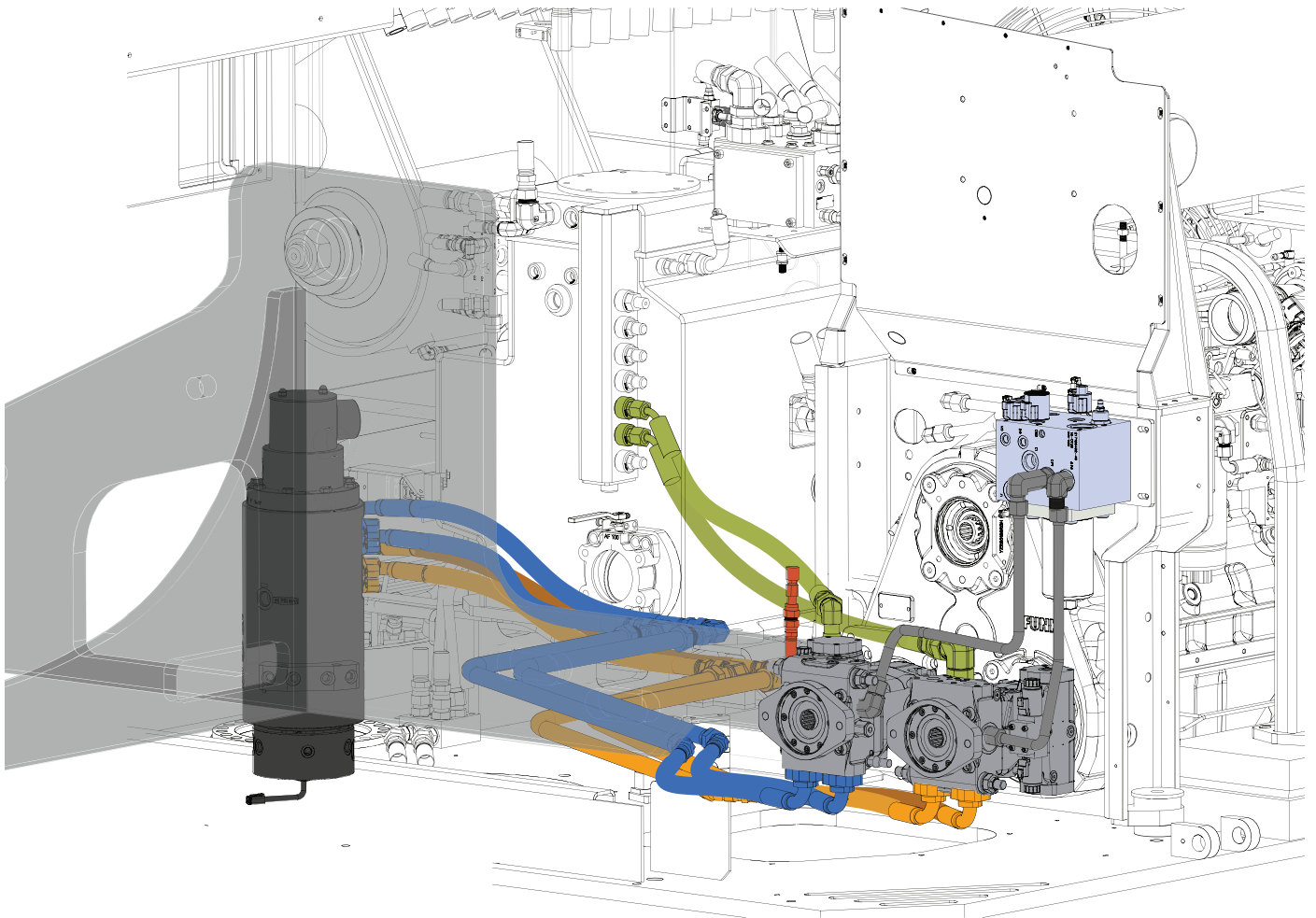


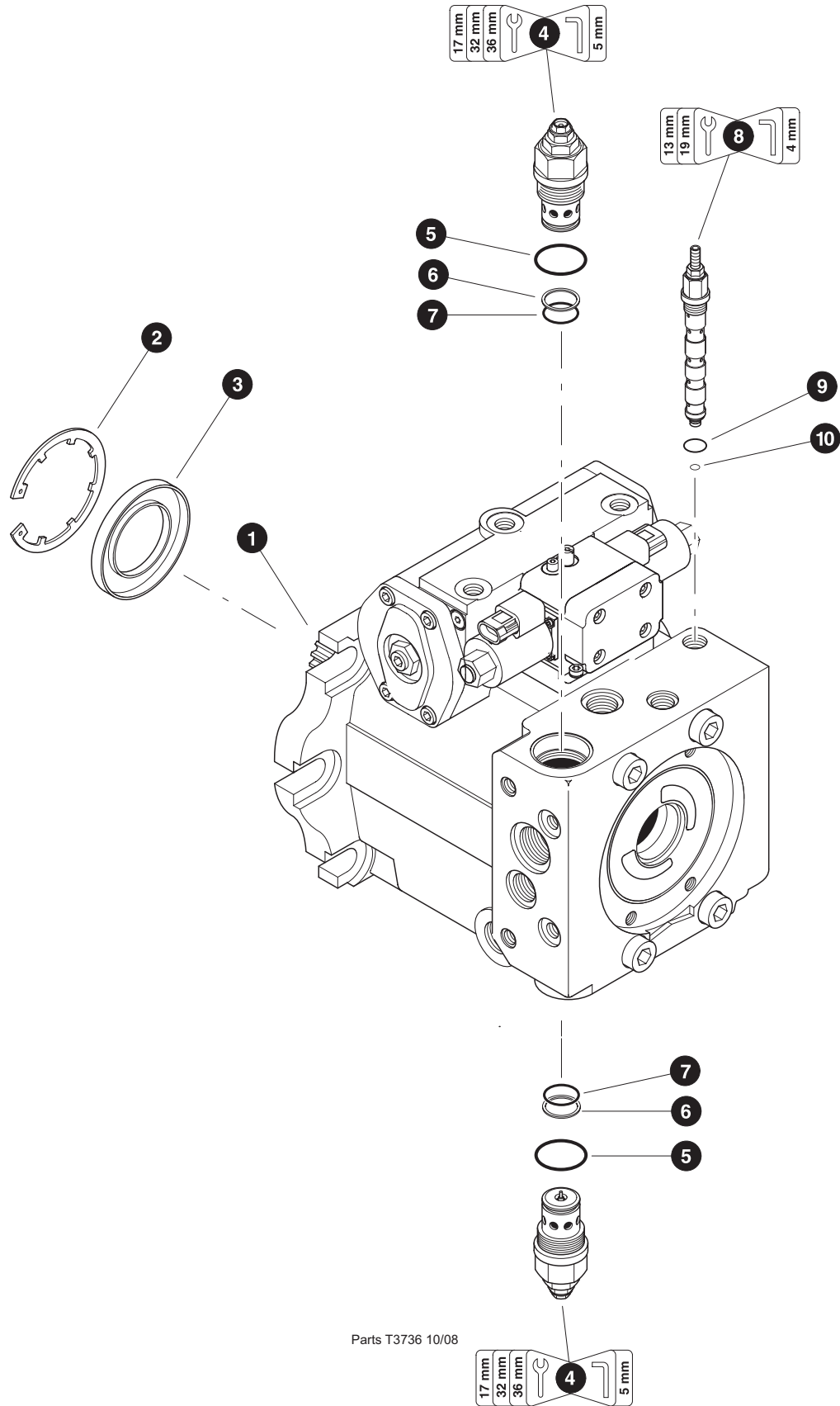
SECTION DH-1

TRACK DRIVE PUMP COMPONENTS



TRACK DRIVE PUMP - AA4VG90

FORWARD CAST HOUSING COMPONENTS - (COMMON)

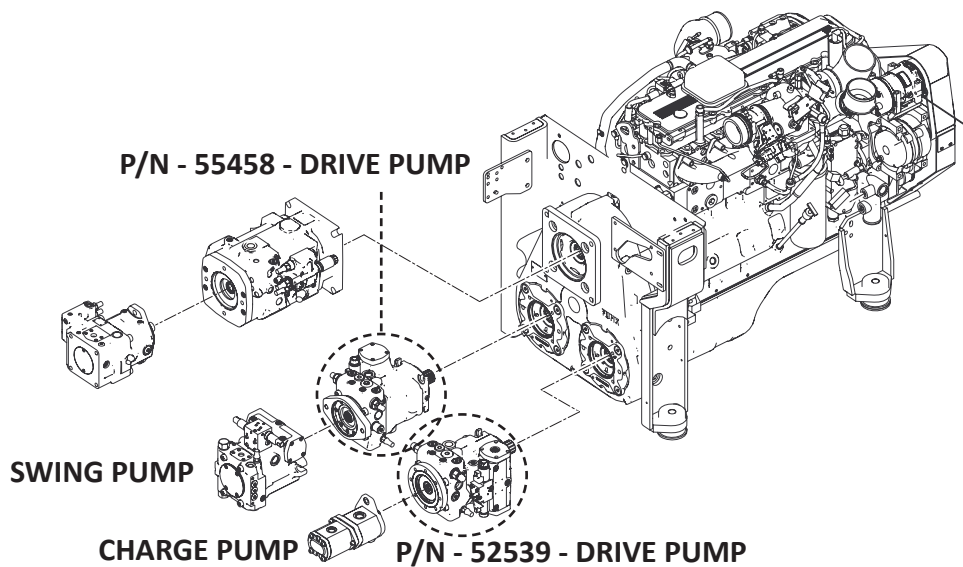


TRACK DRIVE PUMP - AA4VG90 FORWARD CAST HOUSING COMPONENTS - (COMMON)

REF	PART #	QTY	DESCRIPTION	SEE SECTION
1	55458	1	PUMP, TRACK DRIVE - VTG90 - (SEE ILLUSTRATION BELOW)	
	52539	1	PUMP, TRACK DRIVE - VTG90 - (SEE ILLUSTRATION BELOW)	
2	53726	1	RING, seal retaining	
3	53727	1	SEAL, shaft	
4	53724	2	CARTRIDGE, high pressure relief valve	
5	(CALL)	1	O-RING, HPRV cartridge (Body)	
6	(CALL)	1	RING, back-up - HPRV cartridge (Chamber)	
7	(CALL)	1	O-RING, HPRV cartridge (Chamber)	
8	53725	1	CARTRIDGE, POR relief valve	
9	(CALL)	1	O-RING, POR relief valve cartridge (Body)	
10	(CALL)	1	O-RING, POR relief valve cartridge (Chamber)	
-	53640	1	KIT, SEAL REPAIR -TRACK DRIVE PUMP-VTG90	

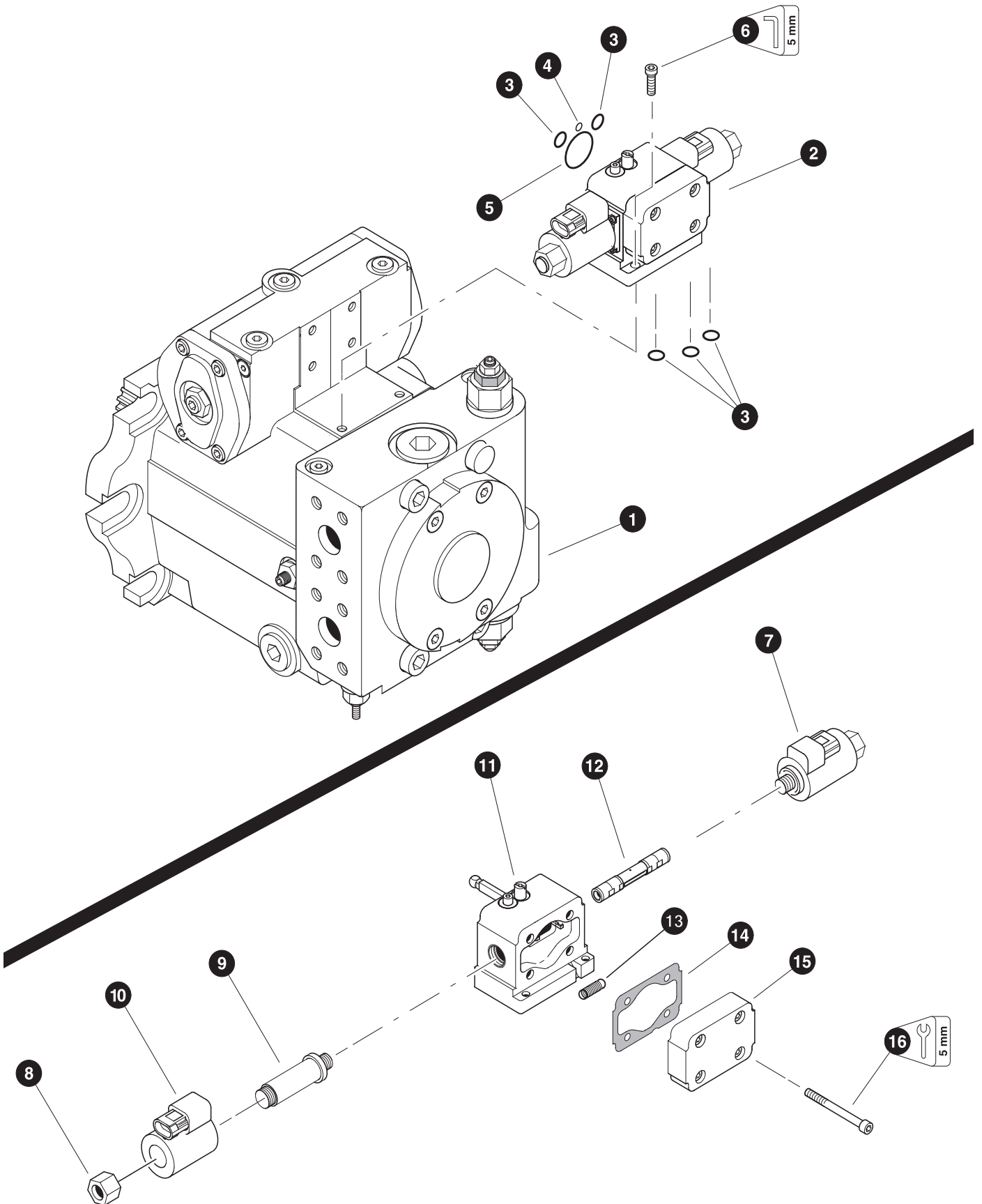
Note:

Due to warranty policy restrictions imposed by TimberPro's component suppliers, it is not recommended that the component be disassembled further than is shown in the illustration.



TRACK DRIVE PUMP - AA4VG90

STROKE CONTROL ASSEMBLY - (COMMON)



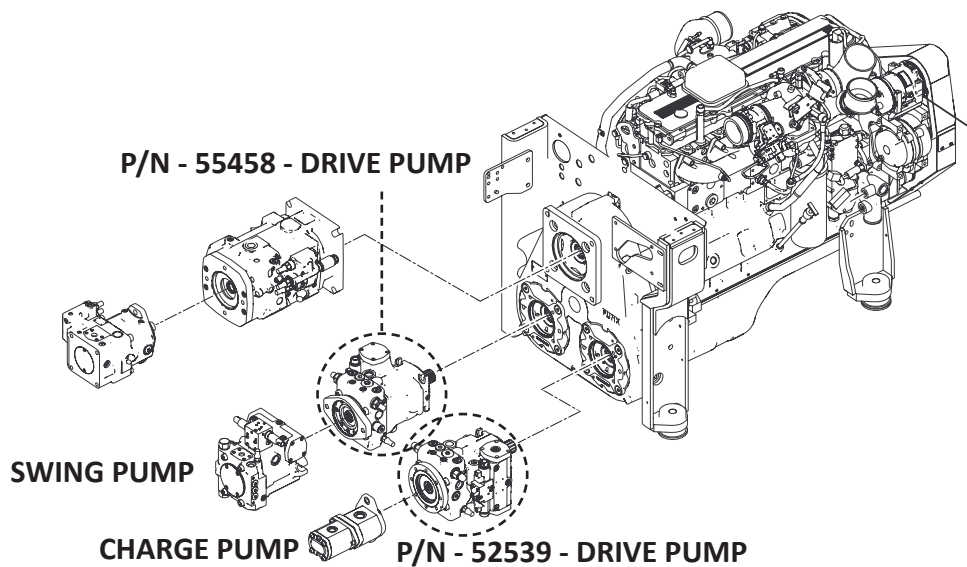
TRACK DRIVE PUMP - AA4VG90

STROKE CONTROL ASSEMBLY - (COMMON)

REF	PART #	QTY	DESCRIPTION	SEE SECTION
1	55458	1	PUMP, TRACK DRIVE - VTG90 - (SEE ILLUSTRATION BELOW)	
	52539	1	PUMP, TRACK DRIVE - VTG90 - (SEE ILLUSTRATION BELOW)	
2	53729	1	VALVE, STROKE CONTROL - AA4VG90 24V	
3	(CALL)	5	O-RING, stroke control	
4		1	O-RING, stroke control	
5		1	O-RING, stroke control	
6	(CALL)	2	BOLT, allen head - 6mm x 20mm	
7	53730	2	SOLENOID, CONTROL Assembly - AA4VG90	
8	(CALL)	2	NUT, coil stem	
9		2	COIL STEM	
10		2	COIL, solenoid - 24V	
11		1	CONTROL MODULE - AA4VG90 24V	
12		1	CONTROL PISTON	
13		1	SPRING, stroke centering	
14		1	GASKET	
15		1	COVER	
16	(CALL)	4	BOLT, allen head - 6mm	
-	53640	1	KIT, SEAL REPAIR -TRACK DRIVE PUMP-VTG90	

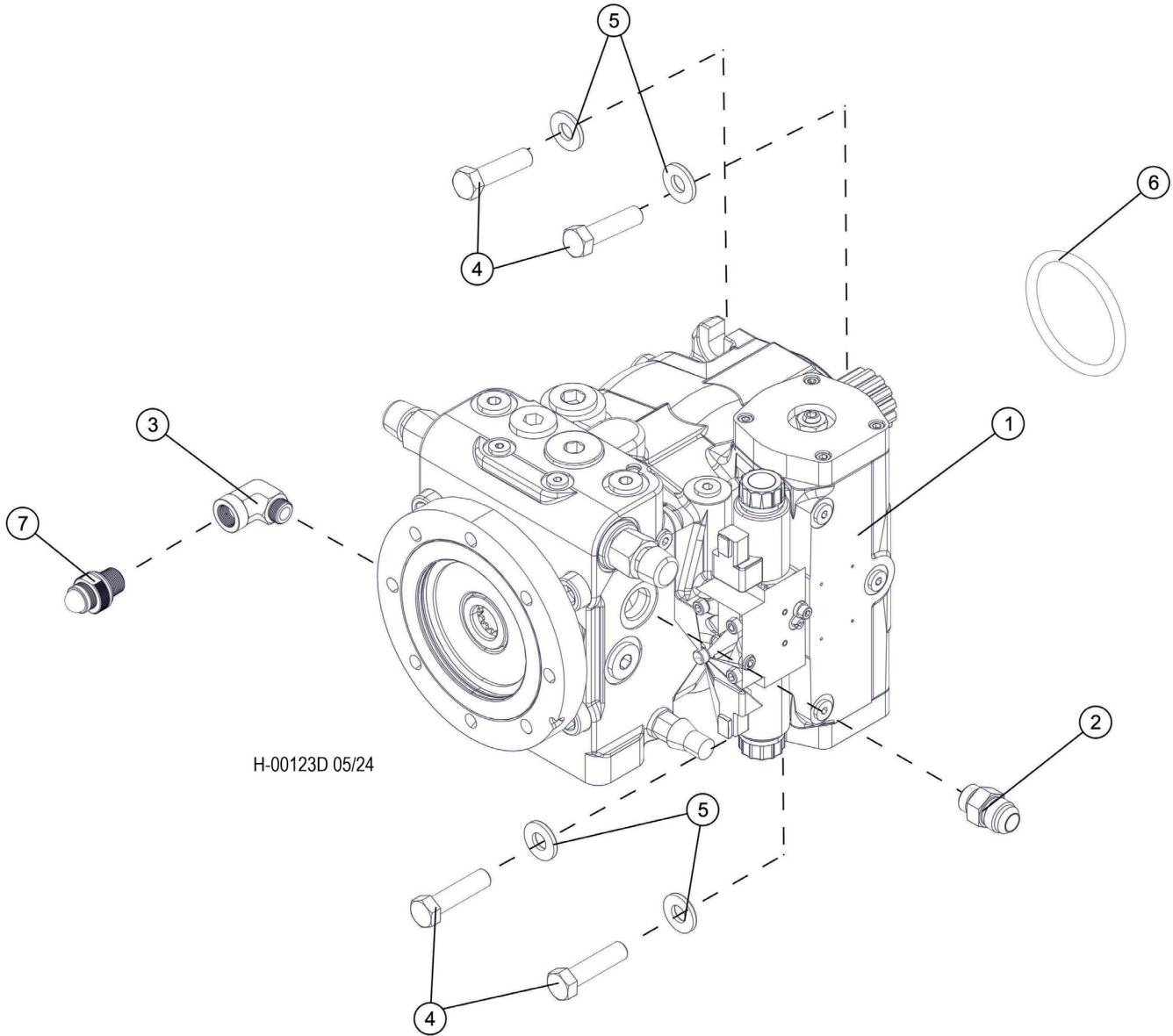
NOTE:

Due to warranty policy restrictions imposed by TimberPro's component suppliers, it is not recommended that the component be disassembled further than is shown in the illustration.

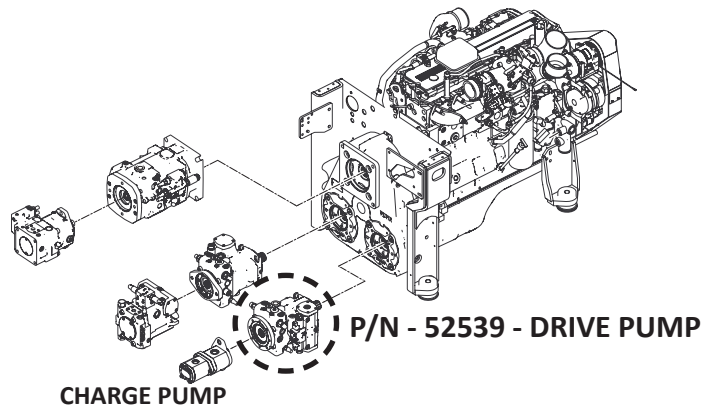


TRACK DRIVE PUMP - AA4VG90

PUMP INSTALLATION COMPONENTS



H-00123D 05/24

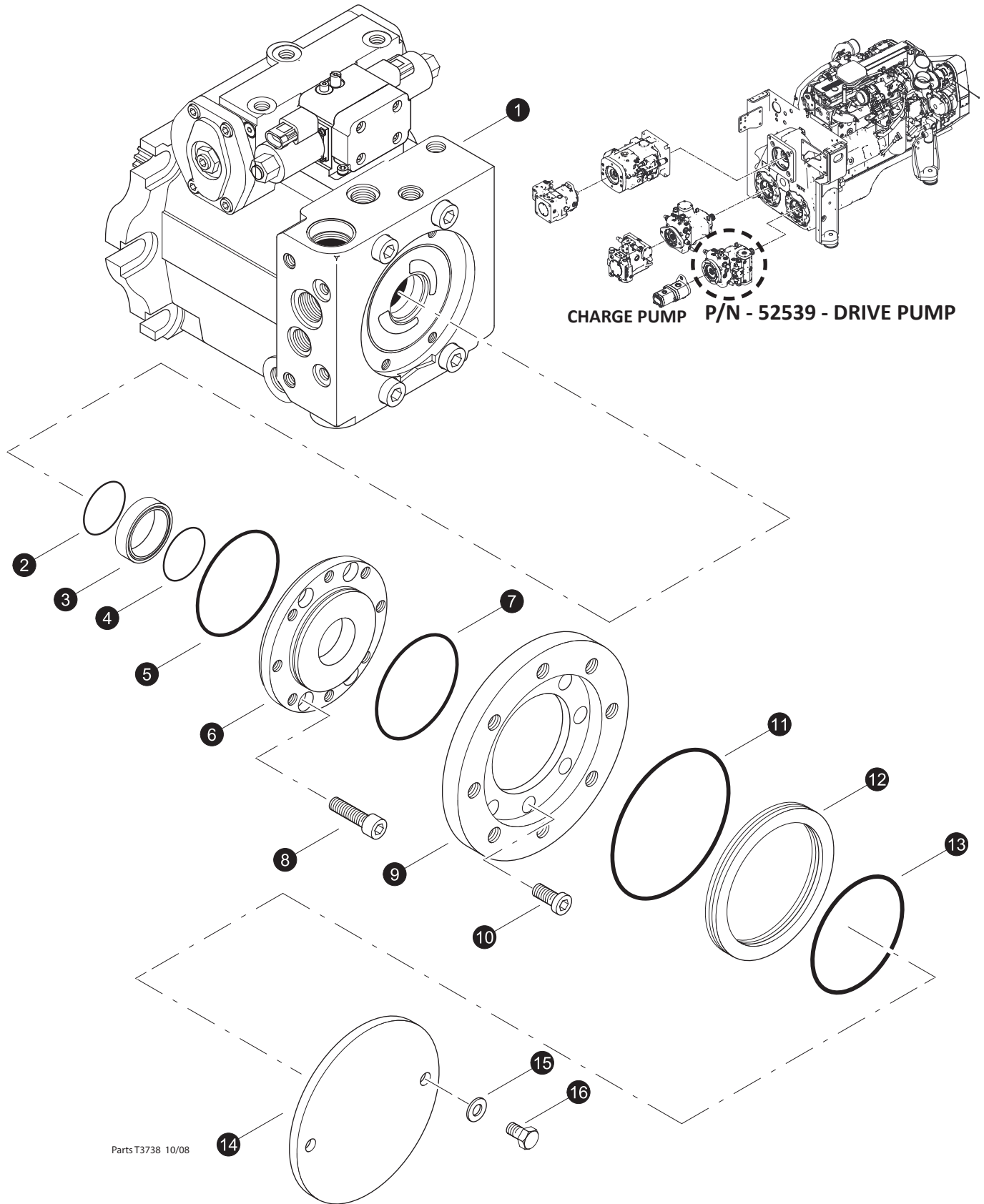


TRACK DRIVE PUMP - AA4VG90

PUMP INSTALLATION COMPONENTS

	REF	PART #	QTY	DESCRIPTION	SEE SECTION
1	52539		1	PUMP, TRACK DRIVE - VTG90	
2	15494		1	CONNECTOR, STR - 6400-12-10	
3	57641		1	FITTING, EBLOW - FEMALE 4-AOEG5-S	
4	50100		4	BOLT - .5" X 1.25"	
5	15534		4	WASHER, SAE FLAT - .5"	
6	53718		4	ORING, TRACK DRIVE PUMP PILOT	
7	57819		1	TAP, GAUGE PORT - #4 SAE ORING BOSS- ST	

TRACK DRIVE PUMP - AA4VG90 THRU DRIVE COMPONENTS



TRACK DRIVE PUMP - AA4VG90 THRU DRIVE COMPONENTS

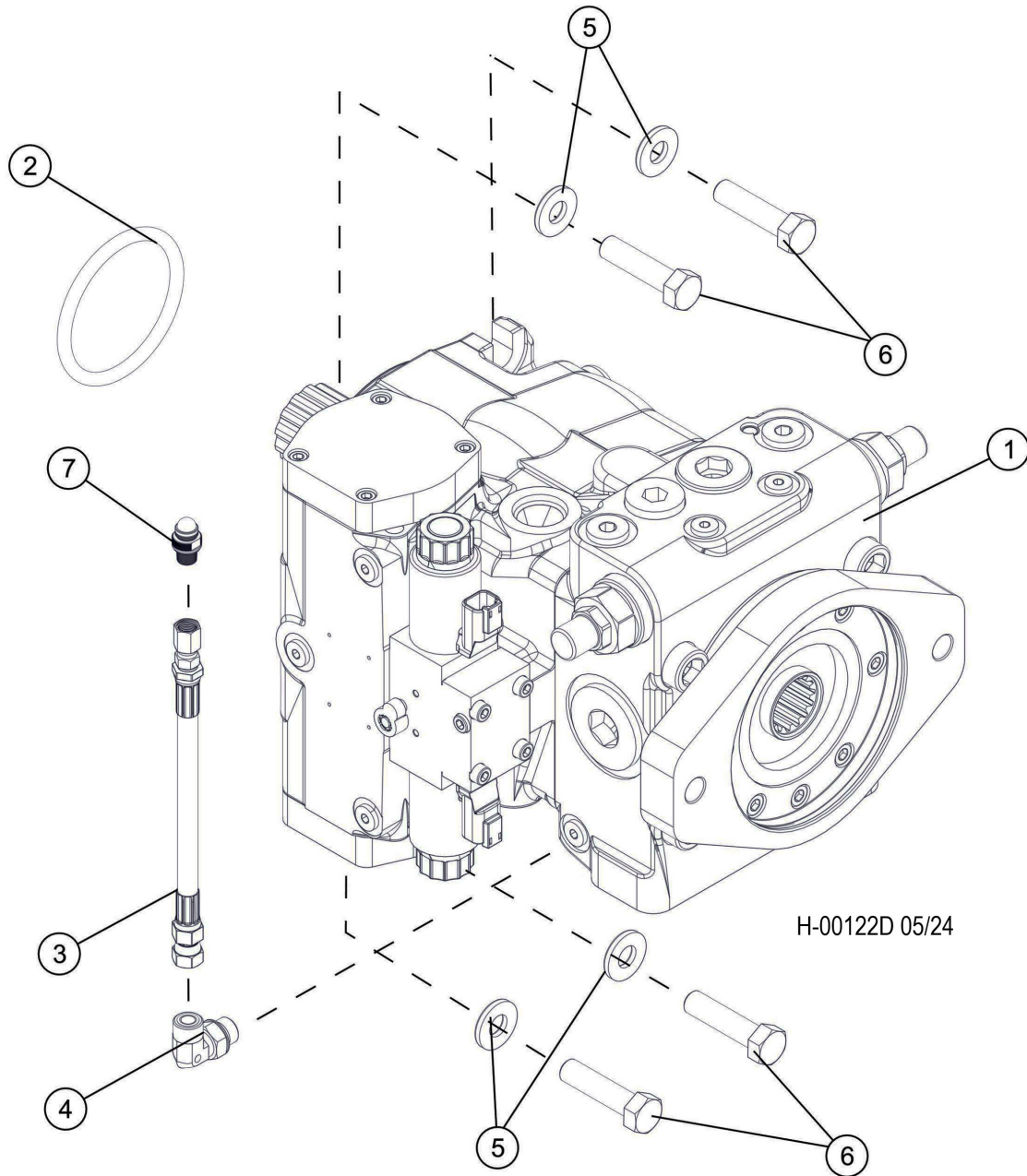
	REF	PART #	QTY	DESCRIPTION	SEE SECTION
1	52539	1		PUMP, TRACK DRIVE - VTG90	
2	(CALL)	1		O-Ring	
3	(CALL)	1		SEAL RING	
4	(CALL)	1		O-Ring	
5	21624	1		O-RING, CHARGE PUMP PILOT (AA4VG90)	
6	(CALL)	1		COVER, Pump AA4VG90	
7	57807	1		ORING, THRU-DRIVE 52539 POS 1	
8	(CALL)	4		Bolt	
9	(CALL)	1		FLANGE, Intermediate	
10	(CALL)	6		Bolt	
11	57808	1		ORING, THRU-DRIVE 52539 POS 2	
12	(CALL)	1		RING, Centering	
13	57809	1		ORING, THRU-DRIVE 52539 POS 3	
14	(CALL)	1		COVER, THRU DRIVE - REXROTH	
15	18040	2		WASHER, flat - .5"	
16	10783	2		BOLT - .5" X 1"	
-	53640	1		KIT, SEAL REPAIR - TRACK DRIVE PUMP-VTG90	

NOTE:

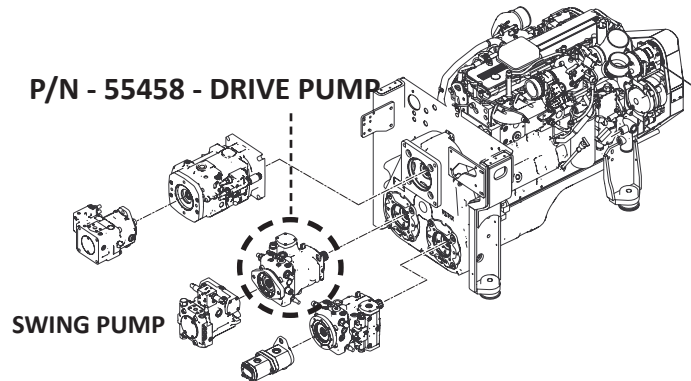
Due to warranty policy restrictions imposed by TimberPro's component suppliers, it is not recommended that the component be disassembled further than is shown in the illustration.

TRACK DRIVE PUMP - AA4VG90

PUMP INSTALLATION COMPONENTS



H-00122D 05/24

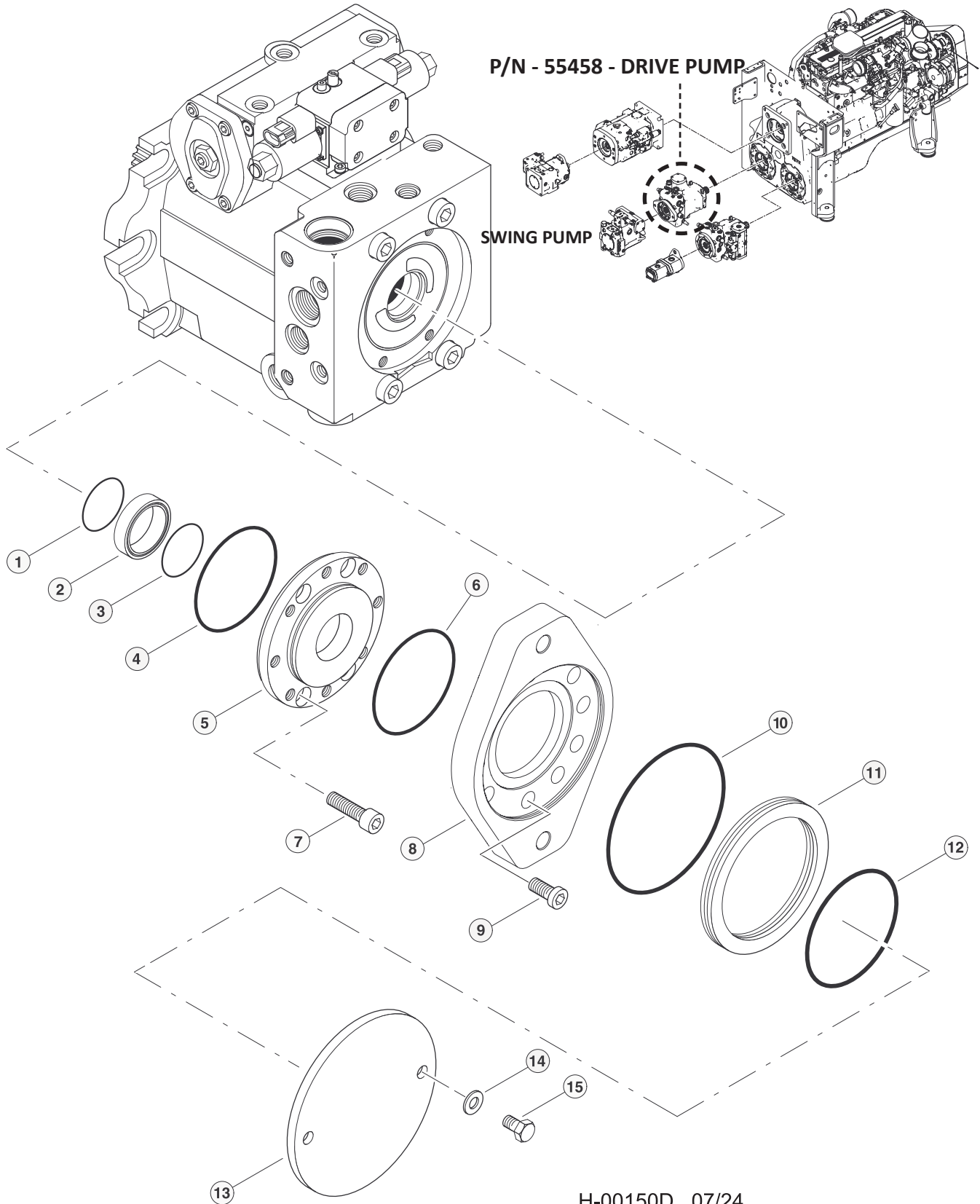


TRACK DRIVE PUMP - AA4VG90

PUMPS INSTALLATION COMPONENTS

	REF	PART #	QTY	DESCRIPTION	SEE SECTION
1	55458		1	PUMP, TRACK DRIVE - (VTG90)	
2	53718		1	O-RING, TRACK DRIVE PUMP PILOT	
3	58063		1	HOSE, GAUGE PORT EXTENSION	
4	16540		1	ELBOW, 90 - FF1868T-0404S	
5	15534		4	WASHER, SAE FLAT - .5"	
6	50100		4	BOLT - .5" X 1.25"	
7	57819		1	TAP, GAUGE PORT - #4 SAE ORING BOSS- ST	

TRACK DRIVE PUMP - AA4VG90 THRU DRIVE COMPONENTS



H-00150D 07/24

TRACK DRIVE PUMP - AA4VG90 THRU DRIVE COMPONENTS

	REF	PART #	QTY	DESCRIPTION	SEE SECTION
	55458		1	PUMP, TRACK DRIVE - VTG90	
1	(CALL)		1	O-RING	
2	(CALL)		1	SEAL RING	
3	(CALL)		1	O-RING	
4	21624		1	O-RING, CHARGE PUMP PILOT (AA4VG90)	
5	(CALL)		1	COVER, PUMP AA4VG90	
6			1	ORING, THRU-DRIVE 52539 POS 1	
7			4	BOLT	
8			1	FLANGE, INTERMEDIATE	
9	(CALL)		6	BOLT	
10	57808		1	ORING, THRU-DRIVE 52539 POS 2	
11	(CALL)		1	RING, CENTERING	
12	57809		1	ORING, THRU-DRIVE 52539 POS 3	
13	18414		1	COVER, THRU DRIVE - REXROTH	
14	18040		2	WASHER, FLAT - .5"	
15	10733		2	BOLT - .5" X 1"	
	53640		1	KIT, SEAL REPAIR -TRACK DRIVE PUMP	

THIS PAGE LEFT BLANK FOR NOTES
