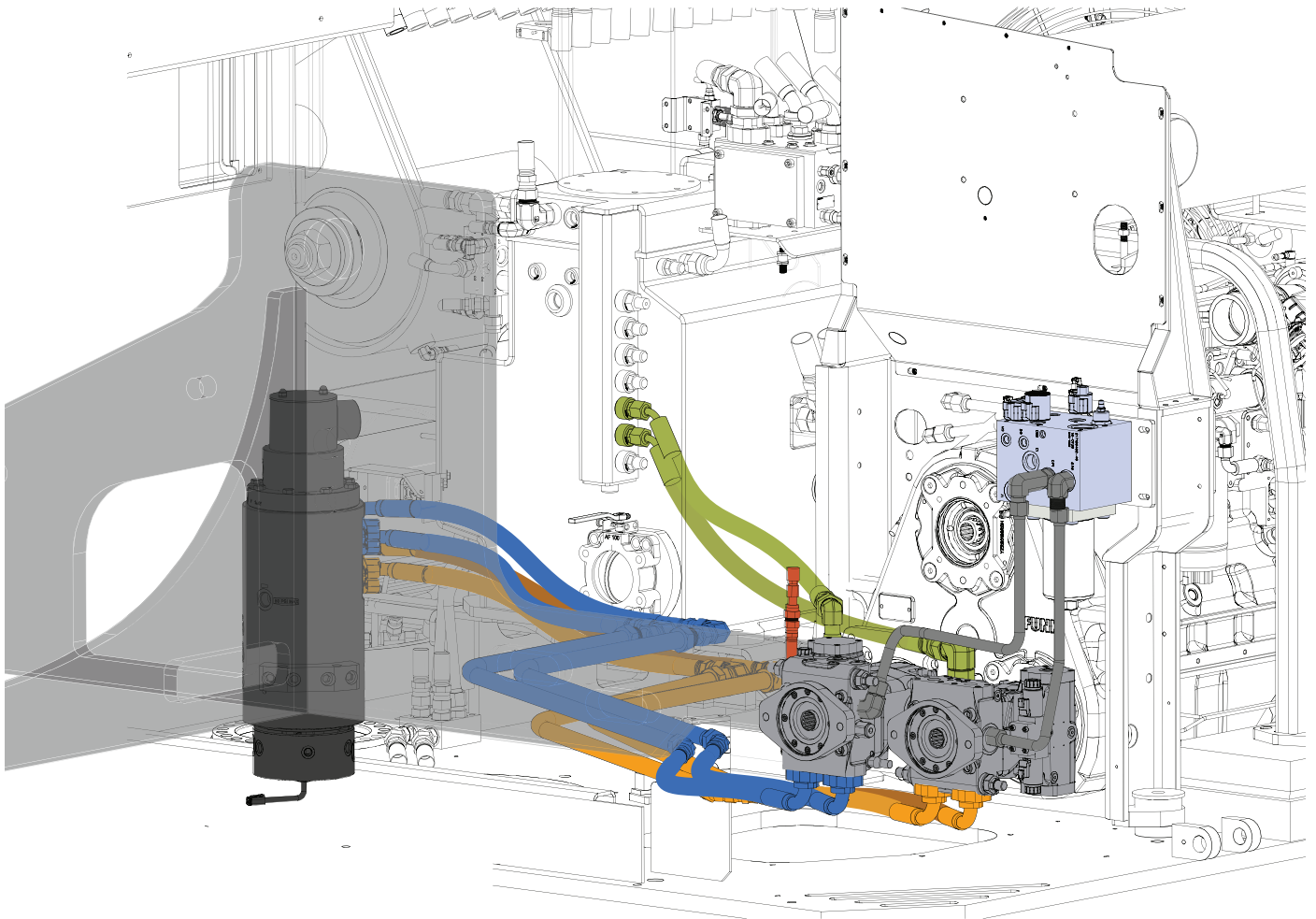


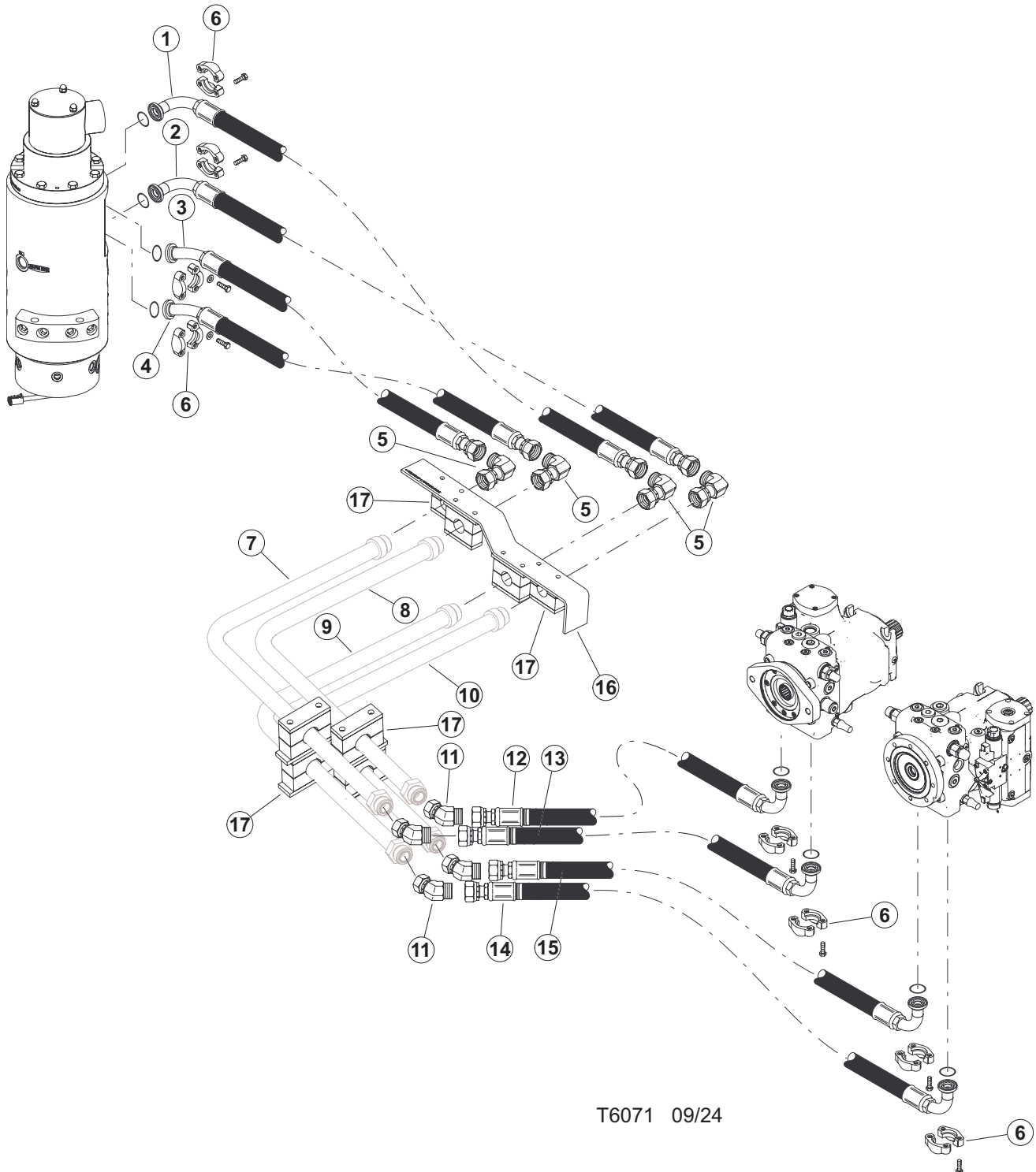
SECTION DH-2

TRACK DRIVE HYDRAULICS SYSTEM ASSEMBLY AND INSTALLATION



DRIVE HYDRAULICS SYSTEM ASSEMBLY AND INSTALLATION

UPPER DRIVELINE INSTALLATION



T6071 09/24

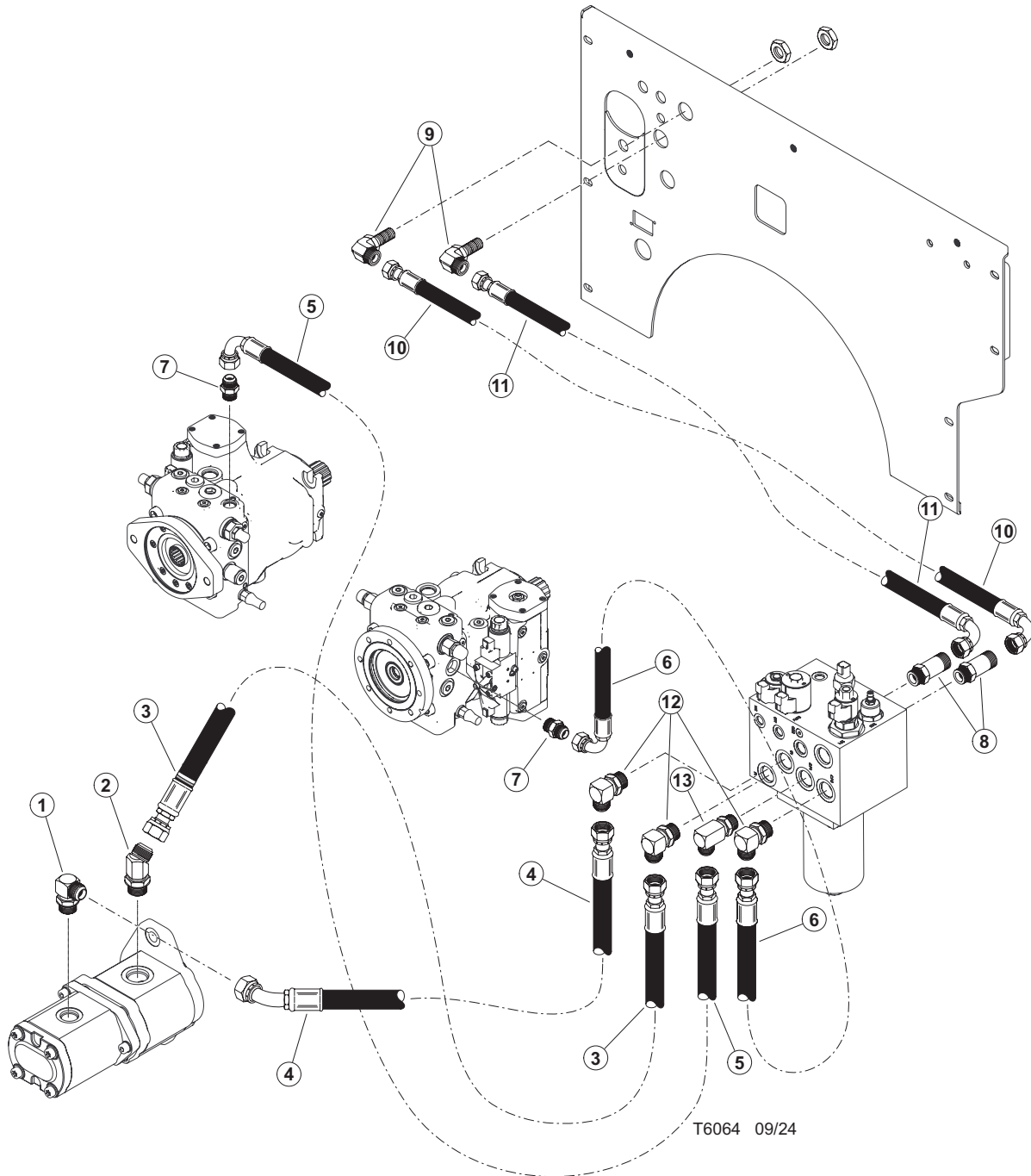
DRIVE HYDRAULICS SYSTEM ASSEMBLY AND INSTALLATION

UPPER DRIVELINE INSTALLATION

REF	PART #	QTY	DESCRIPTION	SEE SECTION
1	(KIT - 59057)	1	HOSE ASSY - 797TC33 16-16OS-16PH9-SW (RM 12)	
2	(KIT - 59057)	1	HOSE ASSY - 797TC42.5 16-16OS-16PH9-SW (RM 10)	
3	(KIT - 59057)	1	HOSE ASSY - 797TC27 16-16OS-16PH4-SW (RM 11)	
4	(KIT - 59057)	1	HOSE ASSY - 797TC36 16-16OS-16PH4-SW (RM 9)	
5	17682	4	SWIVEL, 16 ORFS 90 16 C6LO	
6	15113	8	KIT, SPLIT FLANGE - 1" (CODE 62)	
7	57251	1	TUBELINE, TRACK DRIVE	
8	57252	1	TUBELINE, TRACK DRIVE	
9	57253	1	TUBELINE, TRACK DRIVE	
10	57254	1	TUBELINE, TRACK DRIVE	
11	52441	4	TUBELINE, TRACK DRIVE	
12	(KIT - 59057)	1	HOSE ASSY - 797TC52.5 16-16OS-16PH9-SW (DRIVE PUMP TO RM 9)	
13	(KIT - 59057)	1	HOSE ASSY - 797TC58.5 16-16OS-16PH9-SW ((DRIVE PUMP TO RM 11)	
14	(KIT - 59057)	1	HOSE ASSY - 797TC64 16-16OS-16PH9-SW ((DRIVE PUMP TO RM 12)	
15	(KIT - 59057)	1	HOSE ASSY - 797TC61.5 16-16OS-16PH9-SW ((DRIVE PUMP TO RM 10)	
16	48684	1	CLAMP BRACKET	
17	52372	4	CLAMP, STEEL TUBELINES	

LOG LOADER HYDRAULICS ASSEMBLY AND INSTALLATION

CHARGE MANIFOLD HYD. HOSE CONNECTIONS



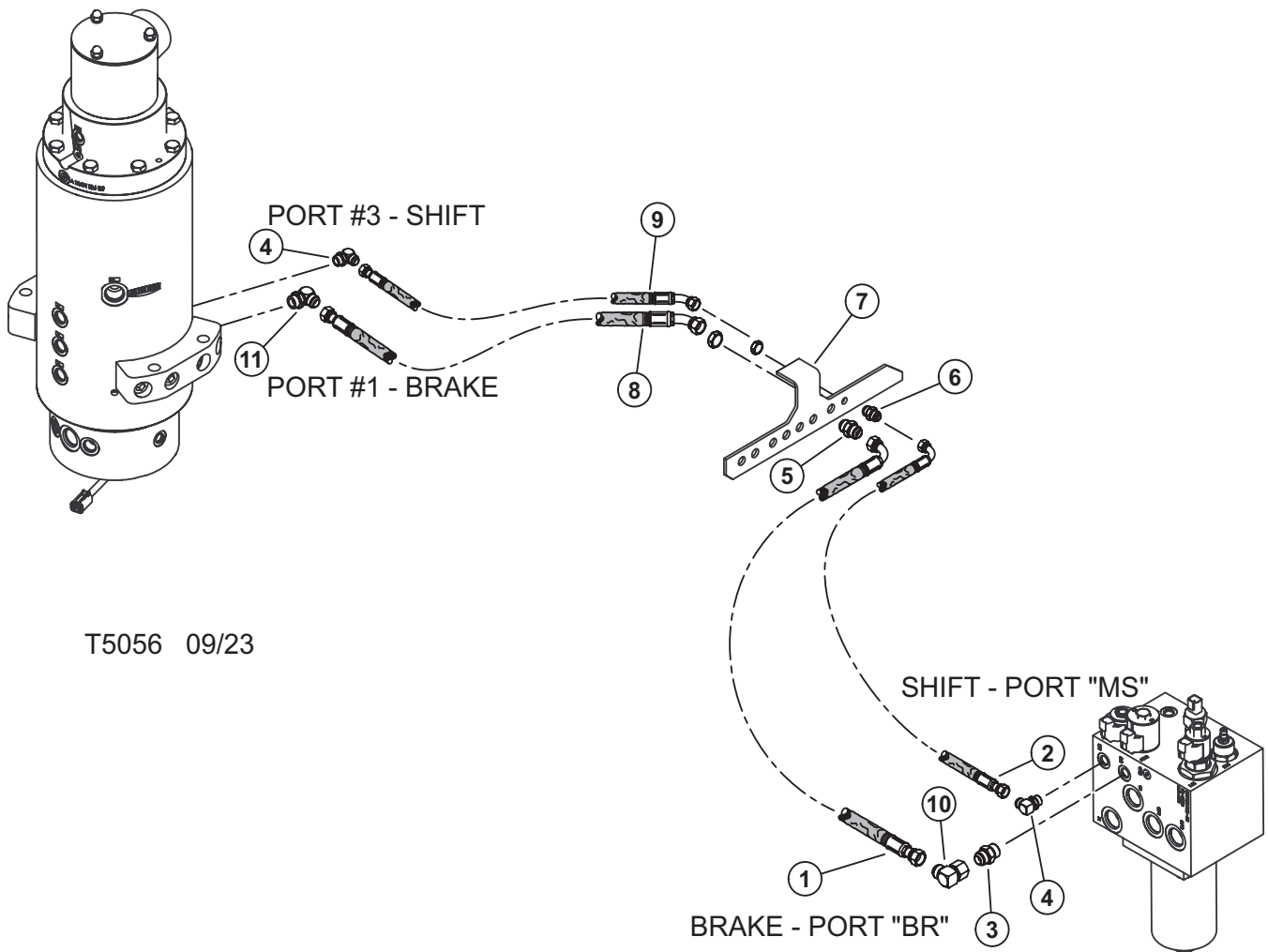
LOG LOADER HYDRAULICS ASSEMBLY AND INSTALLATION

CHARGE MANIFOLD HYD. HOSE CONNECTIONS

REF	PART #	QTY	DESCRIPTION	SEE SECTION
1	53032	1	ELBOW, 90 - 12 JIC X 10 ORB	
2	15474	1	ELBOW, 45 - 6802-12	
3	656850	1	HOSE, HYD, 722TC16.5 12-12JS-12JS	
4	656900	1	HOSE, HYD, 187TC22 12-12JS-12J4	
5	656890	1	HOSE, HYD, 187TC30 12-12JS-12J9	
6	656880	1	HOSE, HYD, 187TC18.5 12-12JS-12J9	
7	15494	2	CONNECTOR, STR - 6400-12-10	
8	19092	2	CONNECTOR, STR LONG - 848L-TTO-12X12	
9	54704	2	ELBOW, 90 BULK 12 WETX-WLN-S	
10	656870	1	HOSE, HYD, 187TC20.5 12-12JS-12J9	
11	656860	1	HOSE, HYD, 187TC19 12-12JS-12J9	
12	11306	3	ELBOW, 90 12 C5OX-S	
13	58379	1	ELBOW, LONG, 3/4 JIC(M) - 3/4 ORB(M)	

DRIVE HYDRAULICS SYSTEM ASSEMBLY AND INSTALLATION

MOTOR SHIFT AND PARKING BRAKE HYDRAULICS ASSEMBLY AND INSTALLATION



T5056 09/23

DRIVE HYDRAULICS SYSTEM ASSEMBLY AND INSTALLATION

MOTOR SHIFT AND PARKING BRAKE HYDRAULICS ASSEMBLY AND INSTALLATION

REF	PART #	QTY	DESCRIPTION	SEE SECTION
1	59057 (Kit #)	1	HOSE ASSEMBLY (Parking Brake) - P#: 387TC120 06-06OS-06J9-WS (Upperturntable BH to Charge/Cooler Manifold)	
2	59057 (Kit #)	1	HOSE ASSEMBLY (Motor Shift) - P#: 387TC118 04-04OS-04J9-WS (Upperturntable BH to Charge/Cooler Manifold)	
3	18034	1	CONNECTOR, STR - FF1852T-0606S	
4	15133	2	ELBOW, 90 - FF1868T-0406S1	
5	55374	1	FITTING, BULKHEAD - 6 WTX-WLN-S	
6	55383	1	FITTING, BULKHEAD - 4 WTX-WLN-S	
7	66152	1	785 LL PLATE, BULKHEAD, UPPER TURNTABLE	
8	59057 (Kit #)	1	HOSE ASSEMBLY (Parking Brake) P#: 387TC57 06-06JS-06J4-WS (RM #1 TO BRAKE BULKHEAD)	
9	59057 (Kit #)	1	HOSE ASSEMBLY (Motor Shift) P#: 387TC56 04-04JS-04J4-WS (RM #3 TO MOTOR SHIFT BULKHEAD)	
10	20035	1	ELBOW, 90 SWIVEL - 6 C6LO-S	
11	22405	1	ELBOW, 90 - 8-6 C5OLO-S	

