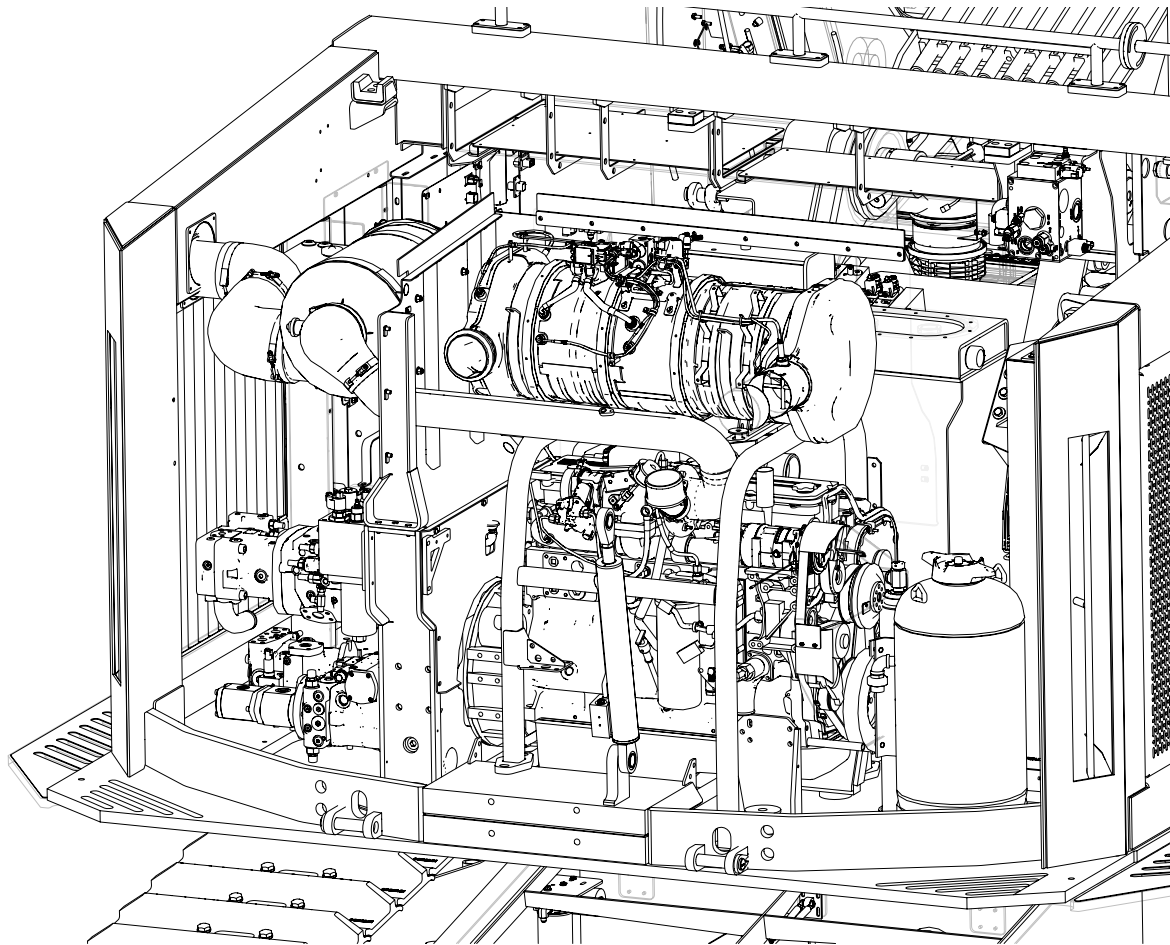
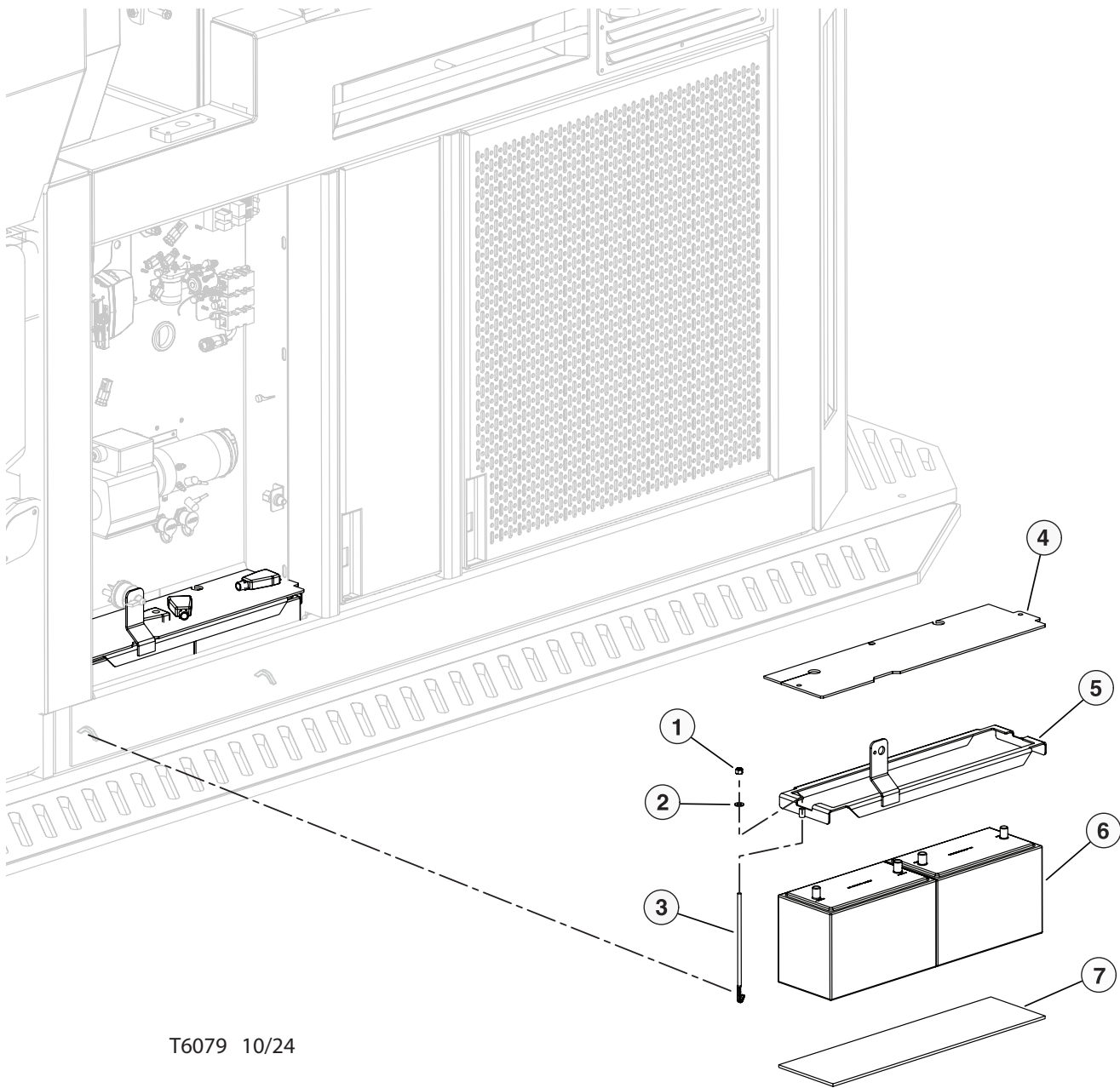


SECTION ES-1

ENGINE ELECTRICAL SYSTEM



ENGINE ELECTRICAL SYSTEM BATTERY INSTALLATION



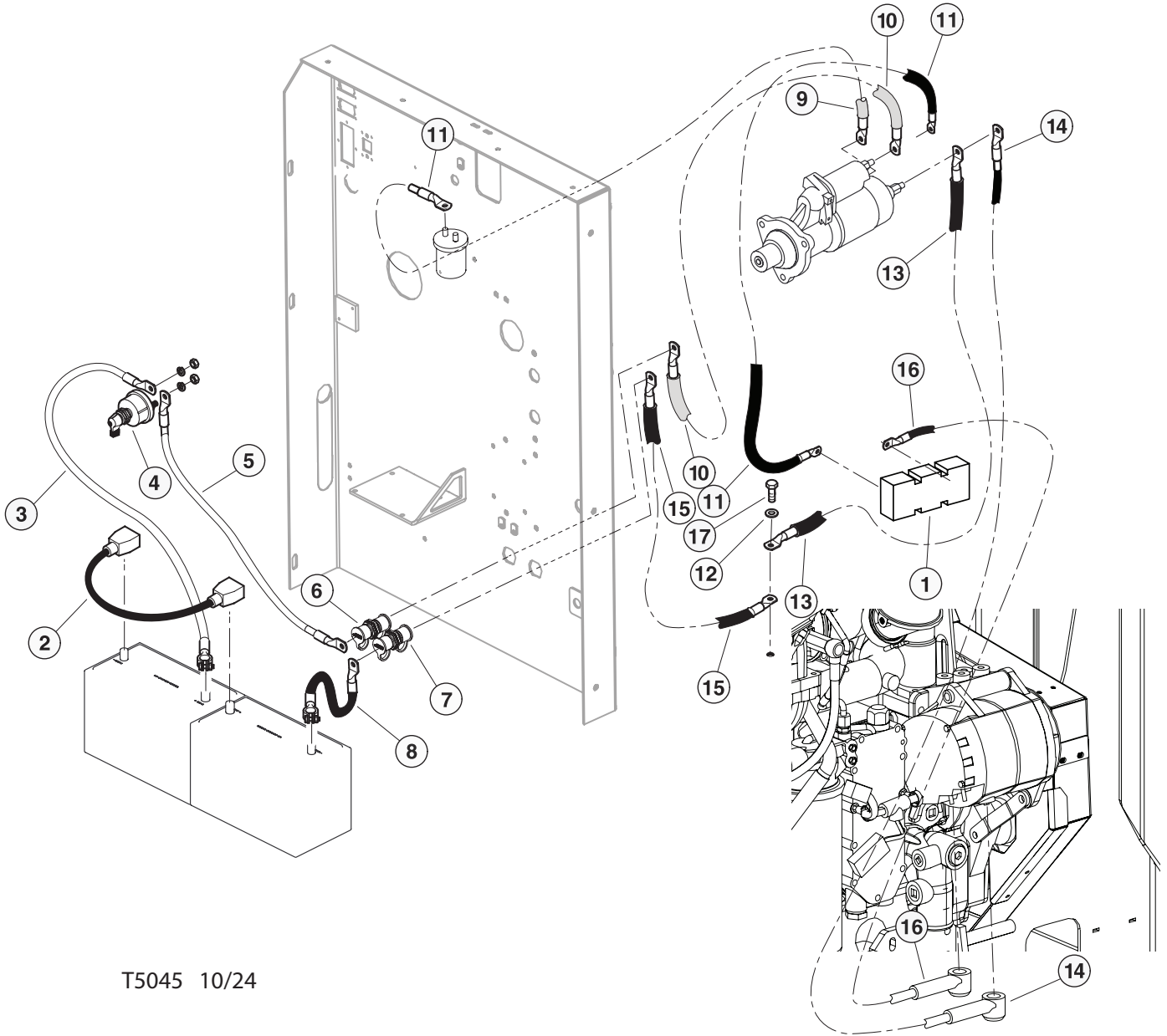
T6079 10/24

REF	PART #	QTY	DESCRIPTION	SEE SECTION
1	10788	2	NUT, NYLOCK - .3125"	
2	15559	2	WASHER, SAE FLAT - .3125"	
3	51722	1	HOLD DOWN, BATTERY - (2 PER PACK)	
4	46564	1	RUBBER, ISOLATOR - BATT COVER	
5	45537	1	BRACKET, BATTERY HOLD DOWN	
6	17150	2	BATTERY, HEAVY DUTY	
7	45720	1	RUBBER, ISOLATOR - BATTERY HOLD DOWN	

PAGE INTENTIONALLY LEFT BLANK

ENGINE ELECTRICAL SYSTEM

BATTERY CABLE INSTALLATION



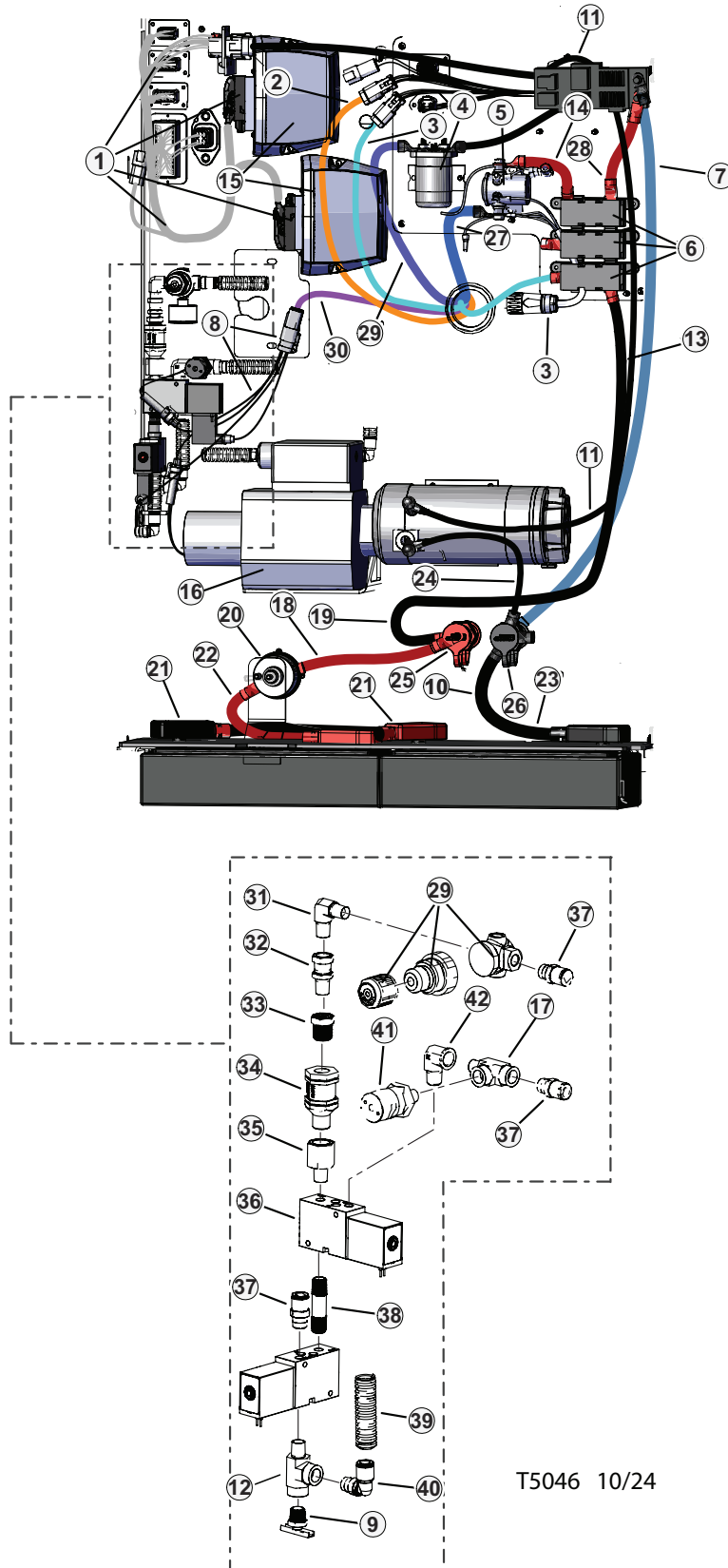
T5045 10/24

ENGINE ELECTRICAL SYSTEM BATTERY CABLE INSTALLATION

REF	PART #	QTY	DESCRIPTION	SEE SECTION
1	22247	1	HOLDER, FUSE - MEGA	
2	24300	1	CABLE, BATTERY POS/NEG JUMPER	
3	55334	1	CABLE, BATTERY POSITIVE TO MASTER DISCONNECT	
4	25200	1	SWITCH, MASTER SHUT-OFF (1/2" STUD)	
5	55333	1	CABLE, MASTER DISCONNECT TO POWER + STUD	
6	54643	1	STUD, THRU BATTERY CABLE POSITIVE +	
7	54642	1	STUD, THRU BATTERY CABLE 1/2" NEGATIVE -	
8	55337	1	CABLE, BATTERY to GROUND STUD	
9	57517	1	CABLE, START RELAY TO STARTER	
10	55327	1	CABLE, BATTERY - POSITIVE - 94"	
11	55332	1	CABLE, BATTERY - POSITIVE - 26"	
12	15534	1	WASHER, FLAT - .5"	
13	55328	1	CABLE, UPPER FRAME GROUNDING BOLT TO STARTER GROUND - 46"	
14	57922	1	CABLE, BATTERY - NEGATIVE - 30.5"	
15	55329	1	CABLE, GROUND - 54"	
16	57921	1	CABLE, BATTERY - 28"	
17	10783	1	BOLT - .5" X 1.00"	

ENGINE ELECTRICAL SYSTEM

CONTROL PANEL COMPONENTS, FILL PUMP, GULL WING LIFT PUMP HARNESS



T5046 10/24

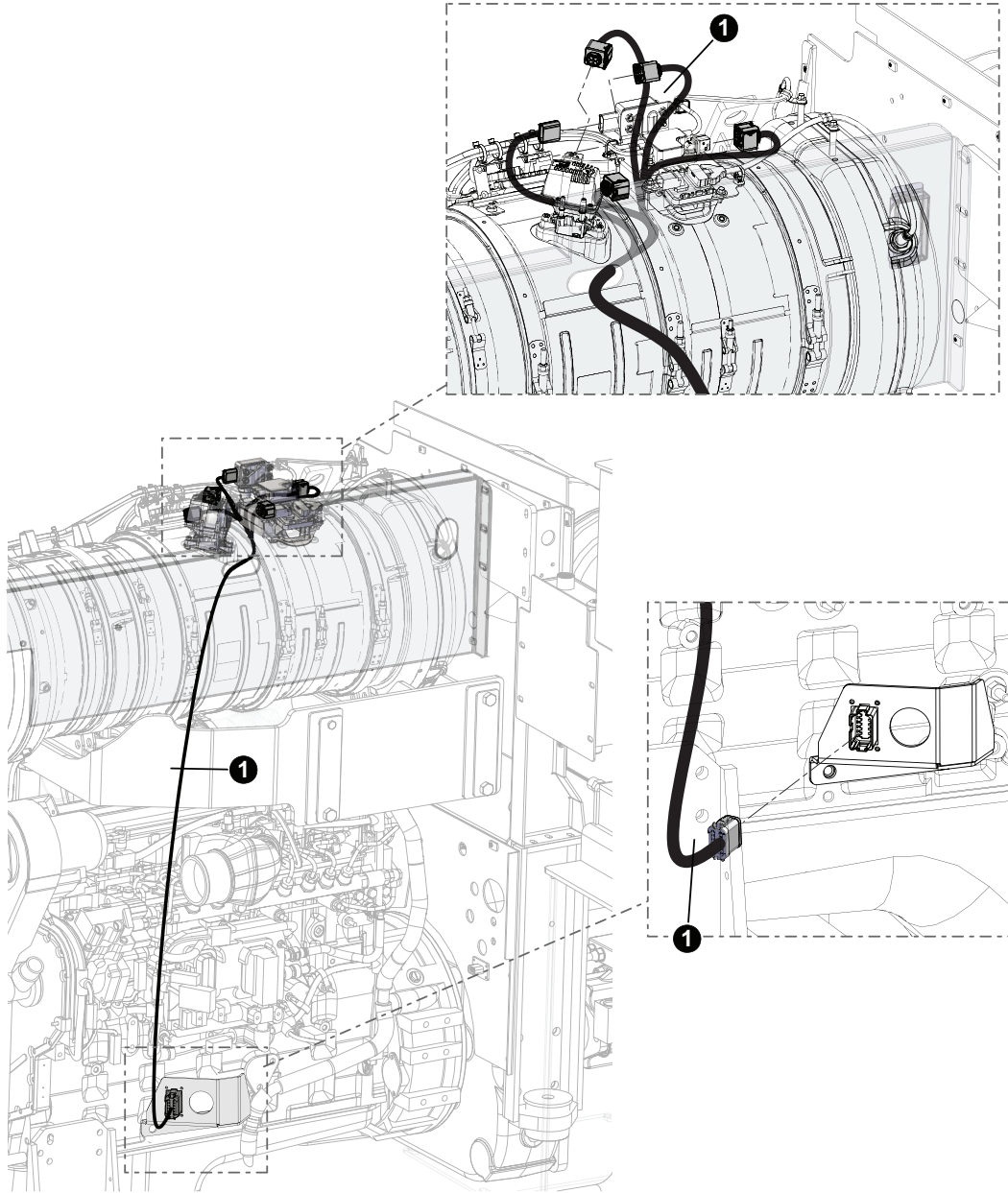
ENGINE ELECTRICAL SYSTEM

CONTROL PANEL COMPONENTS, FILL PUMP, GULL WING LIFT PUMP HARNESS

REF	PART #	QTY	DESCRIPTION	SEE SECTION
1	57934	1	HARNESS, XA2 MODULES - D SERIES	
2	57592	1	HARNESS, GEARBOX OIL COOLER	
3	59028	1	HARNESS, LogLoader Cab Power	
4	25117	1	RELAY, STARTER - 24 volt (WHITE/ROGERS)	
6	23619	3	FUSE, 100 AMP - MEGA (cab power supply, gull wing lift pump, grid heater, alternator)	
7	(CALL)	1	CABLE, GROUND	
8	55193	1	HARNESS, VAC VENT FILL	
9	15650	1	VALVE, TANK VENT - DC602-6	
10	55337	1	CABLE, BATTERY - NEGATIVE - 9"	
11	(CALL)	1	CABLE, FILL PUMP	
12	10393	1	TEE - 1/4 MRO	
13	(CALL)	1	CABLE, POSITIVE	
14	(CALL)	1	CABLE, POSITIVE	
15	53095	2	MODULE, XA2 - IQAN	
16	51615	1	PUMP, VACUUM - HYD TANK	
17	10393	1	TEE - 1/4 MRO	
18	55333	1	CABLE, BATTERY-POSITIVE - 10"	
19	(CALL)	1	CABLE, POSITIVE	
20	25200	1	SWITCH, MASTER SHUT-OFF(1/2" STUD)	
21	24300	1	CABLE, BATTERY POS/NEG JUMPER	
22	55334	1	CABLE, BATTERY - POSITIVE - 14"	
23	57510	1	CABLE, GROUND	
24	(CALL)	1	CABLE, NEGATIVE	
25	54643	1	STUD, THRU BATTERY CABLE POSITIVE +	
26	54642	1	STUD, THRU BATTERY CABLE 1/2" NEGATIVE -	
27	57392	4	CABLE, GRID HEATER FUSE	
28	(CALL)	1	CABLE, POSITIVE	
29	15649	1	REGULATOR, TURBO BOOST	
30	59027	1	HARNESS, LOGLOADER XA2 AND ENGINE TO CAB	
31	55205	1	FITTING, ELBOW - 6 CTX-S	
32	11331	1	CONNECTOR, STR SWIVEL - 1404-4-4	
33	11318	1	BUSHING, REDUCER - 5406-6-4	
34	15652	1	VALVE, CHECK - HYDRAULIC/FUEL	
35	52145	1	ADAPTER, EXPANDER - 3/8 X 1/4 FG-S	
36	51616	2	VALVE, 3-WAY VACUUM PUMP	
37	52506	2	CONNECTOR, STR - PUSH HOSE - 1/4" VACUUM	
38	16314	1	NIPPLE, PIPE - .25" X 2"	
39	51738	LF (10 FT.)	HOSE, VACUUM PUMP 3/8" PUSH ON	
40	51739	1	CONNECTOR, ELBOW -PUSH ON (VACUUM) (1/4")	
41	51737	1	SWITCH, PRESSURE - VACUUM PUMP (HYD TANK	
42	21147	1	ELBOW, 90 STREET .25" NPT - BRASS	

ENGINE ELECTRICAL SYSTEM

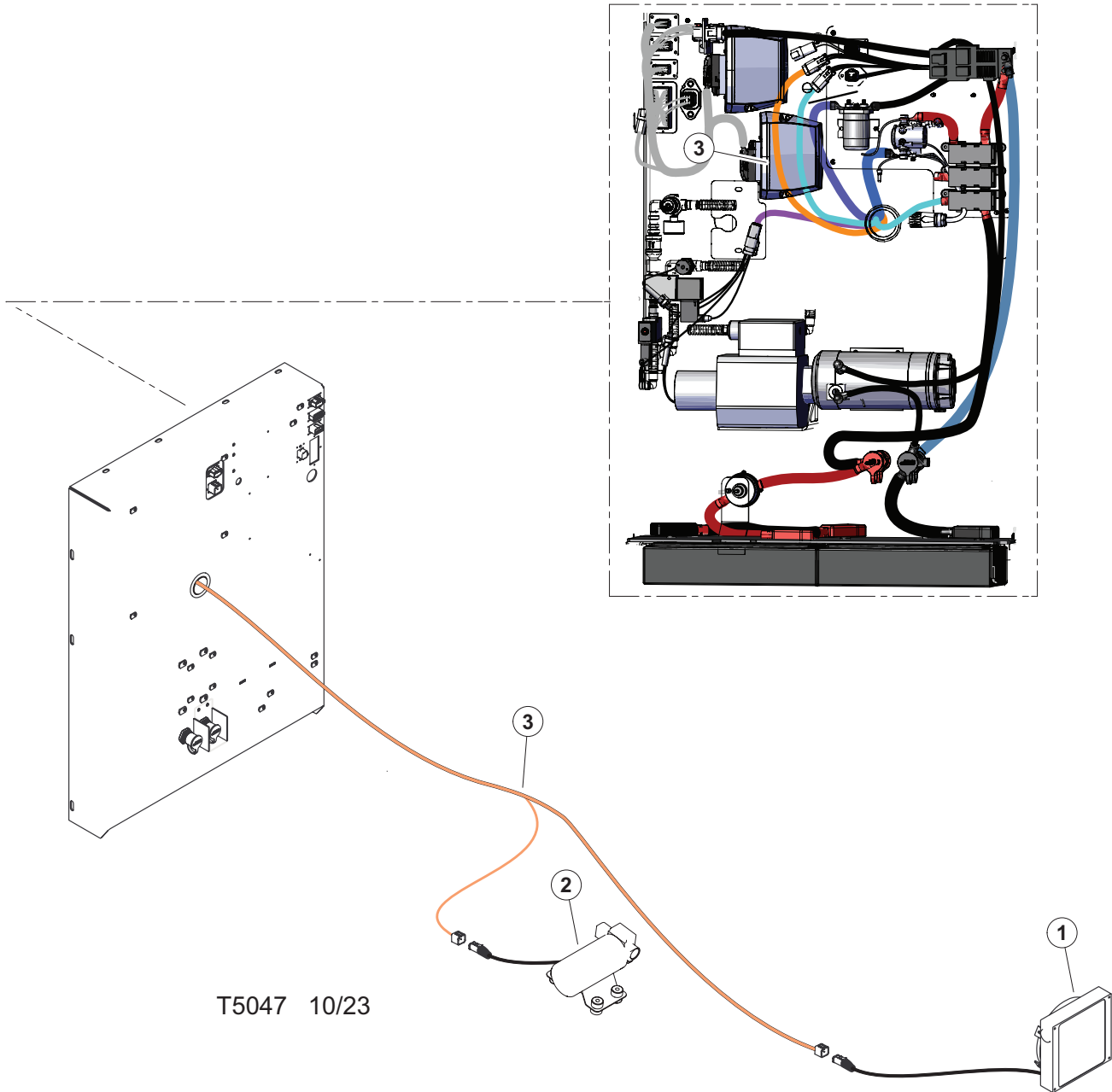
CUMMINS STAGE V AFTER TREATMENT HARNESS



REF	PART #	QTY	DESCRIPTION	SEE SECTION
1	60329	1	HARNESS, AFTER TREATMENT - CUMMINS STG5	

ENGINE ELECTRICAL SYSTEM

CUMMINS STAGE V GEARBOX COOLER HARNESS



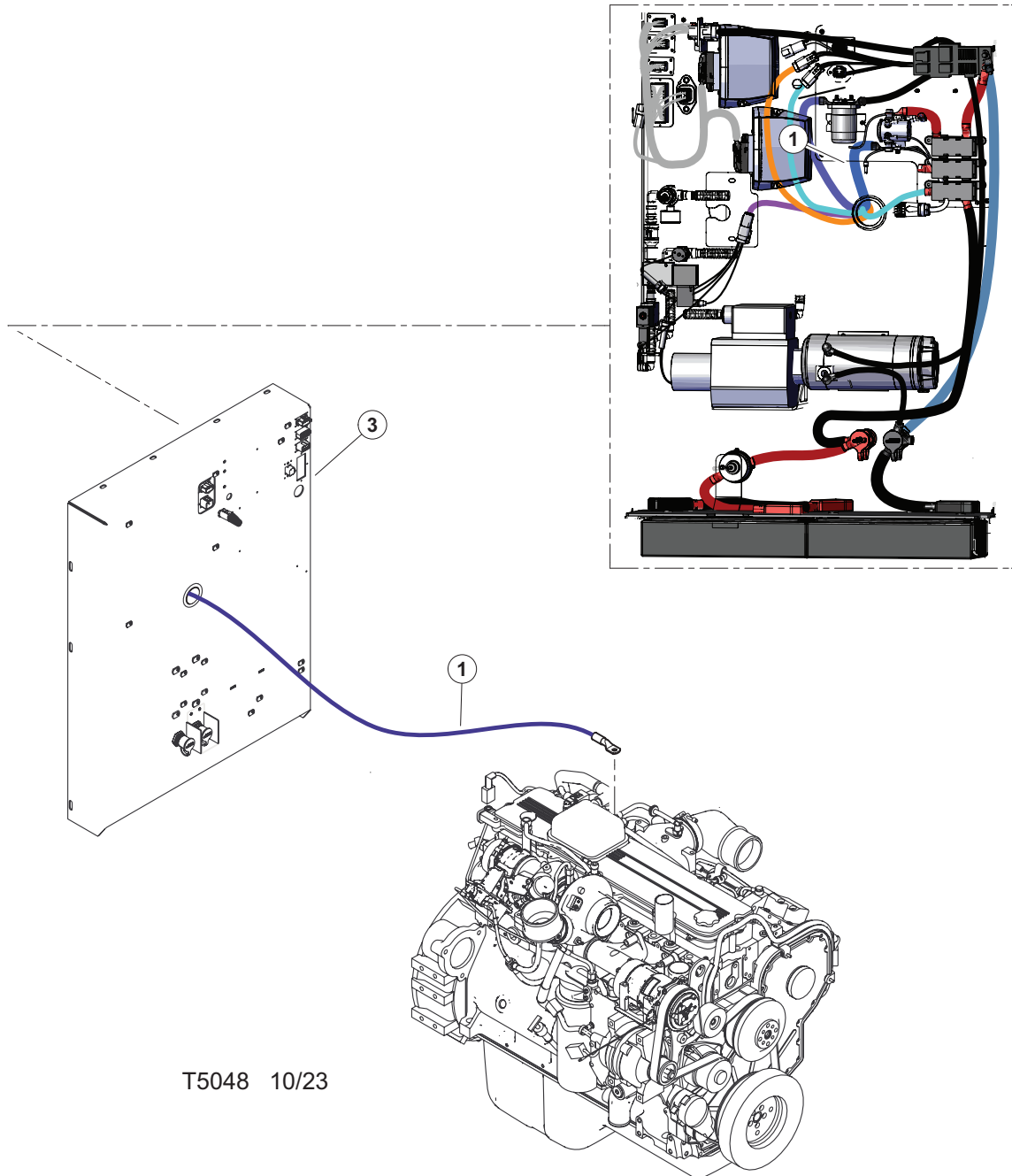
T5047 10/23

REF	PART #	QTY	DESCRIPTION
1	55528	1	COOLER, GEAR BOX - REMOTE
2	57464	1	PUMP, GEAR BOX COOLER
3	57592	1	HARNESS, GEARBOX OIL COOLER

SEE SECTION

ENGINE ELECTRICAL SYSTEM

CUMMINS STAGE V GRID HEATER CABLE



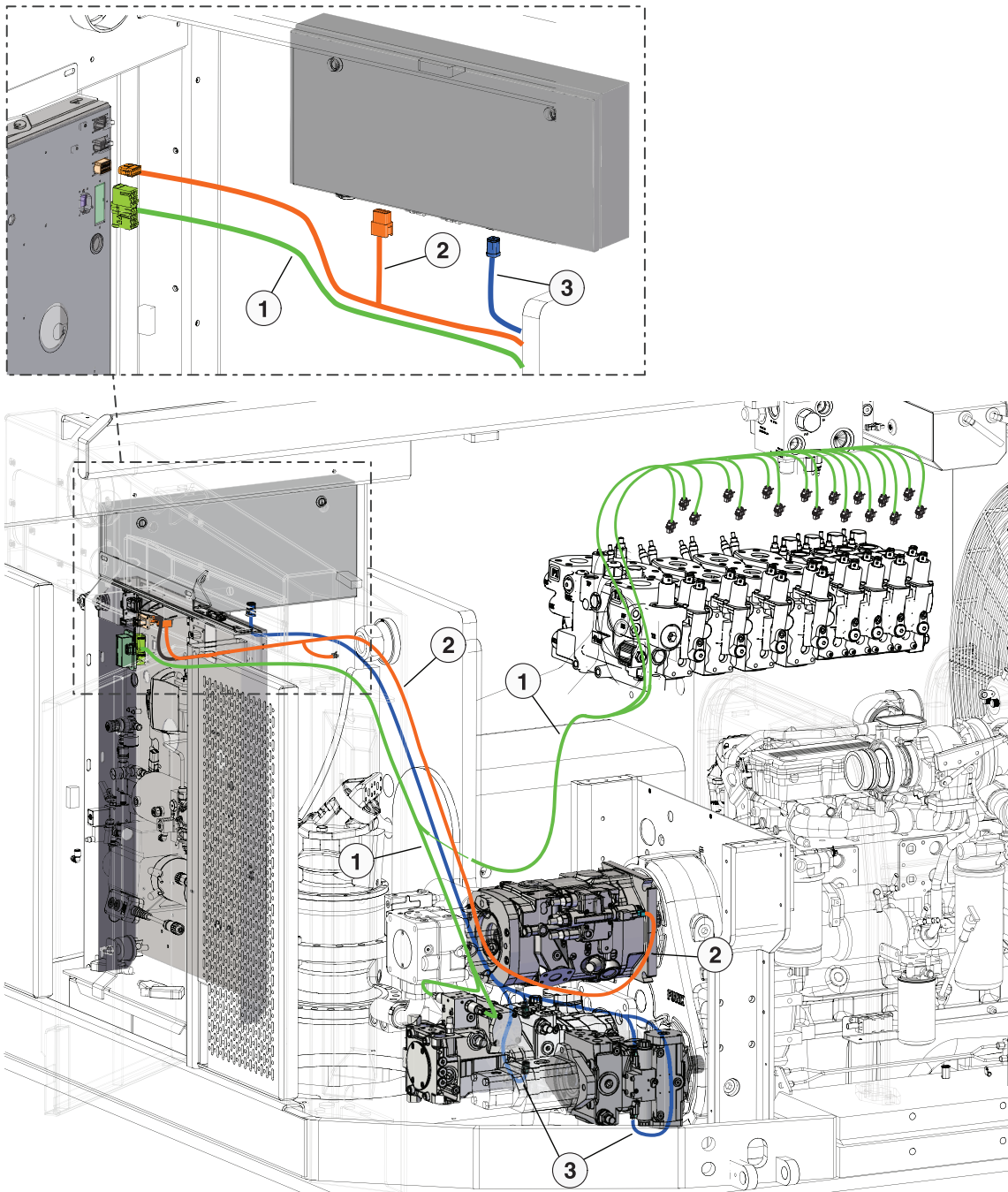
T5048 10/23

REF	PART #	QTY	DESCRIPTION	SEE SECTION
1	(CALL)	1	CABLE, GRID HEATER	

PAGE INTENTIONALLY LEFT BLANK

ENGINE ELECTRICAL SYSTEM

ENGINE PUMPS, CONTROL PANEL AND MAIN VALVE WIRE HARNESS

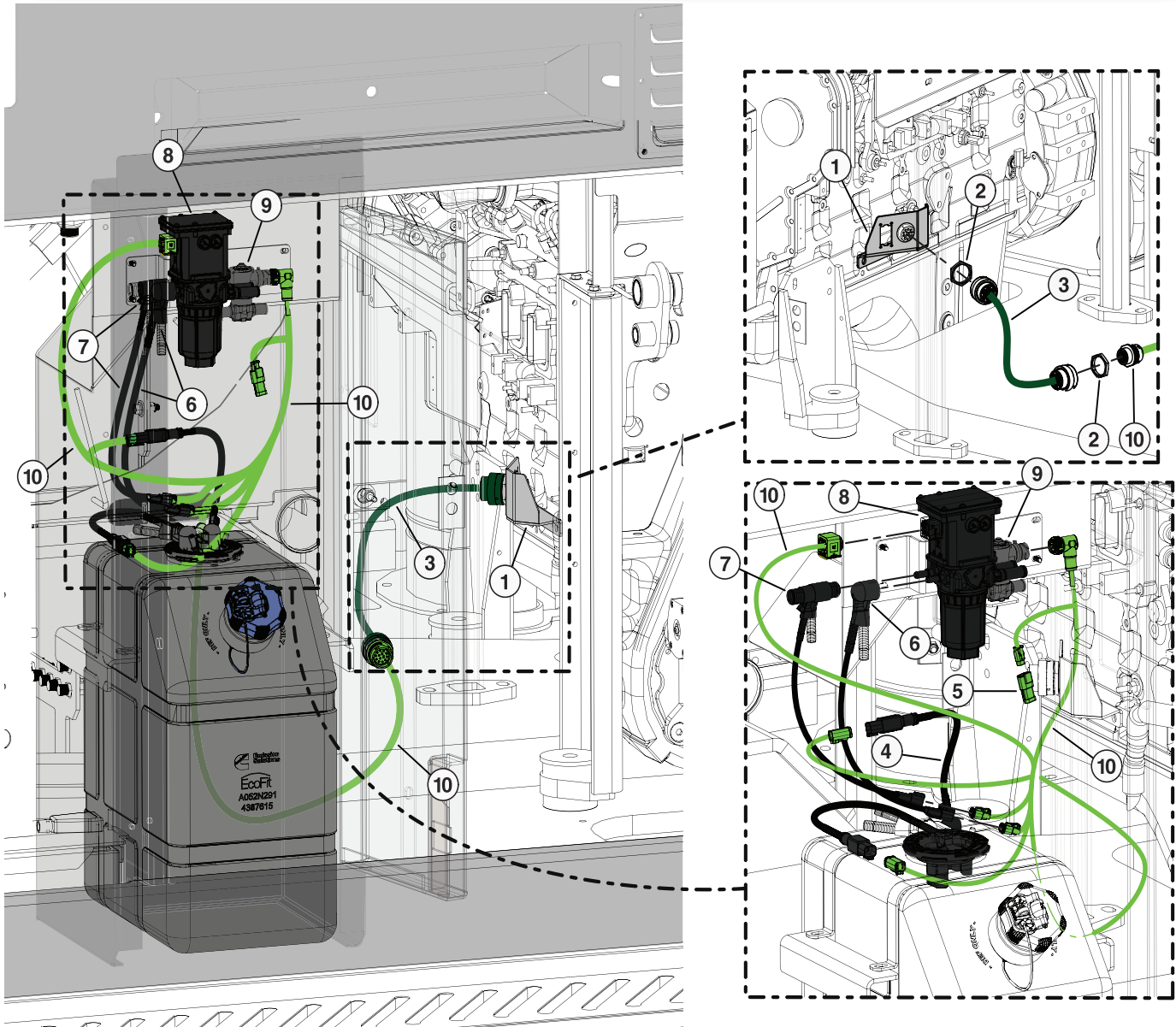


T6080 10/24

REF	PART #	QTY	DESCRIPTION	SEE SECTION
1	62787	1	HARNESS, Control Valve (PARKER 450)	
2	58274	1	HARNESS, CAB TO XA2 PANEL	
3	57389	1	HARNESS, HYDROSTATIC PUMP	

OPERATOR CAB ELECTRICAL SYSTEM

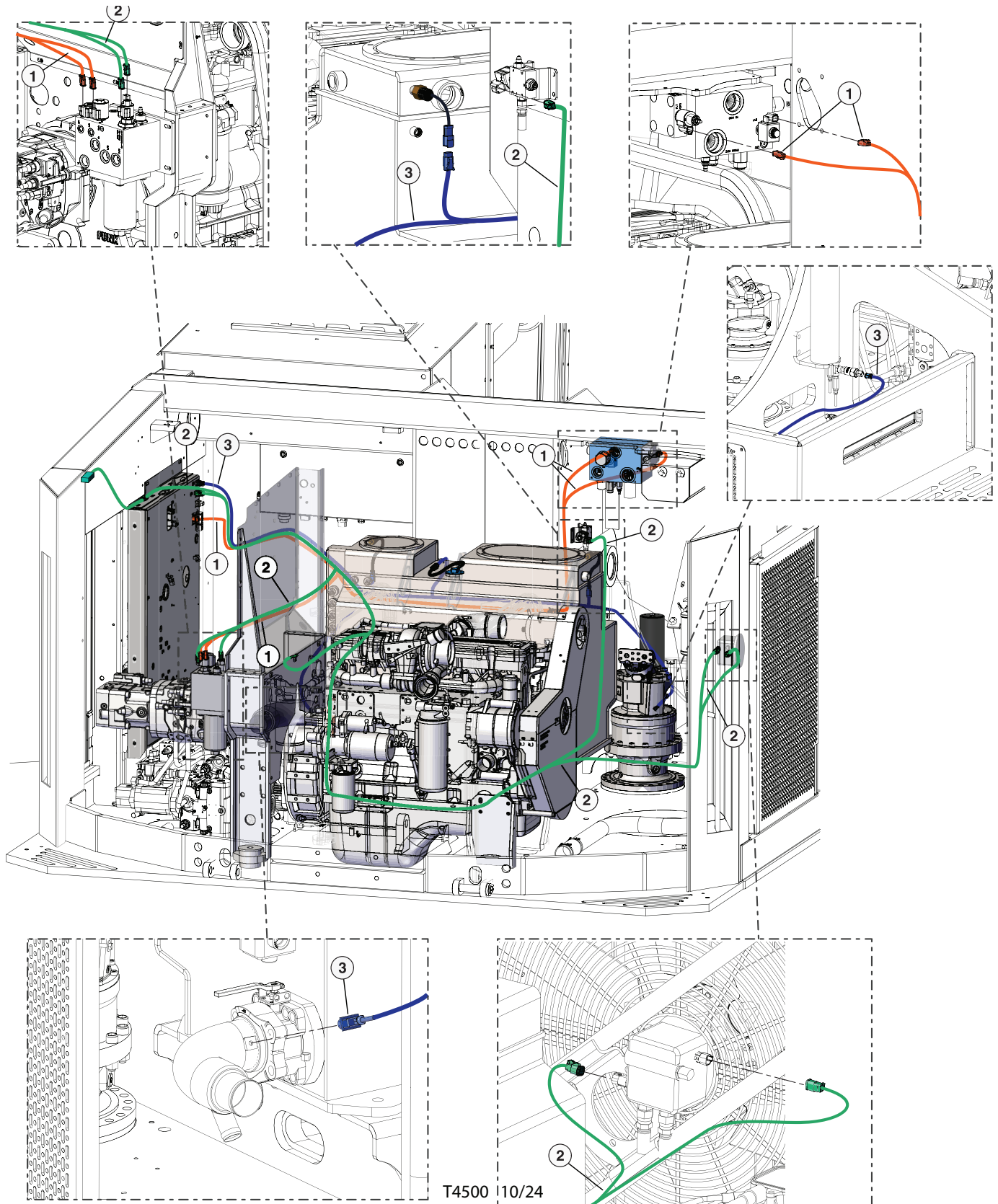
CUMMINS STAGE V ENGINE DEF SYSTEM HARNESS



REF	PART #	QTY	DESCRIPTION	SEE SECTION
1	60833	2	PLATE, ECM BH MOUNT	
2	(CALL)	2	NUT	
3	59030	1	HARNESS, LogLoader DEF extension harness	
4	(CALL)	1	HARNESS, DEF TANK - CUMMINS STG5	
5		1	END OF LINE RESISTOR	
6		1	DEF Supply Hose	
7		1	DEF Supply Hose	
8		2	PUMP, DOSER	
9	(CALL)	2	WATER VALVE	
10	60328	1	HARNESS, DEF TANK - CUMMINS STG5	

ENGINE ELECTRICAL SYSTEM

CHARGE FAN, MOTOR-SHIFT, DISC SAW, PARKING BRAKE, AND HYDRAULIC TANK



ENGINE ELECTRICAL SYSTEM

CHARGE FAN, MOTOR-SHIFT, DISC SAW, PARKING BRAKE, AND HYDRAULIC TANK

REF	PART #	QTY	DESCRIPTION	SEE SECTION
1	62047	1	HARNESS, Track MS, PB, Disc	
2	62048	1	HARNESS, Charge-Fan	
3	62046	1	HARNESS, Hydraulic Tank	

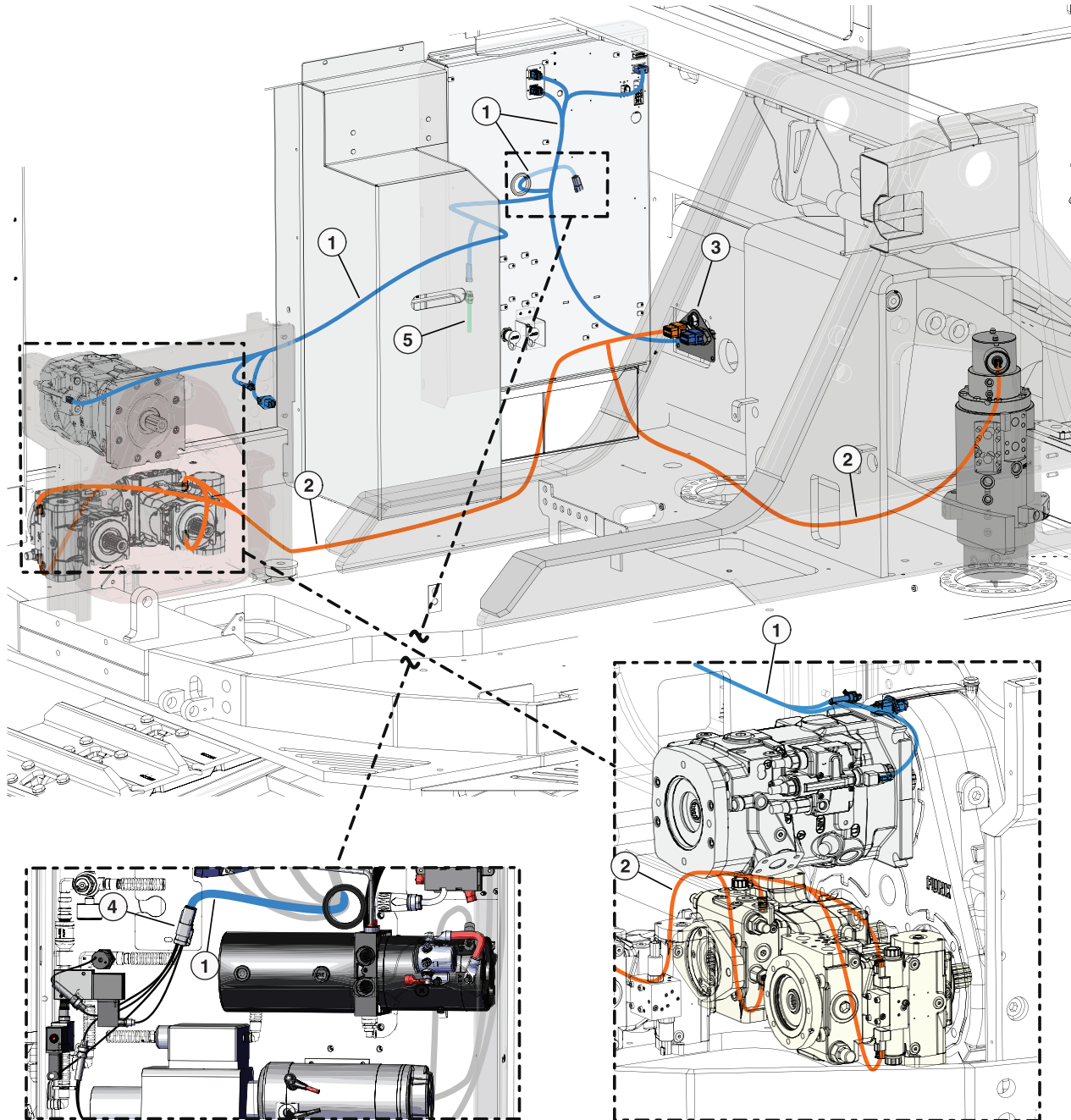
ENGINE ELECTRICAL SYSTEM

CUMMINS STAGE V ENGINE HARNESS

REF	PART #	QTY	DESCRIPTION	SEE SECTION
1	60327	1	HARNESS, ENGINE - CUMMINS STG5	
2	16133	2	BOLT - 6MM-1.0P X 16MM	
3	10800	2	WASHER, FLAT - .25"	
4	15669	4	SCREW, MACHINE - #10-24 X .5"	
5	59128	1	CABLE CLAMP, CUSHIONED, 1/2" (.406")	
6	17449	1'	LOOM, SPLIT - .5" (BULK)	

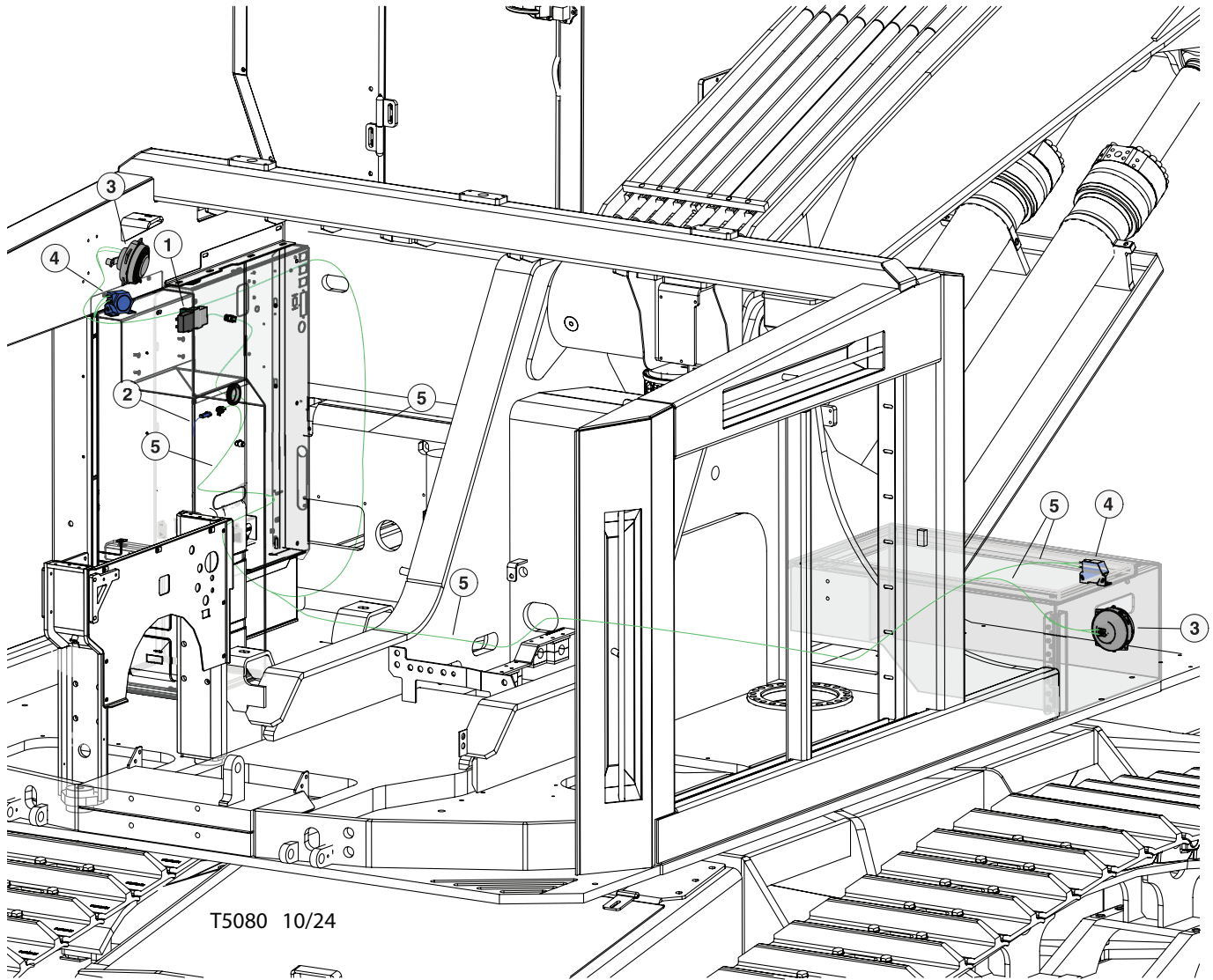
OPERATOR CAB ELECTRICAL SYSTEM

MAIN ELECTRICAL CENTER HARNESES - (BULKHEAD TO COMPONENTS)



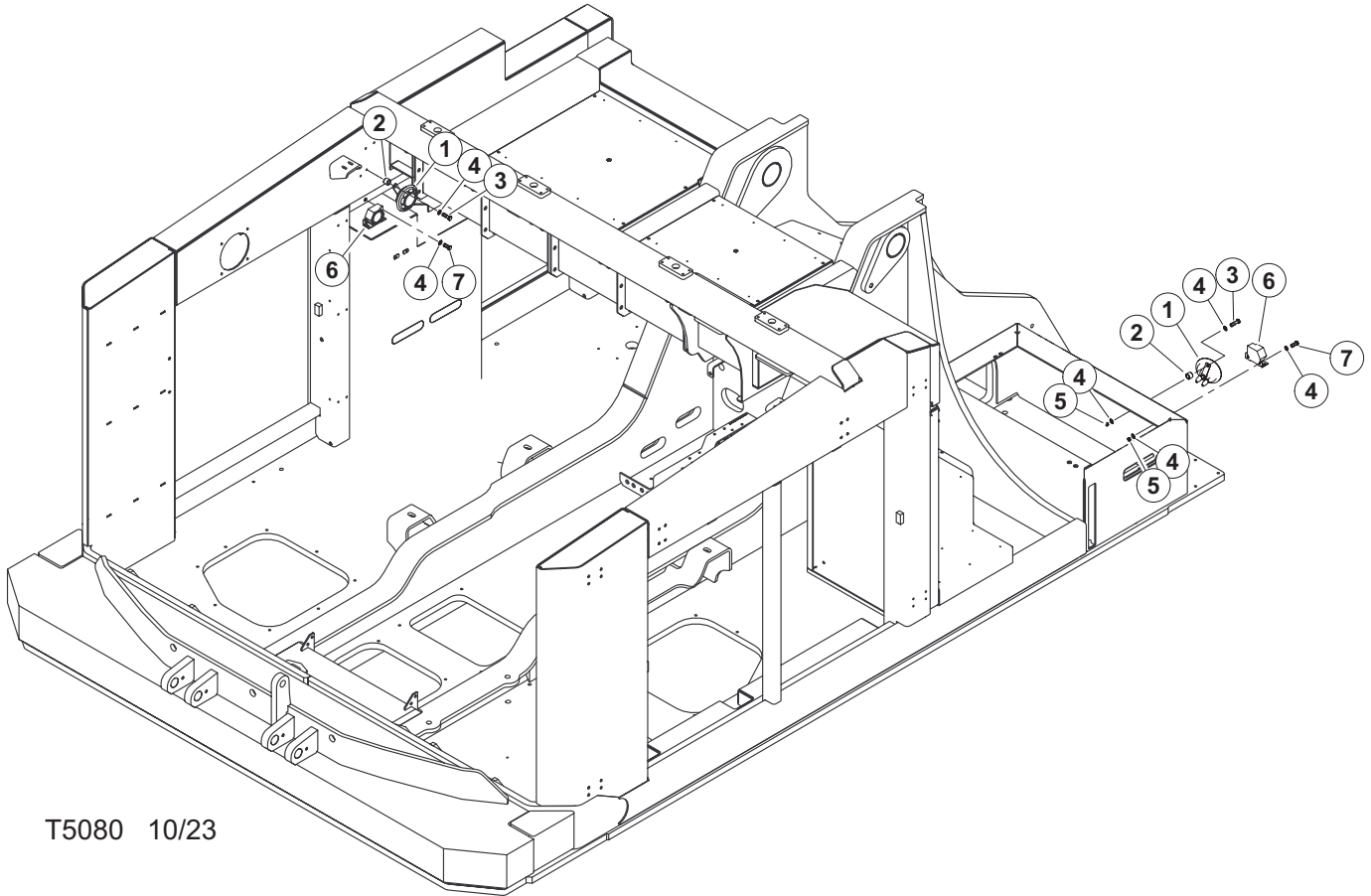
REF	PART #	QTY	DESCRIPTION	SEE SECTION
1	59027	1	HARNESS, LOGLOADER XA2 AND ENGINE TO BULKHEAD	
2	59029	1	HARNESS, LOGLOADER CAB MOUNT TO RM-HYDROSTATIC TRACK DRIVE PUMP	
3	63556	1	PLATE, CONNECTOR MOUNT - LOG LOADER	
4	55193	1	HARNESS, VAC-VENT FILL	
5	58995	1	HARNESS, HORN AND BACKUP	

ENGINE ELECTRICAL SYSTEM BACK-UP ALARM AND HORN WIRE HARNESS



REF	PART#	QTY	DESCRIPTION	SEE SECTION
1	(CALL)	1	Fuse Box (CONTACT LTL SUPPLY CO)	
2	59027	1	HARNESS, LogLoader XA2 and Engine to cab	
3	55131	2	HORN, ELECTRIC - 24V	
4	53191	2	SIREN, BACKUP - 24V	
5	58995	1	HARNESS, Horn and Backup	

ENGINE ELECTRICAL SYSTEM BACK-UP ALARM AND HORN INSTALLATION



T5080 10/23

ENGINE ELECTRICAL SYSTEM BACK-UP ALARM AND HORN INSTALLATION

REF	PART#	QTY	DESCRIPTION	SEE SECTION
1	55131	2	HORN, ELECTRIC - 24V	
2	19219	2	SPACER	
3	50164	2	BOLT - .25" X 1.75"	
4	10757	6	WASHER, SAE FLAT - .25"	
5	15509	2	NUT, NYLOCK - .25"	
6	53191	2	SIREN, BACKUP - 24V	
7	18309	2	BOLT - .25" X 1.25"	

