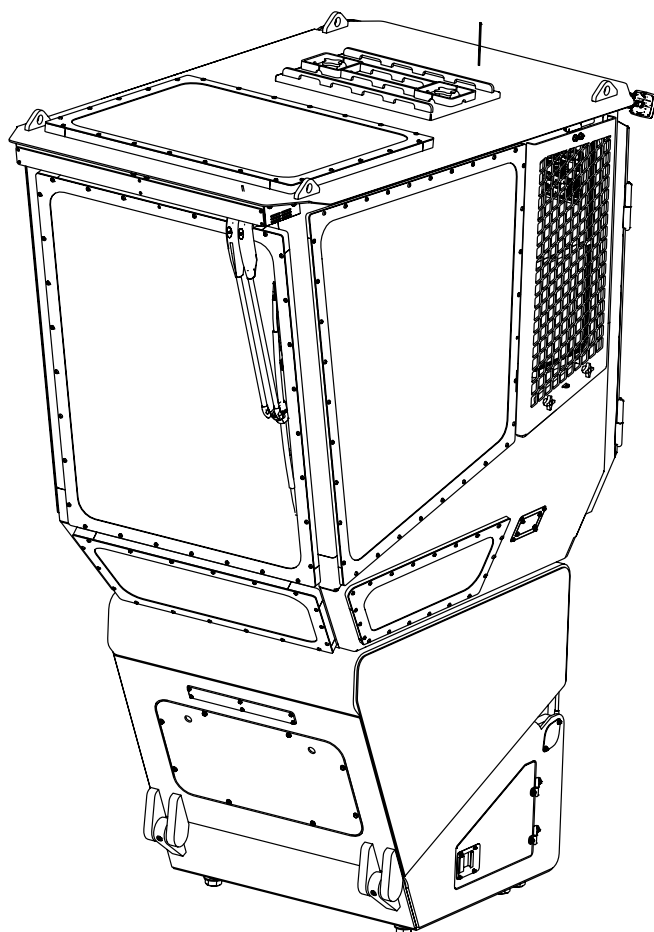
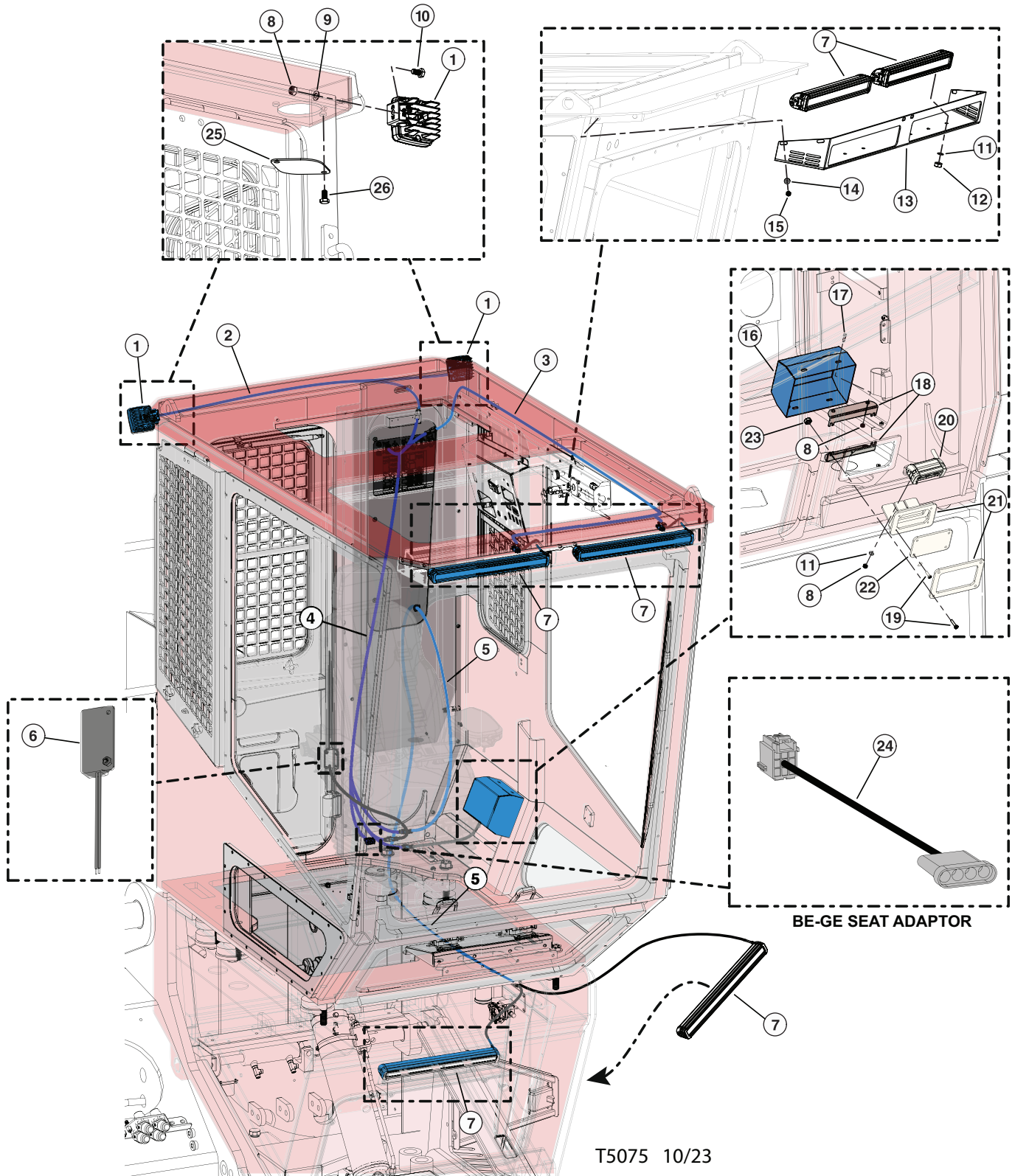


SECTION ES-2 OPERATOR CAB ELECTRICAL SYSTEM



OPERATOR CAB ELECTRICAL SYSTEM

FORWARD AND REAR CAB LIGHT HARNESS



OPERATOR CAB ELECTRICAL SYSTEM FORWARD AND REAR CAB LIGHT HARNESS

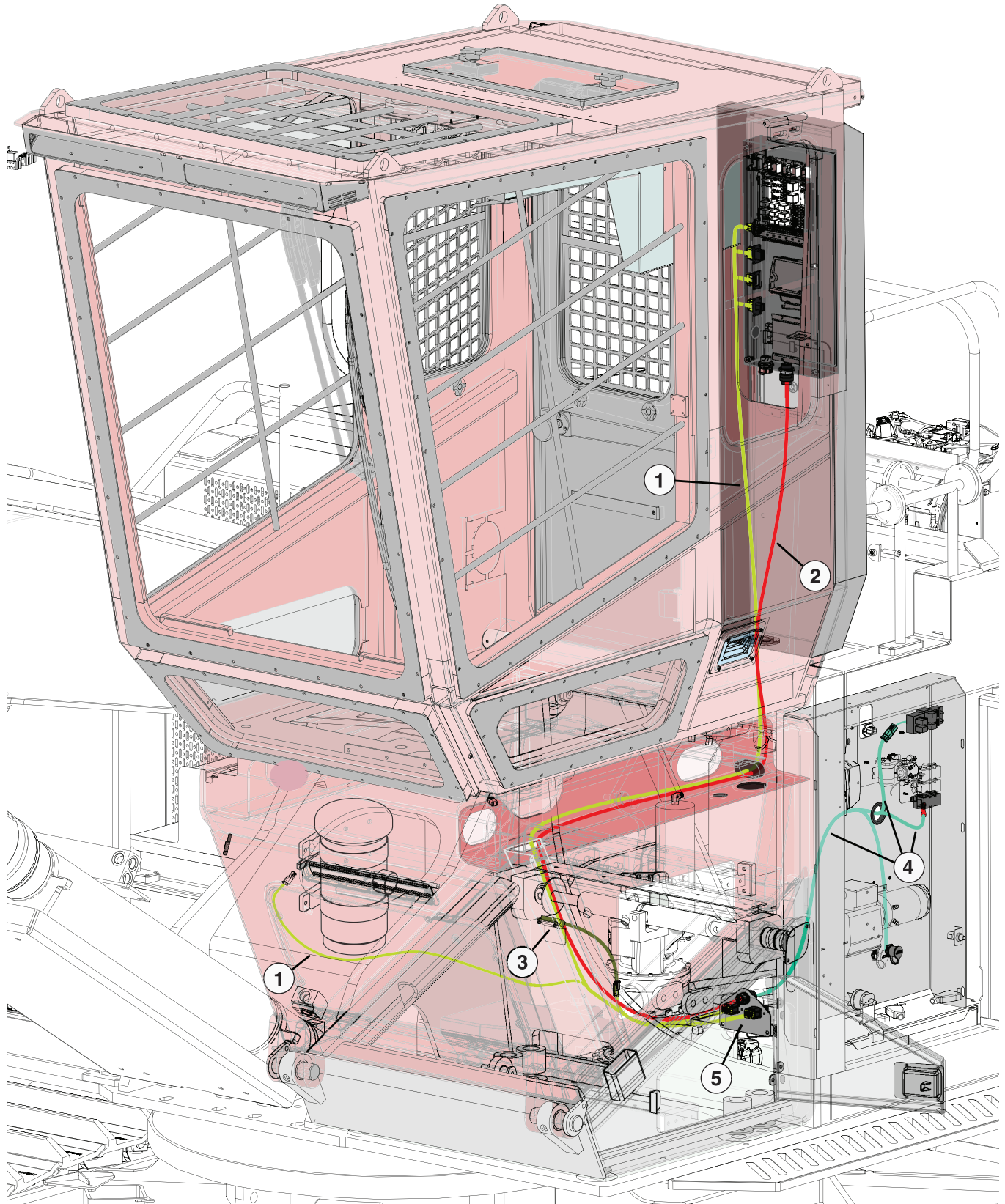
REF	PART #	QTY	DESCRIPTION	SEE SECTION
1	59044	2	LIGHT CUBE - 6LED ("D" GROTE)	
2	59021	1	HARNESS, CAB - Upper Lights LL-Series (Cab Rear Lights - 66")	
3	59021	1	HARNESS, CAB - Upper Lights LL-Series (Cab Forward Lights - 136")	
4	59021	1	HARNESS, CAB - Upper Lights LL-Series (Primary - Mid-portion Harness)	
5	(CALL)	1	HARNESS, CAB - LOWER LIGHTS	
6	55264	1	PROX SWITCH (DOOR SENSOR)	
7	57781	4	LIGHT, BAR - LED (D-SERIES CAB) 15 LED	
8	10813	6	NUT, LOCK - .375"	
9	10802	6	WASHER, FLAT - .375"	
10	11707	2	BOLT - .375" X 1"	
11	10757	6	WASHER, .25"	
12	16131	6	NUT - .25"	
13	63404	1	PLATE, LIGHT MT	
14	10757	6	WASHER, SAE FLAT - .25"	
15	15576	6	BOLT - .25" X 1"	
16	63608	1	PLATE, LIGHT COVER - LOG LOADER	
17	15576	6	BOLT - .25" X 1"	
18	63607	1	WELDMENT, COVER MTG - LOG LOADER	
19	15604	28	BOLT - .25" X .75"	
20	57783	3	LIGHT, BAR - LED (D-SERIES) 3 LED	
21	49223	2	BRACKET, LIGHT MOUNT REAR D-SEREIS	
22	49222	2	LEXON, LIGHT - CAB REAR D-SERIES	
23	10811	6	NUT, LOCK - .25"	
24	57935	1	HARNESS, Be-Ge Seat Adapter	
25	63493	2	PLATE, COVER - LOG LOADER	
26	15542	2	BOLT - .375" X .75"	

NOTE:

Item #2, 3, and 4, Part #59021, are all ordered together.

OPERATOR CAB ELECTRICAL SYSTEM

MD4 SCREEN ASSM. AND HARNESS AND FRONT DOOR LIGHTS AND HARNESS



T5076 10/24

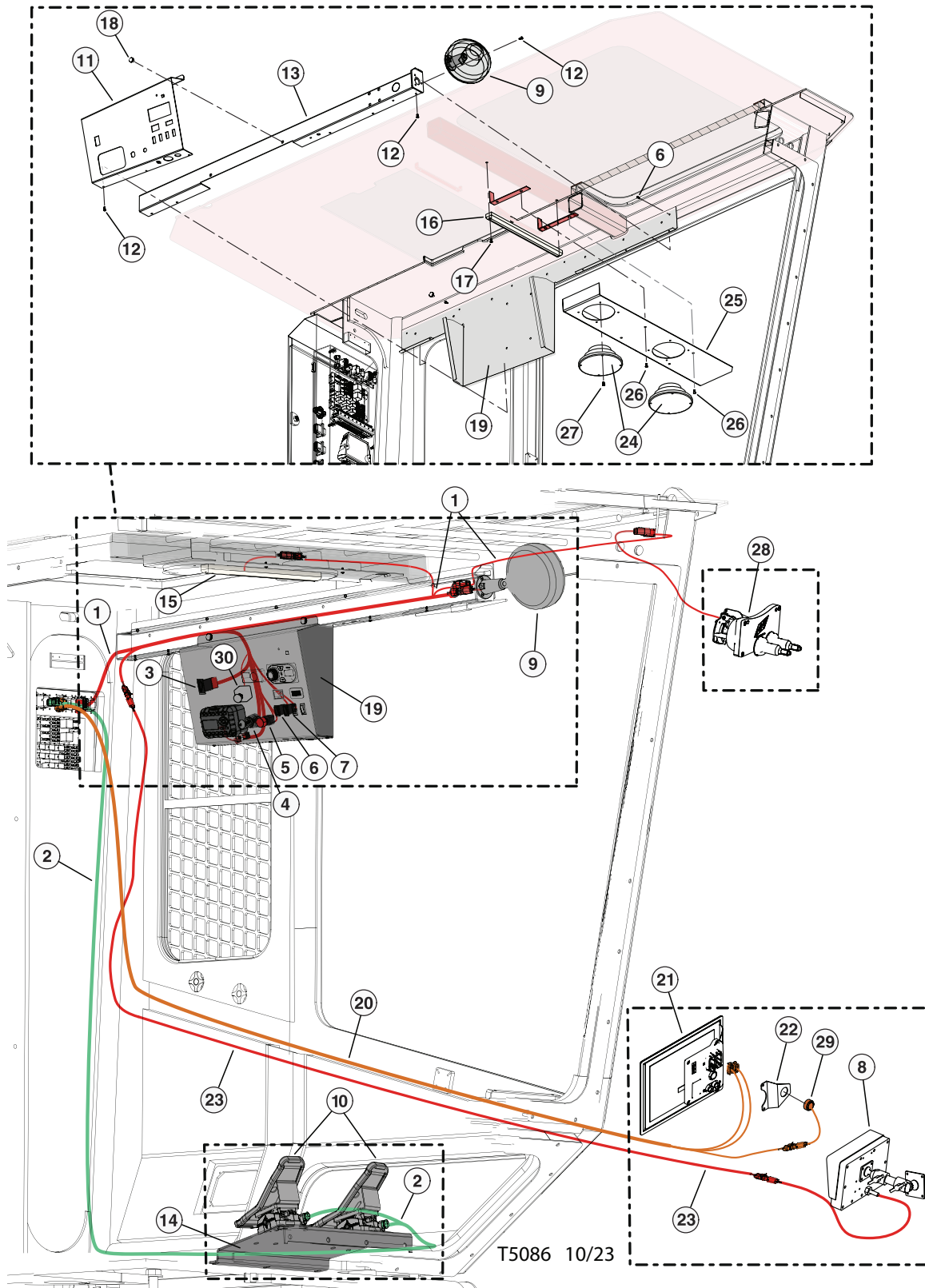
OPERATOR CAB ELECTRICAL SYSTEM

MD4 SCREEN ASSM. AND HARNESS AND FRONT DOOR LIGHTS AND HARNESS

REF	PART #	QTY	DESCRIPTION	SEE SECTION
1	59006	1	HARNESS, CAB TO BULKHEAD LOGLOADER	
2	59005	1	HARNESS, CAB TO BULK POWER LOG LOADER	
3	55264	1	SWITCH, LIMIT - GULLWING (MAGNETIC)	
4	59028	1	HARNESS, LOGLOADER CAB POWER	
5	63556	1	PLATE, CONNECTOR MOUNT - LOG LOADER	

OPERATOR CAB ELECTRICAL SYSTEM

MD4 SCREEN ASSM. AND HARNESS AND FRONT DOOR LIGHTS AND HARNESS



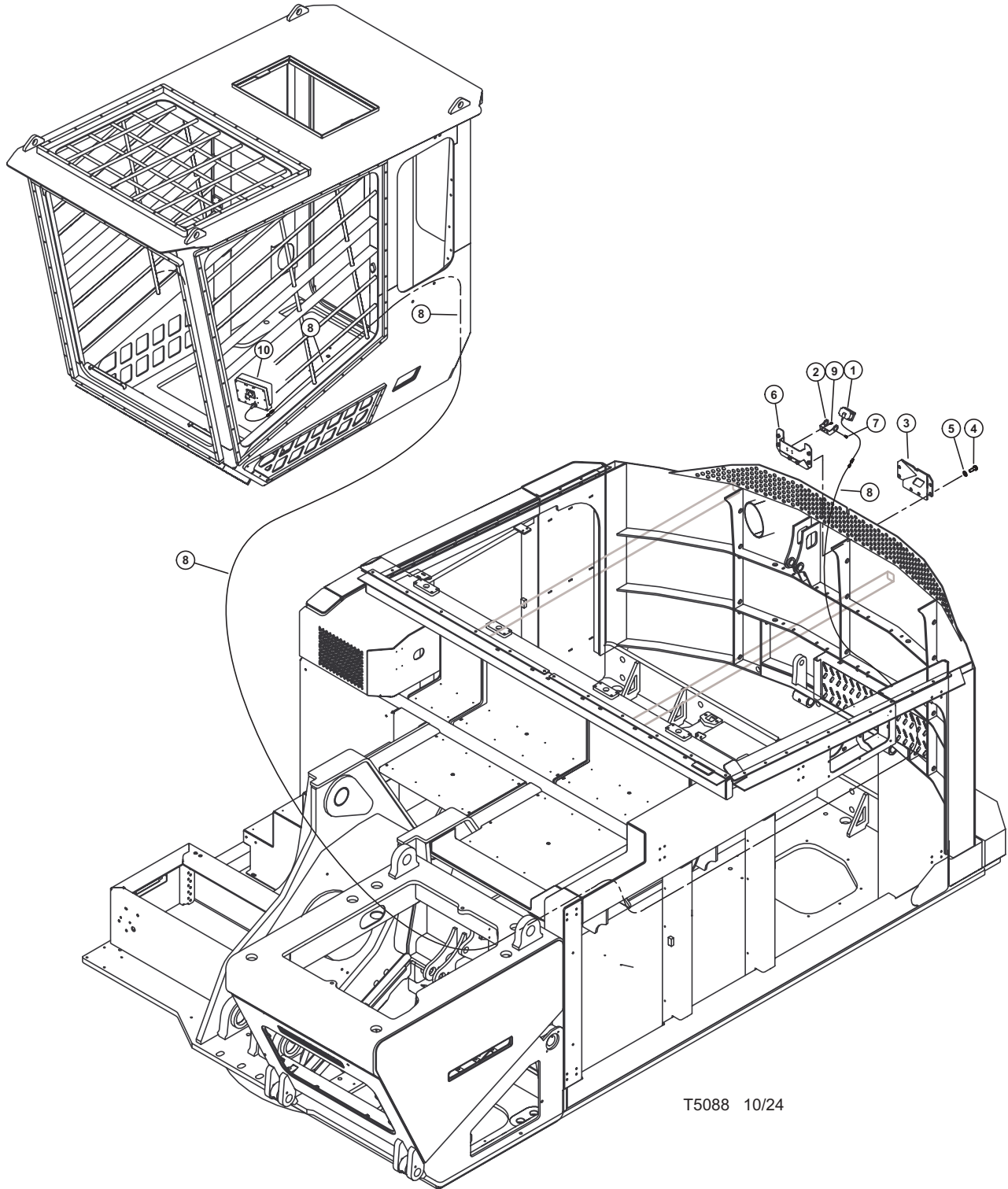
OPERATOR CAB ELECTRICAL SYSTEM

MD4 SCREEN ASSM. AND HARNESS AND FRONT DOOR LIGHTS AND HARNESS

REF	PART #	QTY	DESCRIPTION	SEE SECTION
1	59019	1	HARNESS, CAB - Dash Controls LL-Series	
2	59018	1	HARNESS, CAB - Foot Pedals LL-Series	
3	51674	1	CONNECTOR - OTTO (3 PER) R2 switch (LABEL: VACUUM VENT)	
4	52414	1	SWITCH, IGNITION (INDAK)	
5	53242	1	SWITCH, EMERGENCY STOP	
6	51664	1	SWITCH, LIGHT - OTTO (1 PER) (LABEL: LIGHTS)	
7	51664	1	SWITCH, LIGHT - OTTO (1 PER) (LABEL: DOME)	
8	52557	1	CAMERA, MONITOR	
9	23279	1	FAN, WINDSHIELD DEFROST - 24V	
10	57801	2	PEDAL, FOOT CONTROL -D SERIES	
11	63550	1	WELDMENT, CONSOLE - LOG LOADER	
12	(CALL)	3	Screw, Machine	
13	63551	1	WELDMENT, WIRE CHANNEL - LOG LOADER	
14	63320	1	WELDMENT, DRIVE PEDAL MOUNT - LOG LOADER	
15	23614	1	LIGHT, DOME - 24V	
17	(CALL)	2	#8x1/2 Screw	
18	(CALL))	2	Screw, Machine	
19	63555	1	WELDMENT, CONSOLE MOUNT - LOG LOADER	
20	55392	1	HARNESS, MD4 Harness	
21	57385	1	MODULE, MD4 - 10" SCREEN LARGE	
22	47502	1	PLATE, BEEPER MOUNT: MD4-10 SCREEN	
23	(CALL)	1	HARNESS, CAMERA	
24	57857	2	SPEAKER, CAB - D-SERIES	
25	63407	1	PLATE, SPEAKER MTG	
26	(CALL)	4	Screw, Machine	
27	(CALL)	8	Screw, Machine	
28	64751	1	MOTOR ASSY, DUAL DRIVER WIPER, 24V	
29	53115	1	SIREN, WARNING - D SERIES DASH	
30	61621	1	SWITCH, 2 SPD 24V WIPER/WASHER	

OPERATOR CAB ELECTRICAL SYSTEM

GULLWING DOOR CAMERA INSTALLATION AND WIRE HARNESS



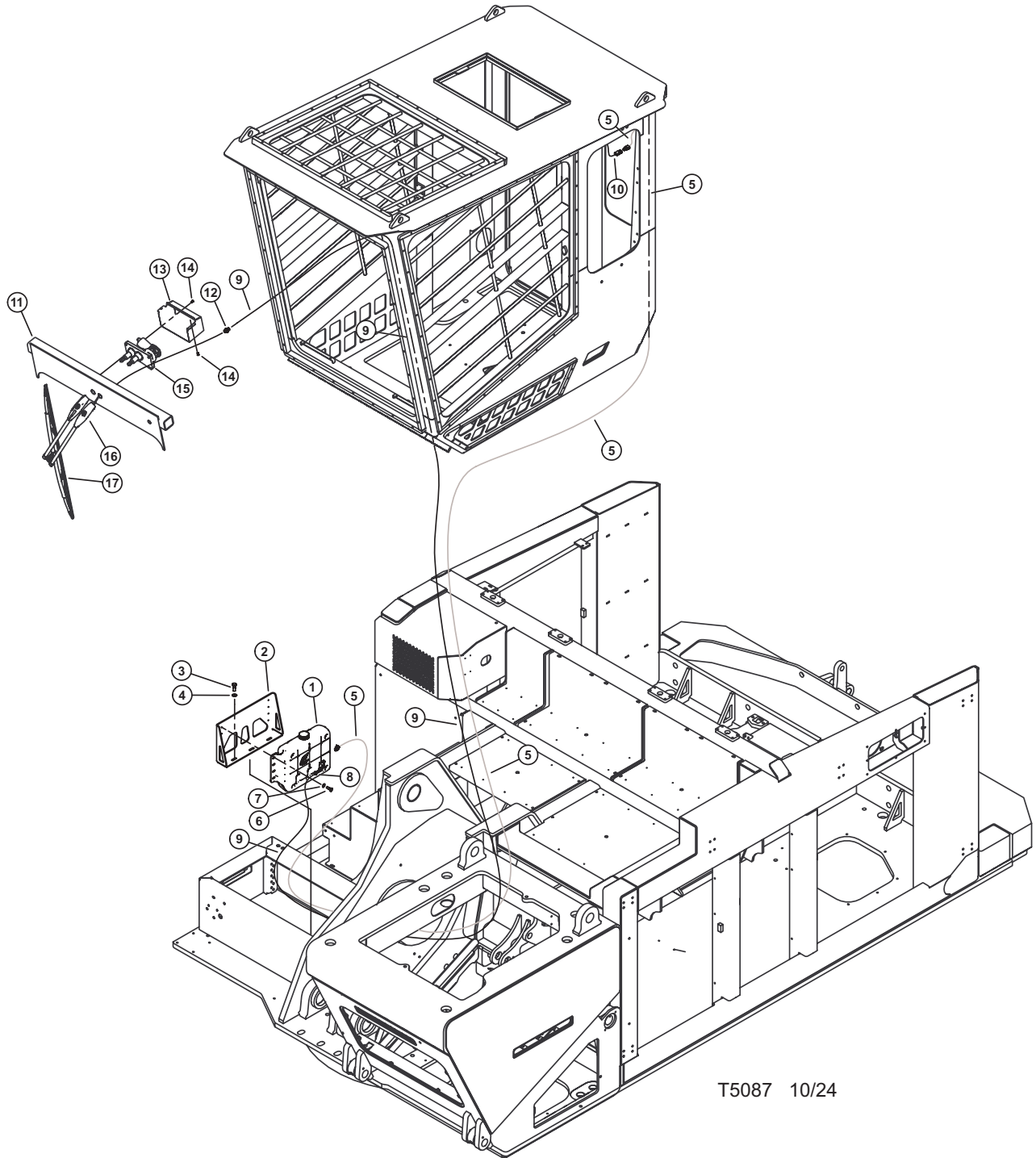
T5088 10/24

OPERATOR CAB ELECTRICAL SYSTEM

GULLWING DOOR CAMERA INSTALLATION AND WIRE HARNESS

REF	PART #	QTY	DESCRIPTION	SEE SECTION
1	52557	1	CAMERA BODY	
2	52557	1	CAMERA MOUNT	
3	65656	1	WELDMENT, REARVIEW CAMERA COVER	
4	10402	4	BOLT - .375" X 1.25"	
5	15528	4	WASHER, SAE FLAT - .375"	
6	65657	1	WELDMENT, REARVIEW CAMERA HOUSING	
7	(CALL)	2	SCREW	
8	(CALL)	1	CAMERA CABLE	
9	16129	4	SCREW, MACHINE - #10-24 X .75"	
10	52557	1	CAMERA, MONITOR	

OPERATOR CAB ELECTRICAL SYSTEM WINDSHIELD WASHER TANK AND ELEC. HARNESS INSTALLATION



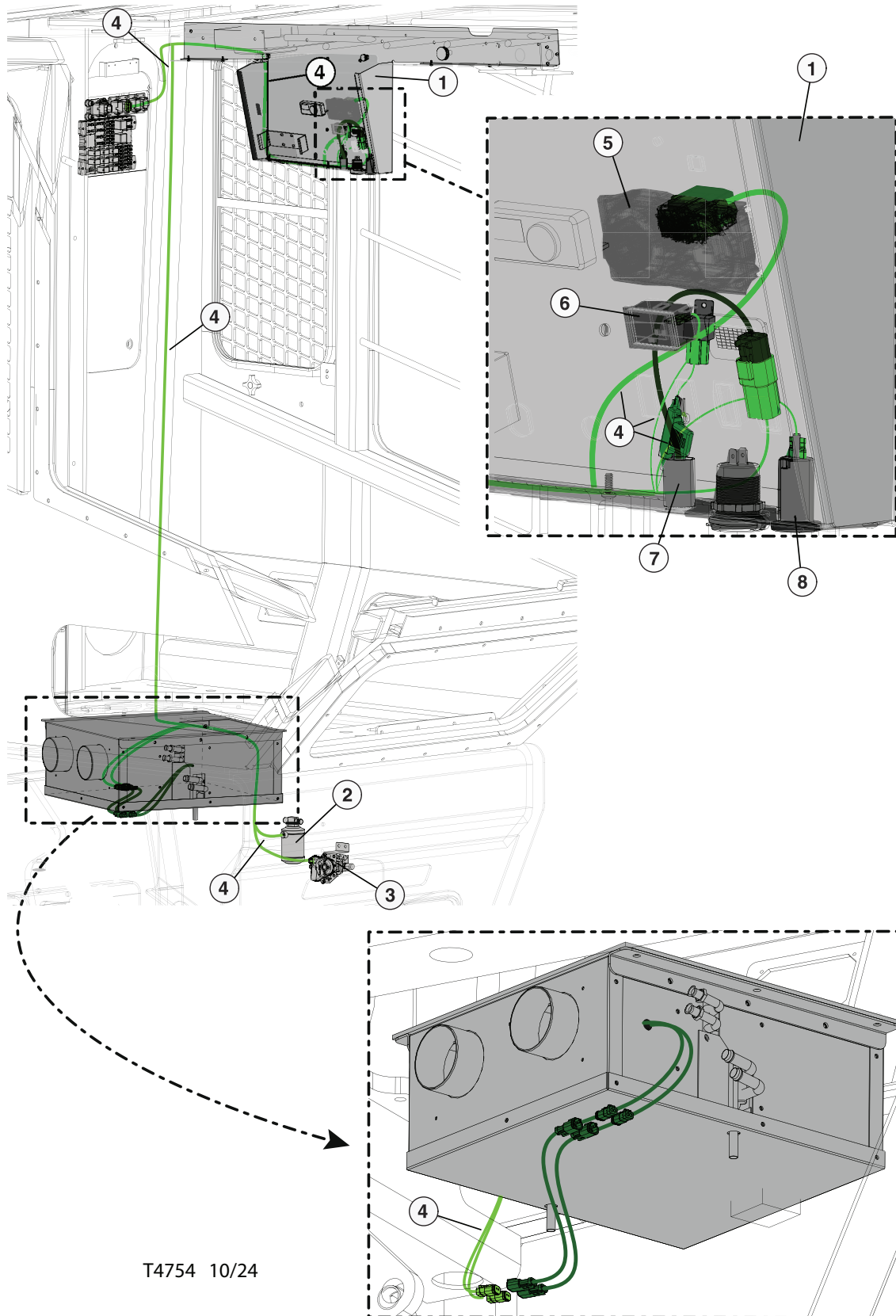
T5087 10/24

OPERATOR CAB ELECTRICAL SYSTEM WINDSHIELD WASHER TANK AND ELEC. HARNESS INSTALLATION

REF	PART #	QTY	DESCRIPTION	SEE SECTION
1	64754	1	WASHER BOTTLE TANK & PUMP - 24V	
2	66272	1	PLATE, WASHER TANK SUPPORT	
3	11707	3	BOLT - .375" X 1.00"	
4	15528	3	WASHER, SAE FLAT - .375"	
5	(CALL)	1	HARNESS, WINDSHIELD WASHER PUMP	
6	15604	6	BOLT - .25" X .75"	
7	10757	6	WASHER, SAE FLAT - .25"	
8	(CALL)	1	MINIATURE CLAMP SS 3/16 TO 5/8"	
9	(CALL)	AR	UNIVERSAL VACUUM/WIPER/WASHER TUBE 7/32" ID	
10	59019	1	HARNESS, CAB - Dash Controls LL-Series	
11	(CALL)	1	VACUUM HOSE CONNECTOR 1/4 X 1/4"	
12	61615	1	COVER, WIPER MOTOR	
13	(CALL)	2	Screw, Machine	
14	64751	1	MOTOR ASSY, DUAL DRIVER WIPER, 24V	
15	64752	1	ARM, HD, DD - 33" WET	
16	64753	1	BLADE, 45" FLEX	

OPERATOR CAB ELECTRICAL SYSTEM

HVAC & DASH PANEL COMPONENTS ELEC. HARNESS & INSTALLATION



T4754 10/24

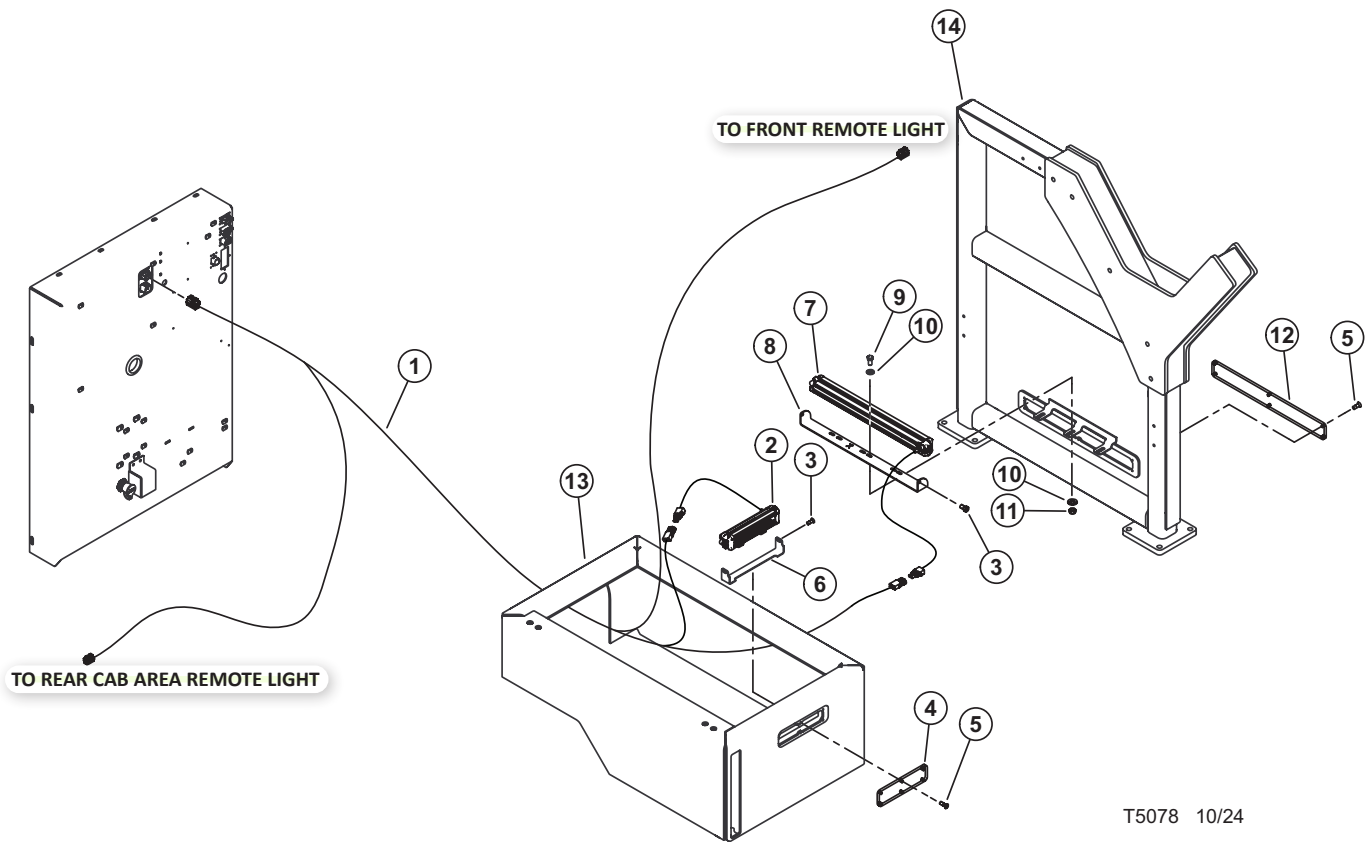
OPERATOR CAB ELECTRICAL SYSTEM

HVAC & DASH PANEL COMPONENTS ELEC. HARNESS & INSTALLATION

REF	PART #	QTY	DESCRIPTION	SEE SECTION
1	63555	1	WELDMENT, CONSOLE MOUNT - LOG LOADER	
2	50937	1	FILTER-DRYER-RECEIVER	
3	58069	1	WATER VALVE	
4	59020	1	HARNESS, CAB - Heat A/C Contr LL-Series	
5	(CALL)	1	CLIMATE CONTROLLER	
6	52401	1	GAUGE, HOUR METER - CURRENT	
7	22869	1	SENSOR, TEMPERATURE CONTROL	
8	55662	1	POWER, POINT - AUX - C SERIES	

OPERATOR CAB ELECTRICAL SYSTEM

FRONT WORK LIGHT INSTALL & ELEC. HARNESS



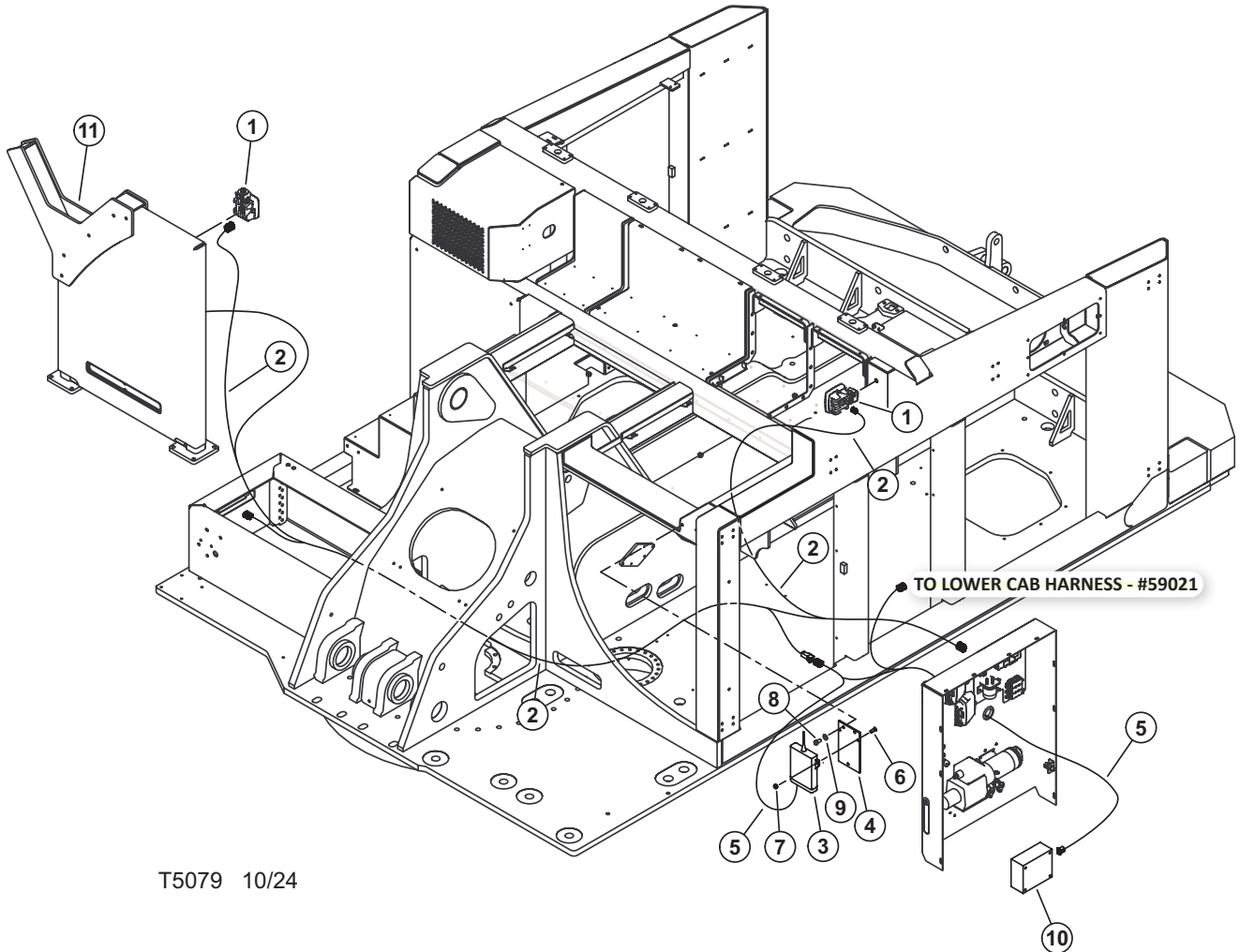
OPERATOR CAB ELECTRICAL SYSTEM

FRONT WORK LIGHT INSTALL & ELEC. HARNESS

REF	PART #	QTY	DESCRIPTION SEE SECTION
1	59031	1	HARNESS, LOG LOADER EXTERIOR LIGHT HARNESS
2	59042	1	LIGHT BAR, 6 LED
3	(CALL)	4	BOLT - M10 X 20
4	(CALL)	1	LEXAN, 6 LED LIGHT GUARD
5	15604	12	BOLT (BUTTON HEAD) - .25" X .75"
6	66199	1	LIGHT BRACKET (WELD ON)
7	59047	1	LIGHT BAR, 15LED (VISIONX)
8	61555	1	PLATE, 15LED MT, VISIONX
9	15576	3	BOLT - .25" X 1.00"
10	10800	6	WASHER SAE, FLAT - .25"
11	15509	3	NUT NYLOCK - .25"
12	49335	1	LEXAN, LIGHT GUARD
14	62390	1	TOOLBOX WELDMENT
15	62340	1	FRONT BUTT PLATE

OPERATOR CAB ELECTRICAL SYSTEM

REMOTE FRONT LIGHT ELEC. HARNESS & INSTALLATION



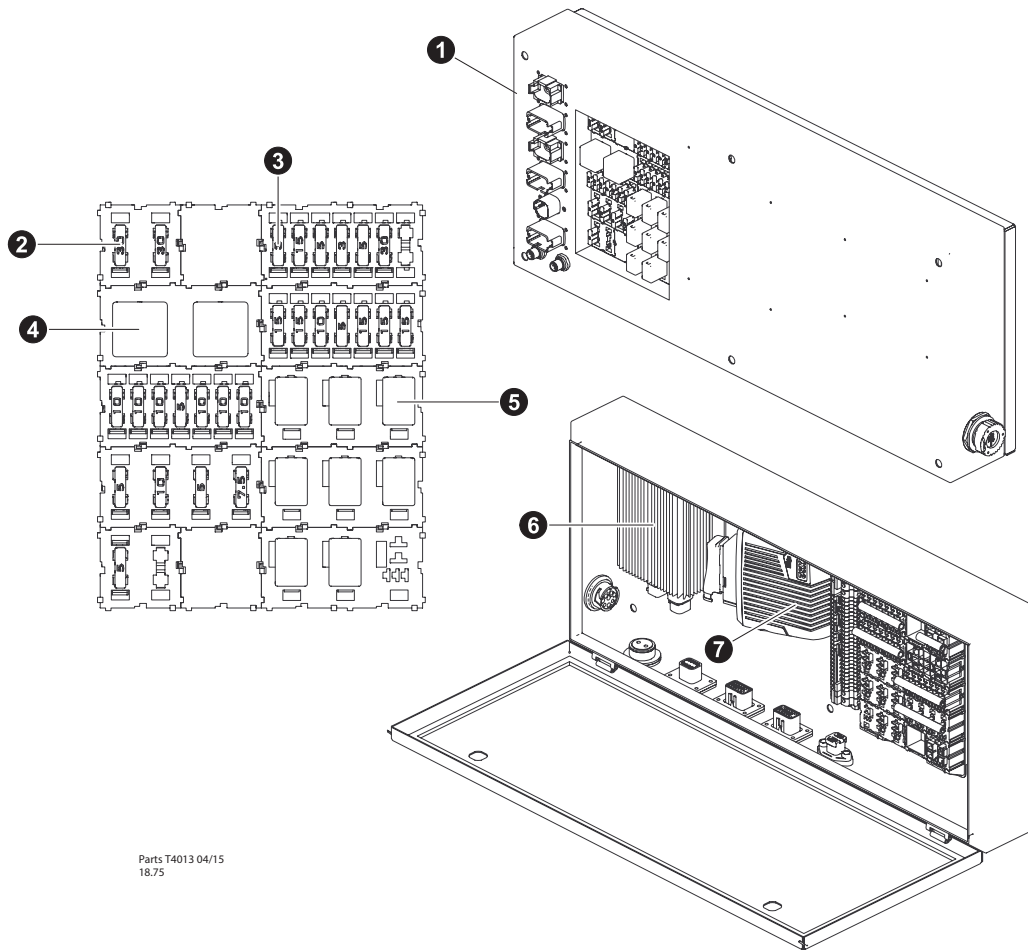
T5079 10/24

OPERATOR CAB ELECTRICAL SYSTEM

REMOTE FRONT LIGHT ELEC. HARNESS & INSTALLATION

REF	PART #	QTY	DESCRIPTION SEE SECTION
1	59044	2	LIGHT CUBE - 6LED
2	59031	1	HARNESS, LOGLOADER EXT LIGHT HARNESS
3	65272	1	REMOTE LIGHT TRANSMITTER
4	65669	1	MOUNTING PLATE
5	65279	1	HARNESS
6	(CALL)	3	SCREW
7	(CALL)	3	NUT, LOCK
8	15605	2	BOLT - .3125" X .75"
9	15559	2	WASHER, SAE FLAT - .3125"
10	65274	1	ENCLOSURE
11	62340	1	FRONT BUTT PLATE
	65270	1	RELAY TIMER (NOT SHOWN)

OPERATOR CAB ELECTRICAL SYSTEM MAIN ELECTRICAL CENTER ASSEMBLY



Parts T4013 04/15
18.75

REF	PART #	QTY	DESCRIPTION	SEE SECTION
1	55189	1	<input type="checkbox"/> LOAD CENTER	
2	50401	2	FUSE, ATO - 30 AMP (SPADE STYLE)	
3	24511	2	FUSE, ATO - 3 AMP (SPADE STYLE)	
	24533	7	FUSE, ATO - 5 AMP (SPADE STYLE)	
	24534	1	FUSE, ATO - 7.5 AMP (SPADE STYLE)	
	24512	8	FUSE, ATO - 10 AMP (SPADE STYLE)	
	50400	6	FUSE, ATO - 15 AMP (SPADE STYLE)	
	50401	1	FUSE, ATO - 30 AMP (SPADE STYLE)	
4	24323	2	RELAY, 896H-1CH-D-24VDC (SPDT 30/50A 24VDC)	
5	53645	8	RELAY, AZ988-1C-24DE-C1 (SPDT 30A 24VDC)	
6	55483	1	CONVERTER, 24V TO 12V	
7	53095	1	MODULE, XA2 - IQAN	
-	51753	1	KIT, ELECTRICAL- FUSE/RELAY - 24V	

PAGE INTENTIONALLY LEFT BLANK

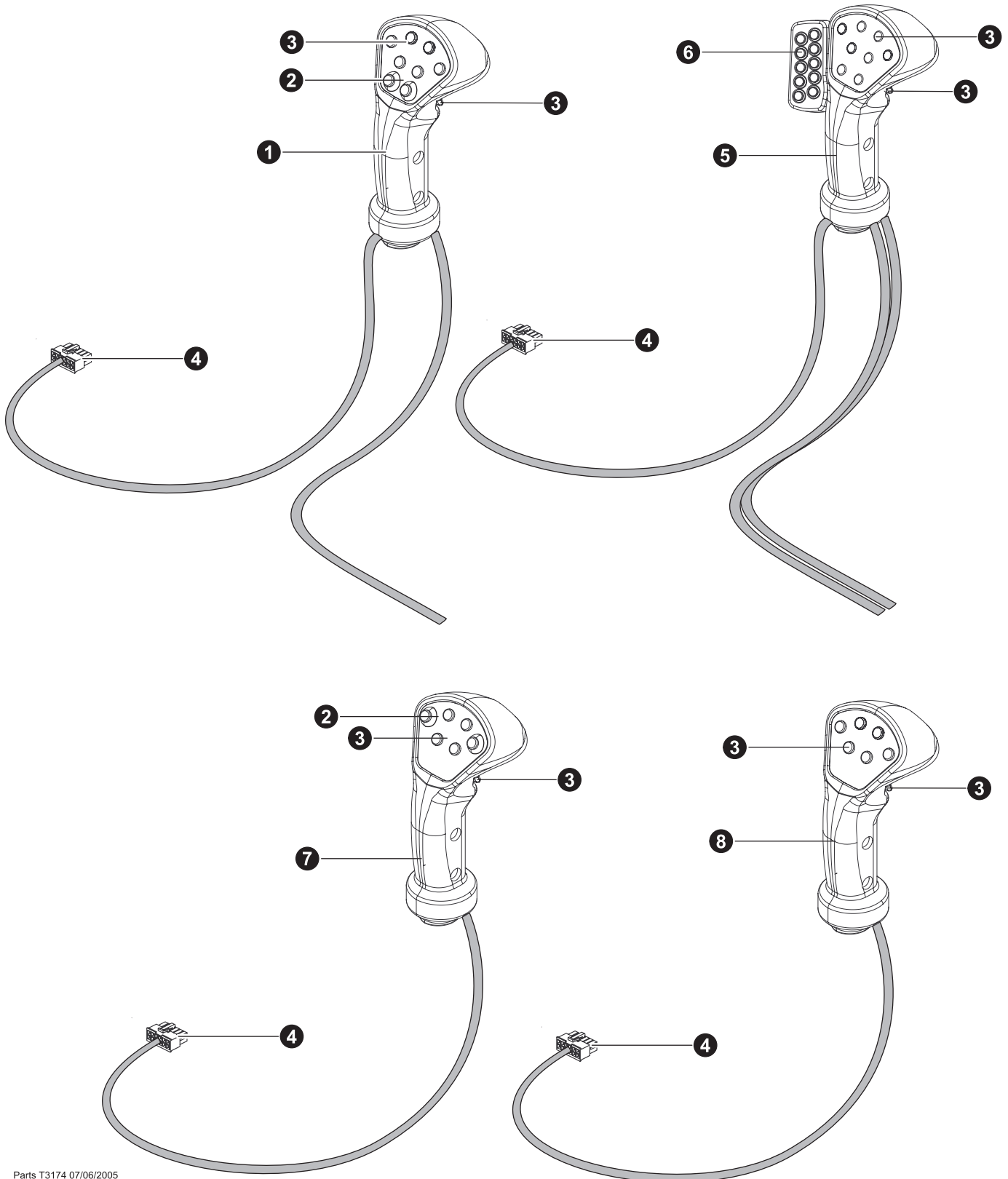
OPERATOR CAB ELECTRICAL SYSTEM

IQAN LEFT AND RIGHT CONTROL PODS

REF	PART #	QTY	DESCRIPTION	SEE SECTION
1	55422	1	POD, JOYSTICK - RH (C&D RH TRACK)	
2	54126	1	JOYSTICK, MDL (P&G) CAN RIGHT	
3	55666	1	Panel, 6-Switch RIGHT Side	
4	55703	1	THUMBWHEEL - Travel Speed	
5	55707	1	BOARD, CAN DRIVER - RH (PLASTIC POD)	
6	(CALL)	2	KNOB	
7		1	COVER, SWITCHES	
8		1	SPACER, SWITCHES	
9		1	BUTTON, BLANK	
-		1	BUTTON, DISC SAW	
-	(CALL)	1	BUTTON, MOTOR SHIFT	
10	55417	1	POD, JOYSTICK - LH (C&D SERIES) WHEEL/TRACK	
11	54125	1	JOYSTICK, MDL (P&G) CAN LEFT	
12	55667	1	Panel, 6-Switch LEFT Side	
13	55703	1	THUMBWHEEL - Engine Speed	
14	55708	1	BOARD, CAN DRIVER - LH (PLASTIC POD)	
15	(CALL)	2	KNOB	
16		1	COVER, SWITCHES	
17		1	SPACER, SWITCHES	
18		1	BUTTON, BLANK	
-		1	BUTTON, ARMING	
-		1	BUTTON, CHARGE HEATER	
-		1	BUTTON, PARKING BRAKE	
-		1	BUTTON, HORN	
-	(CALL)	1	BUTTON, AUTO THROTTLE	
19	57423	1	JOYSTICK, STEER - PLASTIC POD	

OPERATOR CAB ELECTRICAL SYSTEM

HAND CONTROL BREAKDOWN



Parts T3174 07/06/2005
50.00

OPERATOR CAB ELECTRICAL SYSTEM

HAND CONTROL BREAKDOWN

REF	PART #	QTY	DESCRIPTION	SEE SECTION
1	51567	1	HAND CONTROL, SURE GRIP - LH (LOGMAX)	
2	51947	2	SWITCH, PUSH BUTTON REPAIR KIT (PROPORTIONAL)	
-	52094	2	KIT, REPAIR - PROPORTIONAL BUTTON COVER	
3	20961	8	SWITCH, PUSH BUTTON (DIGITAL)	
4	(CALL)	1	CONNECTOR, PLUG - 12 PIN MOLEX	
5	51566	1	HAND CONTROL, SURE GRIP - RH W/KEYPAD (LOGMAX)	
6	52095	10	SWITCH, PUSH BUTTON (SURE GRIP KEYPAD)	
7	55656	1	HAND CONTROL, UPPER - SURE GRIP - Digital and Proportional	
8	55655	1	HAND CONTROL, UPPER - SURE GRIP - Digital Buttons Only	

