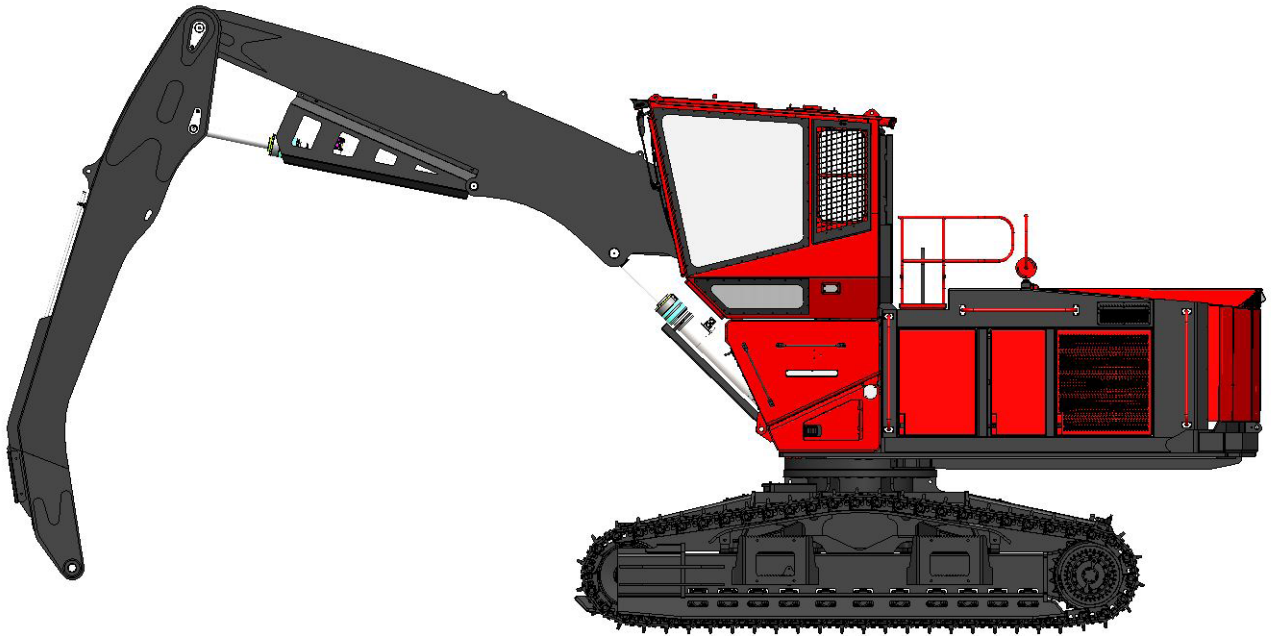


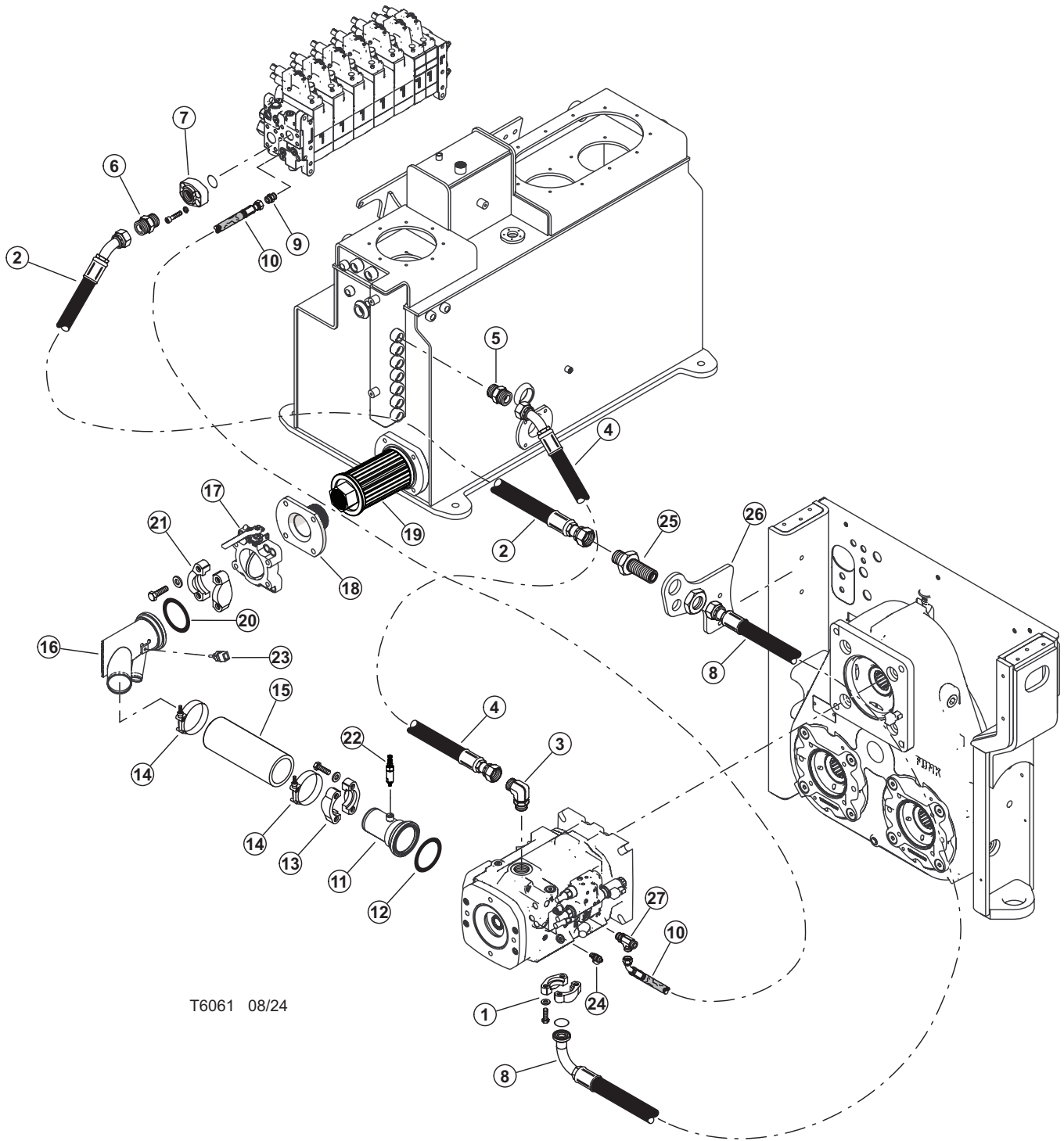
# SECTION LH-1

## LOG LOADER HYDRAULICS ASSEMBLY AND INSTALLATION



# LOG LOADER HYDRAULICS ASSEMBLY AND INSTALLATION

## 210 CC IMPLEMENT PUMP INSTALLATION



T6061 08/24

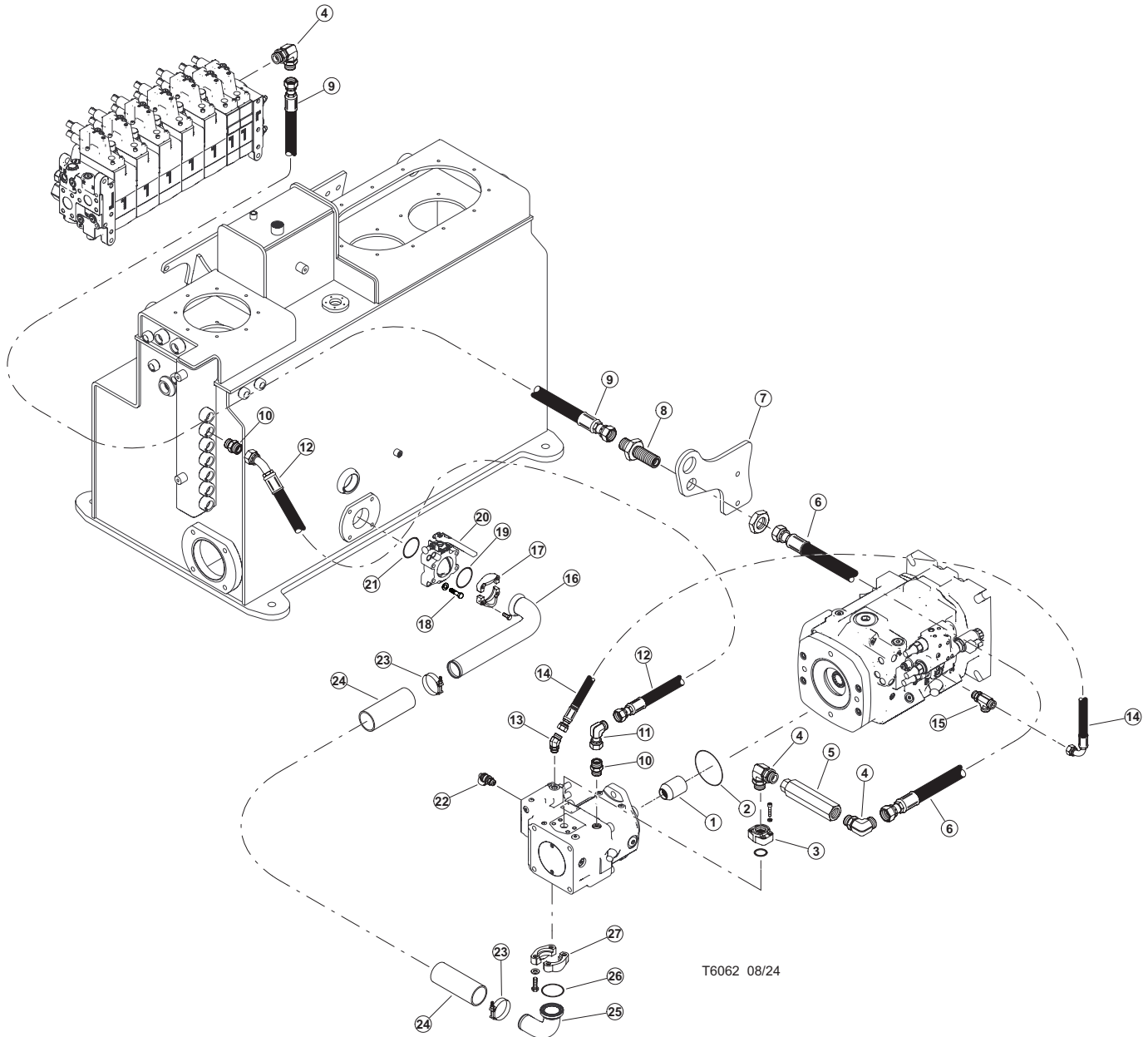
## LOG LOADER HYDRAULICS ASSEMBLY AND INSTALLATION

### 210 CC IMPLEMENT PUMP INSTALLATION

REF	PART #	QTY	DESCRIPTION	SEE SECTION
1	(CALL)	1	SPLIT FLANGE	
2	(KIT - 59057)	1	HOSE ASSY - 787TC43.5 24-24OS-2404-SW	
3	15228	1	ELBOW, 90 - FF1868T-1616S	
4	(KIT - 59057)	1	HOSE ASSY - 187TC46 16-16OS-16O4	
5	18406	1	CONNECTOR, STR - FF1852T-1612S	
6	(CALL)	1	CONNECTOR, STR - F5OLO-S 20 ORB-24ORF ST	
7	17016	1	#20 CODE 62 BLOCK	
8	(KIT - 59057)	1	HOSE ASSY - 787TC51.5 24-24OS-24PH9-SW	
9	18034	1	CONNECTOR, STR - FF1852T-0606S	
10	(KIT - 59057)	1	HOSE ASSY - 787TC107 06-06OS-06O4-W	
11	60835	1	TUBE, SUCTION	
12	58992	1	O-RING, SUCTION ELBOW	
13	58139	1	FLANGE, 13001H-5656K	
14	15613	2	CLAMP, STRAP BAND - 3.5"	
15	(KIT - 59057)	1	SUCTION HOSE - 811HT23.5 48-0-0	
16	42461	1	TUBE, SUCTION - 4" FLANGE - W/ DISC SAW	
17	54786	1	VALVE, BUTTERFLY (4" )	
18	42306	1	PLATE, INTER.-SUCTION PORT 100mm VALVE	
19	15842	1	FILTER, SCREEN - IMPLEMENT	
20	51726	1	ORING, HDYRAULIC TANK	
21	51625	1	KIT, FLANGE - SUCTION TUBE (4" )	
22	55615	1	FITTING, ADAPTOR - BLEED - SUCTION TUBE	
23	24531	1	TRANSDUCER, HYD TEMP	
24	57820	1	TAP, GAUGE PORT # 6 SAE - Oring Boss	
25	(CALL)	1	#24 STR BULKHEAD FITTING	
26	62621	1	PLATE, PUMP FEED PSI BH	
27	55701	1	FITTING, TEE - 6 R5OX-S	

# LOG LOADER HYDRAULICS ASSEMBLY AND INSTALLATION

## 60 CC AUXILIARY HYDRAULIC PUMP INSTALLATION



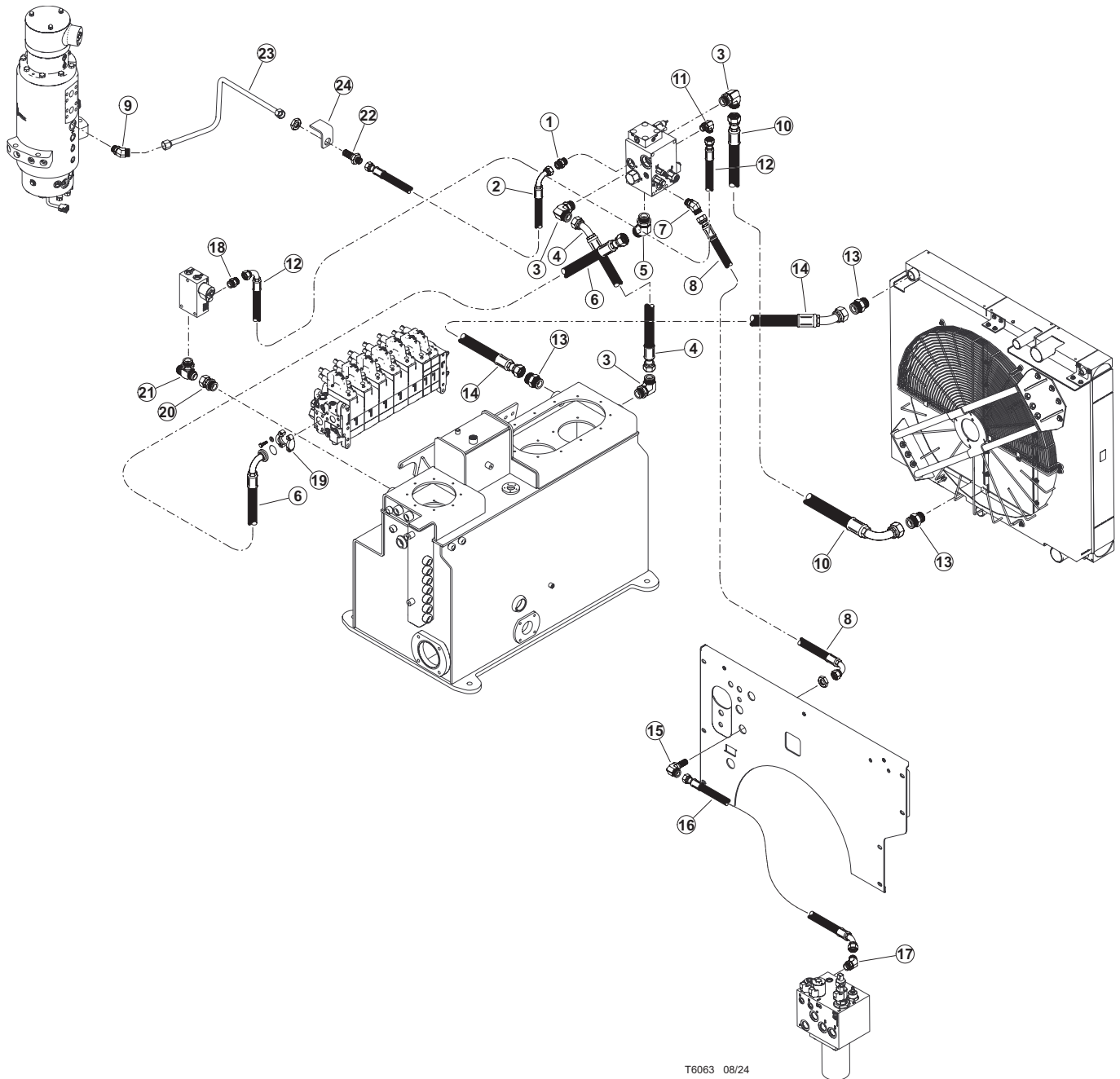
# LOG LOADER HYDRAULICS ASSEMBLY AND INSTALLATION

## 60 CC AUXILIARY HYDRAULIC PUMP INSTALLATION

REF	PART #	QTY	DESCRIPTION	SEE SECTION
1	(CALL)	1	COUPLER	
2	58256	1	O-RING, THRU-DRIVE	
3	19808	1	CONNECTOR, FLANGE PAD -FP62-12-12ORB-MK	
4	19128	3	ELBOW, 90 - FF1868T-1216S	
5	54192	1	VALVE, CHECK - DUAL FLOW (1" - 7 PSI)	
6	(KIT - 59057)	1	HOSE ASSY - 787TC32.5 16-16OS-16OS-SW	
7	62621	1	PLATE, PUMP FEED PSI BH	
8	20033	1	CONNECTOR, STR BULKHEAD - 832-TT-16	
9	(KIT - 59057)	1	HOSE ASSY - 787TC84 16-16OS-16OS-SW	
10	15152	2	CONNECTOR, STR - FF1852T-1212S	
11	17670	1	ELBOW, 90 SWIVEL - FF2098T-1212S	
12	(KIT - 59057)	1	HOSE ASSY - 187TC50 12-12OS-12O4	
13	17646	1	ELBOW, 45 - FF2068T-0406S	
14	(KIT - 59057)	1	HOSE ASSY - 387TC28 06-06OS-06O9	
15	55701	1	FITTING, TEE - 6 R5OX-S	
16	62618	1	WELDMENT, SUCTION TUBE~DISC	
17	15193	1	KIT, SPLIT FLANGE - 2.5" (CODE 61)	
18	15551	4	BOLT - 12MM-1.75P X 40MM	
19	(CALL)	1	O-RING	
20	57834	1	VALVE, BUTTERFLY (2.5") - DISC SAW	
21	(CALL)	1	O-RING	
22	57819	1	TAP, GAUGE PORT - #4 SAE Oring Boss- ST	
23	(CALL)	2	CLAMP	
24	(KIT - 59057)	1	SUCTION HOSE - 811HT44.5 32-0-0	
25	55713	1	FLANGE, ELBOW - 1988-32-32	
26	(CALL)	1	O-RING	
27	21226	1	KIT, SPLIT FLANGE - 2.0" (CODE 61)	

# LOG LOADER HYDRAULICS ASSEMBLY AND INSTALLATION

## HOC MANIFOLD & HYDRAULIC OIL COOLER CONNECTIONS



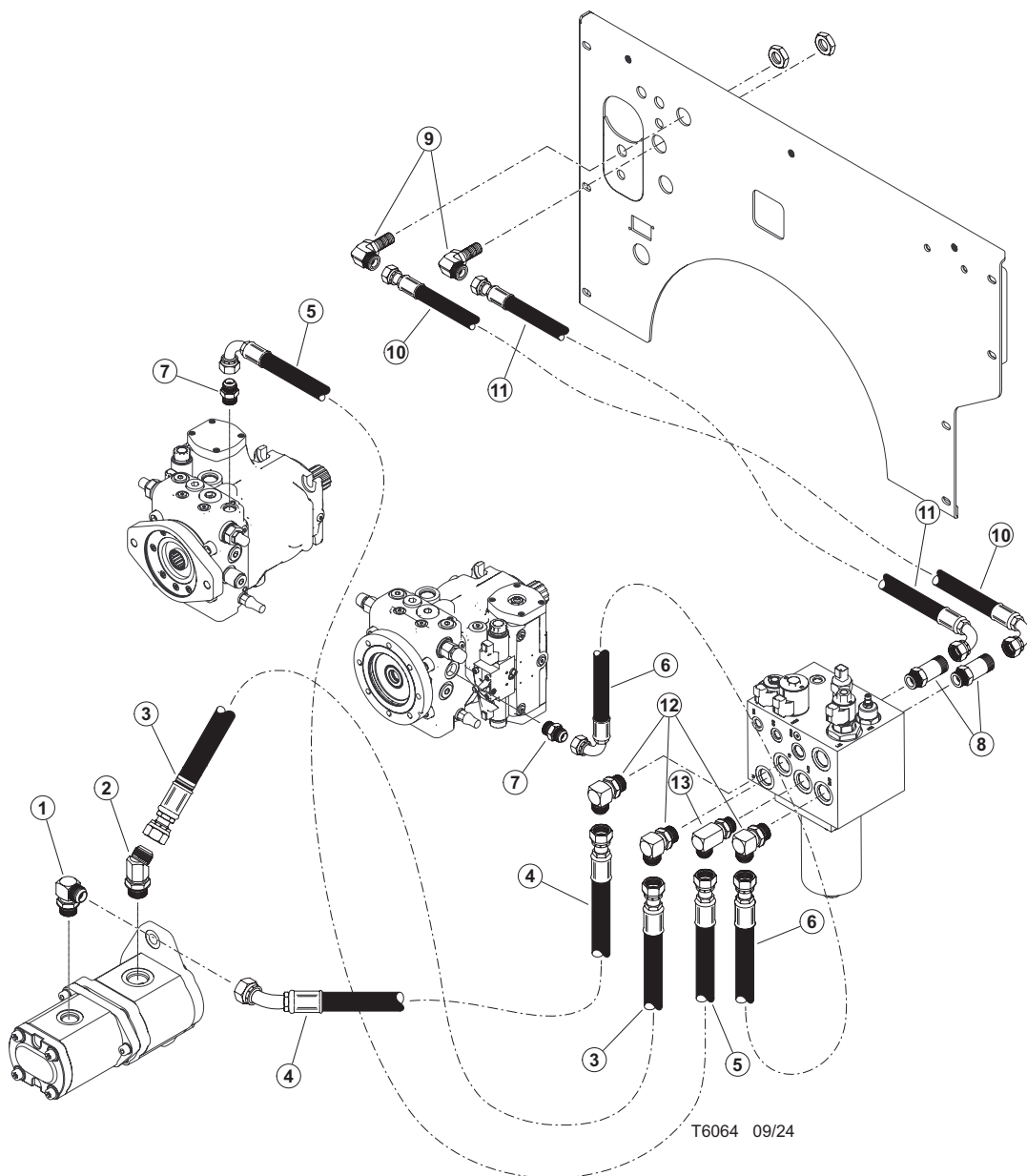
## LOG LOADER HYDRAULICS ASSEMBLY AND INSTALLATION

### HOC MANIFOLD & HYDRAULIC OIL COOLER CONNECTIONS

REF	PART #	QTY	DESCRIPTION	SEE SECTION
1	15226	1	CONNECTOR, STR - FF1852T-1216S	
2	(KIT - 59057)	1	HOSE ASSY - 187TC89 12-12JS-12O9-SW - (FLUSH)	
3	59007	3	FITTING, 24-C5OLO-S	
4	(CALL)	1	HOSE ASSY - 187TC40 24-24OS-24O4 - (HOC TO TANK)	
5	24257	1	ELBOW, 45 - FF2068T-2424S	
6	(KIT - 59057)	1	HOSE ASSY - 187TC68 24-24OS-24PH9-SW - (VALVE TO HOC)	
7	15485	1	ELBOW, 45 - 6802-12-16	
8	(KIT - 59057)	1	HOSE ASSY - 387TC103 12-12OS-12J9-SW	
9	15474	1	ELBOW, 45 - 6802-12	
10	(KIT - 59057)	1	HOSE ASSY - 187TC83 24-24OS-24O9-SW - (HOC TO COOLER)	
11	16360	1	ELBOW, 90 - FF1868T-0808S	
12	(KIT - 59057)	1	HOSE ASSY - 387TC64 08-08OS-08O9-SW - (HOC TO CASE DRAIN MANIFOLD)	
13	58259	2	FITTING, STRAIGHT 24 FF50LO-S	
14	(KIT - 59057)	1	HOSE ASSY - 187TC21 24-24OS-24O4 - (COOLER RETURN TO TANK)	
15	54704	1	ELBOW, 90 BULK 12 WETX-WLN-S	
16	656840	1	HOSE ASSY - 722TC19 12-12JS-12J4	
17	19127	1	ELBOW, 45 - FF2068T-1212S	
18	15117	1	CONNECTOR, STR - FF1852T-0808S	
19	15186	1	KIT, SPLIT FLANGE - 1.5" (CODE 61)	
21	55622	1	TEE, BRANCH - STRAIGHT THREAD #16	
20	57513	1	FITTING, 16F65OX-S	
22	18781	1	CONNECTOR, STR BULKHEAD - 2705-1212	
23	62574	1	TUBELINE, -12, ROT MAN - LL	
24	48247	1	BULKHEAD MOUNT	

# LOG LOADER HYDRAULICS ASSEMBLY AND INSTALLATION

## CHARGE MANIFOLD HYD. HOSE CONNECTIONS





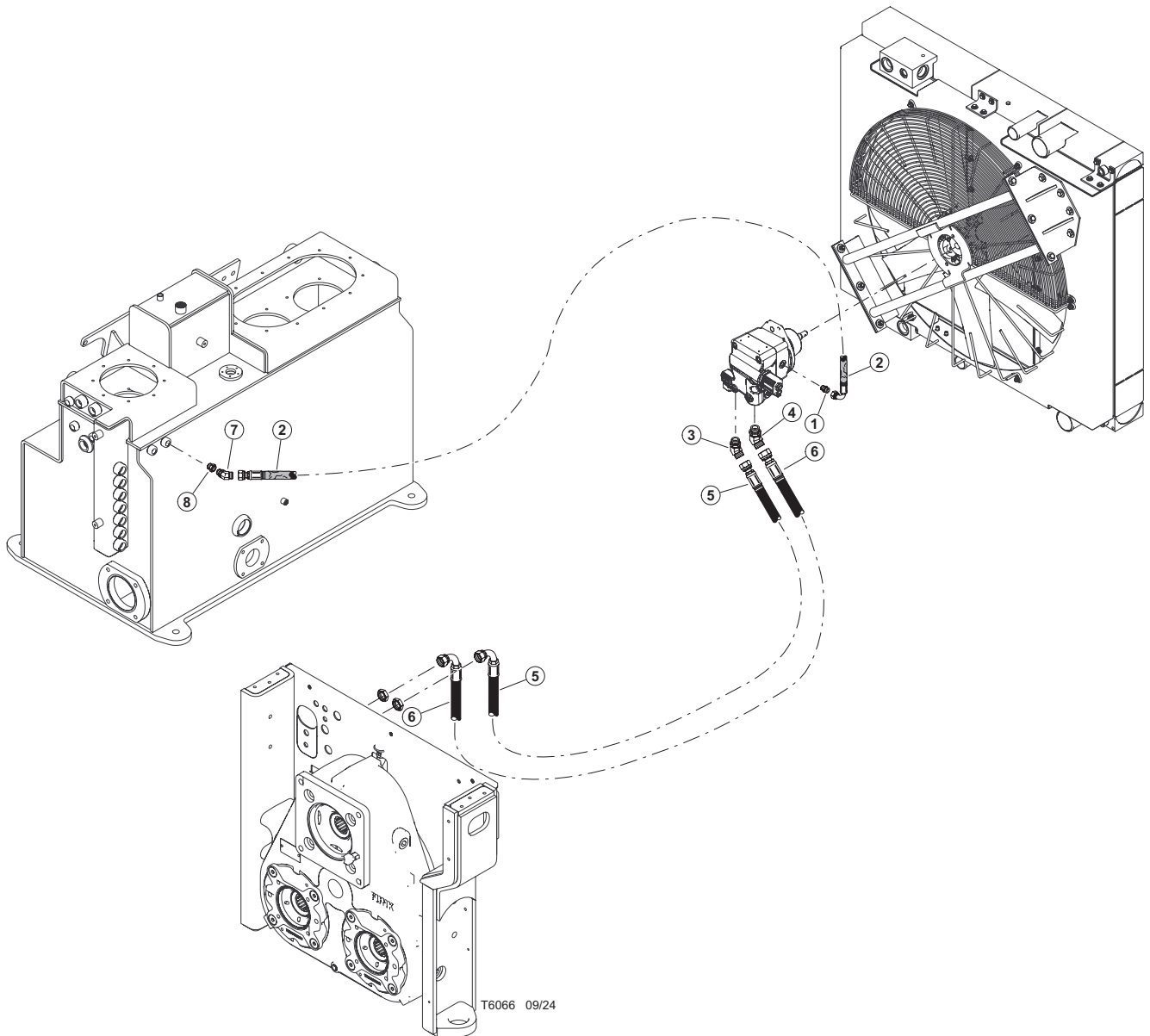
## LOG LOADER HYDRAULICS ASSEMBLY AND INSTALLATION

### CHARGE MANIFOLD HYD. HOSE CONNECTIONS

REF	PART #	QTY	DESCRIPTION	SEE SECTION
1	53032	1	ELBOW, 90 - 12 JIC X 10 ORB	
2	15474	1	ELBOW, 45 - 6802-12	
3	656850	1	HOSE, HYD, 722TC16.5 12-12JS-12JS	
4	656900	1	HOSE, HYD, 187TC22 12-12JS-12J4	
5	656890	1	HOSE, HYD, 187TC30 12-12JS-12J9	
6	656880	1	HOSE, HYD, 187TC18.5 12-12JS-12J9	
7	15494	2	CONNECTOR, STR - 6400-12-10	
8	19092	2	CONNECTOR, STR LONG - 848L-TTO-12X12	
9	54704	2	ELBOW, 90 BULK 12 WETX-WLN-S	
10	656870	1	HOSE, HYD, 187TC20.5 12-12JS-12J9	
11	656860	1	HOSE, HYD, 187TC19 12-12JS-12J9	
12	11306	3	ELBOW, 90 12 C5OX-S	
13	58379	1	ELBOW, LONG, 3/4 JIC(M) - 3/4 ORB(M)	

# LOG LOADER HYDRAULICS ASSEMBLY AND INSTALLATION

## HYD. COOLER FAN MOTOR HOSE CONNECTIONS



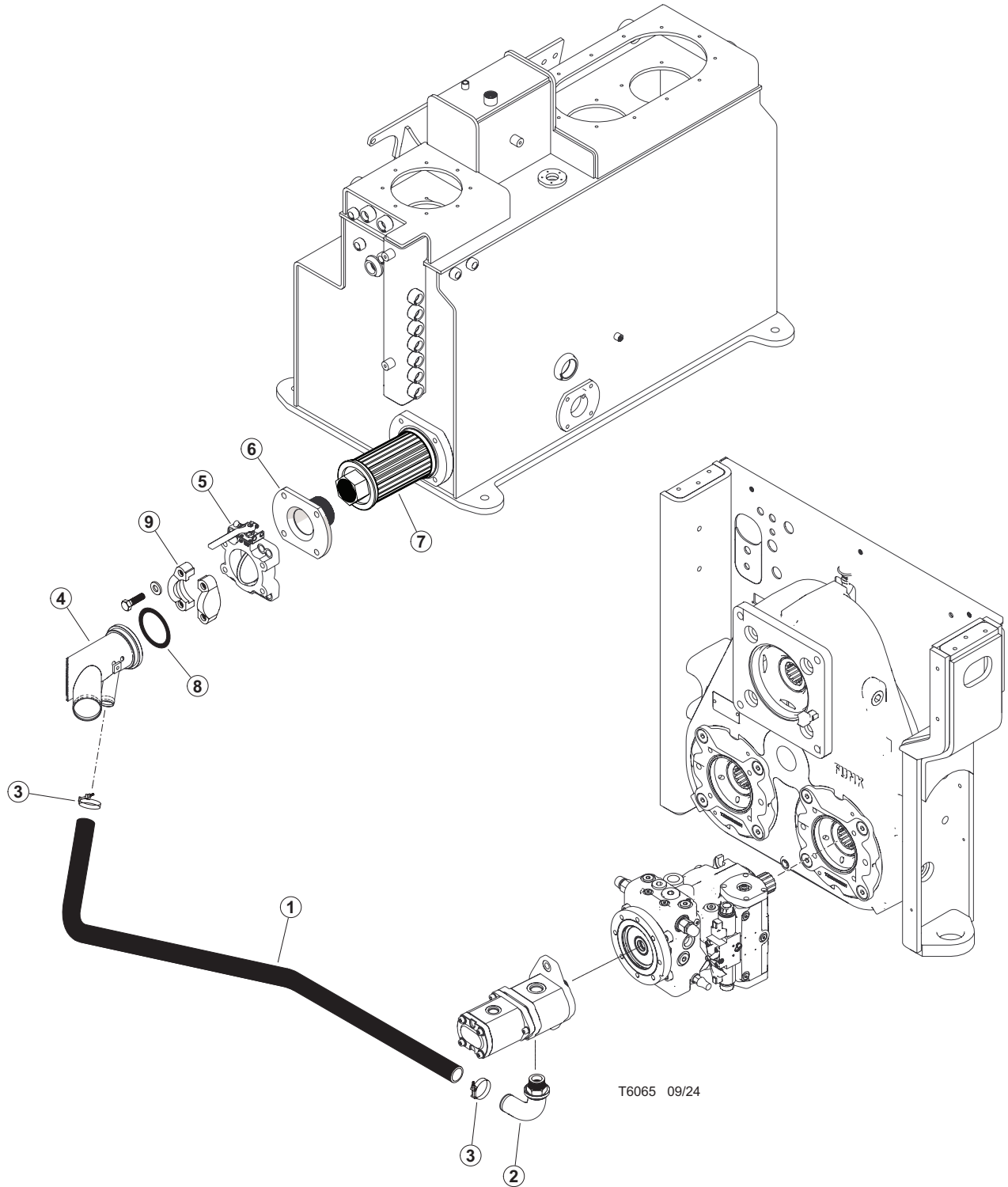
## LOG LOADER HYDRAULICS ASSEMBLY AND INSTALLATION

### HYD. COOLER FAN MOTOR HOSE CONNECTIONS

REF	PART #	QTY	DESCRIPTION	SEE SECTION
1	15152	1	CONNECTOR, STR - FF1852T-1212S	
2	(KIT - 59057)	1	HOSE ASSY - 387TC95 06-06OS-06O9 - (FAN MOTOR CASE DRAIN TO TANK)	
3	19127	1	ELBOW, 45 - FF2068T-1212S	
4	16460	1	ELBOW, 45 - FF2068T-1616S	
5	(KIT - 59057)	1	HOSE ASSY - 187TC92 12-16OS-12J9 - (FAN MOTOR RETURN)	
6	(KIT - 59057)	1	HOSE ASSY - 387TC88 12-12OS-12J9 - (FAN MOTOR PRESSURE)	
7	(CALL)	1	ELBOW, 45 6-6	
8	15630	1	BUSHING, REDUCER - 5406-8-6	

# LOG LOADER HYDRAULICS ASSEMBLY AND INSTALLATION

## CHARGE PUMP SUCTION COMPONENTS



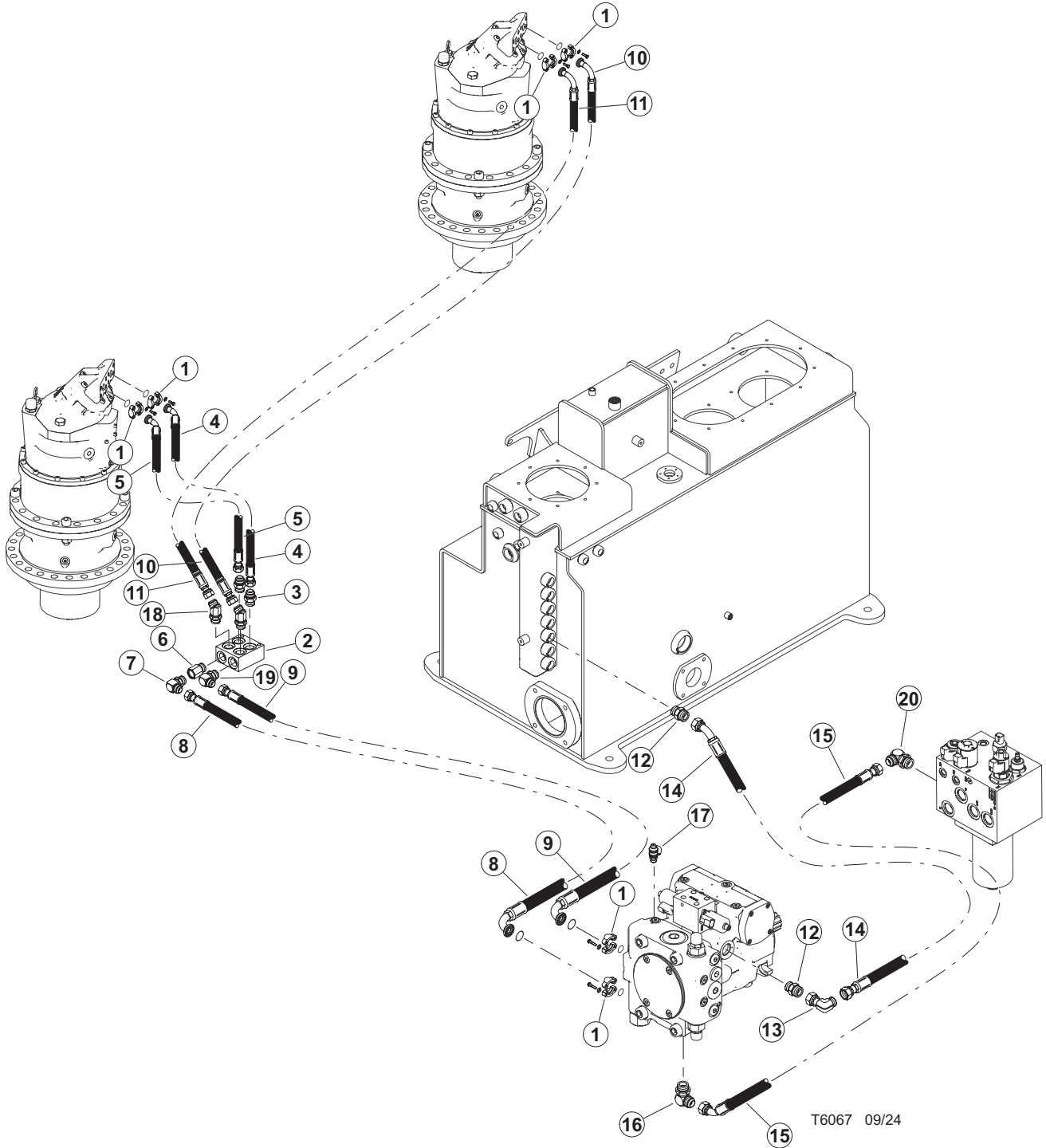
## LOG LOADER HYDRAULICS ASSEMBLY AND INSTALLATION

### CHARGE PUMP SUCTION COMPONENTS

REF	PART #	QTY	DESCRIPTION	SEE SECTION
1	(KIT - 59057)	1	HOSE ASSY - 811HT45 24-0-0 (CHARGE PUMP SUCTION)	
2	57663	1	FITTING, ELBOW - HOSE END 90°	
3	55614	2	CLAMP, CONSTANT TORQUE - 1.75"	
4	42461	1	TUBE, SUCTION - 4" FLANGE - W/ DISC SAW	
5	54786	1	VALVE, BUTTERFLY (4" )	
6	42306	1	PLATE, INTER.-SUCTION PORT 100mm VALVE	
7	15842	1	FILTER, SCREEN - IMPLEMENT	
8	51726	1	ORING, HDYRAULIC TANK	
9	51625	1	KIT, FLANGE - SUCTION TUBE (4" )	

# LOG LOADER HYDRAULICS ASSEMBLY AND INSTALLATION

## SWING CIRCUIT HYD. HOSE CONNECTIONS



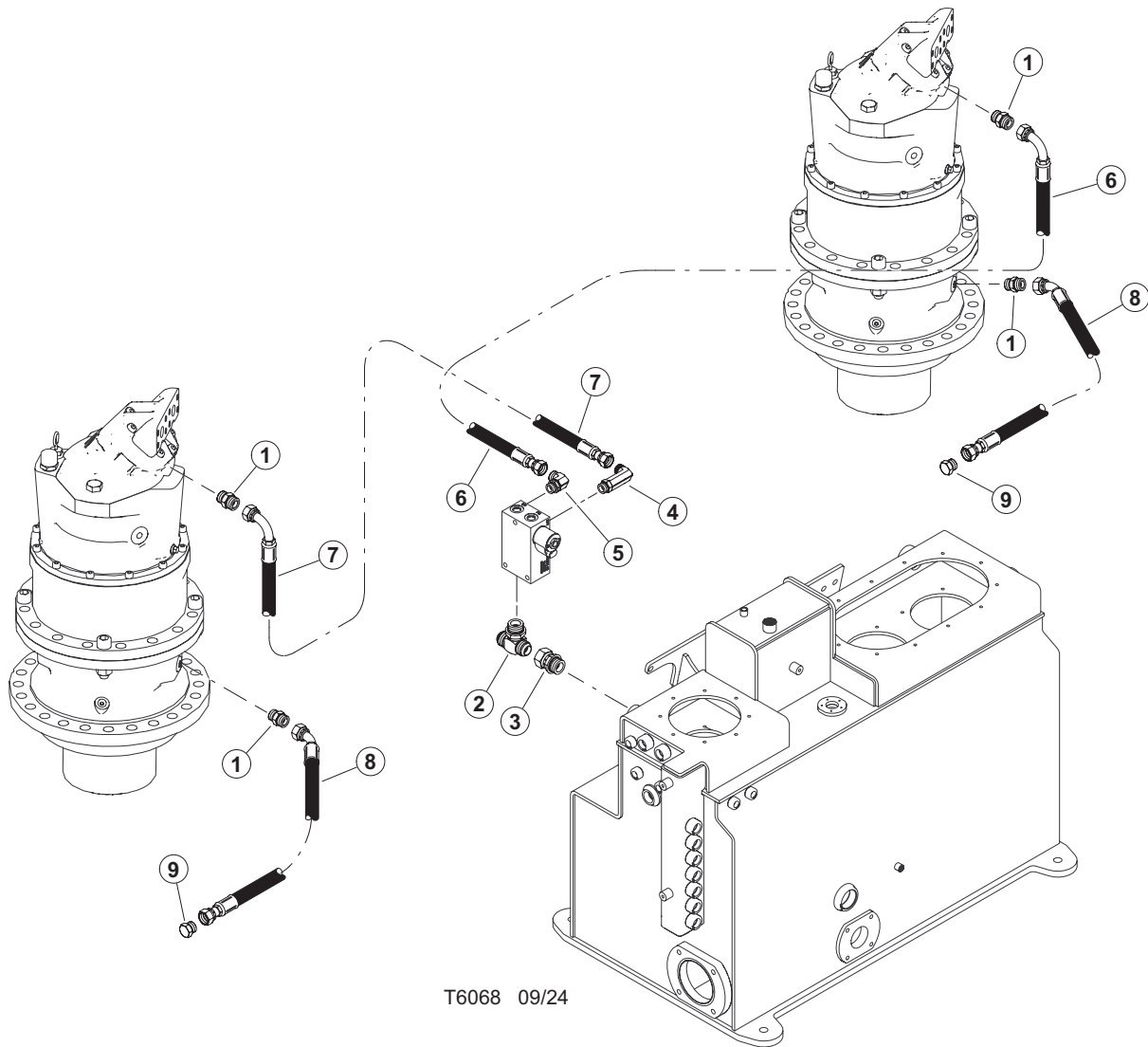
# LOG LOADER HYDRAULICS ASSEMBLY AND INSTALLATION

## SWING CIRCUIT HYD. HOSE CONNECTIONS

REF	PART #	QTY	DESCRIPTION	SEE SECTION
1	16660	4	KIT, SPLIT FLANGE - .75 (CODE 62)	
2	57284	1	MANIFOLD, SWING COMBINE FLOW	
3	11324	2	CONNECTOR, STR - 6400-12	
4	(KIT - 59057)	1	HOSE ASSY - 797TC23.5 12-12OS-12PH4	
5	(KIT - 59057)	1	HOSE ASSY - 797TC23.5 12-12OS-12PH4	
6	19291	1	BUSHING, REDUCER - 6410-12-16	
7	15228	1	ELBOW, 90 - FF1868T-1616S	
8	(KIT - 59057)	1	HOSE ASSY - 797TC88 16-16OS-16PH9-SW	
9	(KIT - 59057)	1	HOSE ASSY - 797TC90 16-16OS-16PH9-SW	
10	(KIT - 59057)	1	HOSE ASSY - 797TC134 12-12OS-12PH9	
11	(KIT - 59057)	1	HOSE ASSY - 797TC128 12-12OS-12PH9	
12	15152	2	CONNECTOR, STR - FF1852T-1212S	
13	15477	1	ELBOW, 90 SWIVEL - 12 C6X-S	
14	(KIT - 59057)	1	HOSE ASSY - 187TC46 12-12OS-12O4	
15	(KIT - 59057)	1	HOSE ASSY - 722TC42 12-12JS-12J4-SW	
16	53032	1	ELBOW, 90 - 12 JIC X 10 ORB	
17	57819	1	TAP, GAUGE PORT - #4 SAE Oring Boss- ST	
18	15474	1	ELBOW, 45 - 6802-12	
19	21039	2	ELBOW, 45 - 16-12 V5OLO-S	
20	11306	1	ELBOW, 90 12 C5OX-S	

# LOG LOADER HYDRAULICS ASSEMBLY AND INSTALLATION

## SWING CASE DRAIN HYD. HOSE CONNECTIONS



T6068 09/24



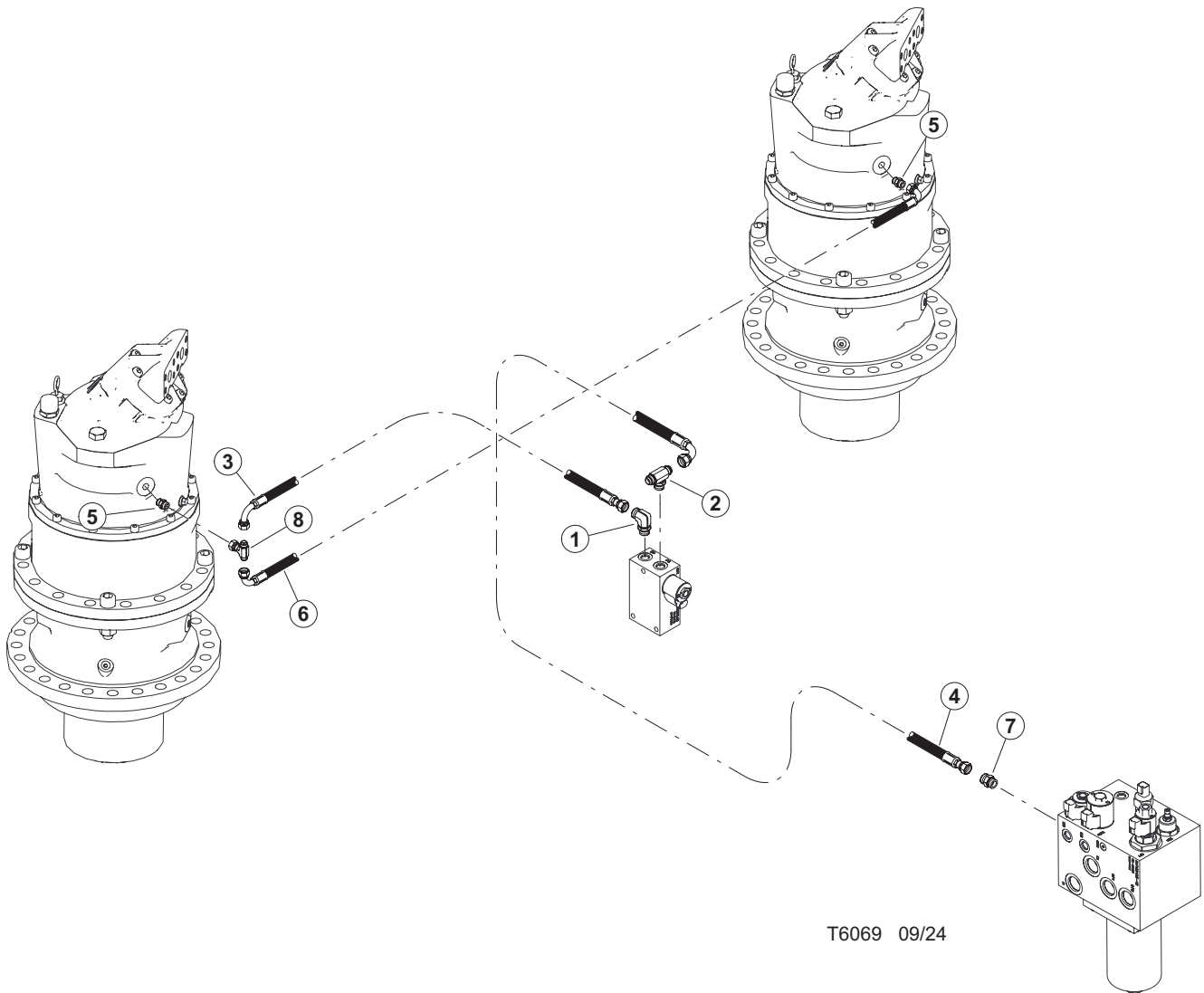
## LOG LOADER HYDRAULICS ASSEMBLY AND INSTALLATION

### SWING CASE DRAIN HYD. HOSE CONNECTIONS

REF	PART #	QTY	DESCRIPTION	SEE SECTION
1	24182	4	CONNECTOR, STR - 6002-08-8BSPP	
2	55622	1	TEE, BRANCH - STRAIGHT THREAD #16	
3	57513	1	FITTING, 16F65OX-S	
4	54810	1	ELBOW, 90* LONG -8 JIC	
5	15481	1	ELBOW, 90 - 6801-8	
6	(KIT 59057)	1	HOSE ASSY - 187TC113 08-08JS-08O9 - (CASE DRAIN - RIGHT MOTOR)	
7	(KIT 59057)	1	HOSE ASSY - 187TC49 08-08JS-08O9 - (CASE DRAIN - LEFT MOTOR)	
8	(KIT 59057)	2	HOSE ASSY - 187TC36 08-08OS-08O9 - (DRAIN)	
9	16032	2	PLUG - FF9767-08S	

# LOG LOADER HYDRAULICS ASSEMBLY AND INSTALLATION

## SWING BRAKE HYD. HOSE CONNECTIONS



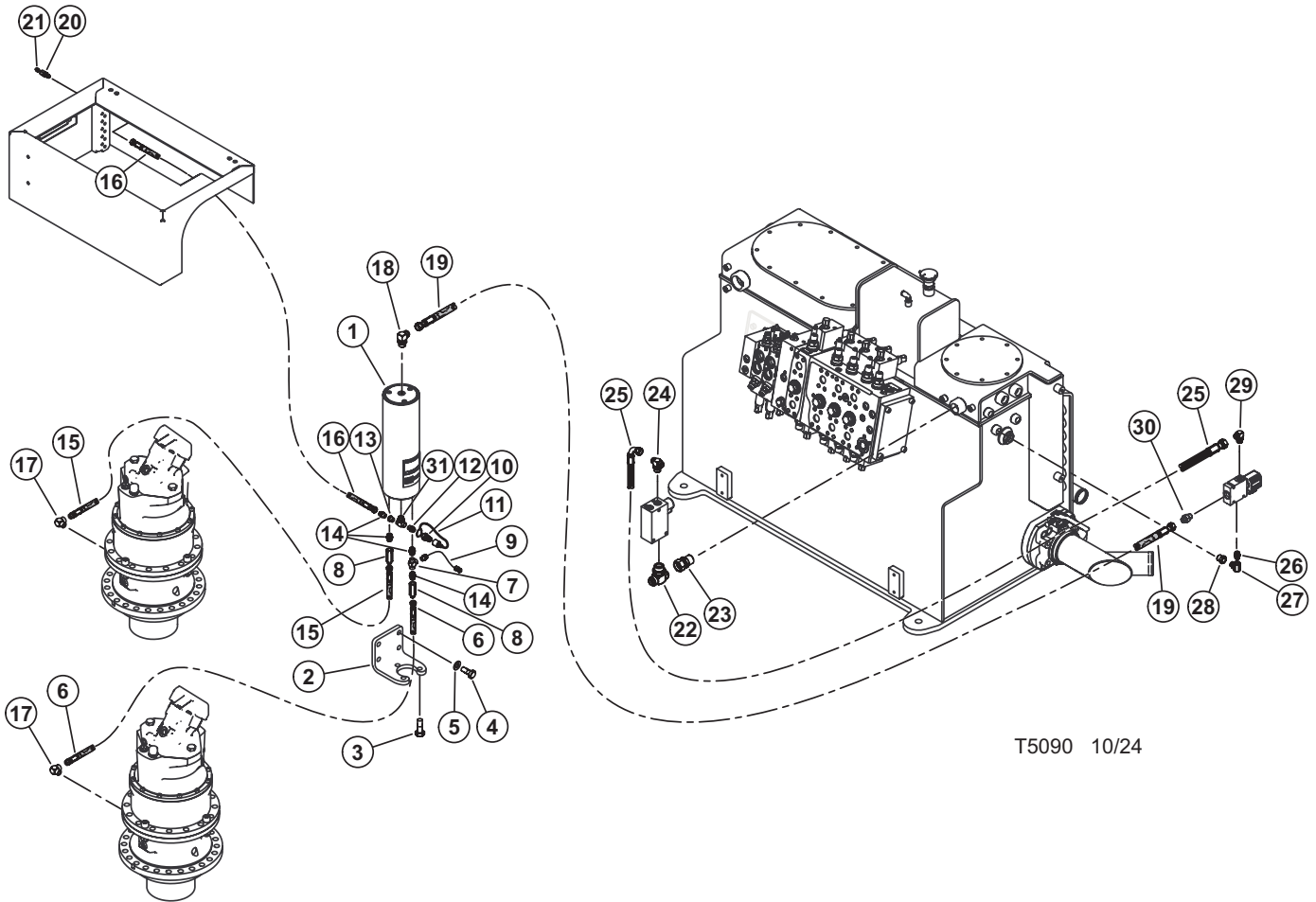
## LOG LOADER HYDRAULICS ASSEMBLY AND INSTALLATION

### SWING BRAKE HYD. HOSE CONNECTIONS

REF	PART #	QTY	DESCRIPTION	SEE SECTION
1	51931	1	ELBOW, 90 - 4-6 C50X-S (JIC)	
2	51853	1	TEE, BRANCH - 6 G5G5JA0-S	
3	(KIT 59057)	1	HOSE ASSY - 387TC92 04-04OS-04O9-W	
4	(KIT 59057)	1	HOSE ASSY - 387TC61 04-04JS-04O9	
5	19469	2	CONNECTOR, STR METRIC - 4M12F82EDMLO-S	
6	(KIT 59057)	1	HOSE ASSY - 387TC97 04-04OS-04O9-W	
7	18034	1	CONNECTOR, STR - FF1852T-0606S	
8	23541	1	TEE - 4 S6LO-S	

# LOG LOADER HYDRAULICS ASSEMBLY AND INSTALLATION

(AUTO GREASE SYSTEM INSTALLATION)(SWING DRIVE GEARCASE BEARING)



T5090 10/24

## LOG LOADER HYDRAULICS ASSEMBLY AND INSTALLATION (AUTO GREASE SYSTEM INSTALLATION)(SWING DRIVE GEARCASE BEARING)

REF	PART #	QTY	DESCRIPTION	SEE SECTION
1	57303	1	ACCUMULATOR, GREASE SYSTEM	
2	48344	1	PLATE, GREASE TUBE MOUNT	
3	(CALL)	2	BOLT - M12-1.75 X 30MM	
4	10402	2	BOLT - .375" X 1.25"	
5	15528	2	WASHER, SAE FLAT - .375"	
6	(See Description)	1	HOSE ASSY. - (PART # HLBD115 02-02PS-04JS-W) - Grease acc to right swing	
7	55633	1	FITTING, TEE - MALE RUN #6 - 6 AOG5JG5-S	
8	57498	2	VALVE, CHECK - ORIFICE GREASE SYSTEM	
9	57596	1	TRANSDUCER, PRESSURE - GREASE SYSTEM	
10	17307M	1	QUICK DISCONNECT - .5" (MALE)	
11	17323F	1	COVER, DUST - QUICK DISCONNECT (FEMALE)17307M	
12	53107	1	CONNECTOR, STR - 1/2 X 3/8 FF-S	
13	16294	1	BUSHING, REDUCER - 6410-6-4	
14	18034	2	CONNECTOR, STR - FF1852T-0606S	
15	(See Description)	1	HOSE ASSY. - (PART # HLBD17 02-02PS-04JS-W) - Grease acc to left swing	
16	(See Description)	1	HOSE ASSY. - (PART # HLBD130 02-02PS-04JS-W) - Grease acc fill	
17	22281	2	ELBOW, 90 - 5546132	
18	57586	1	ELBOW, 90 4-5 GREASE ACCUMULATOR	
19	(See Description)	1	HOSE ASSY - (PART # 387TC102 04-04OS-04OS-W) - Greaser valve to acc	
20	15658	1	CONNECTOR, STR BULKHEAD - 2239-2-4S	
21	10704	1	GREASE ZERT - STR	
22	55622	1	TEE, BRANCH - STRAIGHT THREAD #16	
23	15497	1	CONNECTOR, STR - 16 F5OX-S	
24	55701	1	FITTING, TEE - 6 R5OX-S	
25	(See Description)	1	HOSE ASSY - (PART # 387TC16.5 06-06JS-06J9-W) - Grease valve to charge	
26	18034	2	CONNECTOR, STR - FF1852T-0606S	
27	55633	1	FITTING, TEE - MALE RUN #6 - 6 AOG5JG5-S	
28	22909	1	BUSHING, REDUCER - 6410-8-6	
29	15480	1	ELBOW, 90 - 6801-6	
30	54809	1	CONNECTOR, STR - 4 JIC x -6 ORB	
31	55633	1	FITTING, TEE - MALE RUN #6 - 6 AOG5JG5-S	



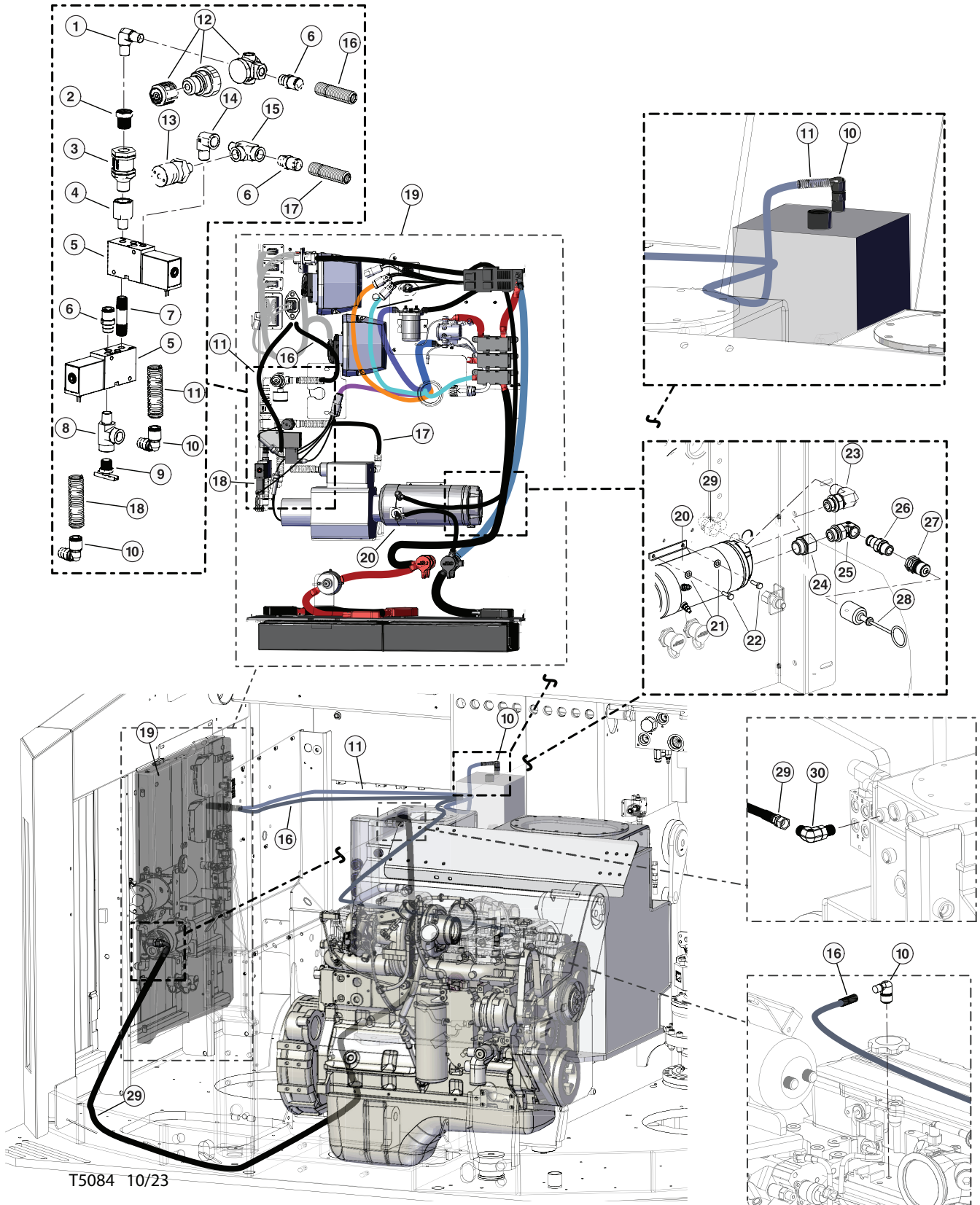
## LOG LOADER HYDRAULICS ASSEMBLY AND INSTALLATION

### EVO DRAIN CIRCUIT

REF	PART #	QTY	DESCRIPTION	SEE SECTION
1	55700	4	FITTING, STRAIGHT - 4-8 FFOX-S	
2	55677	2	FITTING, 4 R6X-S SWIVEL NUT RUN TEE	
3	55702	1	FITTING, 4-8 C5OX-S	
4	16661	1	ELBOW, 90 SWIVEL - 6500-6	
5	55372	1	FITTING, SWIVEL TEE - 6 S6X-S	
6	(KIT - 55559)	1	HOSE ASSY - 387TC8.5 04-04JS-04J9	
7	(KIT - 55559)	1	HOSE ASSY - 387TC24 04-04JS-04J9	
8	(KIT - 55559)	1	HOSE ASSY - 387TC22 04-04JS-04J9	
9	57277	1	TUBELINE, SD TO SEAL DRAIN BULKHEAD	
10	55364	1	FITTING, BULKHEAD - 6 WTX-WLN-S	
11	48286	1	BULKHEAD MOUNT	
12	(KIT - 59057)	1	HOSE ASSY - 387TC22 04-04JS-04J9	
13	11318	1	BUSHING, REDUCER - 5406-6-4	

# FELLER BUNCHER HYDRAULICS ASSEMBLY, AND INSTALLATION

## SUPPLY, RETURN AND FLUSHING CIRCUITS



T5084 10/23

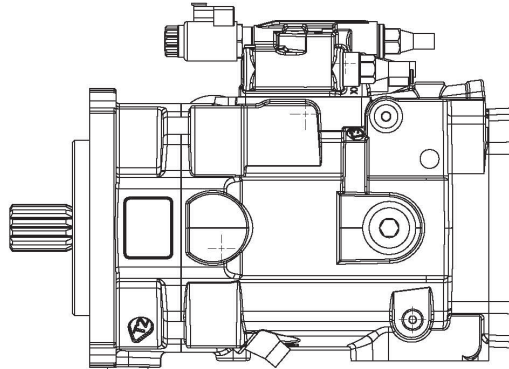
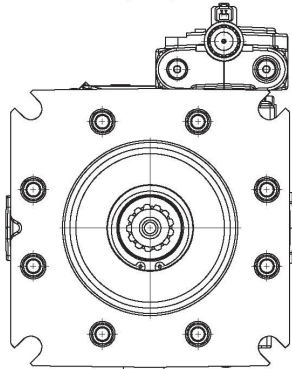
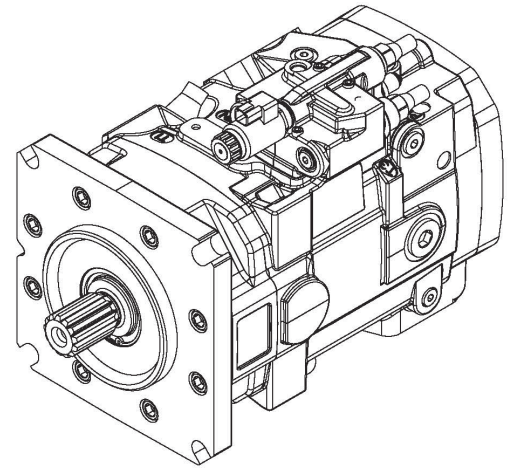
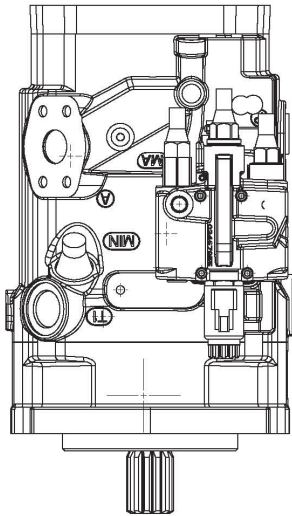


## FELLER BUNCHER HYDRAULICS ASSEMBLY, AND INSTALLATION SUPPLY, RETURN AND FLUSHING CIRCUITS

REF	PART #	QTY	DESCRIPTION	SEE SECTION
1	52741	1	ELBOW, MALE PIPE - 1/4 CR-S	
2	11318	1	BUSHING, REDUCER - 5406-6-4	
3	15652	1	VALVE, CHECK - HYDRAULIC/FUEL TANK	
4	52145	1	ADAPTER, EXPANDER - 3/8 X 1/4 FG-S	
5	51616	2	VALVE, VACUUM PUMP - HYD TANK	
6	52506	2	CONNECTOR, STR - PUSH HOSE - 1/4" VACUUM	
7	16314	1	NIPPLE, PIPE - .25" X 2"	
8	10393	1	TEE - 5602-4	
9	15650	1	VALVE, TANK VENT - DC602-6	
10	51739	4	CONNECTOR, ELBOW -PUSH ON (VACUUM)	
11	51738	lin. ft	HOSE, 3/8" PUSH ON - VACUUM PUMP - Order by ft.	
12	15649	1	REGULATOR, TURBO BOOST	
13	51737	1	SWITCH, PRESSURE - VACUUM PUMP (HYD TANK)	
14	21147	1	ELBOW, 90 STREET .25" NPT - BRASS	
15	10393	1	TEE - 5602-4	
16	51738	lin. ft	HOSE, 3/8" PUSH ON - VACUUM PUMP	
17	51738	lin. ft	HOSE, 3/8" PUSH ON - VACUUM PUMP	
18	51738	lin. ft	HOSE, 3/8" PUSH ON - VACUUM PUMP	
19	47867	1	WELDMENT, ELEC PANEL, D-MODEL	
20	55691	1	FILL PUMP ASSEMBLY	
21	10801	4	WASHER, FLAT - .3125"	
22	15605	4	BOLT - .3125" X .75"	
23	55712	1	FITTING, ELBOW - MALE 8-8C40MXS	
24	55711	1	FITTING, 3/4 - 12F40HG55	
25	22383	1	ELBOW, 90 - 12 AOEG5-S	
26	54998	1	FITTING, FILL PUMP	
27	55620	1	NIPPLE, 60 SERIES - H6-63-T12	
28	55617	1	CAP, QUICK CONNECT - RUBBER (RED)	
29	(See Description)	1	Fill Pump Supply Hose <b>Supplier Hose Part #: 387TC 227 08-08JS-08J9L</b>	
30	15481	1	ELBOW, 90 - 6801-8	

# LOG LOADER HYDRAULICS

## 210CC IMPLEMENT PUMP

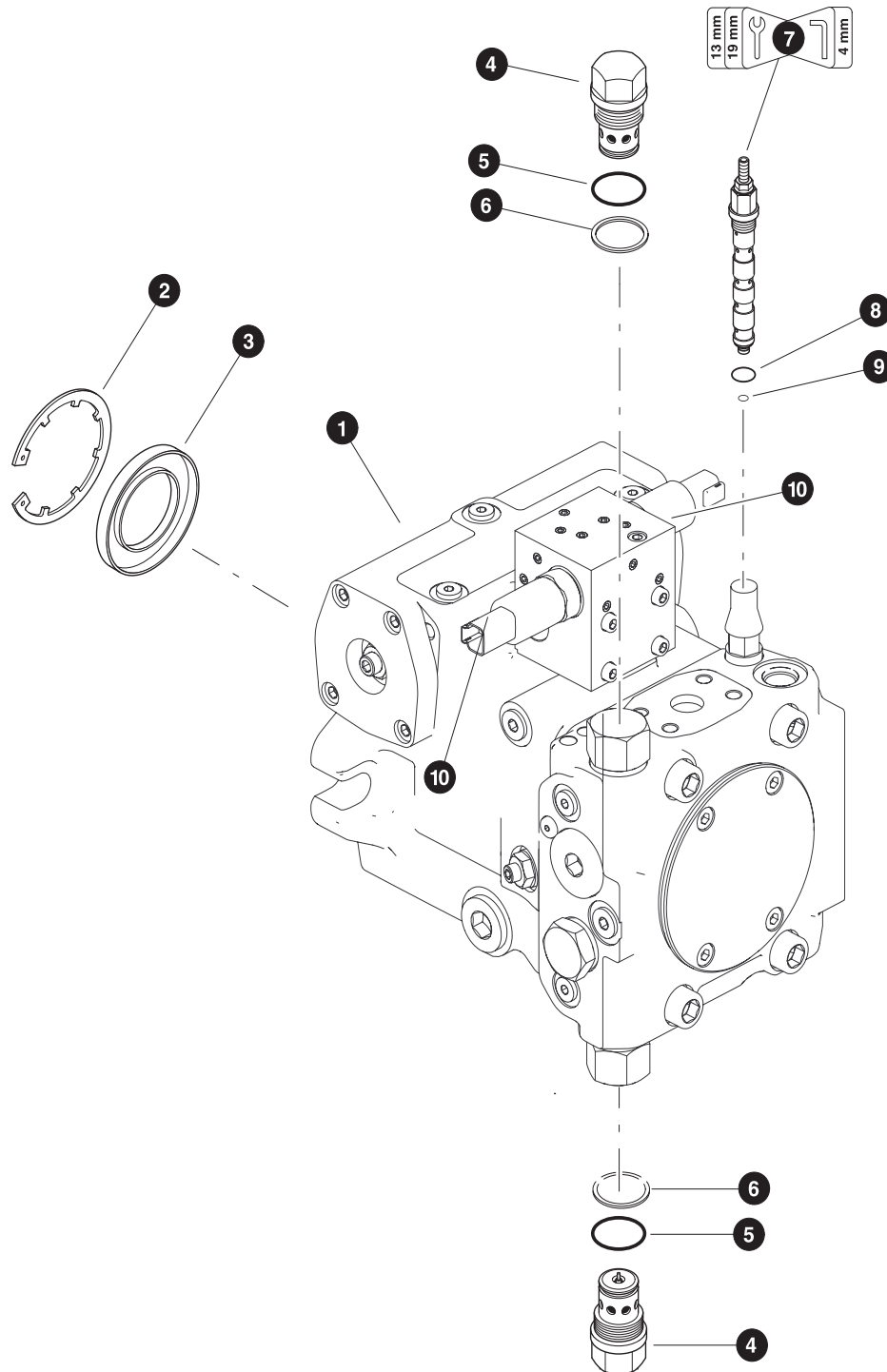


REF.	PART #	QTY.	DESCRIPTION
1	58596	1	PUMP, IMPLEMENT - REX 210CC/40 W/HP CONT
	CALL	1	SEAL KIT

**PAGE INTENTIONALLY LEFT BLANK**

# LOG LOADER HYDRAULICS

## HYDROSTATIC SWING PUMP (REXROTH 56CC)



Parts T4036 05/15  
50.00

## LOG LOADER HYDRAULICS

### HYDROSTATIC SWING PUMP (REXROTH 56CC)

REF	PART #	QTY	DESCRIPTION	SEE SECTION
1	54560	1	<input type="checkbox"/> PUMP, HYDROSTATIC - SWING	
2	CALL	1	RETAINING RING	
3	57704	1	SHAFT SEAL RING	
4	CALL	2	PRESSURE RELIEF VALVE	
5	CALL	2	BACK-UP RING	
6	CALL	2	BACK-UP RING	
7	CALL	1	PRESSURE OVERRIDE VALVE	
8	CALL	1	O-RING	
9	CALL	1	O-RING	
10	57591	2	PRESSURE REDUCING VALVE	

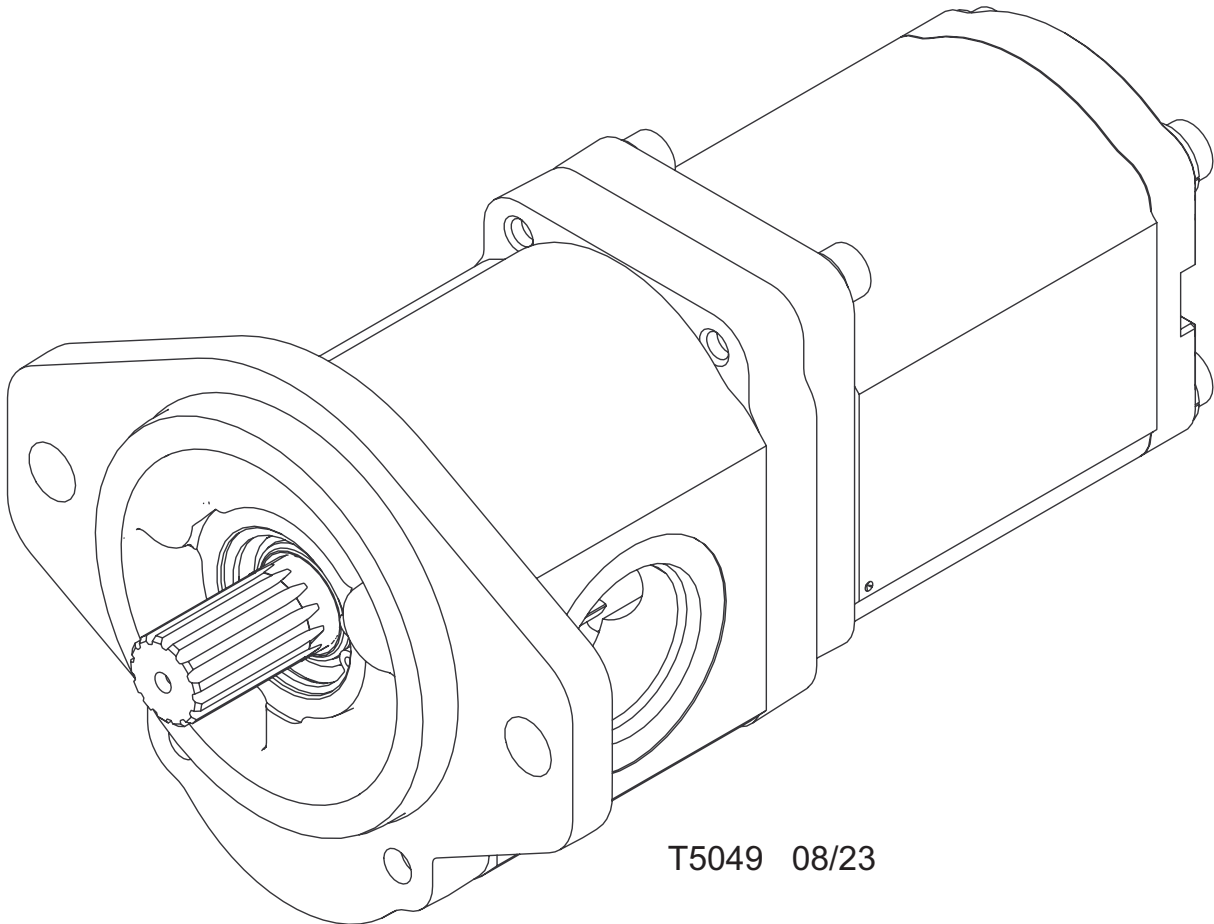
Kit or Assembly - includes all items indented underneath.

**Note:**

Due to warranty policy restrictions imposed by component suppliers, it is not recommended that the component be disassembled further than is shown in the illustration.

# LOG LOADER HYDRAULICS

## CHARGE PUMP (DUAL FLOW)

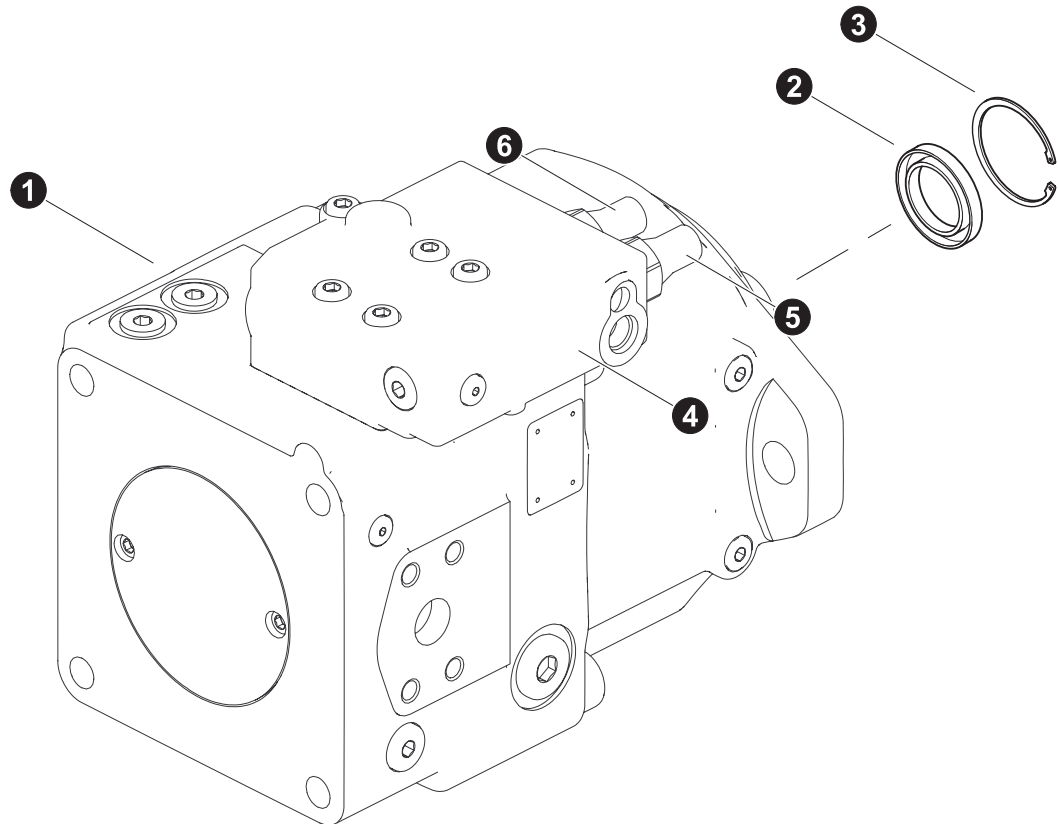


T5049 08/23

REF	PART #	QTY	DESCRIPTION	SEE SECTION
	57609	1	PUMP, CHARGE - DUAL FLOW	
	58177	1	SHAFT SEAL - 25.4-38.1-6.35 NBR	
	<b>CALL</b>	1	SEAL KIT	
	21624	1	O-RING, CHARGE PUMP PILOT (AA4VG90)	
	<b>CALL</b>	1	COUPLING, Charge Pump	

# LOG LOADER HYDRAULICS

## AUXILIARY DISC SAW PUMP, HIGH PRESSURE - (60CC)

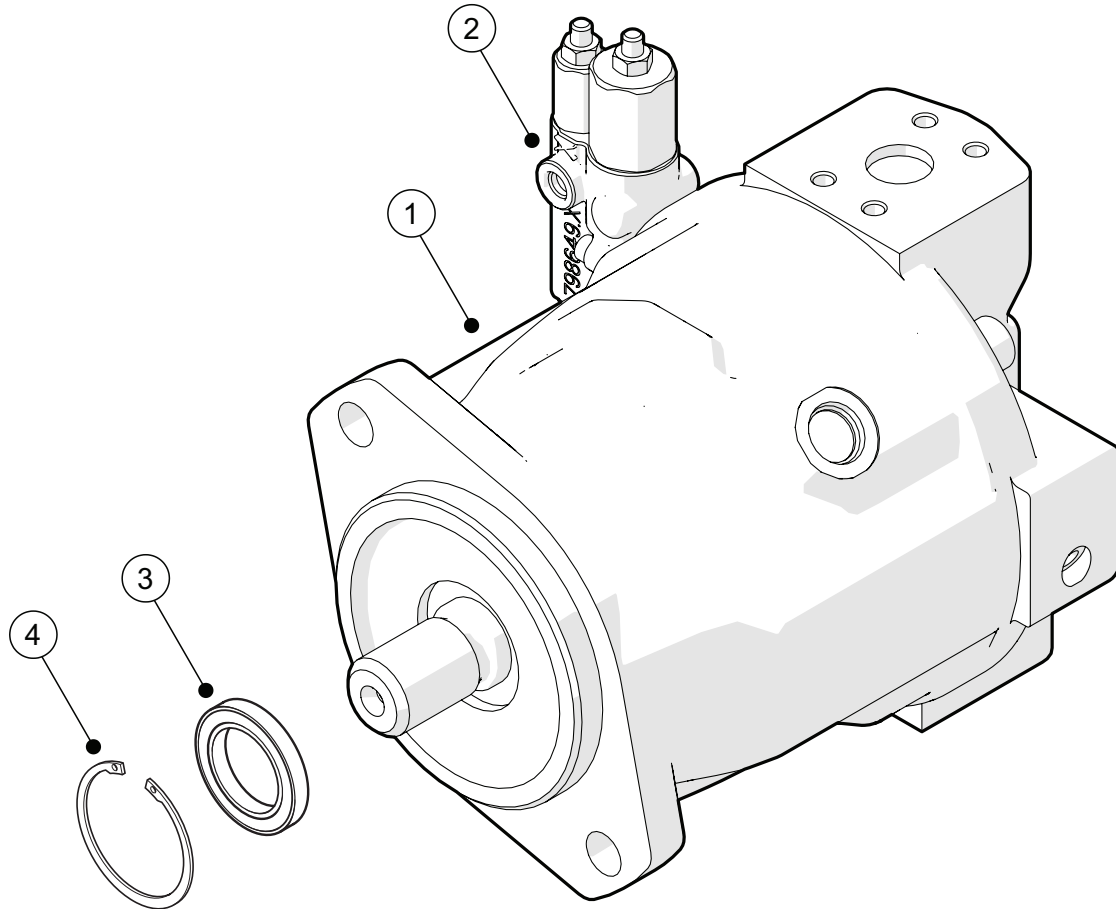


REF	PART #	QTY	DESCRIPTION	SEE SECTION
1	54523	1	PUMP, DISC SAW - HIGH PRESSURE (60CC)	
2		1	RETAINING RING	
3	57451	1	SHAFT SEAL RING	
4		1	<input type="checkbox"/> CONTROLLER	
5		1	HIGH PRESSURE	
6		1	STANDBY	
	24532	1	PRESSURE SWITCH	
	57451	1	SHAFT SEAL	
	58256	1	ORING - thru-drive (green- high temp)	
	(CALL)	1	KIT, seal repair - disc saw pump	

Kit or Assembly - includes all items indented underneath.

# LOG LOADER HYDRAULICS

## AUXILARY PUMP, MAX VOLUME - (71CC)

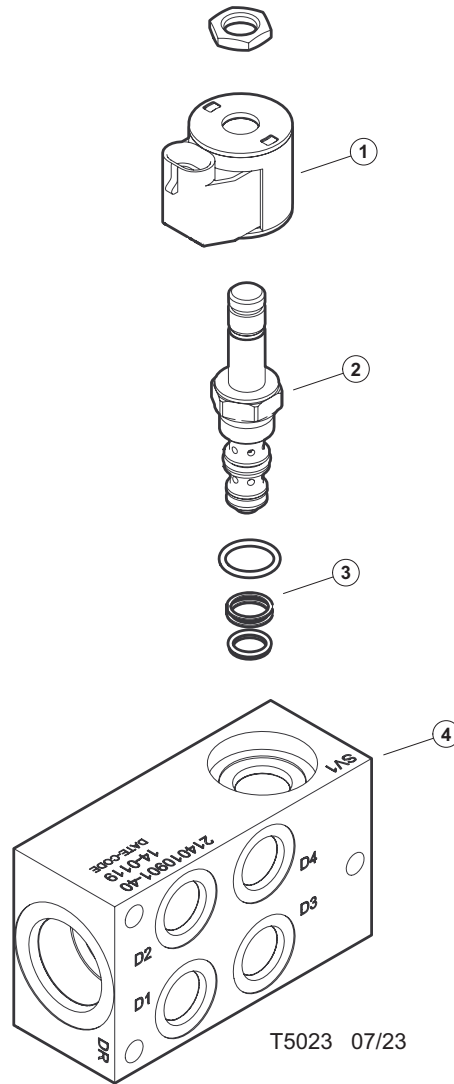


REF	PART #	QTY	DESCRIPTION	SEE SECTION
1	19509	1	PUMP, AUX.-BRUSH CUTTER (W/MAX VOL) (71CC)	
2	CALL	1	UNLOADING BLOCK	
3	CALL	1	RETAINING RING	
4	CALL	1	SHAFT SEAL RING	
	CALL	1	COUPLING	
	54032	1	THRU DRIVE - W/TRACK DRIVE PUMP	
	CALL	1	COUPLING	
	52444		BARBED FITTING	
	CALL		SEAL KIT	



# LOG LOADER HYDRAULICS

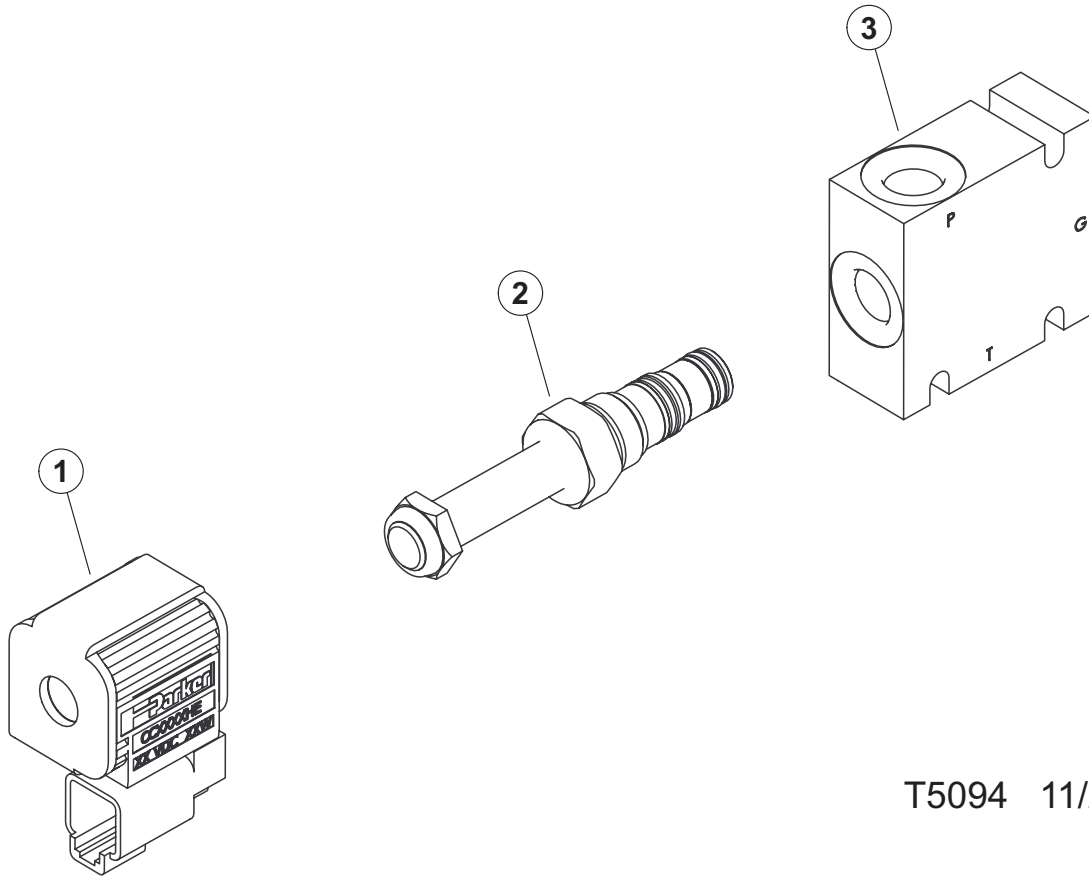
## CASE DRAIN MANIFOLD



REF	PART #	QTY	DESCRIPTION	SEE SECTION
-	55259	1	MANIFOLD, CASE DRAIN/SWING LOCK	
1	53737	1	COIL, CARTRIDGE - PARK BRAKE - TM	
2	53734	1	VALVE, SOLENOID - Motor Shift - TM (INCLUDES COIL)	
	<b>CALL</b>	1	NUT	
3		1	SEAL KIT	
4	<b>CALL</b>	1	MANIFOLD BODY	

# LOG LOADER HYDRAULICS

## AUTO GREASE MANNIFOLD

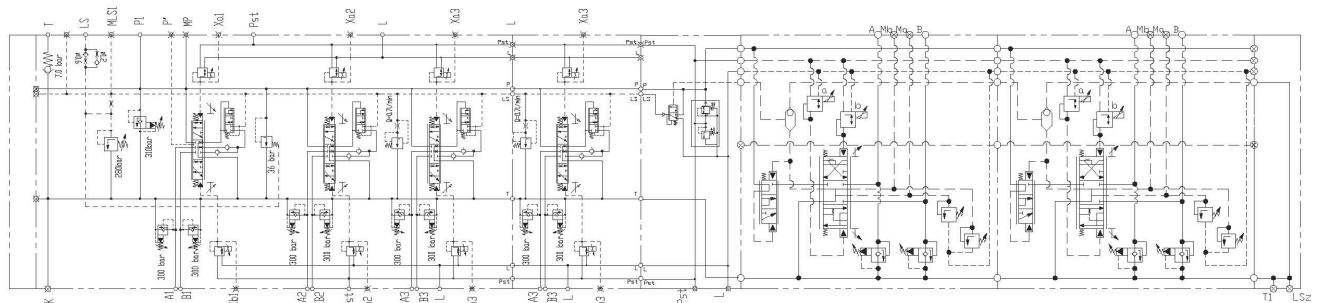


T5094 11/23

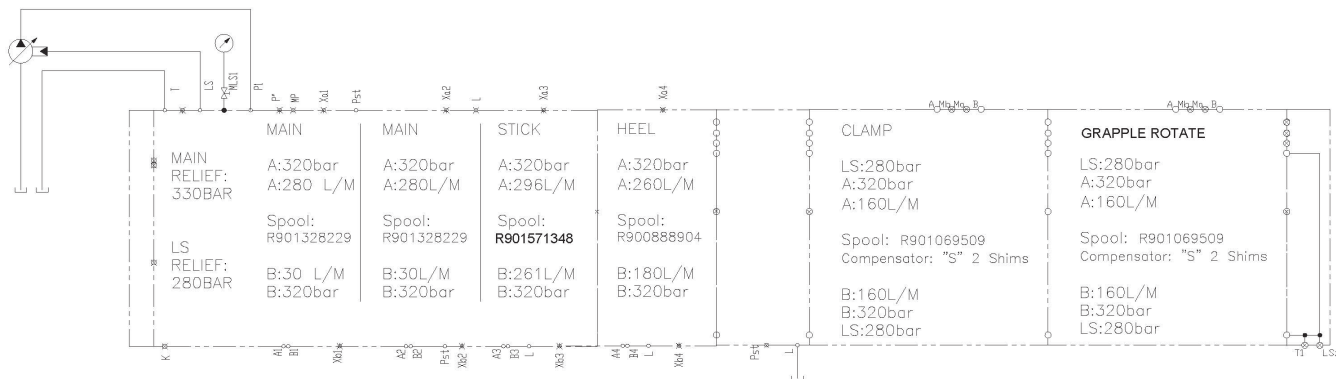
REF	PART #	QTY	DESCRIPTION	SEE SECTION
	57509	1	VALVE, AUTO GREASE SYSTEM	
1	<b>CALL</b>	1	COIL - 24V	
2	<b>CALL</b>	1	CARTRIDGE	
3	57509-BODY	1	BODY	

# LOG LOADER HYDRAULICS

## REXROTH MAIN CONTROL VALVE - (UP TO SN. 1153)



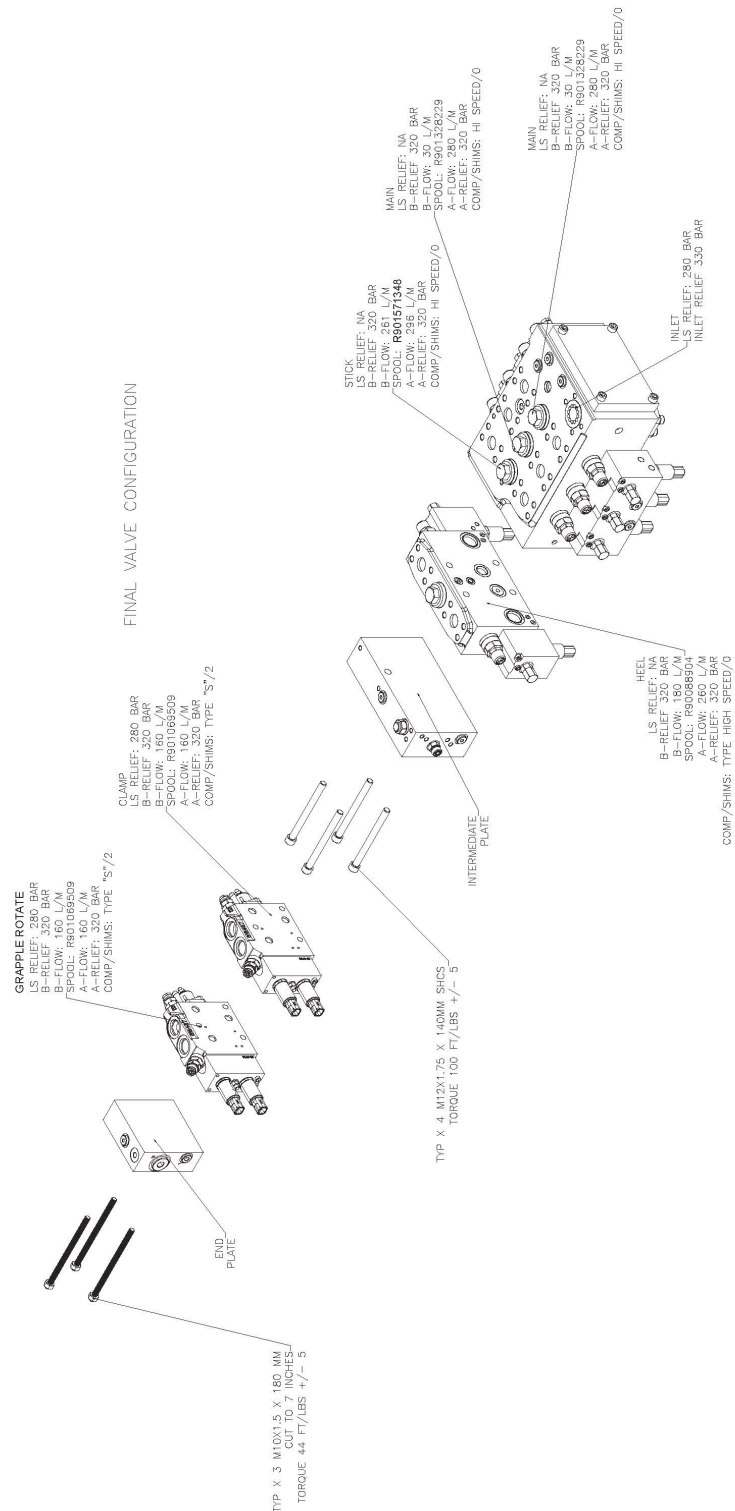
MAIN A1:280L/M B1:30L/M	MAIN A2:280L/M B2:30L/M	STICK A3:296L/M B3:261L/M	HEEL A:260 L/M B:180 L/M	INTERMEDIATE SECTION	M4-15 SECTION 1 CLAMP WS1 (POS 800) A:160 L/M B:160 L/M	M4-15 SECTION 2 GRAPPLE ROTATE WS2 (POS 800) A:160 L/M B:160 L/M	END- COVER
-------------------------------	-------------------------------	---------------------------------	--------------------------------	-------------------------	--	---	---------------



Ref Number	Cust Ref Nbr	Qty	Manufacturer	Model	Description
1		1	Bosch-Rexroth	M7-G6452-30/8M7-22W	M7-22 Mono Block
1.1	Rotate/ 801	-1	Bosch-Rexroth	M4-15-2X/S220M220E150-150W28H320H320 POS 801	M4-15 Valve Section Timber Pro
1.2	Level Left/Right/802	-2	Bosch-Rexroth	M4-15-2X/SQM100-100W28-H300H300 POS 802	M4-15 Valve Section Timber Pro
1.3	Heel	1	Bosch-Rexroth	M7-22-3X/1e296-261LDW81K4H330H330 Timber Pro	M7-22 Valve Section
2		4	McMaster Carr	91290A644	M12x1.75 x 140mm
3		1	McMaster Carr	1078N13	M10 x 1.5 x 1M Class 10.9

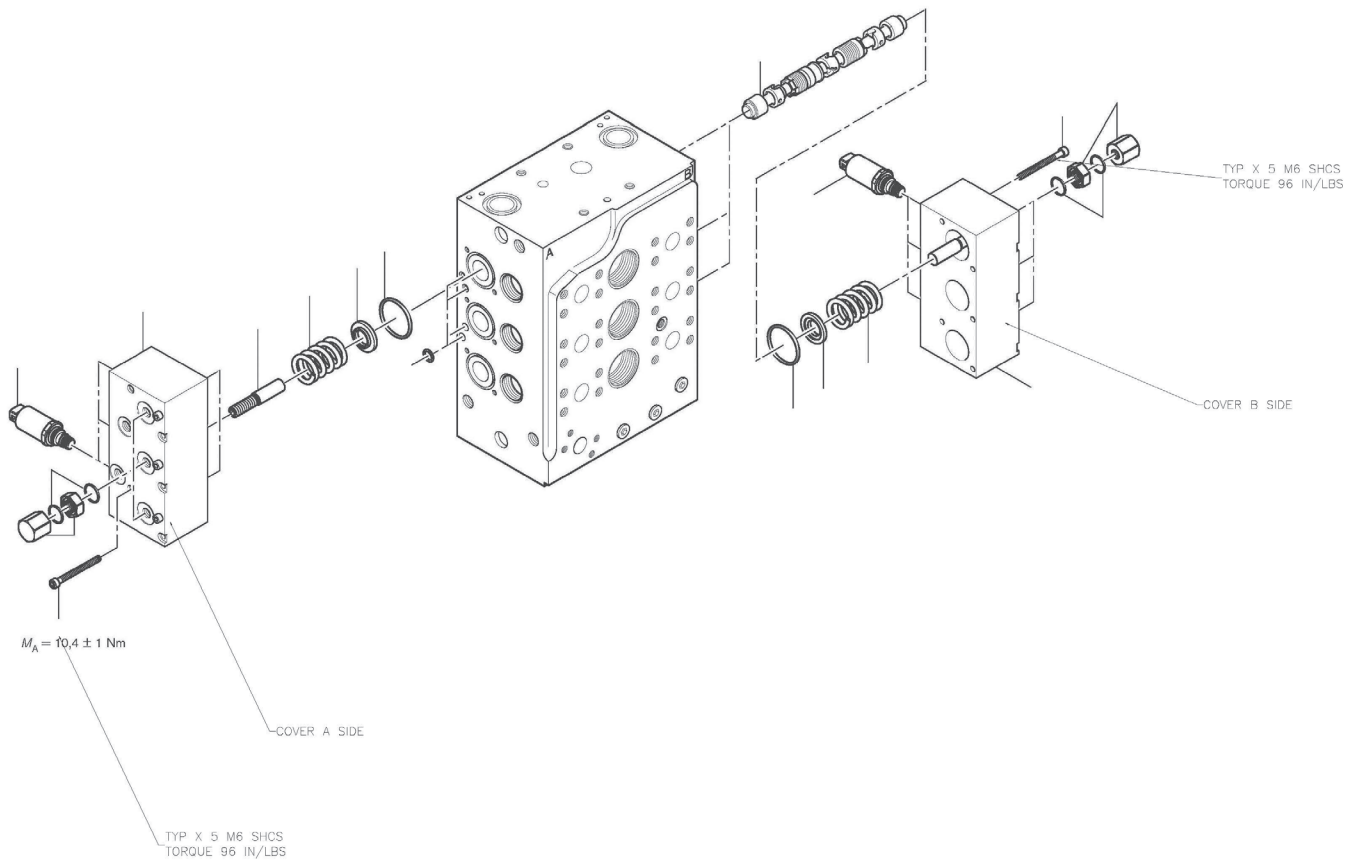
# LOG LOADER HYDRAULICS

## REXROTH MAIN CONTROL VALVE - (COMPLETE VALVE) - - (UP TO SN. 1153)



# LOG LOADER HYDRAULICS

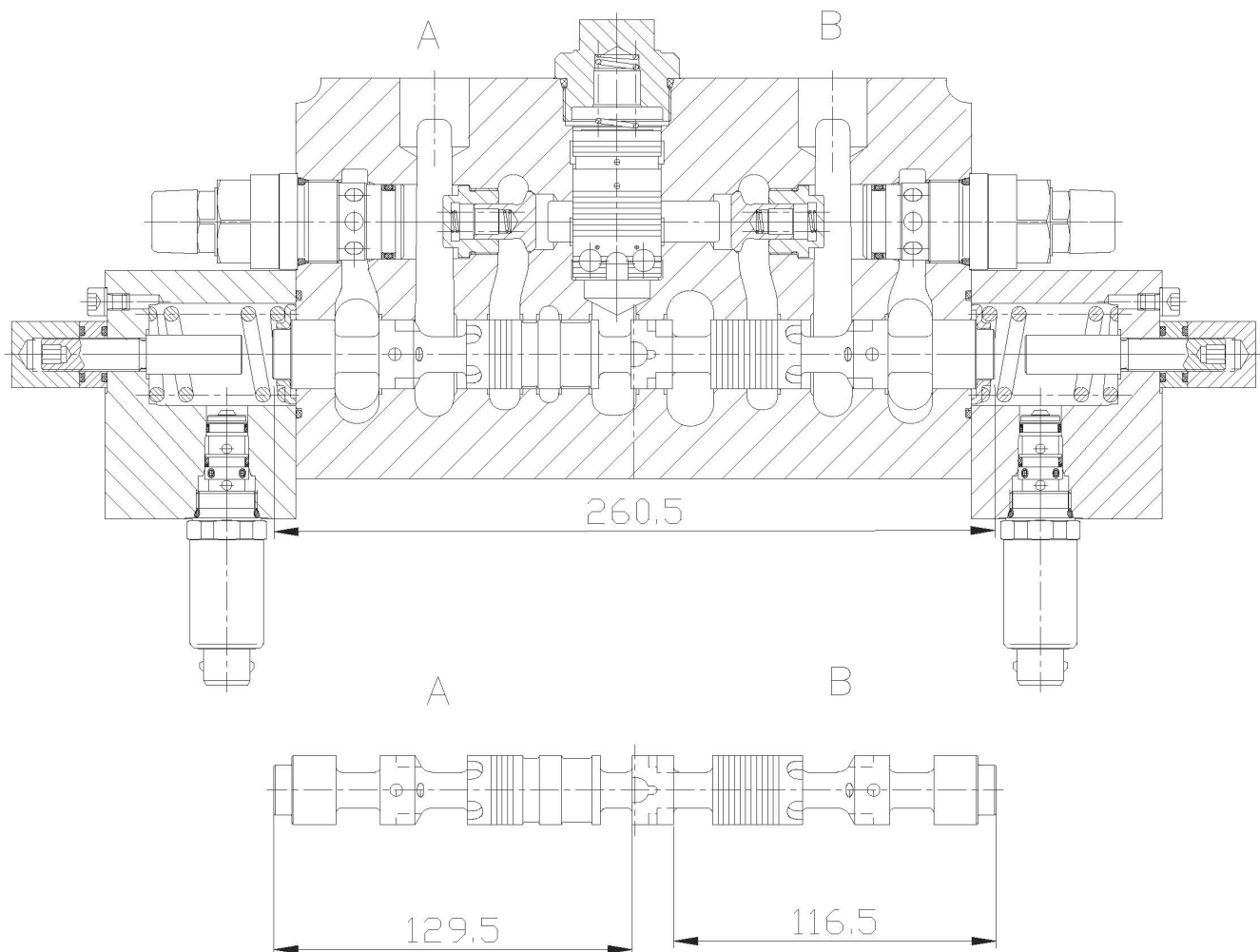
## REXROTH MCV - (M7 MONOBLOCK VALVE SECTIONS) - (UP TO SN. 1153)



# LOG LOADER HYDRAULICS

REXROTH MAIN CONTROL VALVE - (M7 MONOBLOCK) - - (UP TO SN. 1153)

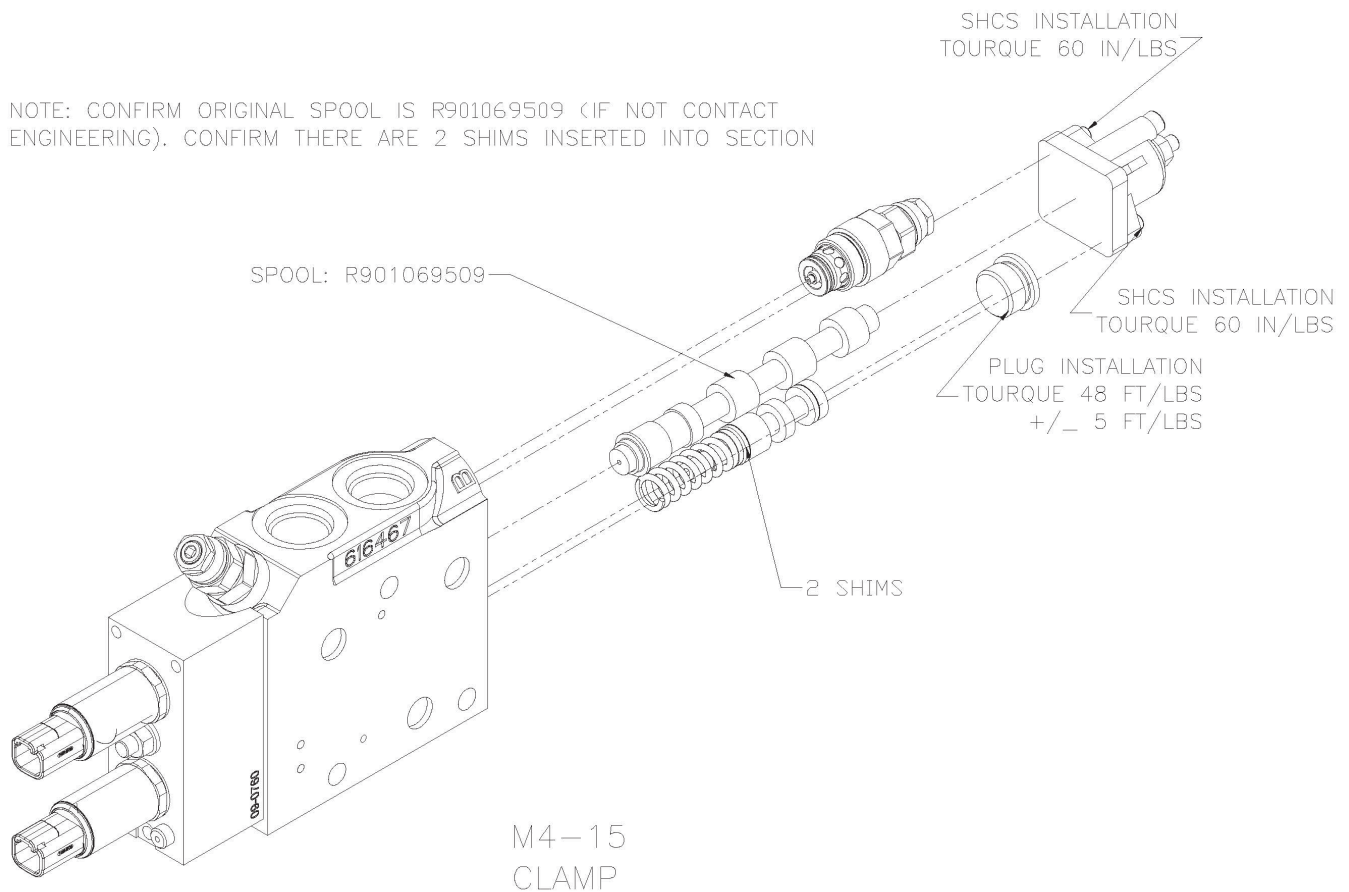
SECTION VIEW OF M7  
MONOBLOCK AND SPOOL



# LOG LOADER HYDRAULICS

## REXROTH MAIN CONTROL VALVE - (CLAMP SECTION) - - (UP TO SN. 1153)

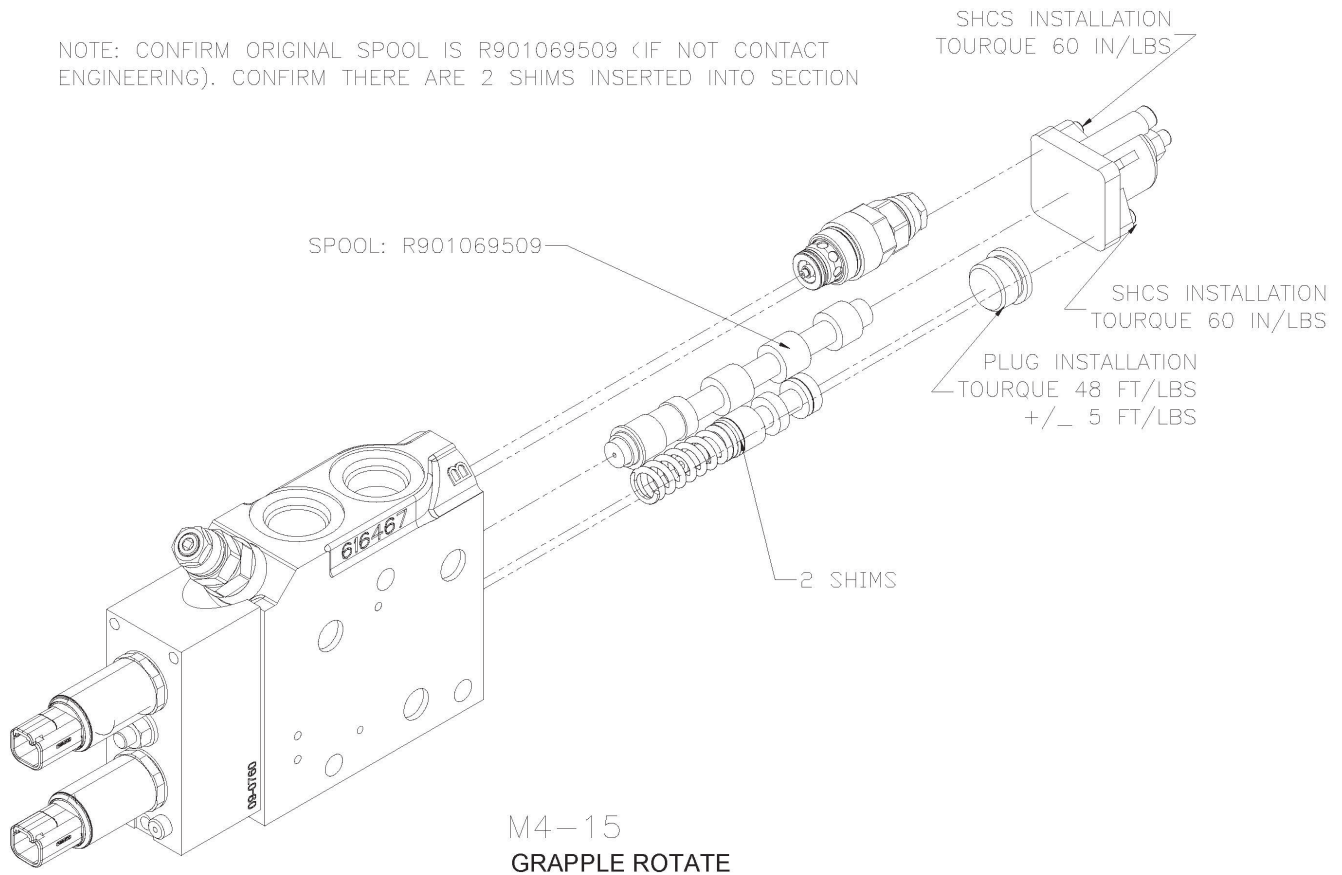
NOTE: CONFIRM ORIGINAL SPOOL IS R901069509 (IF NOT CONTACT ENGINEERING). CONFIRM THERE ARE 2 SHIMS INSERTED INTO SECTION



# LOG LOADER HYDRAULICS

## REXROTH MCV - (GRAPPLE ROTATE SECTION) - (UP TO SN. 1153)

NOTE: CONFIRM ORIGINAL SPOOL IS R901069509 (IF NOT CONTACT ENGINEERING). CONFIRM THERE ARE 2 SHIMS INSERTED INTO SECTION

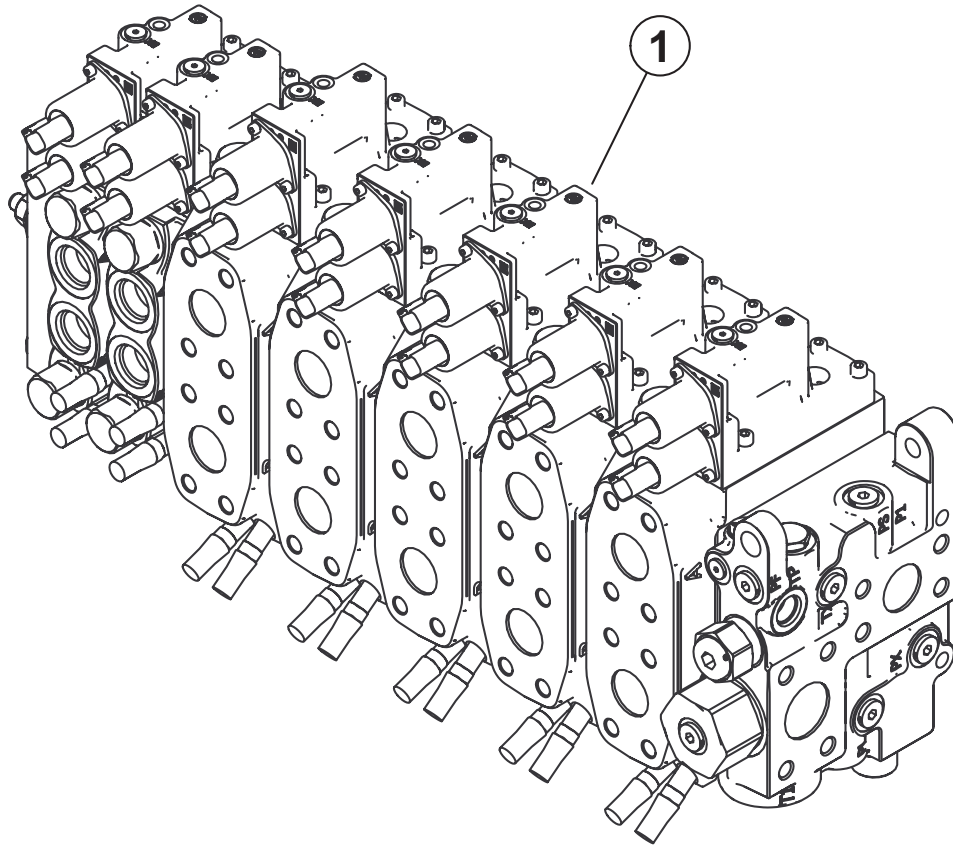




**PAGE INTENTIONALLY LEFT BLANK**

# LOG LOADER HYDRAULICS

PARKER 450/300 MCV - (COMPLETE ASSEMBLY) - (SN. 1154 & FORWARD)



T6060 08/24

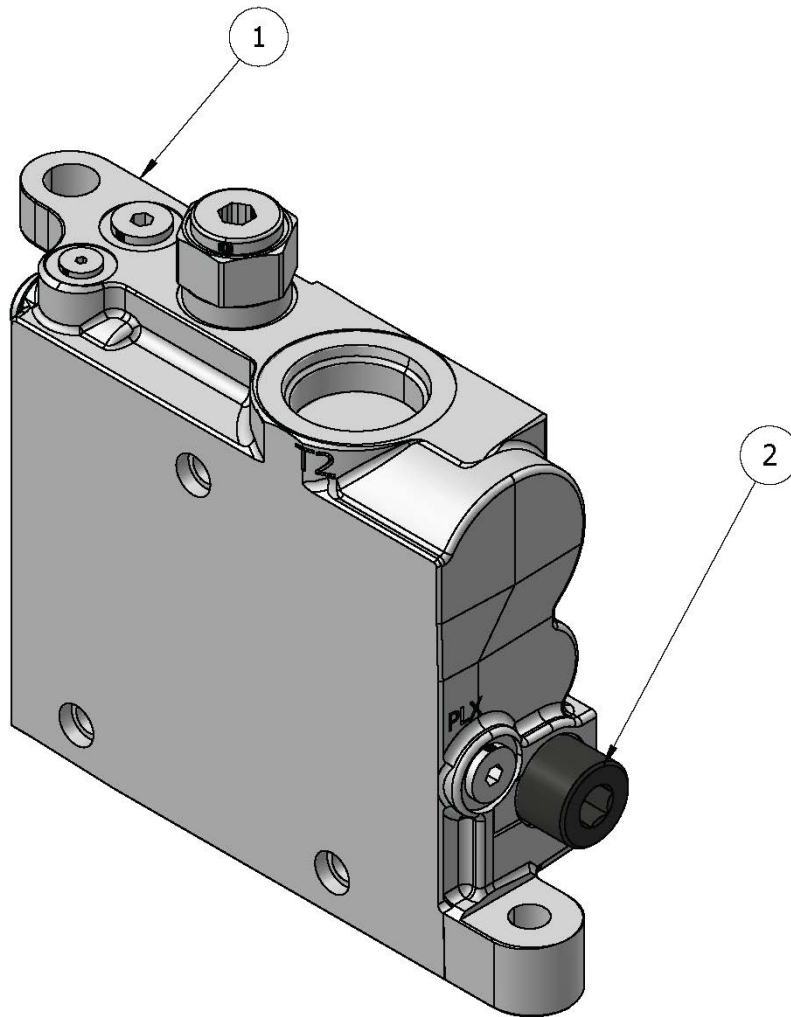
# LOG LOADER HYDRAULICS

## PARKER 450/300 MCV - (COMPLETE ASSEMBLY) - (SN. 1154 & FORWARD)

REF	PART #	QTY	DESCRIPTION	SEE SECTION
1	53345	1	785 MAIN CONTOL VALVE (PARKER 450/300)	

# LOG LOADER HYDRAULICS

PARKER 450/300 MCV - (INLET SECTION) - (SN. 1154 & FORWARD)



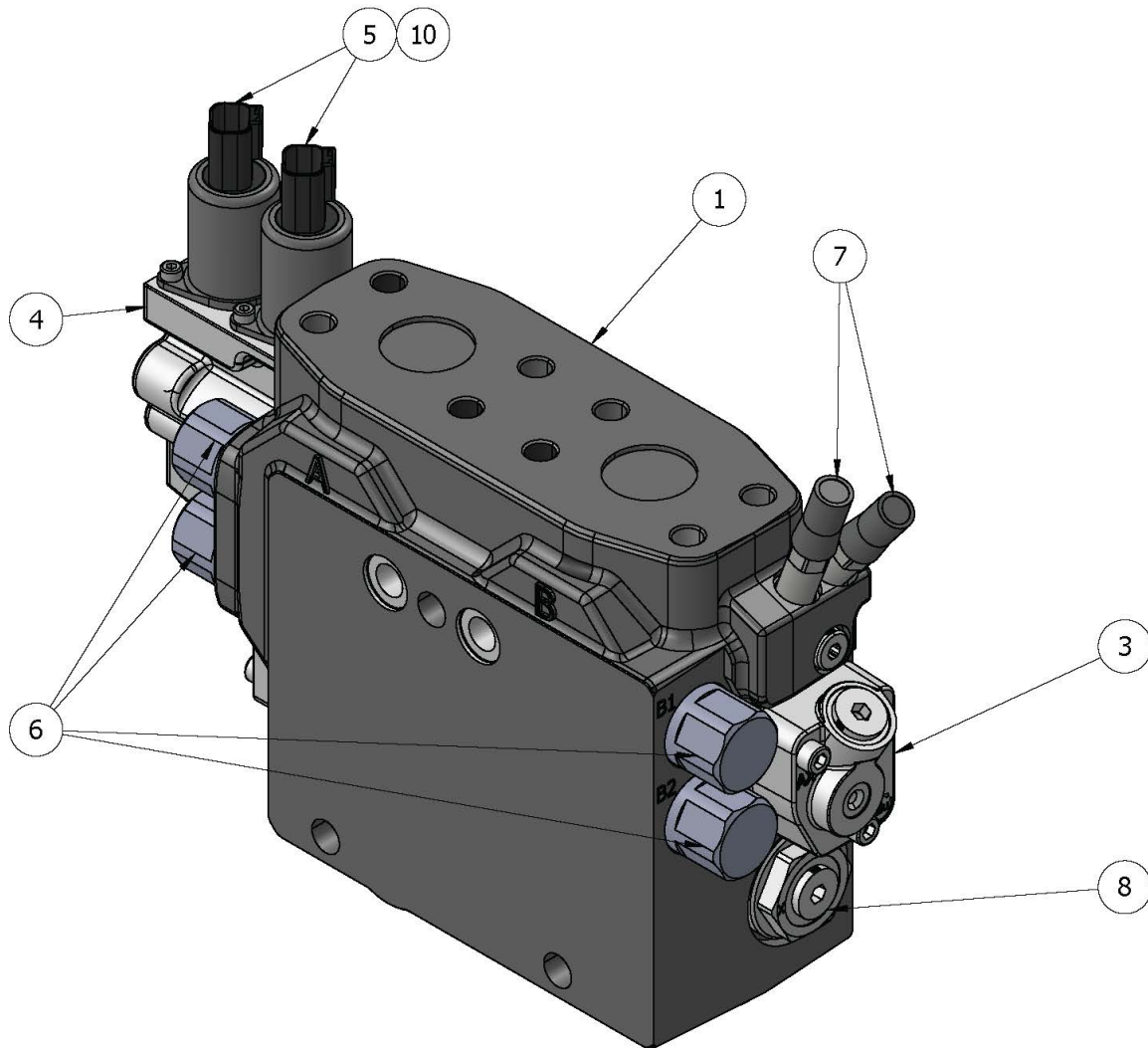
# LOG LOADER HYDRAULICS

## PARKER 450/300 MCV - (INLET SECTION) - (SN. 1154 & FORWARD)

REF	PART #	QTY	DESCRIPTION	SEE SECTION
1	CALL	1	VA450 INLET SECTION	
2	CALL	1	RELIEF	

# LOG LOADER HYDRAULICS

PARKER 450/300 MCV - (MAIN BOOM SECTION - M1 PORTS) - (SN. 1154 & FORWARD)



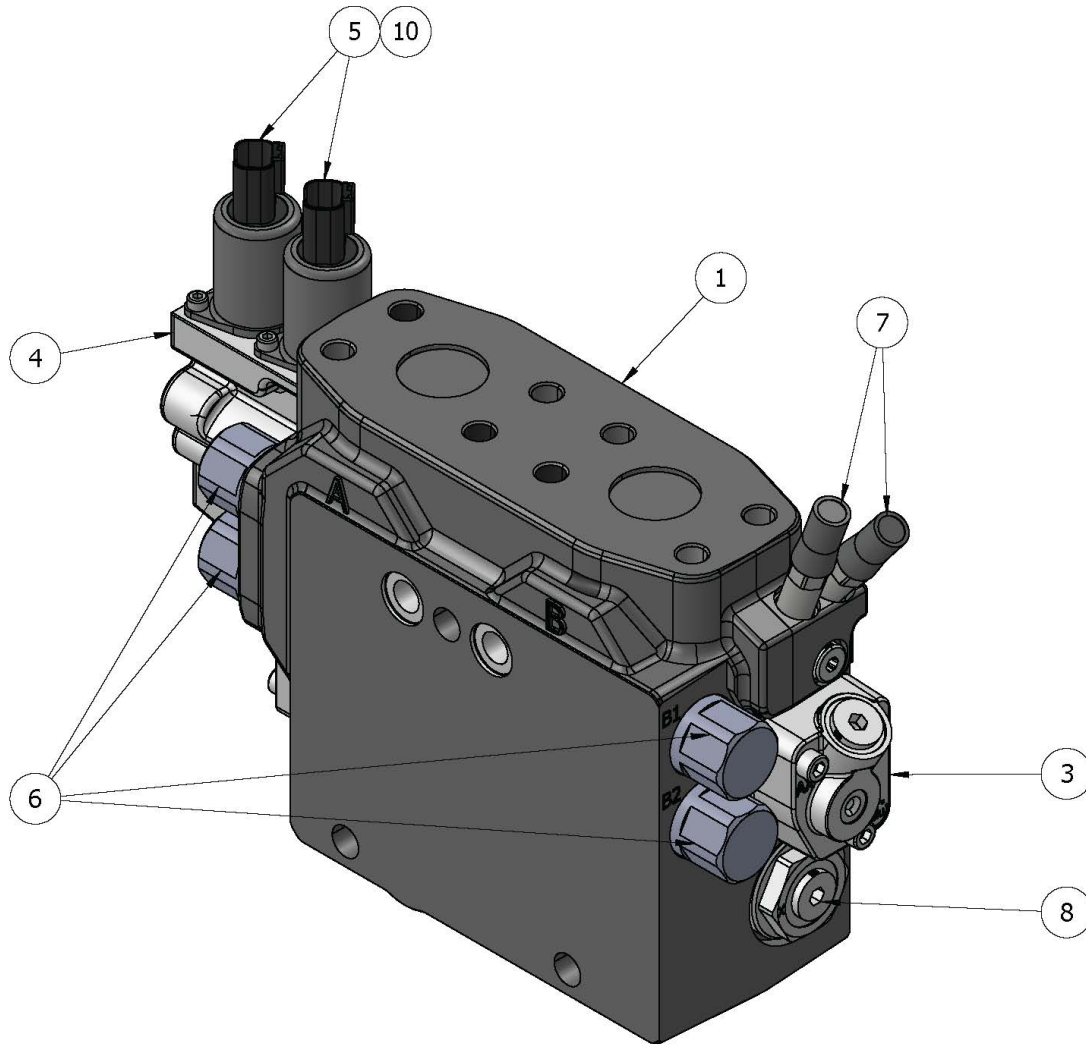
# LOG LOADER HYDRAULICS

**PARKER 450/300 MCV - (MAIN BOOM SECTION - M1 PORTS) - (SN. 1154 & FORWARD)**

REF	PART #	QTY	DESCRIPTION	SEE SECTION
1	CALL	1	VA450 MAIN BOOM SECTION - (M1 PORTS)	
2	CALL	1	SPOOL <b>(NOT SHOWN)</b>	
3	CALL	1	KIT B-SIDE COVER U VA450/VA300 CAP B W/O STROKE LIMITER <b>(NOT SHOWN)</b>	
4	CALL	1	KIT EC-CAP COMPLETE U VA450/VA300 ENDCAP W/O STROKE LIMITER	
5	CALL	2	24VDC SOLENOID PILOT DEUSTCH W ORIFICE 0.8 MM	
6	CALL	4	PORT RELIEF <b>(NOT SHOWN)</b>	
7	CALL	2	SUPPLY REDUCER	
8	CALL	1	COMPENSATOR KIT	
9	CALL	1	KIT, SPRING PACK <b>(NOT SHOWN)</b>	
10	CALL	2	PILOT ORFICE	

# LOG LOADER HYDRAULICS

PARKER 450/300 MCV - (MAIN BOOM SECTION - M2 PORTS) - (SN. 1154 & FORWARD)





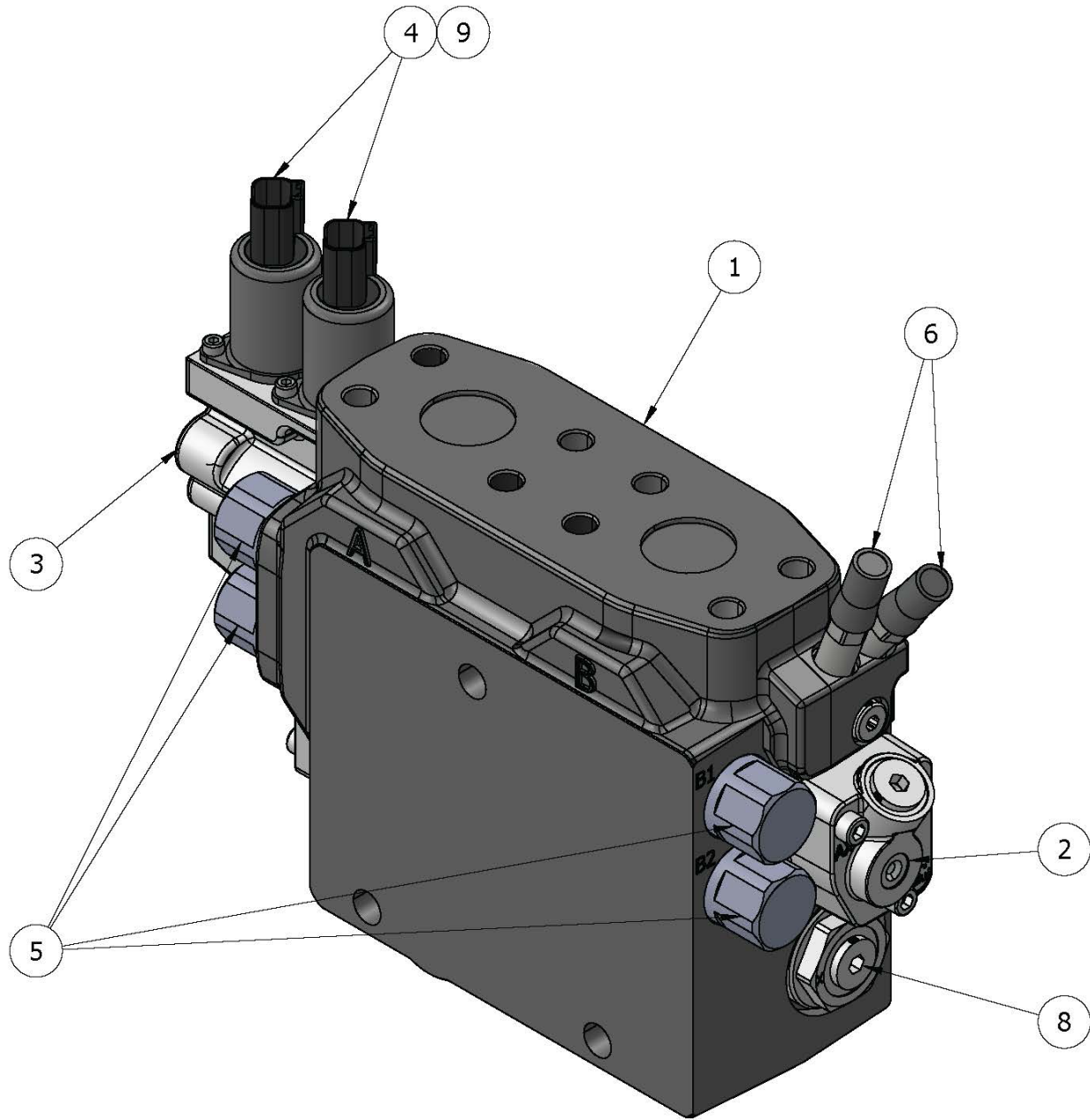
# LOG LOADER HYDRAULICS

## PARKER 450/300 MCV - (MAIN BOOM SECTION - M2 PORTS) - (SN. 1154 & FORWARD)

REF	PART #	QTY	DESCRIPTION	SEE SECTION
1	CALL	1	VA450 MAIN BOOM SECTION - (M2 PORTS)	
2	CALL	1	SPOOL <b>(NOT SHOWN)</b>	
3	CALL	1	KIT B-SIDE COVER U VA450/VA300 CAP B W/O STROKE LIMITER <b>(NOT SHOWN)</b>	
4	CALL	1	KIT EC-CAP COMPLETE U VA450/VA300 ENDCAP W/O STROKE LIMITER	
5	CALL	2	24VDC SOLENOID PILOT DEUSTCH W ORIFICE 0.8 MM	
6	CALL	4	PORT RELIEF <b>(NOT SHOWN)</b>	
7	CALL	2	SUPPLY REDUCER	
8	CALL	1	COMPENSATOR KIT	
9	CALL	1	KIT, SPRING PACK <b>(NOT SHOWN)</b>	
10	CALL	2	PILOT ORFICE	

# LOG LOADER HYDRAULICS

PARKER 450/300 MAIN CONTROL VALVE - (LIVE HEEL SECTION) - (SN. 1154 & FORWARD)



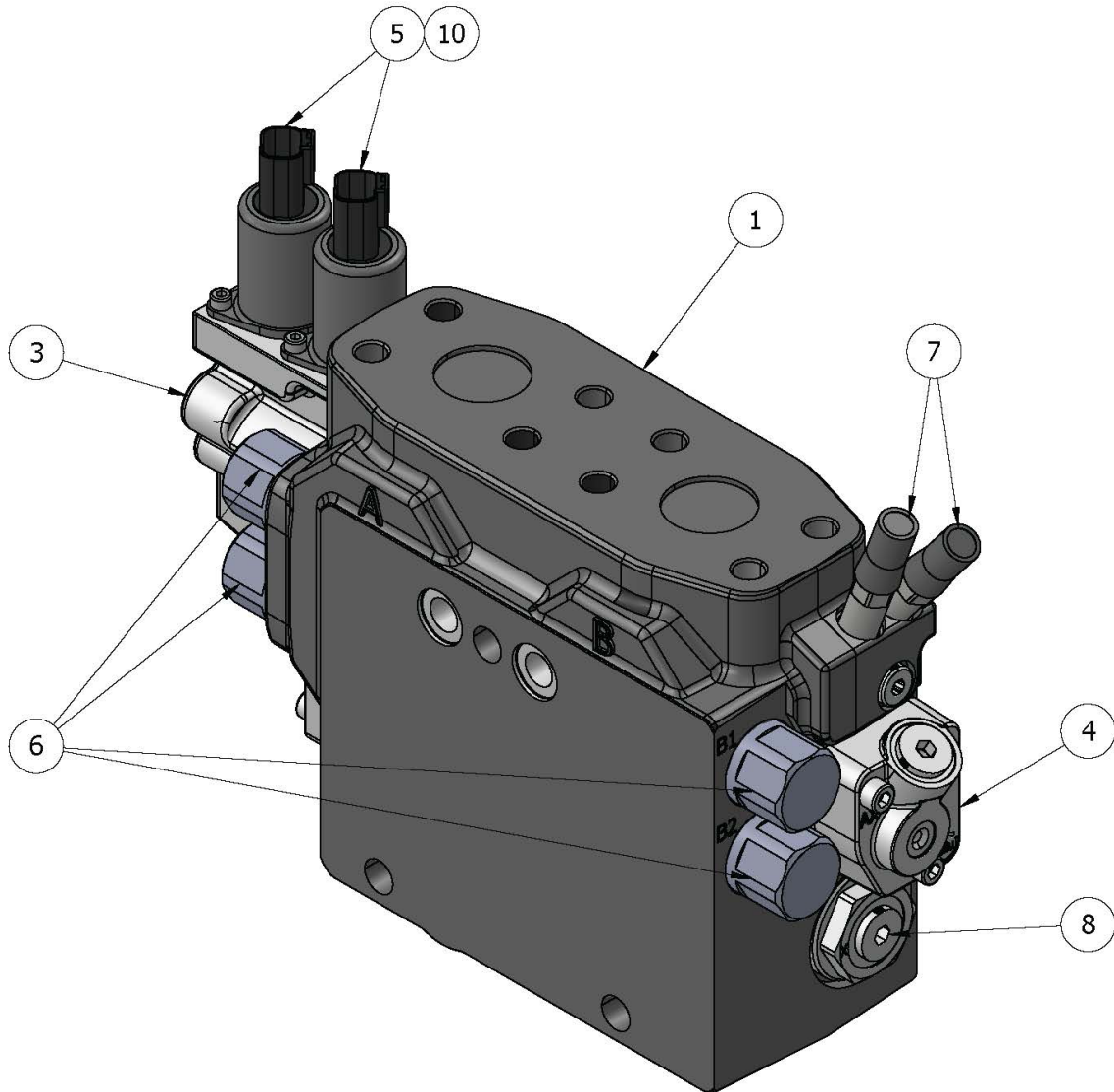
# LOG LOADER HYDRAULICS

## PARKER 450/300 MAIN CONTROL VALVE - (LIVE HEEL SECTION) - (SN. 1154 & FORWARD)

REF	PART #	QTY	DESCRIPTION	SEE SECTION
1	CALL	1	VA450 LIVE HEEL SECTION	
2	CALL	1	KIT B-SIDE COVER U VA450/VA300 CAP B W/O STROKE LIMITER <b>(NOT SHOWN)</b>	
3	CALL	1	KIT EC-CAP COMPLETE U VA450/VA300 ENDCAP W/O STROKE LIMITER	
4	CALL	2	24VDC SOLENOID PILOT DEUSTCH W ORIFICE 0.8 MM	
5	CALL	4	PORT RELIEF <b>(NOT SHOWN)</b>	
6	CALL	2	SUPPLY REDUCER	
7	CALL	1	KIT, SPRING PACK <b>(NOT SHOWN)</b>	
8	CALL	1	VA450 A AND B SIDE EK COMPENSATOR KIT	
9	CALL	2	PILOT ORFICE	

# LOG LOADER HYDRAULICS

PARKER 450/300 MCV - (STICK BOOM SECTION - M1 PORTS) - (SN. 1154 & FORWARD)



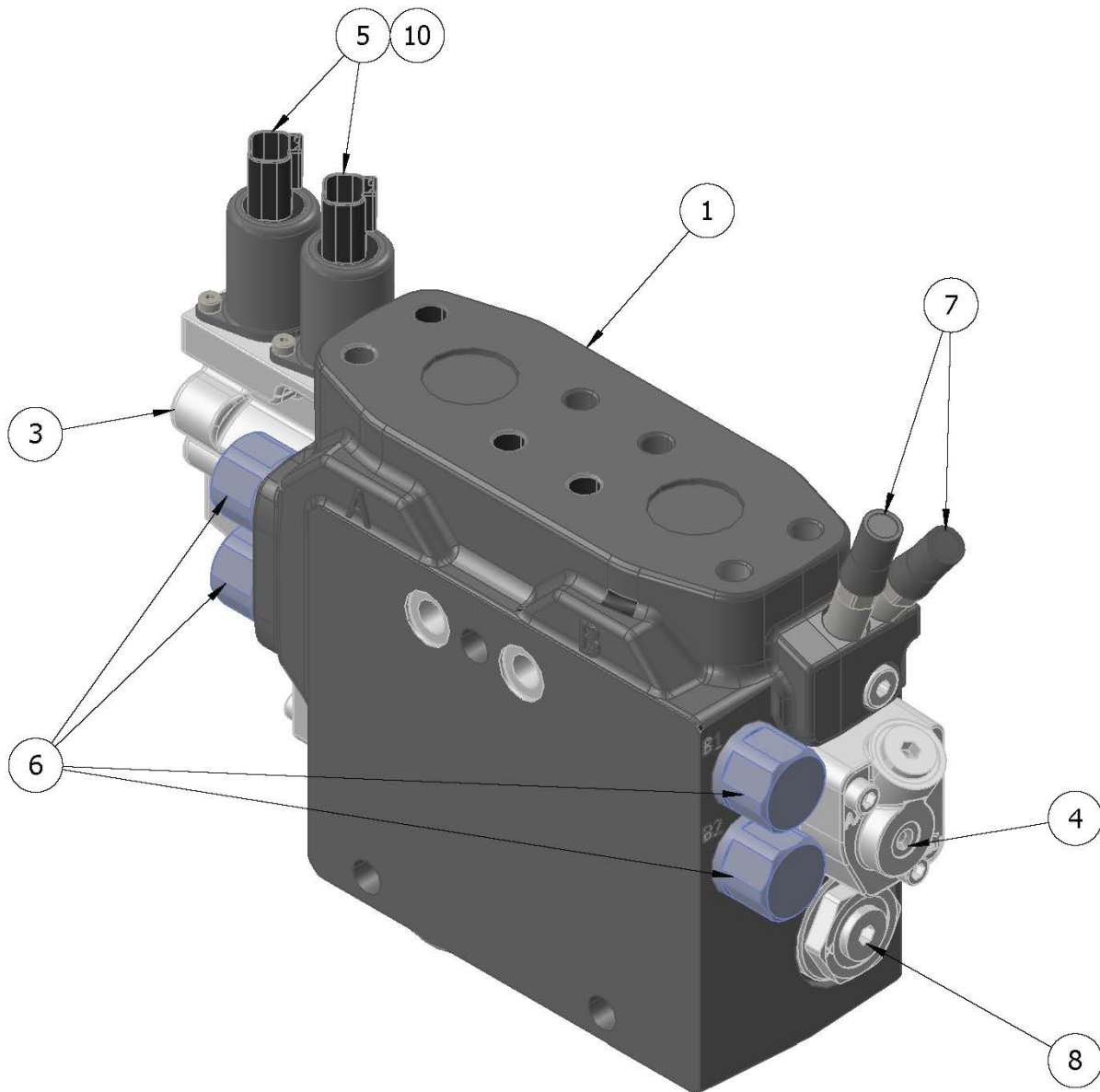
# LOG LOADER HYDRAULICS

PARKER 450/300 MCV - (STICK BOOM SECTION - M1 PORTS) - (SN. 1154 & FORWARD)

REF	PART #	QTY	DESCRIPTION	SEE SECTION
1	CALL	1	VA450 STICK BOOM SECTION - (M1 PORTS)	
2	CALL	1	SPOOL ( <b>NOT SHOWN</b> )	
3	CALL	1	KIT EC-CAP COMPLETE U VA450/VA300 ENDCAP W/O STROKE LIMITER ( <b>NOT SHOWN</b> )	
4	CALL	1	KIT B-SIDE COVER U VA450/VA300 CAP B W/O STROKE LIMITER	
5	CALL	2	24VDC SOLENOID PILOT DEUSTCH W ORIFICE 0.8 MM	
6	CALL	4	PORT RELIEF ( <b>NOT SHOWN</b> )	
7	CALL	2	SUPPLY REDUCER	
8	CALL	1	COMPENSATOR KIT	
9	CALL	1	KIT, SPRING PACK ( <b>NOT SHOWN</b> )	
10	CALL	2	PILOT ORFICE	

# LOG LOADER HYDRAULICS

PARKER 450/300 MCV - (STICK BOOM SECTION - M2 PORTS) - (SN. 1154 & FORWARD)



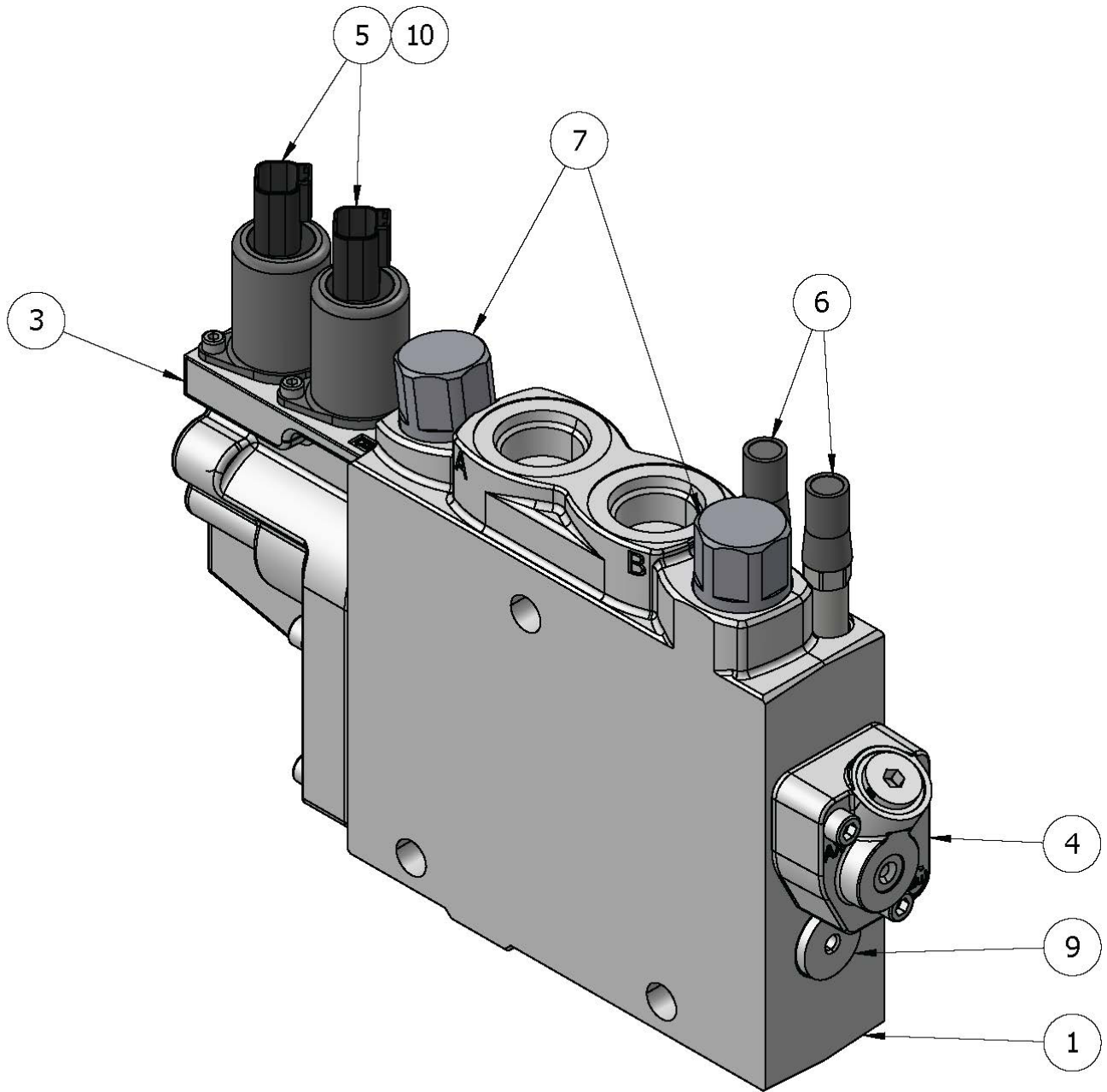
# LOG LOADER HYDRAULICS

PARKER 450/300 MCV - (STICK BOOM SECTION - M2 PORTS) - (SN. 1154 & FORWARD)

REF	PART #	QTY	DESCRIPTION	SEE SECTION
1	CALL	1	VA450 STICK BOOM SECTION - (M2 PORTS)	
2	CALL	1	SPOOL <b>(NOT SHOWN)</b>	
3	CALL	1	KIT EC-CAP COMPLETE U VA450/VA300 ENDCAP W/O STROKE LIMITER <b>(NOT SHOWN)</b>	
4	CALL	1	KIT B-SIDE COVER U VA450/VA300 CAP B W/O STROKE LIMITER	
5	CALL	2	24VDC SOLENOID PILOT DEUSTCH W ORIFICE 0.8 MM	
6	CALL	4	PORT RELIEF <b>(NOT SHOWN)</b>	
7	CALL	2	SUPPLY REDUCER	
8	CALL	1	COMPENSATOR KIT	
9	CALL	1	KIT, SPRING PACK <b>(NOT SHOWN)</b>	
10	CALL	2	PILOT ORFICE	

# LOG LOADER HYDRAULICS

PARKER 450/300 MCV - (GRAPPLE OPEN/CLOSE SECTION) - (SN. 1154 & FORWARD)





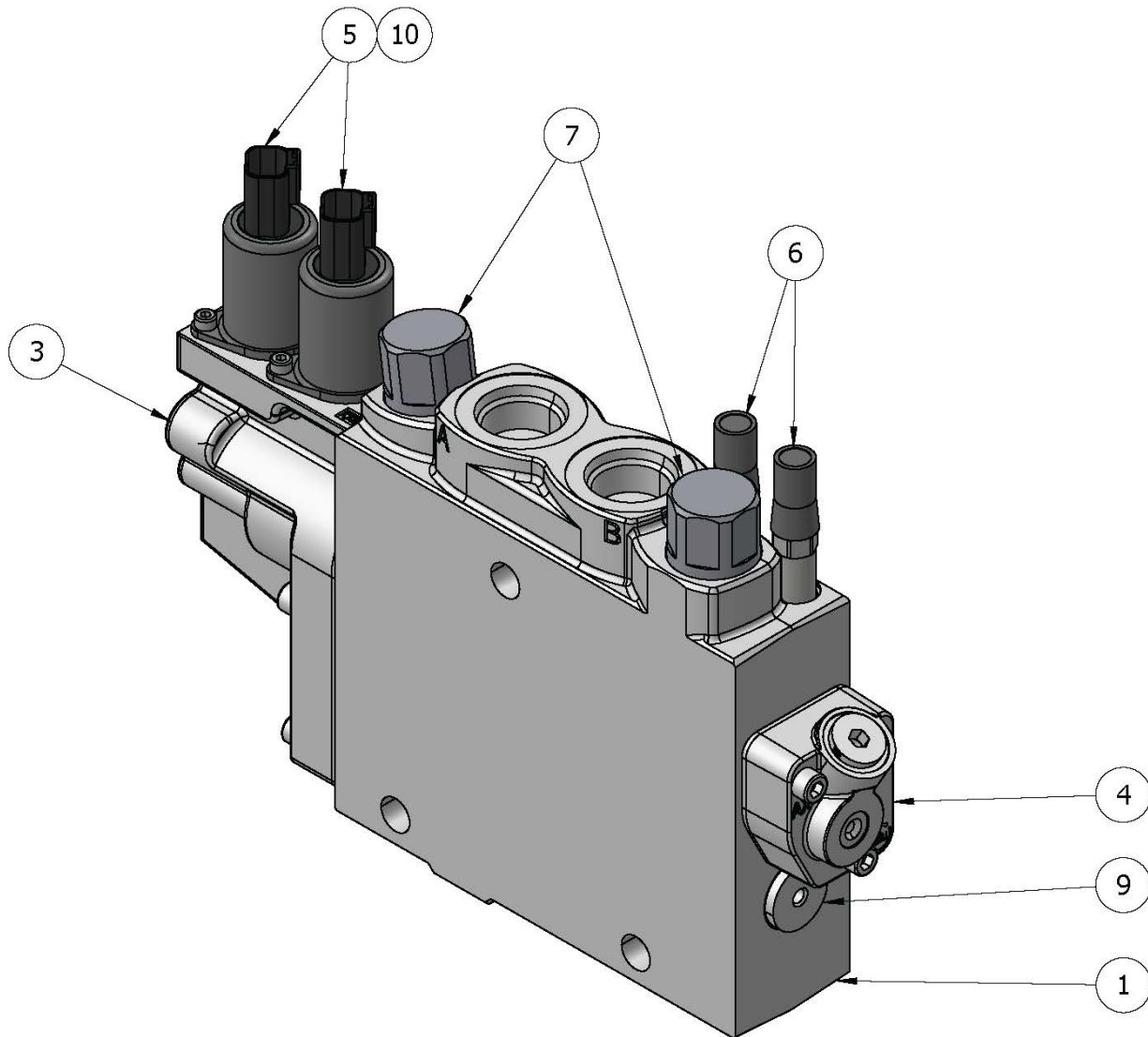
# LOG LOADER HYDRAULICS

**PARKER 450/300 MCV - (GRAPPLE OPEN/CLOSE SECTION) - (SN. 1154 & FORWARD)**

REF	PART #	QTY	DESCRIPTION	SEE SECTION
1	CALL	1	VA300 GRAPPLE OPEN/CLOSE SECTION	
2	CALL	1	SPOOL <b>(NOT SHOWN)</b>	
3	CALL	1	KIT EC-CAP COMPLETE U VA450/VA300 ENDCAP W/O STROKE LIMITER <b>(NOT SHOWN)</b>	
4	CALL	1	KIT B-SIDE COVER U VA450/VA300 CAP B W/O STROKE LIMITER	
5	CALL	2	24VDC SOLENOID PILOT DEUSTCH W ORIFICE 0.8 MM	
6	CALL	2	SUPPLY REDUCER	
7	CALL	2	280 BAR WP RELIEF	
8	CALL	1	KIT, SPRING PACK <b>(NOT SHOWN)</b>	
9	CALL	1	COMPENSATOR KIT	
10	CALL	2	PILOT ORFICE	

# LOG LOADER HYDRAULICS

PARKER 450/300 MCV - (GRAPPLE ROTATE SECTION) - (SN. 1154 & FORWARD)



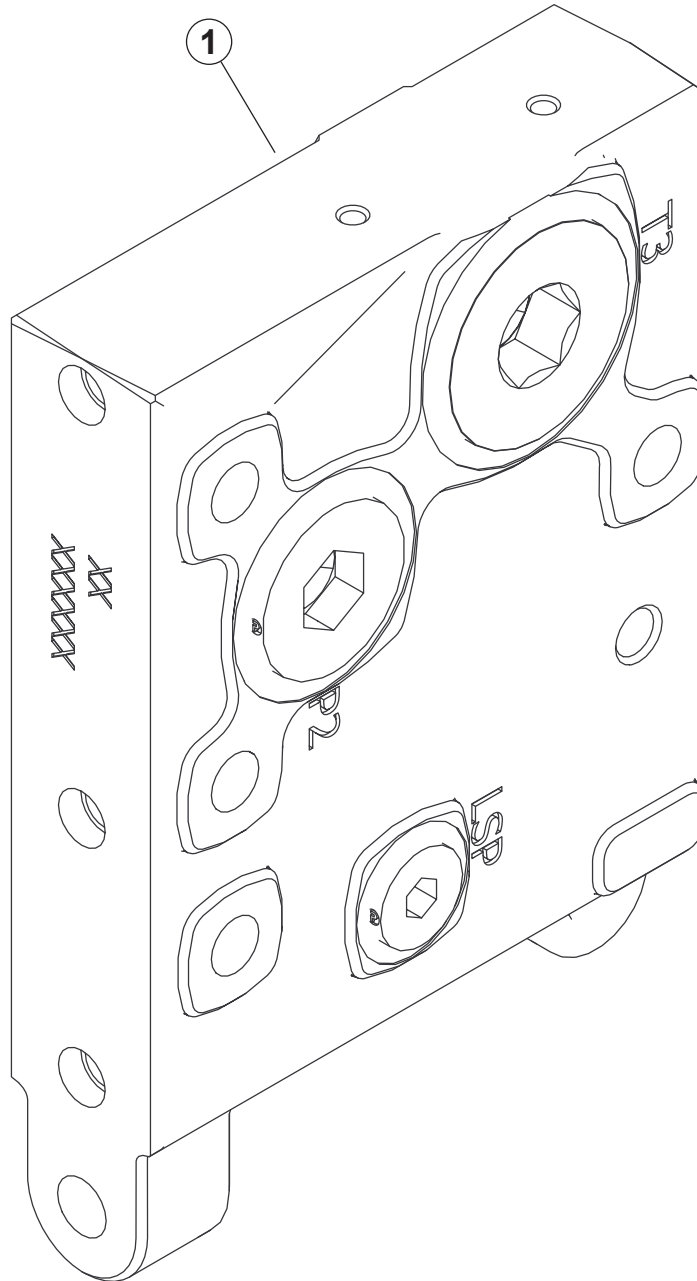
# LOG LOADER HYDRAULICS

## PARKER 450/300 MCV - (GRAPPLE ROTATE SECTION) - (SN. 1154 & FORWARD)

REF	PART #	QTY	DESCRIPTION	SEE SECTION
1	CALL	1	VA300 GRAPPLE ROTATE SECTION	
2	CALL	1	SPOOL <b>(NOT SHOWN)</b>	
3	CALL	1	KIT EC-CAP COMPLETE U VA450/VA300 ENDCAP W/O STROKE LIMITER <b>(NOT SHOWN)</b>	
4	CALL	1	KIT B-SIDE COVER U VA450/VA300 CAP B W/O STROKE LIMITER	
5	CALL	2	24VDC SOLENOID PILOT DEUSTCH W ORIFICE 0.8 MM	
6	CALL	2	SUPPLY REDUCER	
7	CALL	2	280 BAR WP RELIEF	
8	CALL	1	KIT, SPRING PACK <b>(NOT SHOWN)</b>	
9	CALL	1	COMPENSATOR KIT	
10	CALL	2	PILOT ORFICE	

# LOG LOADER HYDRAULICS

PARKER 450/300 MAIN CONTROL VALVE - (END SECTION) - (SN. 1154 & FORWARD)



# LOG LOADER HYDRAULICS

## PARKER 450/300 MAIN CONTROL VALVE - (END SECTION) - (SN. 1154 & FORWARD)

REF	PART #	QTY	DESCRIPTION	SEE SECTION
1	CALL	1	VA300 END SECTION	

