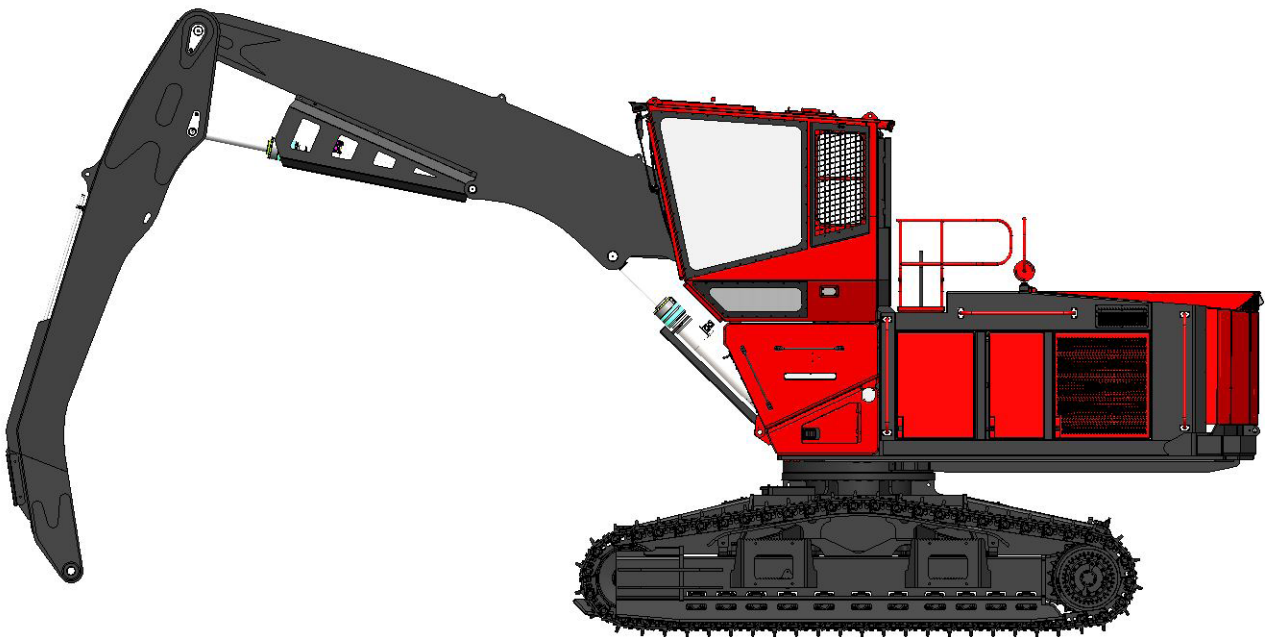


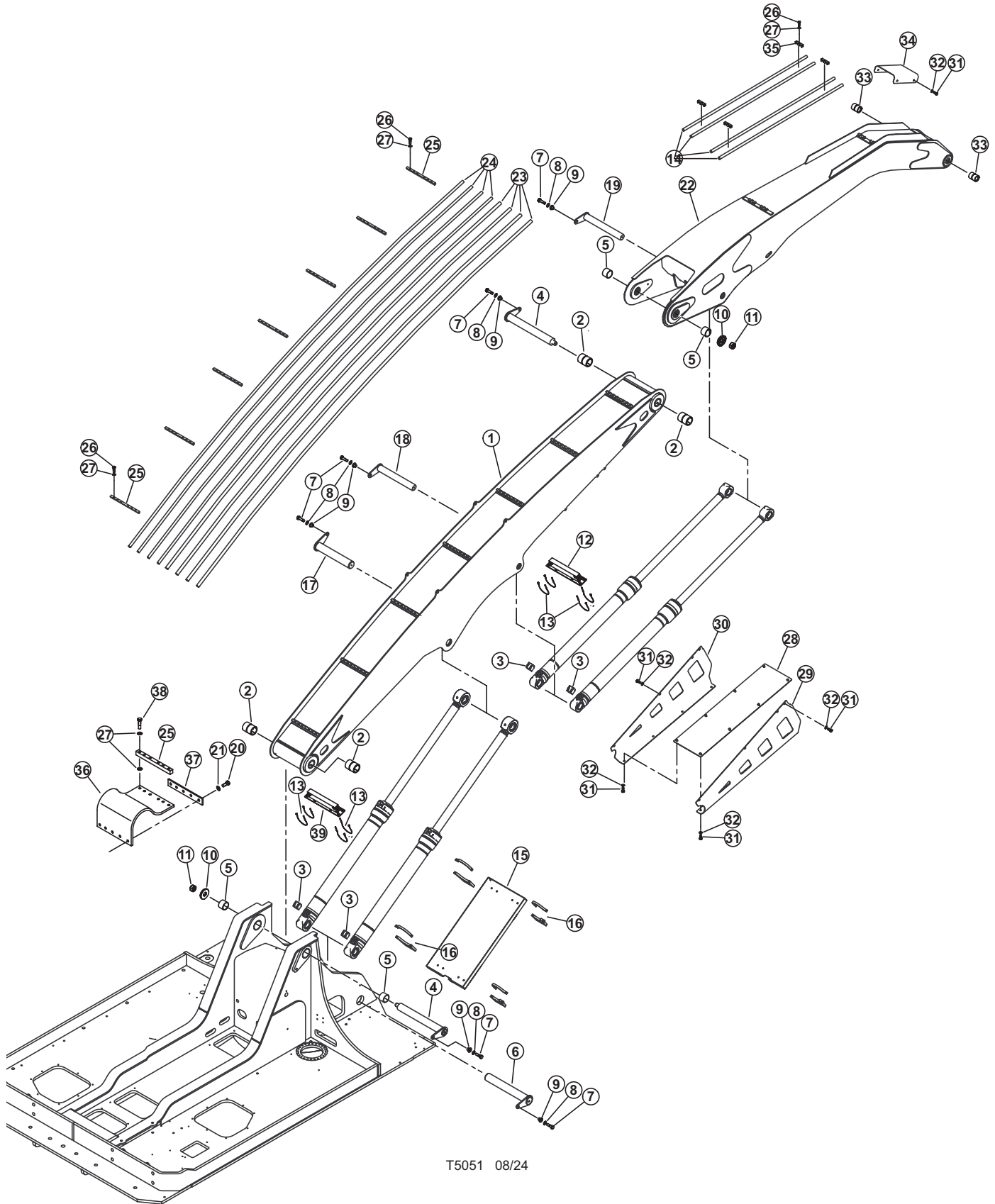
SECTION LLB-1

LOG LOADER BOOM ASSEMBLY AND INSTALLATION



LOG LOADER BOOM ASSEMBLY AND INSTALLATION

MILL YARD BOOM MAIN AND STICK ASSEMBLY



T5051 08/24

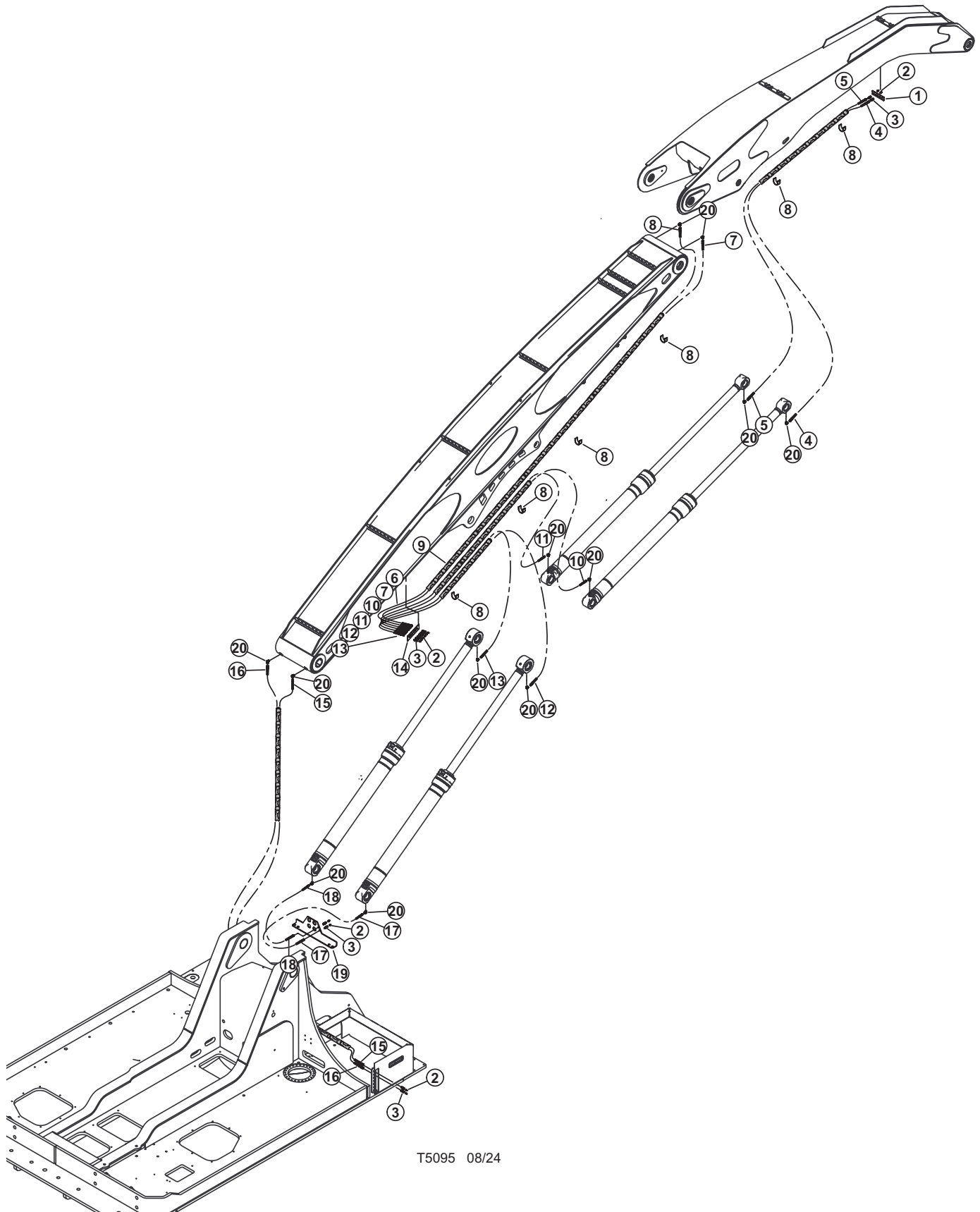
LOG LOADER BOOM ASSEMBLY AND INSTALLATION

MILL YARD BOOM MAIN AND STICK ASSEMBLY

REF	PART #	QTY	DESCRIPTION	SEE SECTION
1	663040	1	WELDMENT, MAIN BOOM - LL	
2	48928	4	BUSHING, 5.00" OD x 4.00" ID X 5.00" L	
3	57601	4	FLANGE, BLOCK ELBOW W184-16-16U CODE 62	
4	62190	2	PIN, MAIN	
5	62488	4	BUSHING, 4.5"X4.0"X3.19 LG	
6	62387	1	PIN, MIAN CYLINDER	
7	10841	6	BOLT - .75" X 3.5"	
8	15550	6	WASHER, FLAT SAE - .75"	
9	18570	6	WASHER, PIN RETAINING	
10	48771	2	WASHER, 6.00 OD X 2.13 ID DISHED	
11	10728	2	NUT, NYLOCK - 2" (ZINC PLATED)	
12	62545	1	MANIFOLD - MAIN/STICK CYLINDER	
13	57748	8	CABLE, CYL MANIFOLD MOUNT	
14	66277	4	STICK BOOM TUBELINES #12	
15	62592	1	PLATE, LOWER CYL GUARD - LL	
16	62593	4	PLATE, CYL CLAMP - LL	
17	62490	1	PIN, 4.25" X 25.25"	
18	62429	1	PIN ASSY, 90MM X 25.50"	
19	62491	1	PIN, 90MM X 27.5" - STK CYL STK BOOM	
20	11707	5	BOLT - .375" X 1"	
21	10802	5	WASHER, FLAT - .375"	
22	66110	1	STICK BOOM WELDMENT	
23	62600	4	MAIN BOOM TUBELINES #16	
24	62601	4	MAIN BOOM TUBELINES #12	
25	62562	6	CLAMP, SADDLE TOP - LL	
26	23262	36	BOLT - .625" X 3.25"	
27	10771	42	WASHER, SAE FLAT - .625"	
28	65579	1	ASSY, LOWER CYL GUARD - LL	
29	65578	1	PLATE, CYL GUARD SIDE - RH	
30	65577	1	PLATE, CYL GUARD SIDE - LH	
31	18933	20	BOLT - .5" X 1.75"	
32	10804	20	WASHER, FLAT - .5"	
33	48425	2	BUSHING, 3.5"X3.0"X 4.5"	
34	66280	1	PLATE, TUBELINE SHIELD	
35	19324	4	CLAMP, SADDLE TOP - .75" X .75"	
36	62779	1	RUBBER, DEBRIS FLAP-TAIL	
37	48663	1	BAR, DEBRIS FLAP HOLD-DOWN	
38	10773	6	BOLT - .625" X .5"	
39	65980	1	WELDMENT, MAIN CYLINDERS MAINIFOLD-LL	

LOG LOADER SHOVEL BOOM ASSEMBLY AND INSTALLATION

MILL YARD BOOM GREASE LINES ASSEMBLY AND INSTALLATION



T5095 08/24

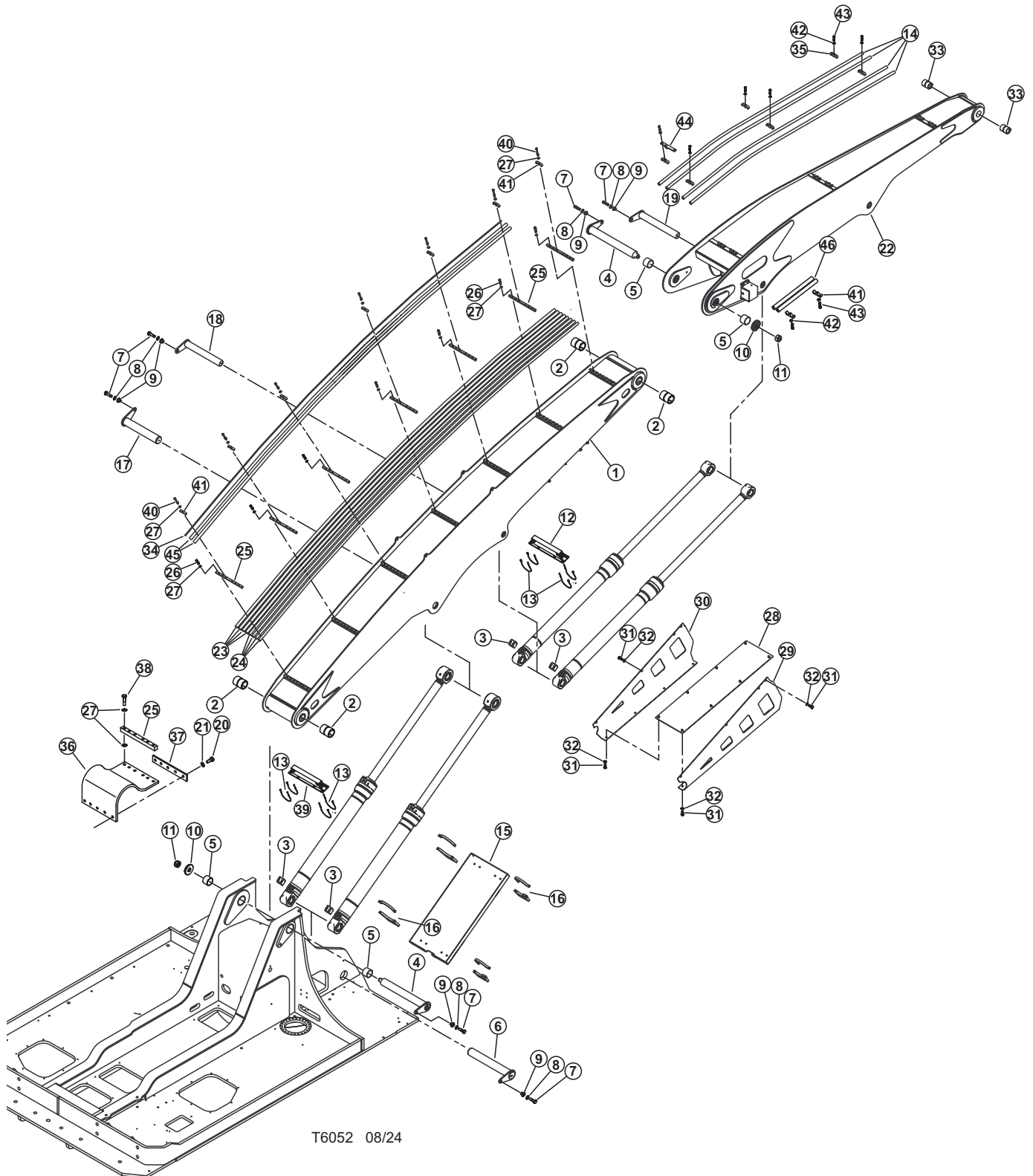
LOG LOADER SHOVEL BOOM ASSEMBLY AND INSTALLATION

MILL YARD BOOM GREASE LINES ASSEMBLY AND INSTALLATION

REF	PART #	QTY	DESCRIPTION	SEE SECTION
1	(CALL)	1	STICK BOOM GREASE FITTING PLATE - (WELD ON)	
2	10704	12	FITTING, GREASE - .125 NPT - STR	
3	15658	12	CONNECTOR, STR BULKHEAD - 2239-2-4S	
4	(66355 - KIT)	1	HOSE ASSY - (PART # 387TC122 06-06JS-06J9-W) (STICK CYL ROD TO GREASE PLATE-RH)	
5	(66355 - KIT)	1	HOSE ASSY - (PART # 387TC122 06-06JS-06J9-W) (STICK CYL ROD TO GREASE PLATE-LH)	
6	(66355 - KIT)	1	HOSE ASSY - (PART # 387TC264 06-06JS-06J9-W) (MAIN / STICK PIN TO GREASE PLATE-RH)	
7	(66355 - KIT)	1	HOSE ASSY - (PART # 387TC264 06-06JS-06J9-W) (MAIN / STICK PIN TO GREASE PLATE-LH)	
8	(CALL)	6	GREASE PLATE HOOP - (WELD ON)	
19	20810	AR	SLEEVE, PROTECTIVE HOSE - 0.75"	
10	(66355 - KIT)	1	HOSE ASSY - (PART # 387TC163 06-06JS-06J9-W) (STICK CYL BASE TO GREASE PLATE-RH)	
11	(66355 - KIT)	1	HOSE ASSY - (PART # 387TC163 06-06JS-06J9-W) (STICK CYL BASE TO GREASE PLATE-LH)	
12	(66355 - KIT)	1	HOSE ASSY - (PART # 387TC105 06-06JS-06J9-W) (MAIN CYL ROD TO GREASE PLATE-RH)	
13	(66355 - KIT)	1	HOSE ASSY - (PART # 387TC105 06-06JS-06J9-W) (MAIN CYL ROD TO GREASE PLATE-LH)	
14	(CALL)	1	MAIN BOOM GREASE FITTING PLATE - (WELD ON)	
15	(66355 - KIT)	1	HOSE ASSY - (PART # 387TC130 06-06JS-06J9-W) (MAIN BOOM BASE TO TOOLBOX GREASE PLATE-RH)	
16	(66355 - KIT)	1	HOSE ASSY - (PART # 387TC130 06-06JS-06J9-W) (MAIN BOOM BASE TO TOOLBOX GREASE PLATE-LH)	
17	(66355 - KIT)	1	HOSE ASSY - (PART # 387TC36 06-06JS-06J9-W) (MAIN CYL BASE TO BULKHEAD PLATE-RH)	
18	(66355 - KIT)	1	HOSE ASSY - (PART # 387TC36 06-06JS-06J9-W) (MAIN CYL BASE TO BULKHEAD PLATE-LH)	
19	62567	1	PLATE, DUAL #20 BH MT	
20	22281	12	ELBOW, 90 - 5546132	

LOG LOADER BOOM ASSEMBLY AND INSTALLATION

LIVE HEEL MAIN AND STICK BOOM ASSEMBLY



T6052 08/24

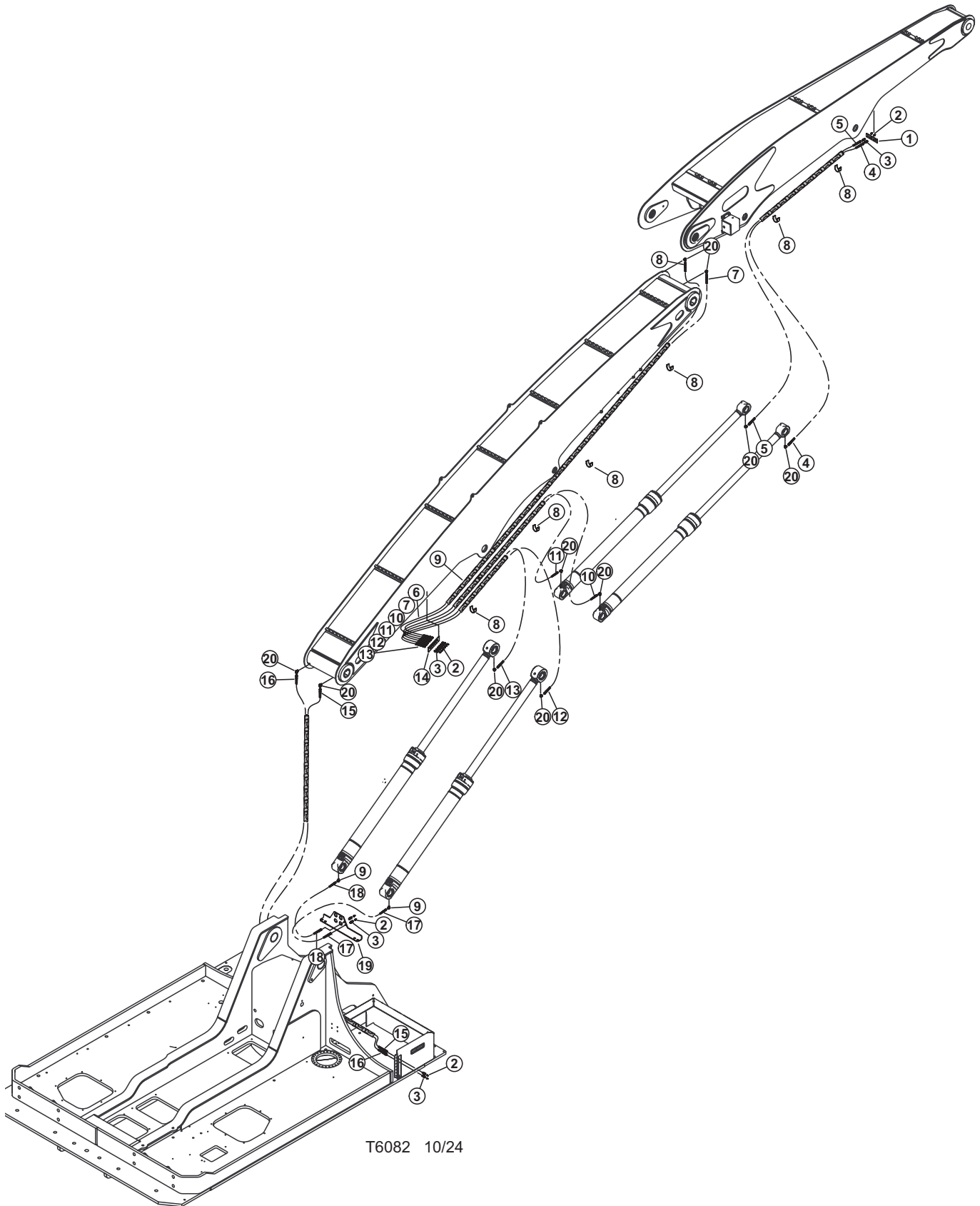
LOG LOADER BOOM ASSEMBLY AND INSTALLATION

LIVE HEEL MAIN AND STICK BOOM ASSEMBLY

REF	PART #	QTY	DESCRIPTION	SEE SECTION
1	663040	1	WELDMENT, MAIN BOOM - LL	
2	48928	4	BUSHING, 5.00" OD x 4.00" ID X 5.00" L	
3	57601	4	FLANGE, BLOCK ELBOW W184-16-16U CODE 62	
4	62190	2	PIN, MAIN	
5	62488	4	BUSHING, 4.5"X4.0"X3.19 LG	
6	62387	1	PIN, MIAN CYLINDER	
7	10841	6	BOLT - .75" X 3.5"	
8	15550	6	WASHER, FLAT SAE - .75"	
9	18570	6	WASHER, PIN RETAINING	
10	48771	2	WASHER, 6.00 OD X 2.13 ID DISHED	
11	10728	2	NUT, NYLOCK - 2" (ZINC PLATED)	
12	62545	1	MANIFOLD - MAIN/STICK CYLINDER	
13	57748	8	CABLE, CYL MANIFOLD MOUNT	
14	62637	4	TUBELINE, LL STICK .75" X 111.0"	
15	62592	1	PLATE, LOWER CYL GUARD - LL	
16	62593	4	PLATE, CYL CLAMP - LL	
17	62490	1	PIN, 4.25" X 25.25"	
18	62429	1	PIN ASSY, 90MM X 25.50"	
19	62491	1	PIN, 90MM X 27.5" - STK CYL STK BOOM	
20	11707	5	BOLT - .375" X 1"	
21	10802	5	WASHER, FLAT - .375"	
22	62870	1	WELDMENT, STICK BOOM - LL HEEL MOUNT	
23	62600	4	MAIN BOOM TUBELINES #16	
24	62601	4	MAIN BOOM TUBELINES #12	
25	62562	6	CLAMP, SADDLE TOP - LL	
26	23262	30	BOLT - .625" X 3.25"	
27	10771	36	WASHER, SAE FLAT - .625"	
28	65579	1	ASSY, LOWER CYL GUARD - LL	
29	65578	1	PLATE, CYL GUARD SIDE - RH	
30	65577	1	PLATE, CYL GUARD SIDE - LH	
31	18933	20	BOLT - .5" X 1.75"	
32	10804	20	WASHER, FLAT - .5"	
33	48425	2	BUSHING, 3.5"X3.0"X 4.5"	
34	66570	1	TUBELINE, LIGHT WIRE	
35	19324	4	CLAMP, SADDLE TOP - .75" X .75"	
36	62779	1	RUBBER, DEBRIS FLAP-TAIL	
37	48663	1	BAR, DEBRIS FLAP HOLD-DOWN	
38	10773	6	BOLT - .625" X .5"	
39	65980	1	WELDMENT, MAIN CYLINDERS MAINIFOLD-LL	
40	66529	6	BOLT - .625" X 5.25"	
41	12447	8	CLAMP, SADDLE TOP TUBE - 1" & 1"	
42	66463	8	WASHER, FLAT - .625" - 1.3" OD	
43	15517	8	BOLT - .625" X 2.5"	
44	66571	1	BRACKET	
45	66450	2	TUBELINE, -16 X 23'-2"L, BOOM - LL	
46	19497	2	TUBELINE - 1" X 24"	

LOG LOADER SHOVEL BOOM ASSEMBLY AND INSTALLATION

LIVE HEEL BOOM GREASE LINES ASSEMBLY AND INSTALLATION



T6082 10/24

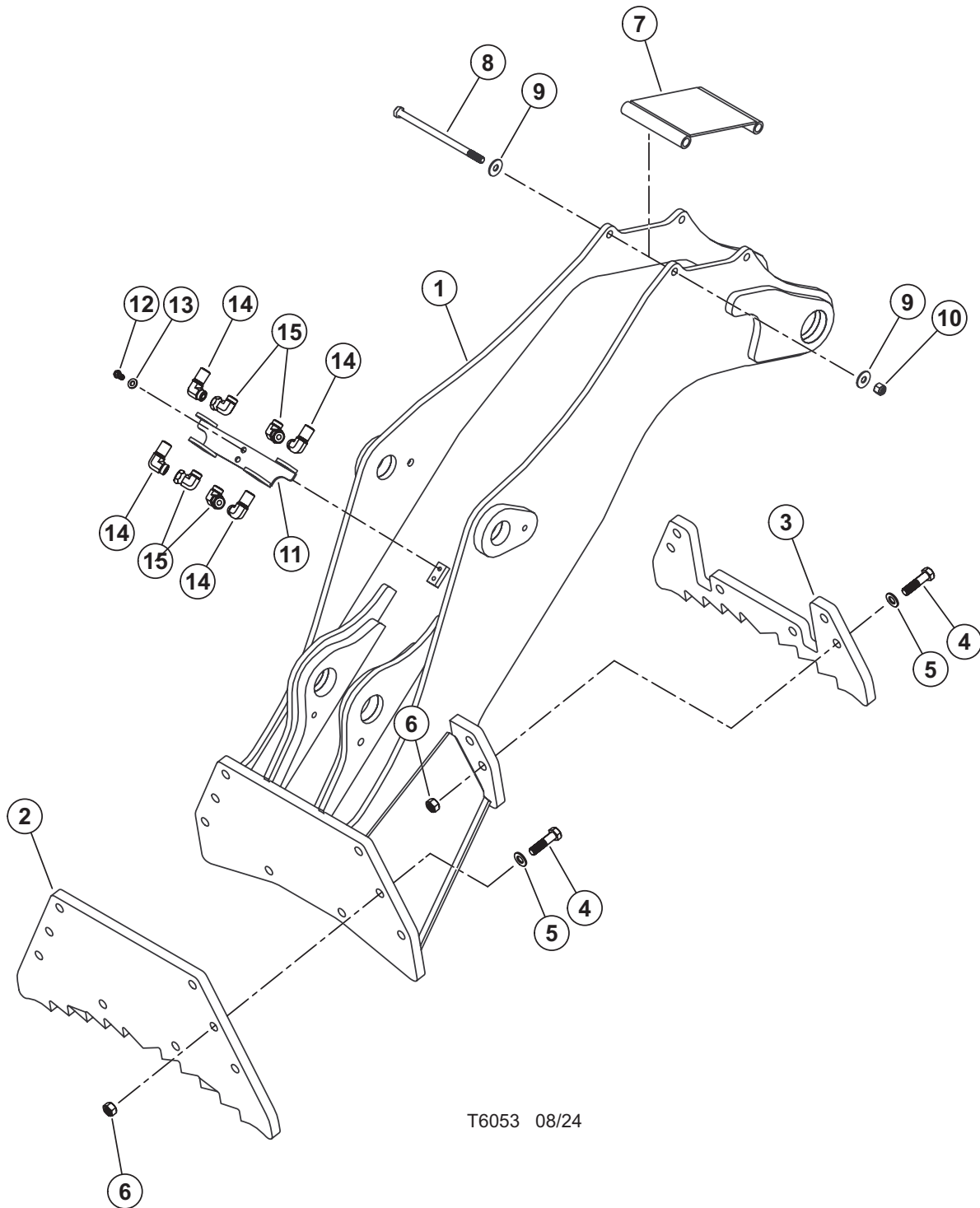
LOG LOADER SHOVEL BOOM ASSEMBLY AND INSTALLATION

LIVE HEEL BOOM GREASE LINES ASSEMBLY AND INSTALLATION

REF	PART #	QTY	DESCRIPTION	SEE SECTION
1	(CALL)	1	STICK BOOM GREASE FITTING PLATE - (WELD ON)	
2	10704	12	FITTING, GREASE - .125 NPT - STR	
3	15658	12	CONNECTOR, STR BULKHEAD - 2239-2-4S	
4	(66355 - KIT)	1	HOSE ASSY - (PART # 387TC122 06-06JS-06J9-W)(STICK CYL ROD TO GREASE PLATE-RH)	
5	(66355 - KIT)	1	HOSE ASSY - (PART # 387TC122 06-06JS-06J9-W)(STICK CYL ROD TO GREASE PLATE-LH)	
6	(66355 - KIT)	1	HOSE ASSY - (PART # 387TC264 06-06JS-06J9-W)(MAIN / STICK PIN TO GREASE PLATE-RH)	
7	(66355 - KIT)	1	HOSE ASSY - (PART # 387TC264 06-06JS-06J9-W)(MAIN / STICK PIN TO GREASE PLATE-LH)	
8	(CALL)	6	GREASE PLATE HOOP - (WELD ON)	
19	20810	AR	SLEEVE, PROTECTIVE HOSE - 0.75"	
10	(66355 - KIT)	1	HOSE ASSY - (PART # 387TC163 06-06JS-06J9-W)(STICK CYL BASE TO GREASE PLATE-RH)	
11	(66355 - KIT)	1	HOSE ASSY - (PART # 387TC163 06-06JS-06J9-W)(STICK CYL BASE TO GREASE PLATE-LH)	
12	(66355 - KIT)	1	HOSE ASSY - (PART # 387TC105 06-06JS-06J9-W)(MAIN CYL ROD TO GREASE PLATE-RH)	
13	(66355 - KIT)	1	HOSE ASSY - (PART # 387TC105 06-06JS-06J9-W)(MAIN CYL ROD TO GREASE PLATE-LH)	
14	(CALL)	1	MAIN BOOM GREASE FITTING PLATE - (WELD ON)	
15	(66355 - KIT)	1	HOSE ASSY - (PART # 387TC130 06-06JS-06J9-W)(MAIN BOOM BASE TO TOOLBOX GREASE PLATE-RH)	
16	(66355 - KIT)	1	HOSE ASSY - (PART # 387TC130 06-06JS-06J9-W)(MAIN BOOM BASE TO TOOLBOX GREASE PLATE-LH)	
17	(66355 - KIT)	1	HOSE ASSY - (PART # 387TC36 06-06JS-06J9-W)(MAIN CYL BASE TO BULKHEAD PLATE-RH)	
18	(66355 - KIT)	1	HOSE ASSY - (PART # 387TC36 06-06JS-06J9-W)(MAIN CYL BASE TO BULKHEAD PLATE-LH)	
19	62567	1	PLATE, DUAL #20 BH MT	
20	22281	12	ELBOW, 90 - 5546132	

LOG LOADER BOOM ASSEMBLY AND INSTALLATION

LIVE HEEL COMPONENTS



T6053 08/24

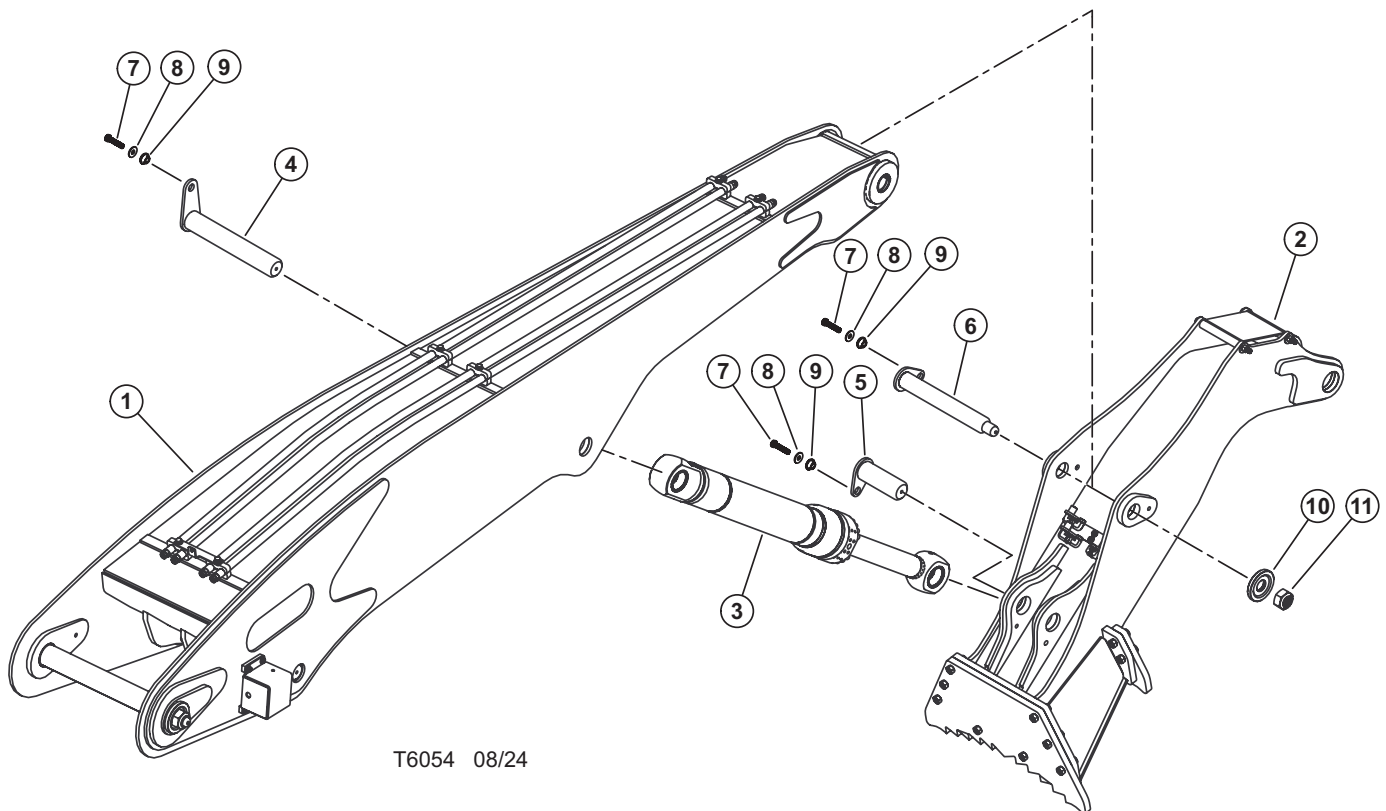
LOG LOADER BOOM ASSEMBLY AND INSTALLATION

LIVE HEEL COMPONENTS

REF	PART #	QTY	DESCRIPTION	SEE SECTION
1	66380	1	HEEL, WELDMENT - LL	
2	66398	1	PLATE, HEEL BASE TEETH - LL	
3	66396	1	BRACKET, HEEL-RACK MID TEETH - LL	
4	66406	14	BOLT - .875" X 3.5"	
5	10718	14	WASHER, SAE FLAT - .875"	
6	66395	14	NUT, HEX - .875"	
7	66399	1	GUARD, GRAPPLE HOSE	
8	66407	2	BOLT - .75" X 13"	
9	15550	4	WASHER, SAE FLAT - .75"	
10	10817	2	NUT, LOCK - .75"	
11	66402	1	BRACKET, HEEL BULKHEAD - LL	
12	10783	2	BOLT - .5" X 1"	
13	10804	2	WASHER, FLAT - .5"	
14	24188	4	ELBOW, 90 BULKHEAD - 855BH-TT-12	
15	17670	4	ELBOW, 90 SWIVEL - FF2098T-1212S	

LOG LOADER BOOM ASSEMBLY AND INSTALLATION

LIVE HEEL INSTALLATION



T6054 08/24

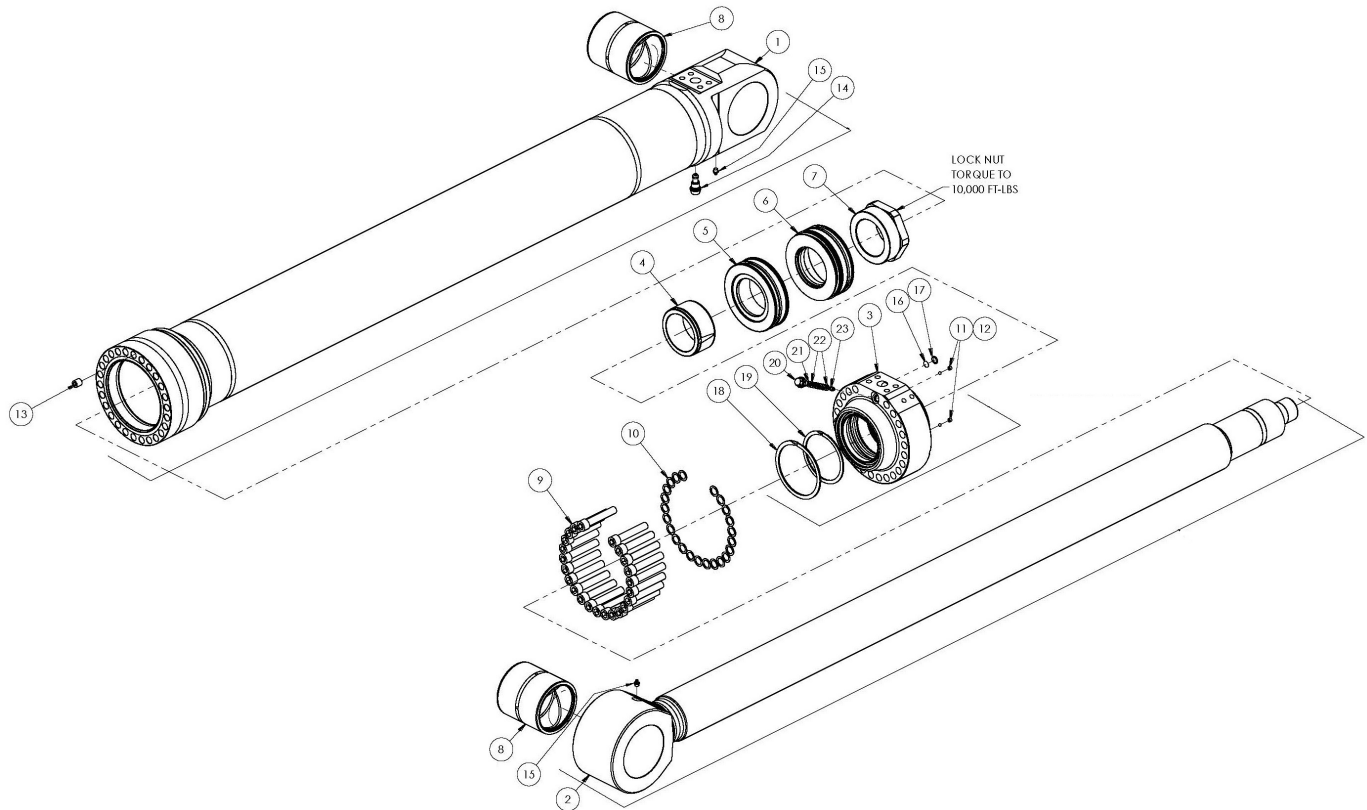
LOG LOADER BOOM ASSEMBLY AND INSTALLATION

LIVE HEEL INSTALLATION

REF	PART #	QTY	DESCRIPTION	SEE SECTION
1	2257700	1	ARM U., TN785	
2	2257800	1	HEEL U., TN785	
3	62295	1	CYLINDER, HEEL BOOM (150MM BORE - 40" ST	
4	62493	1	PIN ASSEMBLY	
5	62396	1	PIN ASSEMBLY	
6	62393	1	PIN ASSEMBLY	
7	10841	3	BOLT - .75" X 3.5"	
8	15550	3	WASHER, SAE FLAT - .75"	
9	18570	3	WASHER, PIN RETAINING	
10	48771	1	WASHER - 6 OD x 2.13 ID	
11	10728	1	NUT, NYLOCK - 2" (ZINC PLATED)	

LOG LOADER SHOVEL BOOM ASSEMBLY AND INSTALLATION

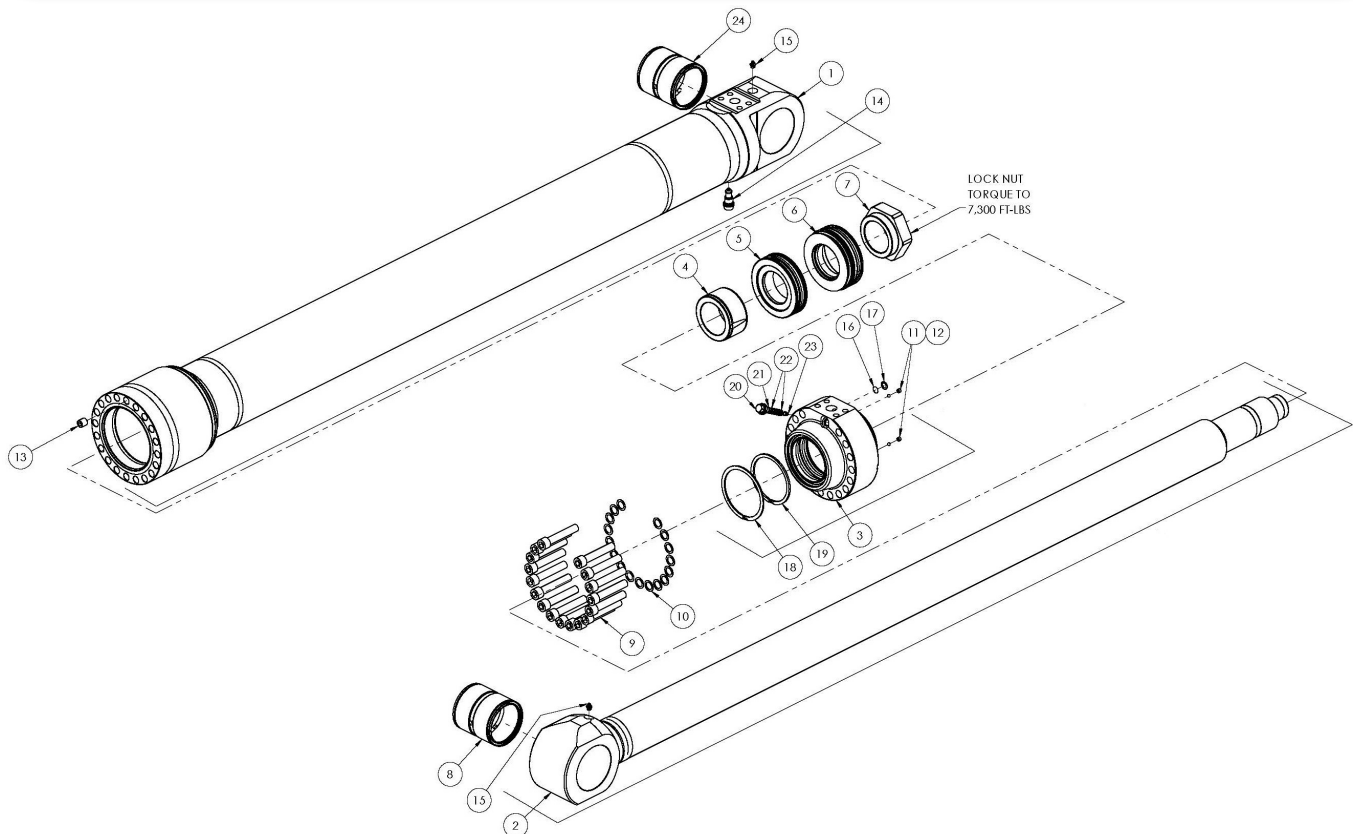
MILL YARD MAIN BOOM CYLINDER



REF	PART #	QTY	DESCRIPTION	SEE SECTION
	62370	1	CYLINDER, MAIN BOOM - LOG LOADER	
1	(CALL)	1	BARREL	
2		8	ROD	
3		1	GLAND	
4		1	CUSHION SLEEVE	
5		1	FRONT PISTON	
6		1	BACK PISTON	
7		1	LOCKNUT	
8		2	BUSHING	
9		23	SHCS METRIC G12.9	
10		23	M16 FLAT WASHER	
11		2	SET SCREW	
12		2	STEEL BALL 6mm	
13		2	SET SCREW	
14		1	PRESSURE RELIEF w/ANTI CAV	
15		2	GREASE FITTING	
16		1	TEMPERATURE LABEL	
17		1	O-RING	
18		1	SNAP RING	
19		1	SNAP RING	
20		1	PLUG, RELIEF THREADED	
21		1	DISC SPRING	
22		8	DISC SPRING	
23		1	HIGH PRESSURE SPOOL	
24	(CALL)	1	SEAL KIT	

LOG LOADER SHOVEL BOOM ASSEMBLY AND INSTALLATION

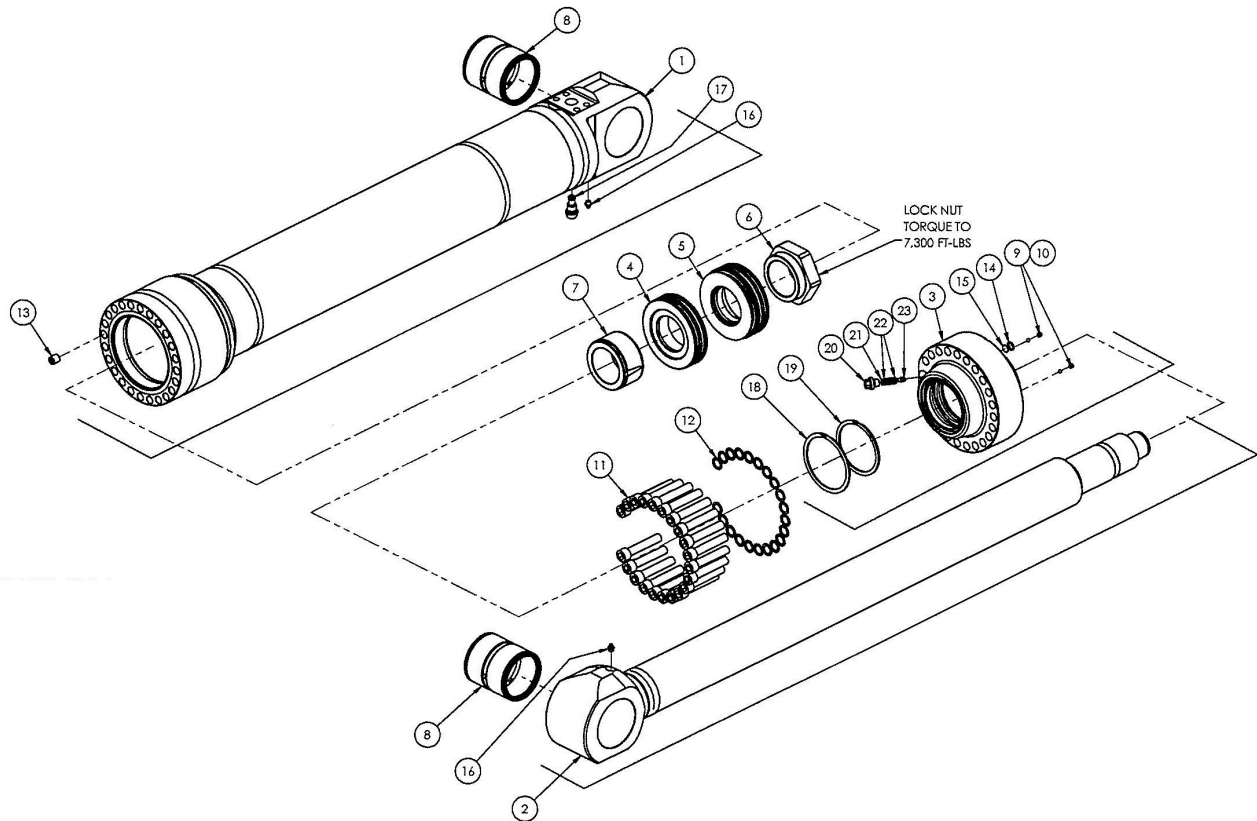
MILL YARD STICK BOOM CYLINDER



REF	PART #	QTY	DESCRIPTION	SEE SECTION
	62369	1	CYLINDER, STICK BOOM - LOG LOADER	
1	(CALL)	1	BARREL	
2		8	ROD	
3		1	GLAND	
4		1	CUSHION SLEEVE	
5		1	FRONT PISTON	
6		1	BACK PISTON	
7		1	LOCKNUT	
8		2	BUSHING	
9		23	SHCS METRIC G12.9	
10		23	M16 FLAT WASHER	
11		2	SET SCREW	
12		2	STEEL BALL 6mm	
13		2	SET SCREW	
14		1	PRESSURE RELIEF w/ANTI CAV	
15		2	GREASE FITTING	
16		1	TEMPERATURE LABEL	
17		1	O-RING	
18		1	SNAP RING	
19		1	SNAP RING	
20		1	PLUG, RELIEF THREADED	
21		1	DISC SPRING	
22		8	DISC SPRING	
23		1	HIGH PRESSURE SPOOL	
24	(CALL)	1	SEAL KIT	

LOG LOADER SHOVEL BOOM ASSEMBLY AND INSTALLATION

MILL YARD HEEL BOOM CYLINDER



REF	PART #	QTY	DESCRIPTION	SEE SECTION
	62295	1	CYLINDER, HEEL BOOM (150MM BORE - 40" ST	
1	(CALL)	1	BARREL	
2		8	ROD	
3		1	GLAND	
4		1	FRONT PISTON	
5		1	BACK PISTON	
6		1	LOCKNUT	
7		1	CUSHION SLEEVE	
8		2	BUSHING	
9		2	SET SCREW	
10		2	STEEL BALL	
11		21	SHCS METRIC G12.9	
12		21	M16 FLAT WASHER	
13		1	SET SCREW	
14		1	O-RING	
15		1	TEMPERATURE LABEL	
16		2	GREASE FITTING	
17		1	PRESSURE RELIEF w/ ANTI CAV	
18		1	SNAP RING	
19		1	SNAP RING	
20		1	PLUG, RELIEF THREADED	
21		1	DISC SPRING	
22		8	DISC SPRING	
23		1	HIGH PRESSURE SPOOL	
24	(CALL)	1	SEAL KIT	

PAGE INTENTIONALLY LEFT BLANK

