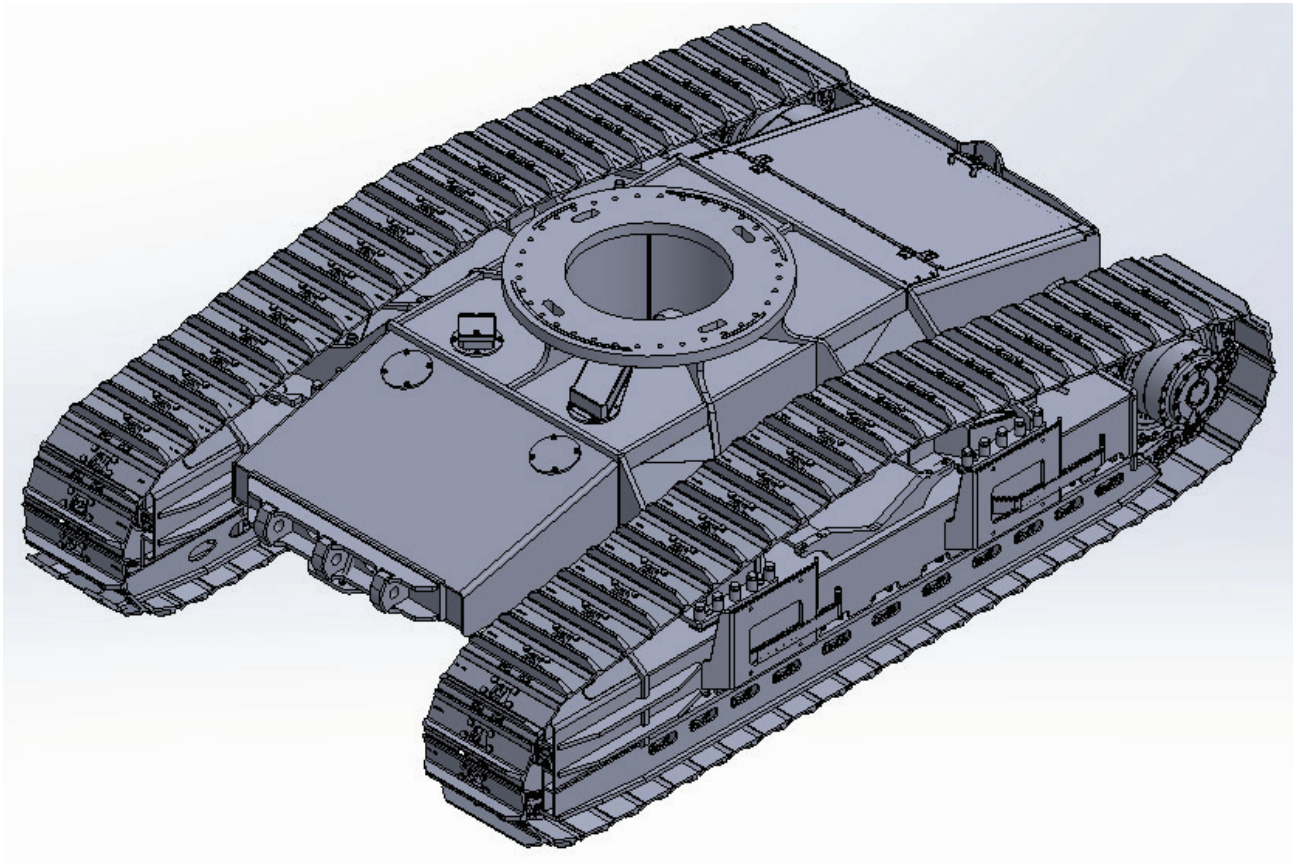


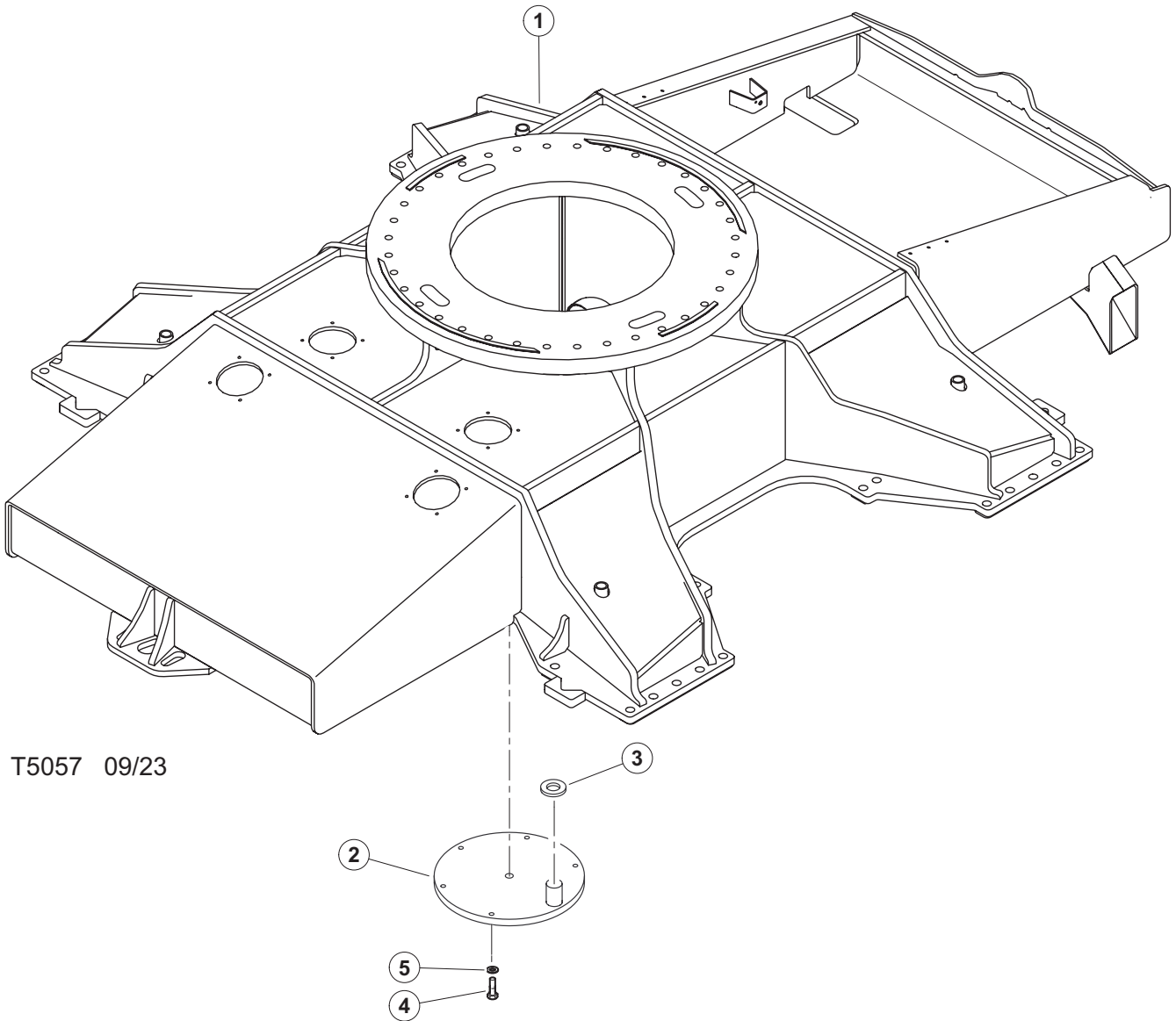
SECTION NV-1

NON-LEVELING CARBODY & TRACK FRAME



NON-LEVELING TRACK FRAMES

CARBODY AND ACCESS COVER INSTALLATION



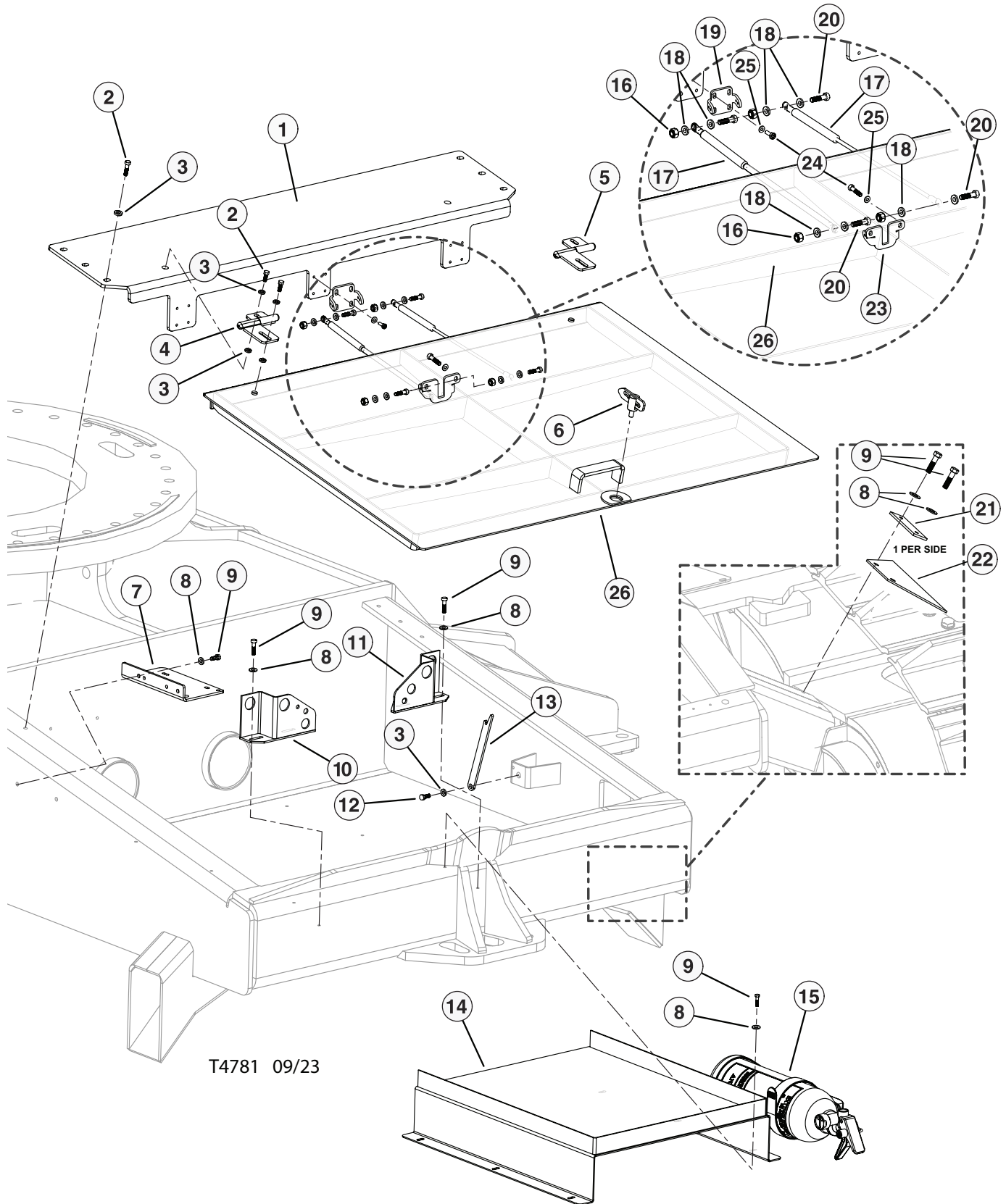
T5057 09/23

REF	PART #	QTY	DESCRIPTION	SEE SECTION
1	62180	1	CARBODY ASSEMBLY	
2	43739	1	PLATE, COVER BOTTOM 11'-2"	
3	12021	1	WASHER, BURNED	
4	15517	5	BOLT - .625" X 2.5"	
5	10805	5	WASHER, FLAT - .625"	

PAGE INTENTIONALLY LEFT BLANK

NON-LEVELING TRACK FRAMES

REAR TRUNK COMPONENT AND LID INSTALLATION



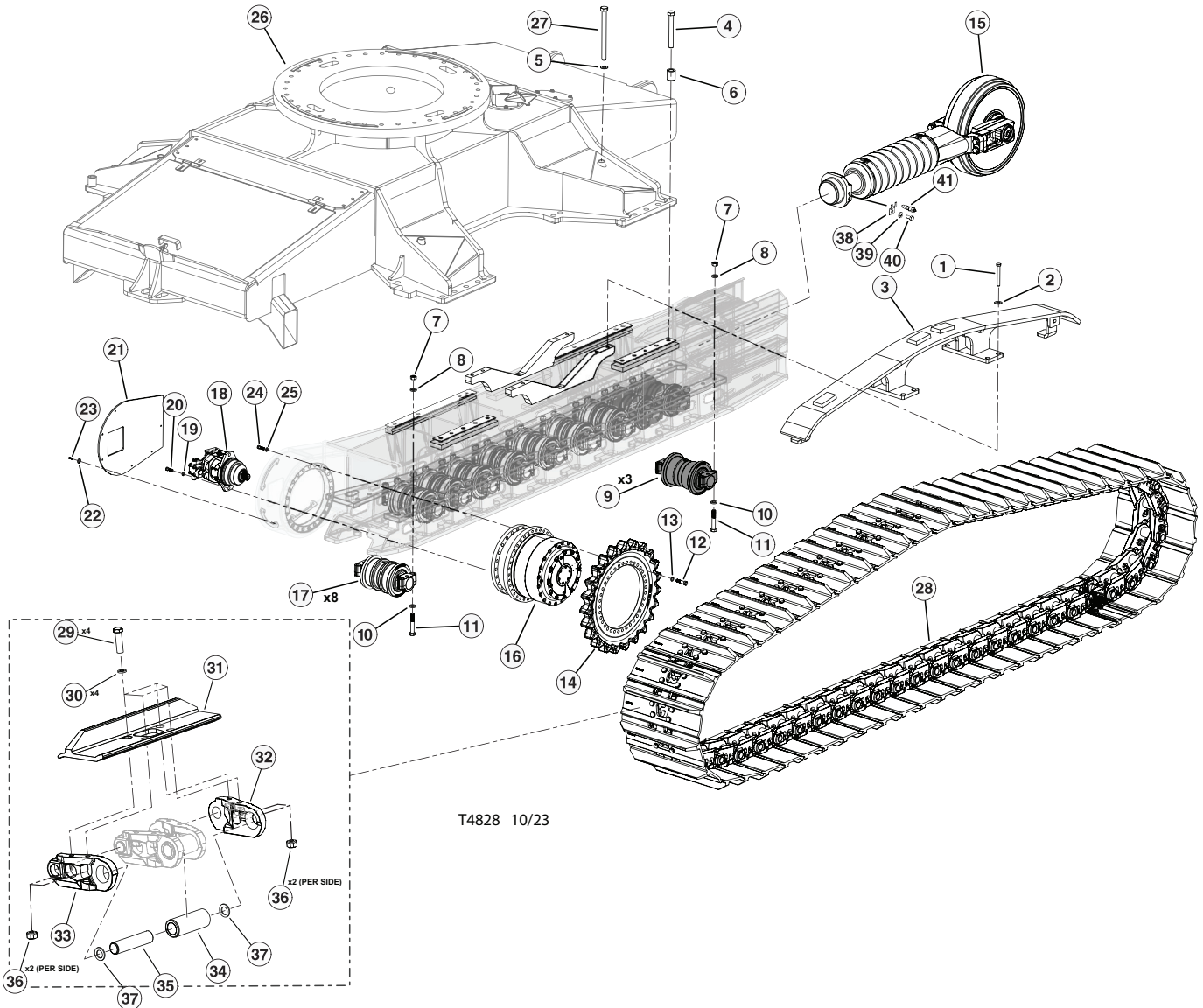
NON-LEVELING TRACK FRAMES

REAR TRUNK COMPONENT AND LID INSTALLATION

REF	PART #	QTY	DESCRIPTION	SEE SECTION
1	62268	1	WELDMENT, TRUNK LID EXTENSION - LOG LOAD	
2	51000	10	BOLT - .5" X 1.25"	
3	10804	11	WASHER, FLAT - .5"	
4	53584	1	HINGE, ASSEMBLY-T/M TRUNK L.H.	
5	53585	1	HINGE, ASSEMBLY-T/M TRUNK R.H.	
6	19771	1	LATCH, CAM - SHORT (PUMP GUARD)	
7	53197	1	MOUNT, FUEL COMPONENTS - LEV T/M	
8	10802	16	WASHER, FLAT - .375"	
9	11707	17	BOLT - .375" X 1.00"	
10	53762	1	BULKHEAD, TRACK HOSE L.H.	
11	53761	4	BULKHEAD, TRACK HOSE R.H.	
12	10739	1	BOLT - .5" X 1.5"	
13	54060	1	ROD, PROP - LEVELING TRUNK-CURRENT	
14	62611	1	WELDMENT, LL HOSE TRAY	
15	16222	1	FIRE EXTINGUISHER W/BRACKET - 10 LBS	
16	16117	4	NUT, HEX - 6MM	
17	57963	2	SHOCK, GAS - TRUNK LID (takes four 54108 cylinder ends)	
18	10800	8	WASHER, FLAT - .25"	
19	65326	1	BRACKET, TRUNK STRUT - LOWER	
20	58198	4	BOLT - 6MM-1.0P x 60MM	
21	20209	2	RETAINER, RUBBER STEP	
22	53622	2	BELTING, TRACK CHUTE COVER	
23	65327	1	BRACKET, TRUNK STRUT - UPPER	
24	15589	8	BOLT - .3125" X 1.00"	
25	10801	8	WASHER, FLAT - .3125"	
26	62271	1	TRUNK LID ASSY	

NON-LEVELING TRACK FRAMES

TRACK FRAME COMPONENTS & INSTALLATION



NON-LEVELING TRACK FRAMES

TRACK FRAME COMPONENTS & INSTALLATION

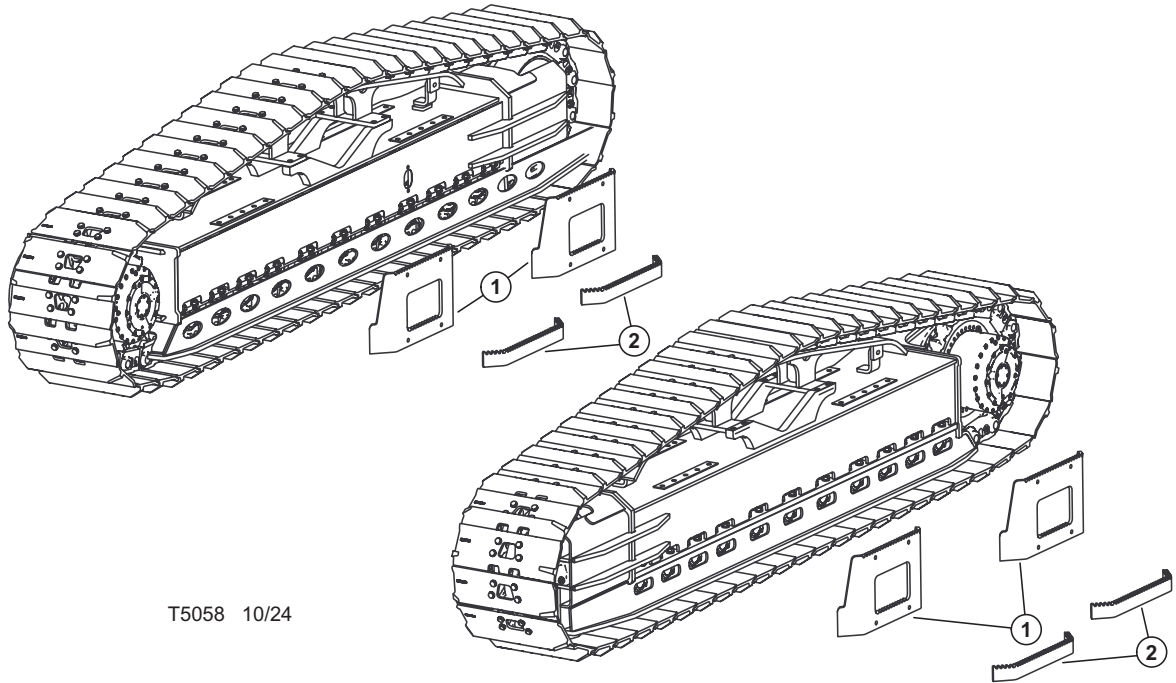
REF	PART #	QTY	DESCRIPTION	SEE SECTION
1	18525	16	BOLT - 20MM-2.5P X 50MM	
2	19926	16	WASHER, BOLT - ROLLER (330)	
3	47690	2	SLIDER, TRACK - TN745/765 11'-2"	
4	53139	32	BOLT - 30MM-3.5 X 140MM 12.9 (Torque to 1806 ft lbs - 2449 Nm)	
5	23211	4	WASHER, SAE FLAT - 1.125" (EXTRA THICK)	
6	12464	24	SPACER, BOLT - CARBODY	
7	(CALL)	44	NUT - M24X3 CLASS 12	
8	65470	44	WASHER, FLAT - 20MM	
9	58262	3	ROLLER, SINGLE FLANGE - BERCO (D7)	
10	65470	44	WASHER, FLAT - 20MM	
11	65185	44	BOLT - M24-3.0 X 140MM 10.9 HHCS	
12	(CALL)	72	BOLT - M18-1.5 X 75MM	
13	(CALL)	72	WASHER, FLAT - M18	
14	58265	2	SPROCKET, TRACK DRIVE - BERCO (D7)	
15	58264	2	IDLER, FRONT ASSY - BERCO (D7)	
16	58594	2	FINAL DRIVE GEARBOX - KOMATSU 785 LL	
17	58263	8	ROLLER, DOUBLE FLNAGE - BERCO (D7)	
18	58593	2	MOTOR, FINAL DRIVE 160CC - KOMATSU DRIVE	
19	24535	14	BOLT - 24MM (Torque to 660 ft lbs (900 Nm)) (see NOTE below)	
20	21383	4	BOLT - (Rexroth 16441363)	
21	62740	1	PLATE, DRIVE COVER (LH)	
	62735	1	PLATE, DRIVE COVER (RH)	
22	18735	7	WASHER, FLAT - 12MM	
23	18415	7	BOLT - 12MM-1.75P X 30MM	
24	24535	48	BOLT - 24MM (Torque to 660 ft lbs (900 Nm)) (see NOTE below)	
25	19926	48	WASHER - HARD 24MM	
26	62180	1	WELDMENT, TN HD, 11'11" - Carbody	
27	65294	4	BOLT - M30X365 - 931-12-9 (Torque to 1806 ft lbs - 2449 Nm)	
28	58607	2	TRACK, RAIL W/700 SG (54 LINK) D7G HD	
	(CALL)	1	TRACK CHAIN ASSEMBLY	
29	SI 878	216	BOLT, TRACK SHOE - M24 X 1.5 L = 72MM (Torque to 300 ft lbs (400 Nm))	
30	65295	216	WASHER, FLAT - M24, 25MM ID X 39MM OD	
31	(CALL)	54	SHOE, DOUBLE GROUSER - 700MM	
32	SI649A	54	LINK, TRACK - 330 (RH) (BERCO)	
33	SI650A	54	LINK, TRACK - 330 (LH) (BERCO)	
34	SI 877	53	TRACK BUSHING	
	SI 607	1	MASTER BUSHING	
35	SI 604	53	TRACK PIN	
	SI 876	1	TRACK PIN, MASTER (COMPLETE)	
	21457	2	PIN, TRACK - MASTER (330) (BERCO)	
36	SI 652	216	NUT, TRACK SHOE - M24 X 1.5	
37	(CALL)	106	POLYURETHANE SEAL	
38	58297	2	CLIP, RETAINER, TRACK TENSIONER (BERCO)	
39	58298	2	WASHER, TRACK TENSIONER (BERCO)	
40	58299	2	BOLT, TRACK TENSIONER (BERCO)	
41	58296	2	GREASE ZERT - TRACK TENSIONER (BERCO)	

NOTE:

USE LOCTITE 272 (BLUE / MEDIUM) DURING INSTALLATION

NON-LEVELING TRACK FRAMES

TRACK FRAME STEPS



T5058 10/24

REF	PART #	QTY	DESCRIPTION	SEE SECTION
1	62785	4	STEP, TRACK FRAME SIDE (WELD ON)	
2	TF-10041	4	STEP, TRACK FRAME SIDE (WELD ON)	

PAGE INTENTIONALLY LEFT BLANK

