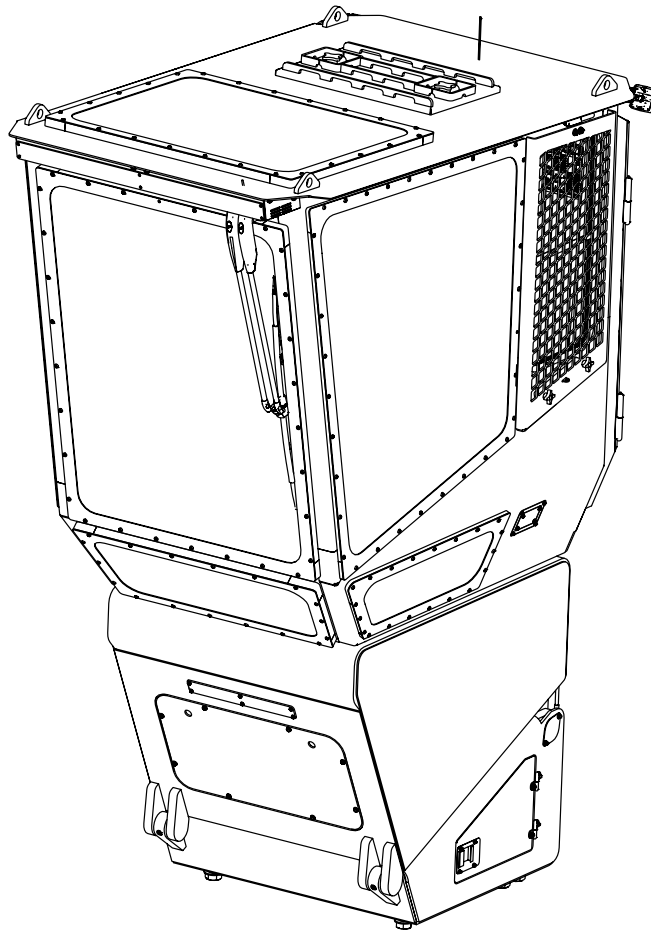


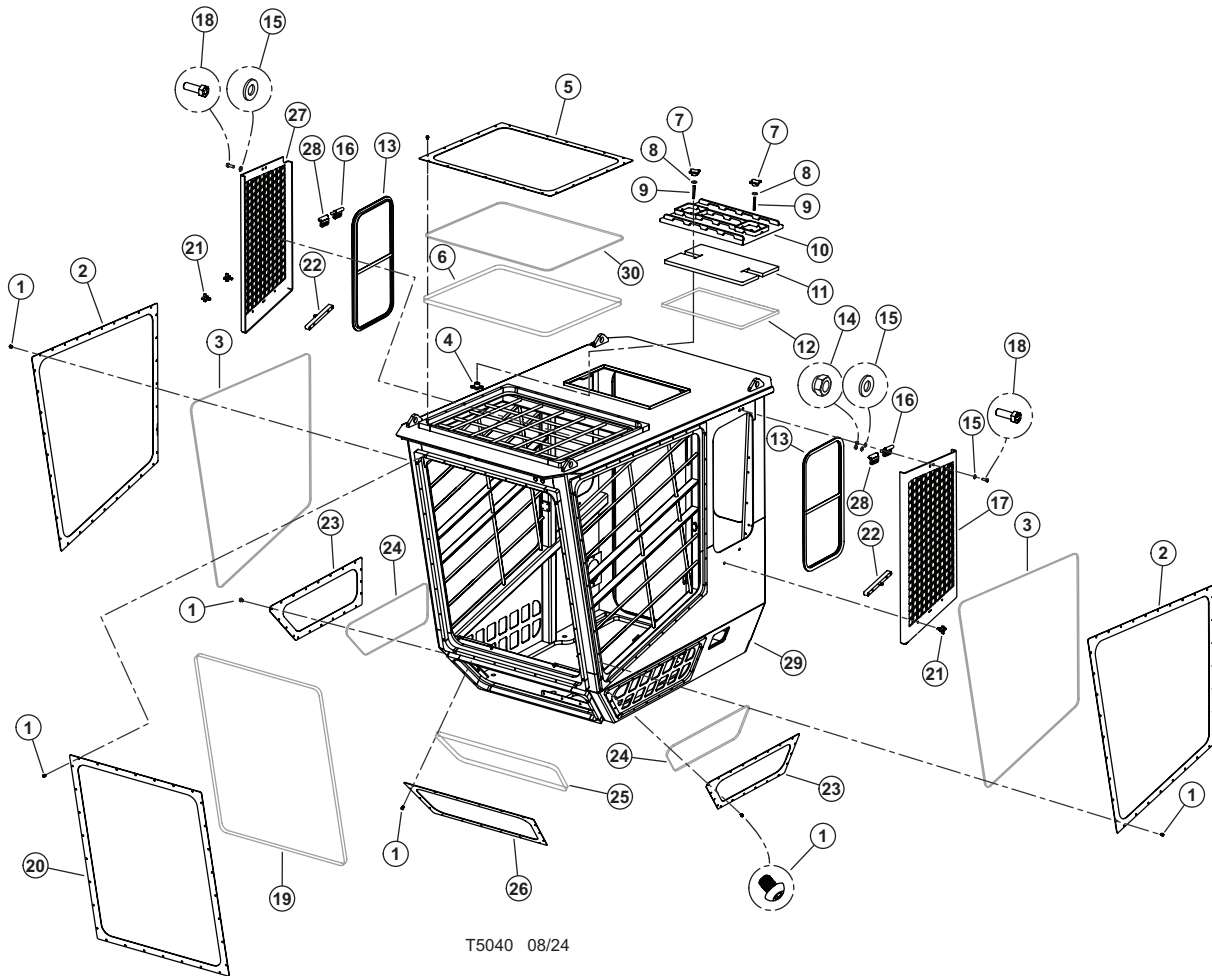
SECTION OC-1

OPERATOR CAB ASSEMBLY AND INSTALLATION



OPERATOR CAB

CAB WINDOW AND HATCH ACCESS PANEL ASSEMBLY AND INSTALLATION



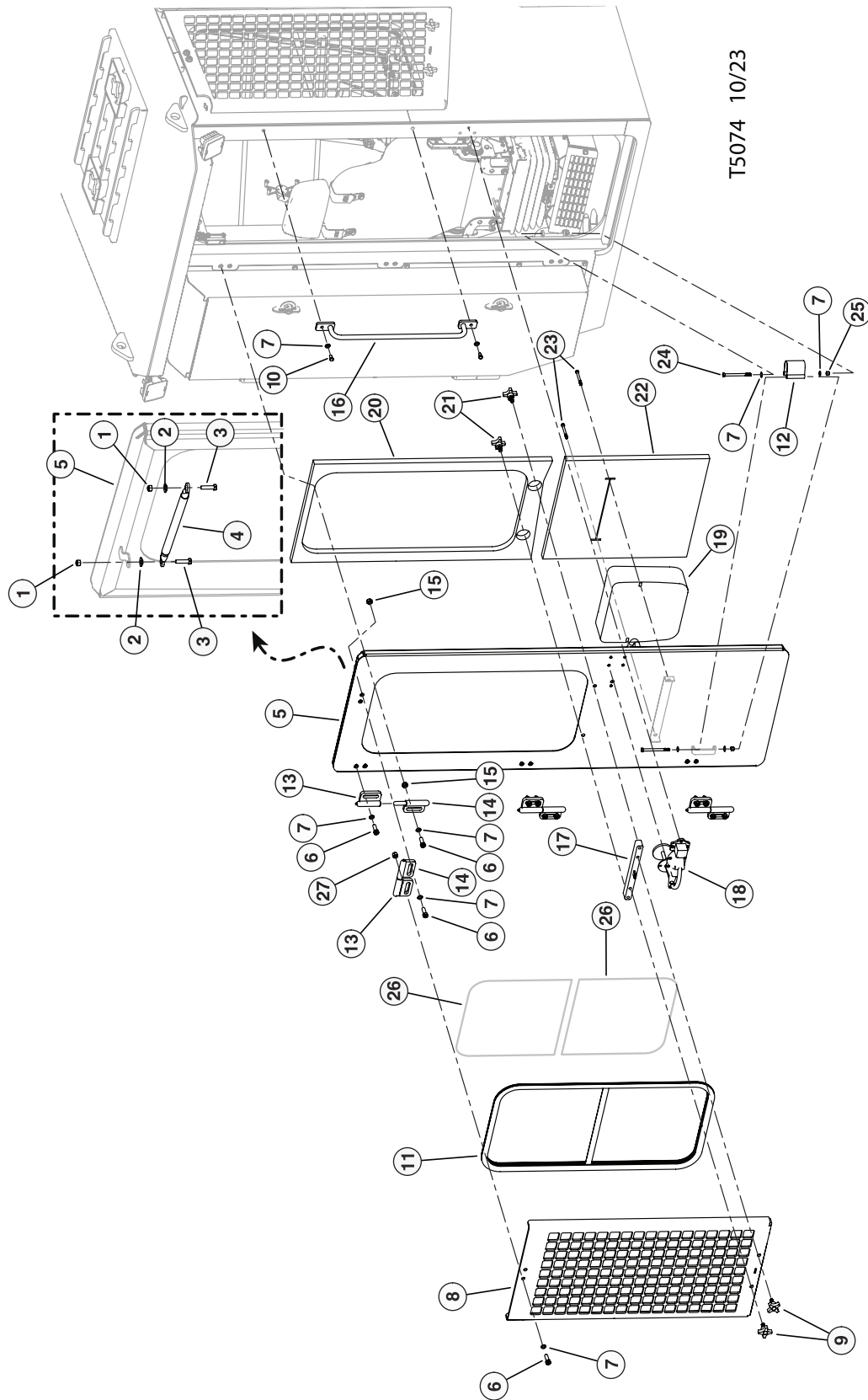
OPERATOR CAB

CAB WINDOW AND HATCH ACCESS PANEL ASSEMBLY AND INSTALLATION

REF	PART #	QTY	DESCRIPTION	SEE SECTION
1	20084	180	BOLT - .375" X 1 3/4	
2	63399	1	PLATE, WIN FRM - LOG LOADER	
3	63561	2	LEXON, WINDOW TOP SIIDE - LOG LOADER	
4	49511	2	KNOB. STAR	
5	63433	1	PLATE, WIN FRM, ROOF - LOG LOADER	
6	63565	1	LEXON, WINDOW SKYLIGHT - LOG LOADER	
7	49514	2	KNOB, STAR D CAB	
8	52066	2	O-RING, STAR KNOB - 1.25 ID X .139 -218	
9	49516	2	STUD, 2 WAY - D CAB	
10	49190	1	HATCH, ESCAPE TOP CAB - D SERIES	
11	49520	1	INSULATION KIT, LOG LOADER (Insulation Kit #63600)	
12	24925	1	CHANNEL, EDGE PROTECTOR - 3/16"BULB(STR)	
13	63383	2	WINDOW, SLIDING GLASS - LOG LOADER	
14	15533	4	NUT. NYLOCK - .5"	
15	15534	4	WASHER, SAE FLAT - .5"	
16	63510	2	WELDMENT, MALE HINGE -LL	
17	63358	1	PLATE, WIN GRD LH	
18	10739	4	BOLT - .5" X 1.5"	
19	63564	1	LEXON, WINDOW FRONT - LOG LOADER	
20	63395	1	PLATE, WIN FRAME - LOG LOADER	
21	58604	8	KNOB, WINDOW - LOG LOADER CAB	
22	63410	2	WELDMENT, WINDOW LOCK - LOG LOADER	
23	63391	2	PLATE, WIN FRM, SIDE BOT - LOG LOADER	
24	63562	2	LEXON, WINDOW BOT SIDE - LOG LOADER	
25	63563	1	LEXON, WINDOW BOT FRONT - LOG LOADER	
26	63434	1	PLATE, WIN FRM, FRT BOT - LOG LOADER	
27	63379	1	PLATE, WIN GRD RH - LOG LOADER	
28	63420	2	WELDMENT, FEMALE HINGE - LL	
29	63330	1	WELDMENT, CAB LOG LOADER	
30	61616	1	WINDOW, SKYLIGHT - SACRIFICIAL	
31	61636	1	PLATE, SKYLIGHT SPACER	
32	61635	1	PLATE, SKYLIGHT SPACER	

OPERATOR CAB

REAR ENTRY DOOR ASSEMBLY AND INSTALLATION



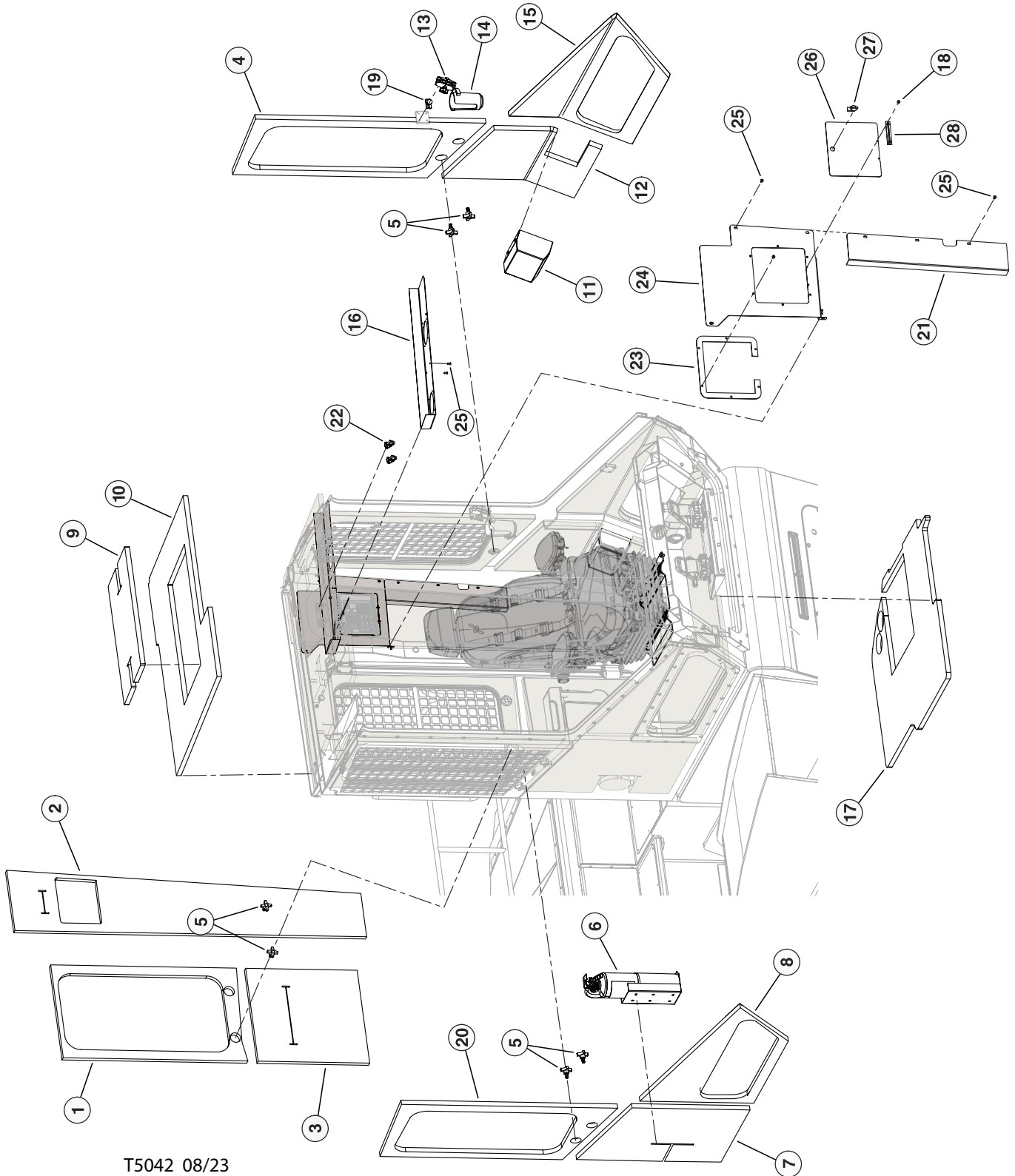
OPERATOR CAB

REAR ENTRY DOOR ASSEMBLY AND INSTALLATION

REF	PART #	QTY	DESCRIPTION	SEE SECTION
1	10788	2	NUT, NYLOCK - .3125"	
2	(CALL)	2	Shifter Bushing Cone	
3	10822	2	BOLT - .3125" X 1.25"	
4	55121	2	SHOCK, GAS - CAB DOOR	
5	63400	1	WELDMENT, DOOR - CAB LOG LOADER	
6	10739	20	BOLT - .5" X 1.5"	
7	15534	22	WASHER, SAE FLAT - .5"	
8	63389	1	PLATE, FRAME DOOR WINDOW - LOG LOADER	
9	58604	4	KNOB, WINDOW - LOG LOADER CAB	
10	10402	2	BOLT - .375" X 1.25"	
11	63383	1	WINDOW, SLIDING GLASS - LOG LOADER	
12	57855	1	STRAP, DOOR - D-SERIES CAB	
13	63510	3	WELDMENT, MALE HINGE -LL	
14	63420	3	WELDMENT, FEMALE HINGE - LL	
15	(CALL)	4	1/2" WELD NUT	
16	63540	1	WELDMENT, GRAB HANDLE - LOG LOADER	
17	63410	1	WELDMENT, WINDOW LOCK - LOG LOADER	
18	58605	1	LATCH, CAB DOOR - LOG LOADER	
19	63595	1	HOLDER, BINDER	
20	63620	1	INSULATION, CAB DOOR UPPER	
21	58604	4	KNOB, WINDOW - LOG LOADER CAB	
22	63601	1	INSULATION, CAB DOOR LOWER	
23	10825	2	BOLT - .3125" X 3.00"	
24	10753	2	BOLT - .375" X 4.5"	
27	15533	4	NUT, NYLOCK - .5"	
25	15507	2	NUT, NYLOCK - .375"	

OPERATOR CAB

CAB INSULATION, FLOOR MAT AND ATTRIBUTING COMONENTS INSTALLATION



T5042 08/23

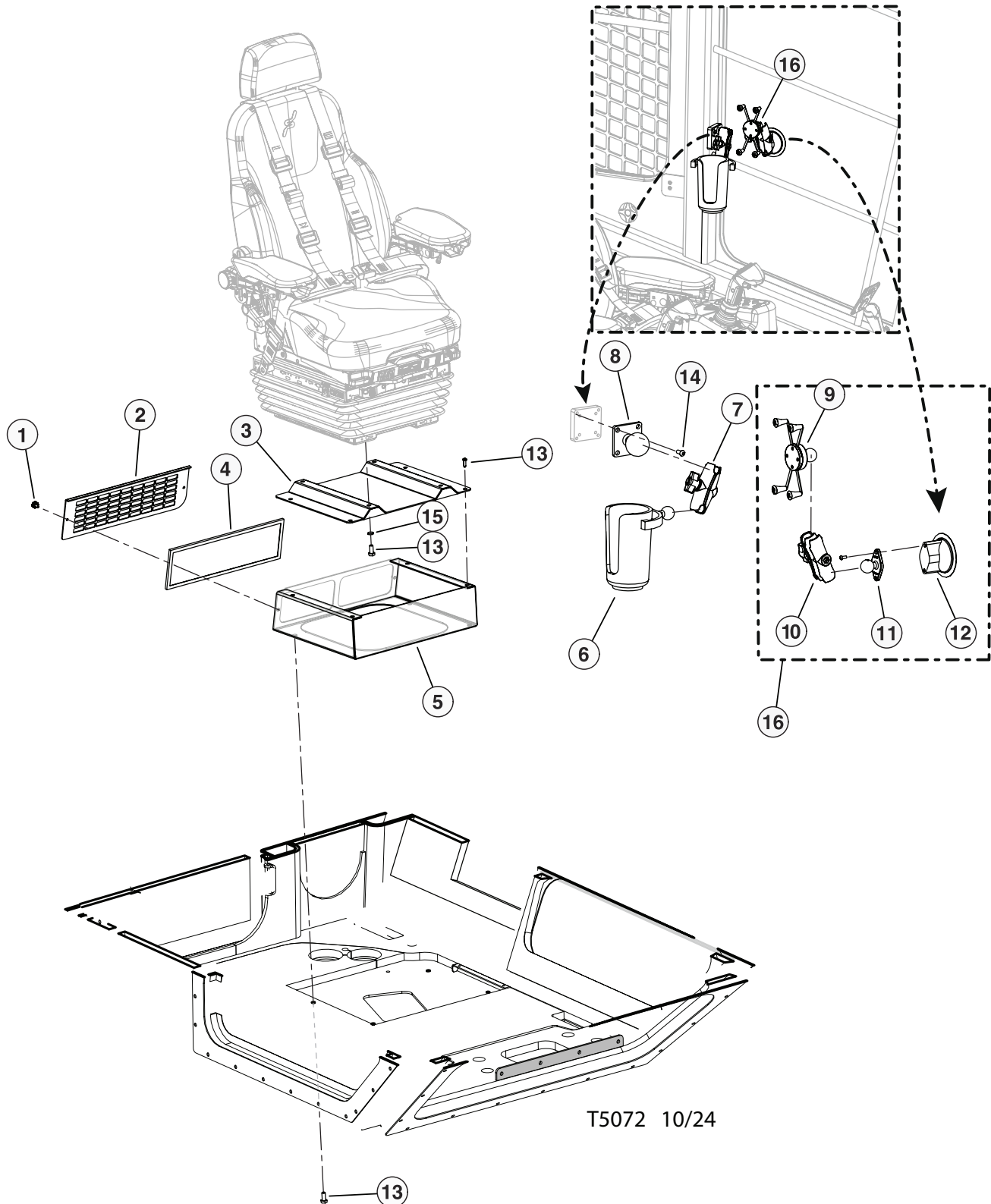
OPERATOR CAB

CAB INSULATION, FLOOR MAT AND ATTRIBUTING COMONENTS INSTALLATION

REF	PART #	QTY	DESCRIPTION	SEE SECTION
1	63620	1	Cab Entry Door Insulation, Upper	
2	63604	1	Cab Insulation, Rear	
3	63601	1	Cab Entry Door Insulation, Lower	
4	63599	1	FOAM, Cab Insulation, LH Side Upper	
5	58604	6	KNOB, WINDOW - LOG LOADER CAB	
6	16222	1	FIRE EXTINGUISHER W/BRACKET - 10 LBS	
7	63596	1	FOAM, Cab Insulation, L-Side Lower Rear	
8	63597	1	FOAM, Cab Insulation, L-Side Lower Forward	
9	49520	1	FOAM, ACOUSTIC ESCAPE HATCH - D CAB	
10	63605	1	FOAM, Cab Insulation, Roof	
11	63608	1	PLATE, LIGHT COVER - LOG LOADER	
12	63602	1	FOAM, Cab Insulation, R-Side Lower Rear	
13	63568	1	ARM, RAM MOUNT - RAM-B-201U	
14	63557	1	HOLDER, CUP BALL MOUNT, RAM-B-132BU	
15	63603	1	FOAM, Cab Insulation, R-Side Lower Forward	
16	63407	1	PLATE, SPEAKER MTG	
17	63594	1	FOAM, Cab Insulation, R-Side Lower Forward	
18	(CALL)	4	Fastener	
19	63567	1	BALL, RAM MOUNT - RAM-B-202U-12	
20	63598	1	FOAM, Cab Insulation, RH Side Upper	
21	63669	1	PLATE, WIRE HIDE	
22	59003	2	HOOK, COAT - LOG LOADER	
23	63662	1	PLATE, ACCESS	
24	63668	1	PLATE, WIRE HIDE	
25	(CALL)	11	Fastener	
26	63661	1	PLATE, ACCESS	
27	63664	1	LATCH, WING HANDLE	
28	63663	1	HINGE, ACCESS PLATE	

OPERATOR CAB

OPERATOR SEAT, FOOT PEDALS & MISC. COMPONENT INSTALLATION



T5072 10/24

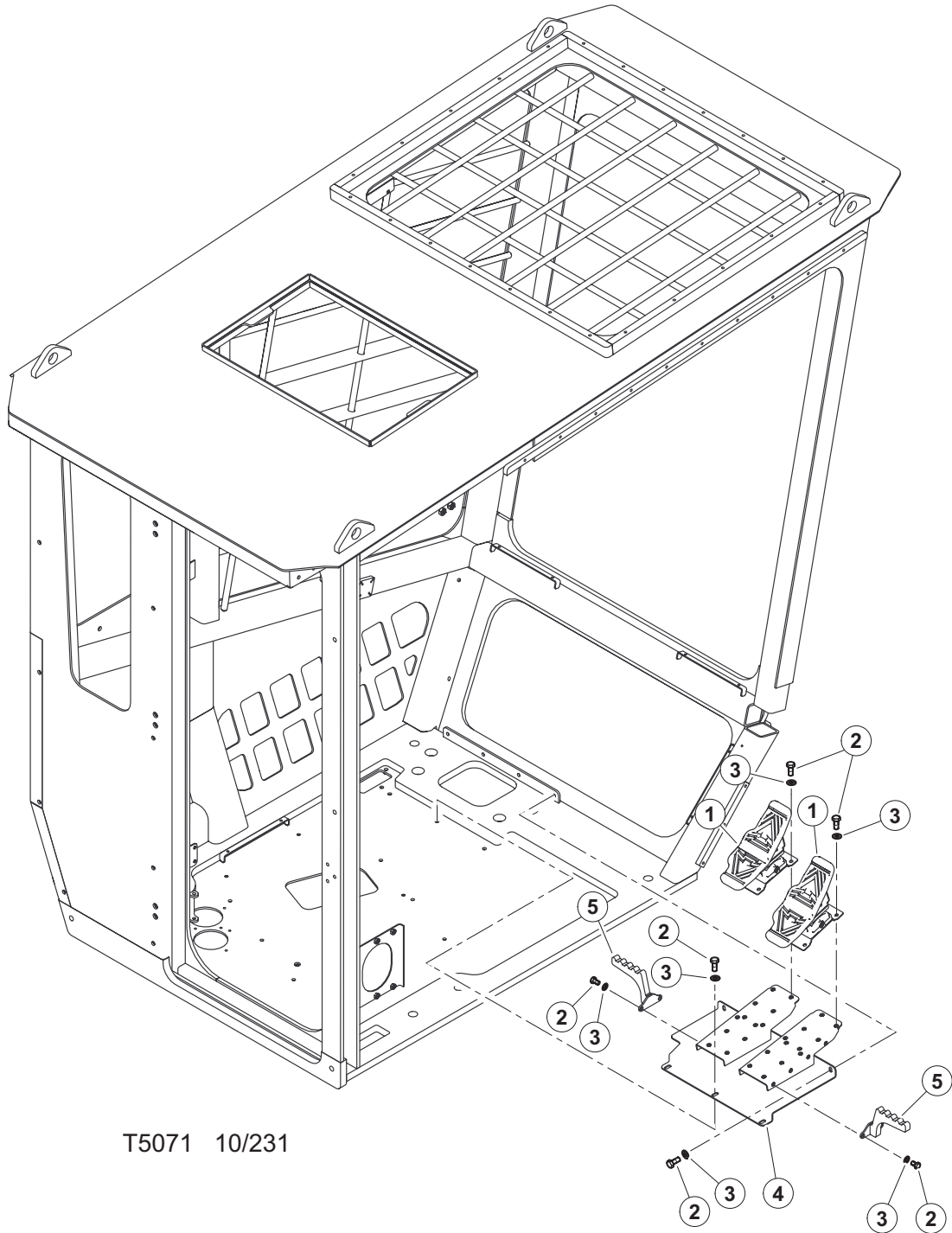
OPERATOR CAB

OPERATOR SEAT, FOOT PEDALS & MISC. COMPONENT INSTALLATION

REF	PART #	QTY	DESCRIPTION	SEE SECTION
1	15604	2	BOLT (BUTTON HEAD) - .25" X .75"	
2	63527	1	PLATE, FILTER GUARD - LOG LOADER	
3	63545	1	WELDMENT, SEAT MOUNT - LOG LOADER	
4	63621	1	FILTER	
5	63520	1	WELDMENT, SEAT BASE - LOG LOADER	
6	63557	1	HOLDER, CUP BALL MOUNT	
7	63568	1	ARM, RAM MOUNT	
8	55452	1	MOUNT, RAM - BASE - D SERIES	
9	(CALL)	1	Cel Phone Mount	
10	63568	1	ARM, RAM MOUNT	
11	63567	1	Cel Phone Ball Mt, "B" size RAM, 1.5	
12	(CALL)	1	Cel Phone Ball Mount	
13	15542	4	BOLT - .375" X .75"	
14	15604	4	BOLT (BUTTON HEAD) - .25" X .75"	
15	15528	4	WASHER - SAE FLAT - .375"	
16	57551	1	MOUNT, CELL PHONE - UNIVERSAL	

OPERATOR CAB

FOOT PEDAL INSTALLATION



T5071 10/231

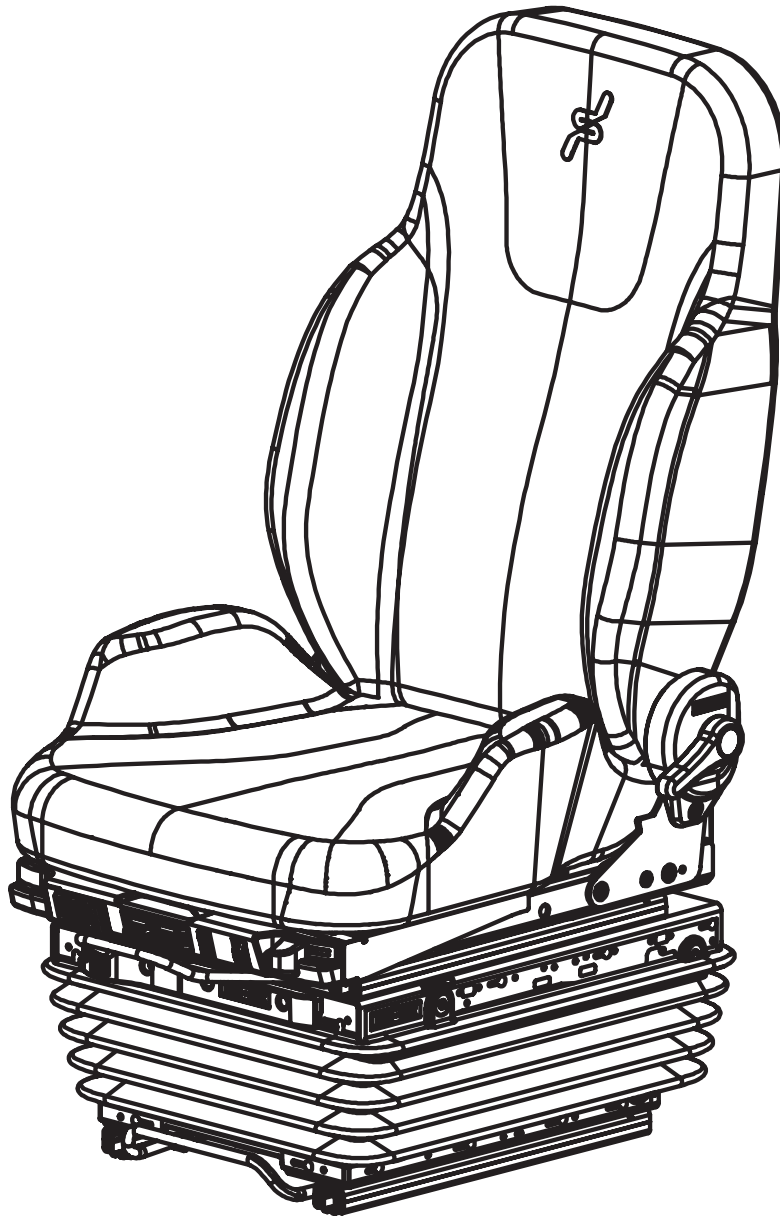
OPERATOR CAB

FOOT PEDAL INSTALLATION

REF	PART #	QTY	DESCRIPTION	SEE SECTION
1	57801	2	FOOT PEDAL "D" SERIES TRACK MACHINE	
2	15542	15	BOLT - .375" X .75"	
3	10802	15	WASHER, FLAT - .375"	
4	63320	1	WELD, FOOT PEDAL MT	
5	63210	2	WELD, FOOT PEG	

OPERATOR CAB

BE-GE SEAT BREAKDOWN



OPERATOR CAB

BE-GE SEAT BREAKDOWN

REF	PART #	QTY	DESCRIPTION	SEE SECTION
-	57840	1	SEAT ASSEMBLY (BE-GE) - (Heat / Air Ride)	



OPERATOR CAB

BE-GE SEAT BREAKDOWN - (3 PT. HARNESS)

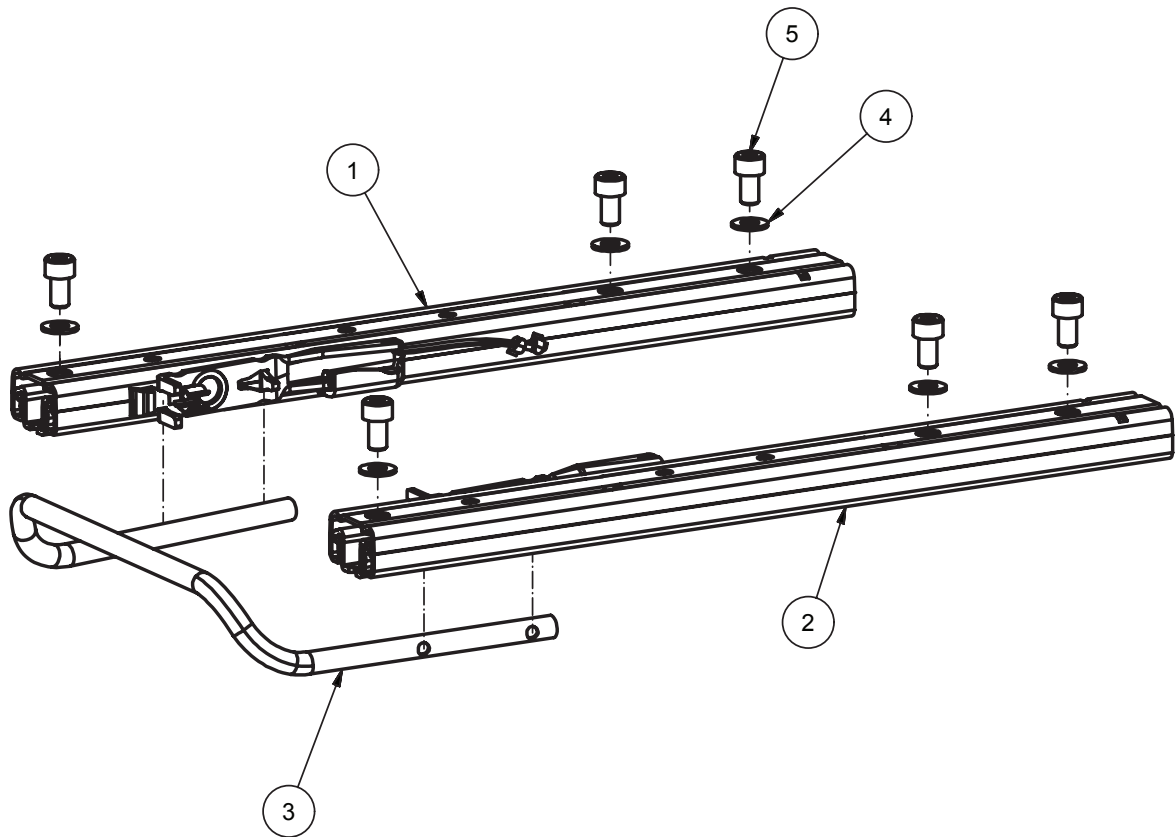


REF	PART #	QTY	DESCRIPTION	SEE SECTION
1	(CALL)	1	300MM EXTENDED 3PT HARNESS	

PAGE INTENTIONALLY LEFT BLANK

OPERATOR CAB

BE-GE SEAT BREAKDOWN - (SLIDE KIT) - (SEAT SERIAL # 170501 to 150204)



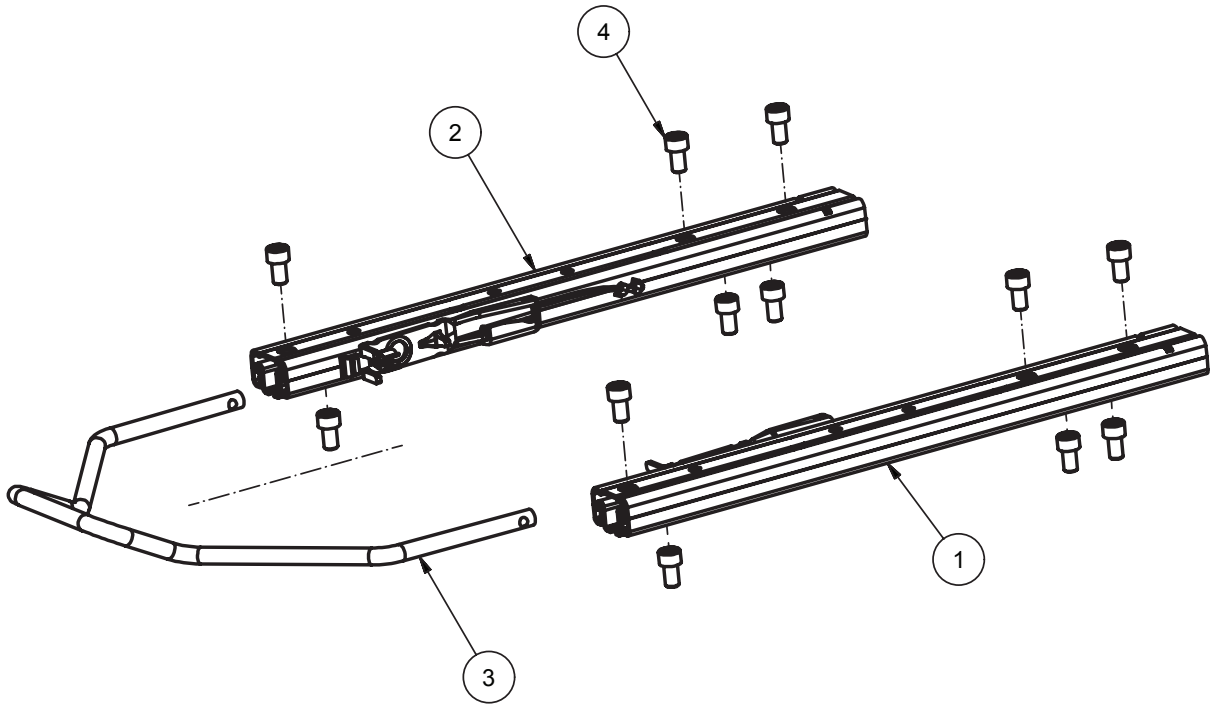
OPERATOR CAB

BE-GE SEAT BREAKDOWN - (SLIDE KIT) - (SEAT SERIAL # 170501 to 150204)

REF	PART #	QTY	DESCRIPTION	SEE SECTION
1	(CALL)	1	SLIDE - (RIGHT)	
2		1	SLIDE - (LEFT)	
3		1	HANDLE	
4		6	WASHER, FLAT - 8 X 16 X 1.5	
5	(CALL)	6	SCREW MC6S - M8 X 14	

OPERATOR CAB

BE-GE SEAT BREAKDOWN - (SLIDE KIT) - (SEAT SERIAL # 150205 -)



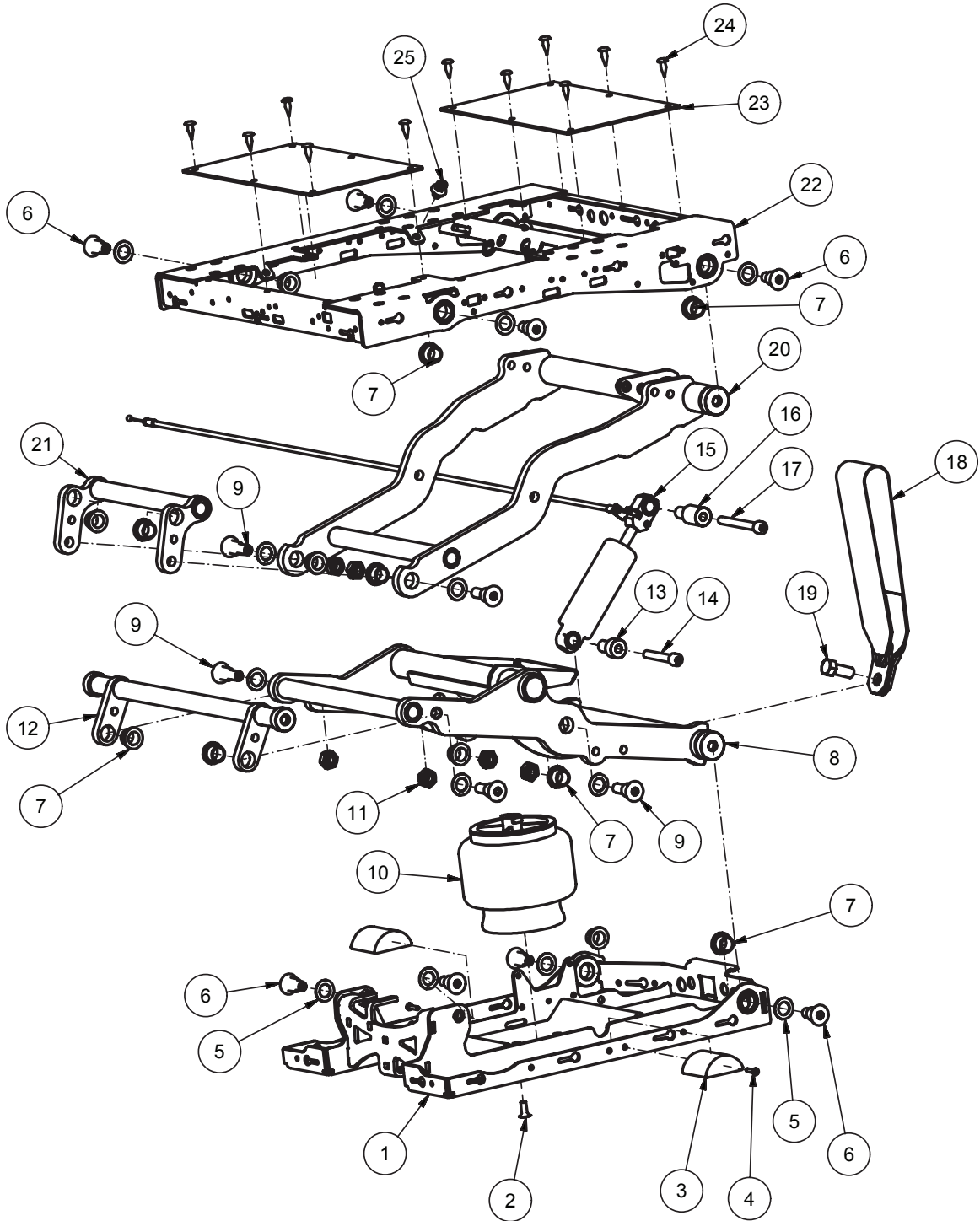
OPERATOR CAB

BE-GE SEAT BREAKDOWN - (SLIDE KIT) - (SEAT SERIAL # 150205 -)

REF	PART #	QTY	DESCRIPTION	SEE SECTION
1	(CALL)	1	SLIDE - (LEFT)	
2		1	SLIDE - (RIGHT)	
3		1	HANDLE	
4	(CALL)	6	SCREW MC6S - M8 X 14	

OPERATOR CAB

BE-GE SEAT BREAKDOWN - (SEAT BASE KIT) - (SEAT SERIAL # 170501 to 150204)



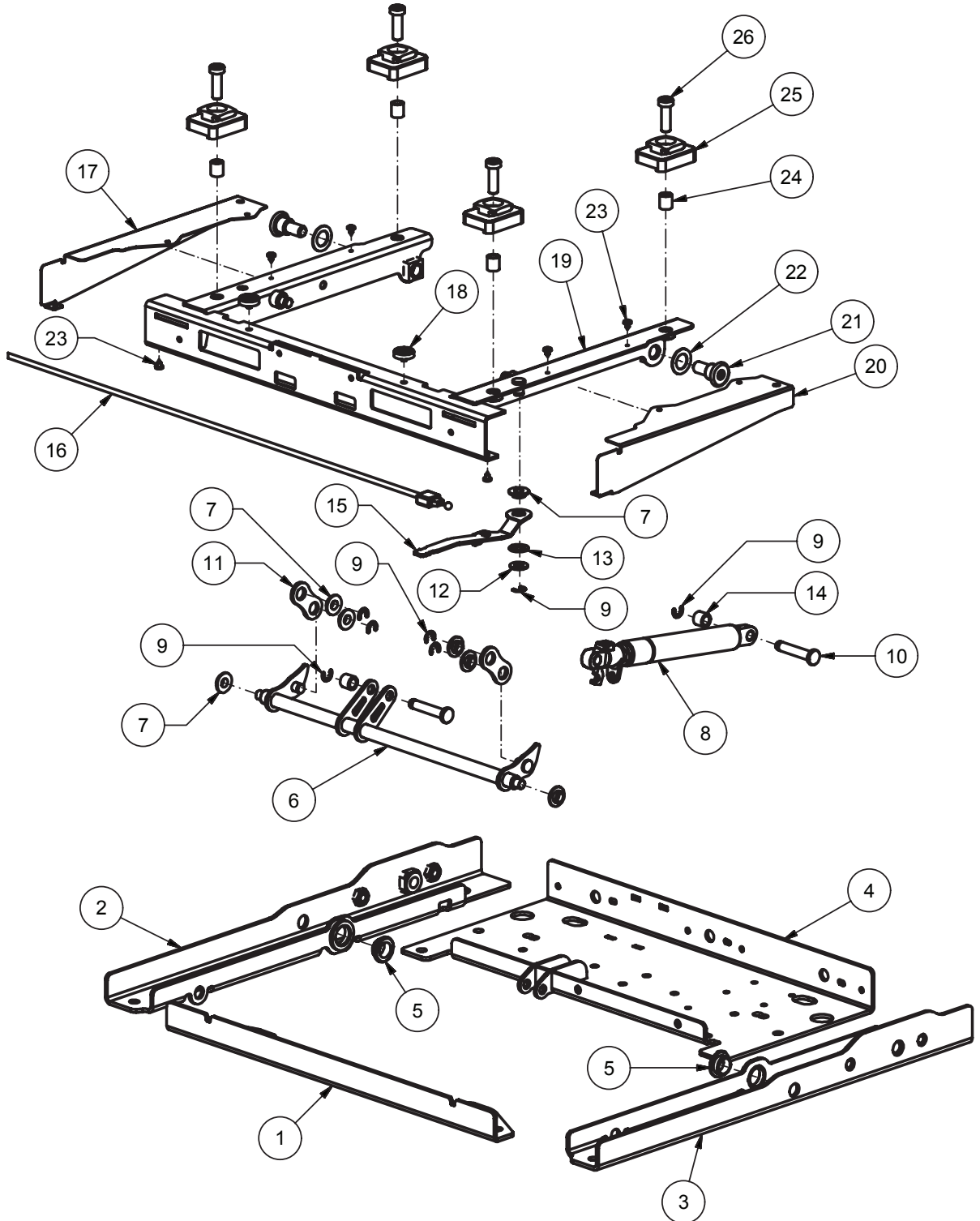
OPERATOR CAB

BE-GE SEAT BREAKDOWN - (SEAT BASE KIT)

REF	PART #	QTY	DESCRIPTION	SEE SECTION
1	(CALL)	1	BOTTOM FRAME	
2		1	SCREW MFT-TT - M6 X 16 (ISO 14581 ZN 8.8)	
3		2	RUBBER BBUMPER	
4		2	SCRCEW RXS - ST3.5 X 19	
5		14	PLASTIC WASHER	
6		8	BEARING BOLT	
7		14	PLASTIC BUSHING	
8		1	OUTER SCISSOR	
9		6	BEARING BOLT	
10		1	AIR SPRING	
11		6	NUT, LOCK - M10	
12		1	TORSION ARM UPPER	
13		1	SPACER, LOWER	
14		1	SCREW MC6S - M8 X 55	
15		1	SHOCK ABSORBER ASSY.	
16		1	SPACER, UPPER	
17		1	SCREW MC6S - M8 X 75	
18		1	CATCH BELT	
19		1	SCREW U6S - UNF 7/16 X 25	
20		1	INNER SCISSOR	
21		1	TORSION ARM, LOWER	
22		1	UPPER FRAME	
23		2	PLASTIC PROTECTION SHEET	
24		11	PLASTIC RIVET	
25	(CALL)	3	CLIP, CABLE TIE	

OPERATOR CAB

BE-GE SEAT BREAKDOWN - (SEAT BASE KIT) - (SEAT SERIAL # 150205 -)



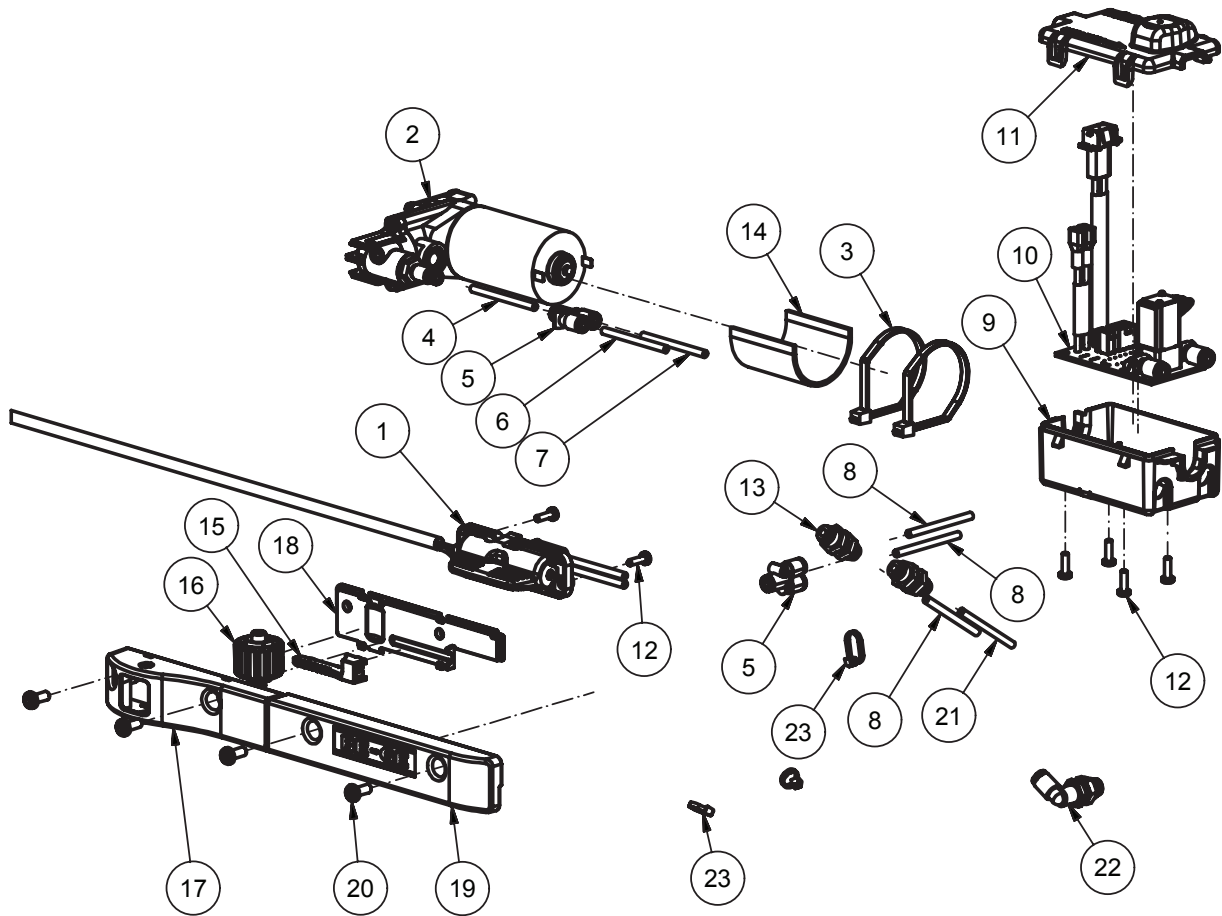
OPERATOR CAB

BE-GE SEAT BREAKDOWN - (SEAT BASE KIT) - (SEAT SERIAL # 150205 -)

REF	PART #	QTY	DESCRIPTION	SEE SECTION
1	(CALL)	1	FRONT CROSS PLATE	
2		1	RAIL RIGHT ASSY.	
3		1	RAIL LEFT ASSY.	
4		1	CROSS PLATE REAR ASSY.	
5		2	BUSHING	
6		1	CRANK ARM	
7		7	PLASTIC BUSHING	
8		1	GAS SPRING SRH	
9		7	RETAINING RING	
10		2	PIN	
11		2	LINK BELT	
12		1	WASHER NB - 8 X 16 X 1.5	
13		1	WASHER - 11 X 17 X 1	
14		2	SPACER - 8.2 X 12 X 10	
15		1	LEVER TILT	
16		1	CABLE TILT	
17		1	SIDE COVER - RIGHT	
18		2	SLIDE KNOB	
19		1	TILT FRAME	
20		1	SIDE COVER - LEFT	
21		2	BEARING BOLT - M10	
22		2	PLASTIC WASHER	
23		6	SCREW RTS - ST3.5 X 6.5	
24		4	SPACER	
25		4	SLIDE BLOCK	
26	(CALL)	4	SCREW MC6LS - M8 X 25	

OPERATOR CAB

BE-GE SEAT BREAKDOWN - (CONTROL KIT)



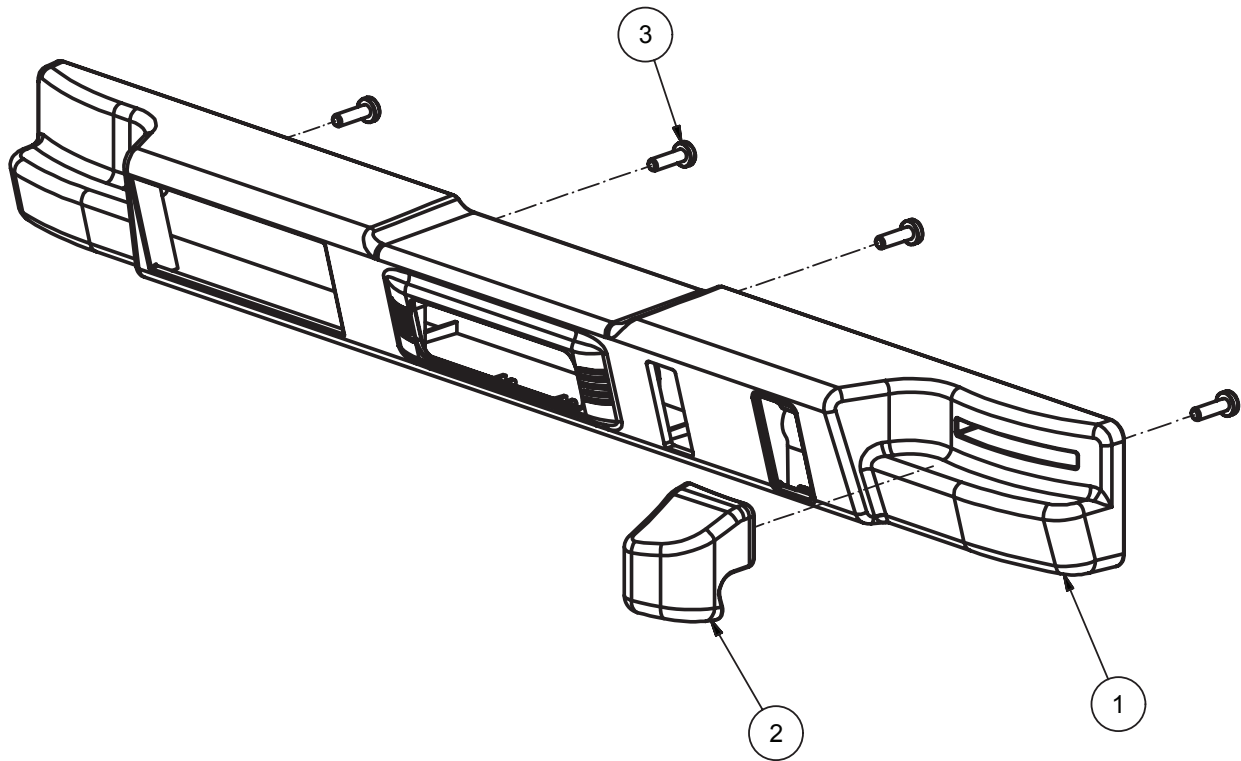
OPERATOR CAB

BE-GE SEAT BREAKDOWN - (CONTROL KIT)

REF	PART #	QTY	DESCRIPTION	SEE SECTION
1	(CALL)	1	HEIGHT CONTROLS ASSY.	
2		1	COMPRESSOR THOMAS - 24V	
3		2	CLAMP	
4		1	TUBE - 4 X 2.5, BLACK	
5		2	Y-CONNECTION	
6		1	TUBE - 4 X 2, RED	
7		1	TUBE - 4 X 2.5, RED	
8		3	TUBE - 4 X 2.5, GREEN	
9		1	BOX ELECTRONICS	
10		1	CONTROL UNIT	
11		1	COVER, BOX ELECTRONICS	
12		6	SCREW - M4 X 12	
13		2	BULKHEAD CONNECTOR	
14		1	RUBBER PATCH	
15		1	RACK	
16		1	ROLL DAMPER ADJ	
17		1	COVER, DAMPER CONTROLS	
18		1	COVER, BACK DAMPER CONTROLS	
19		1	COVER	
20		4	SCREW MRT-TT - M5 X 12	
21		1	TUBE - 4 X 2.5, BLACK	
22		1	ELBOW CONNECTION 4-4	
23	(CALL)	3	CABLE TIE	

OPERATOR CAB

BE-GE SEAT BREAKDOWN - (COVER KIT)



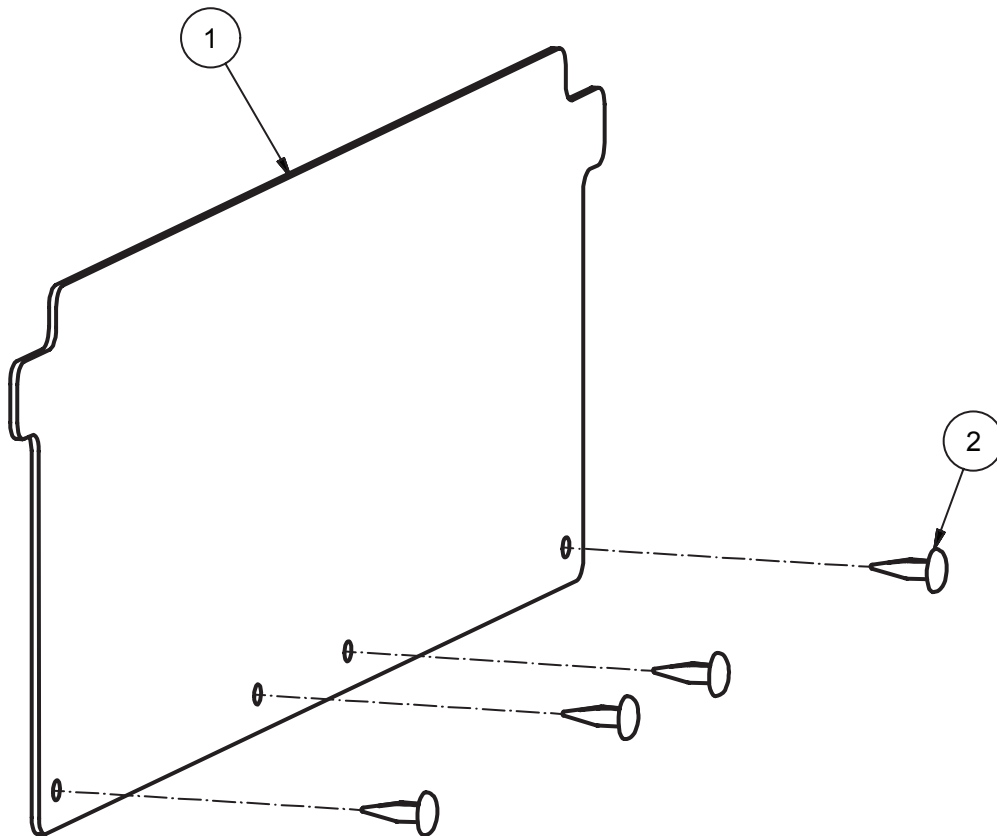
OPERATOR CAB

BE-GE SEAT BREAKDOWN - (COVER KIT)

REF	PART #	QTY	DESCRIPTION	SEE SECTION
1	(CALL)	1	COVER, FRONT	
2	(CALL)	1	KNOB, TILT LEVER	
3	(CALL)	4	SCREW WN 156-3 - M4 X 12	

OPERATOR CAB

BE-GE SEAT BREAKDOWN - (COVER KIT - BACK)



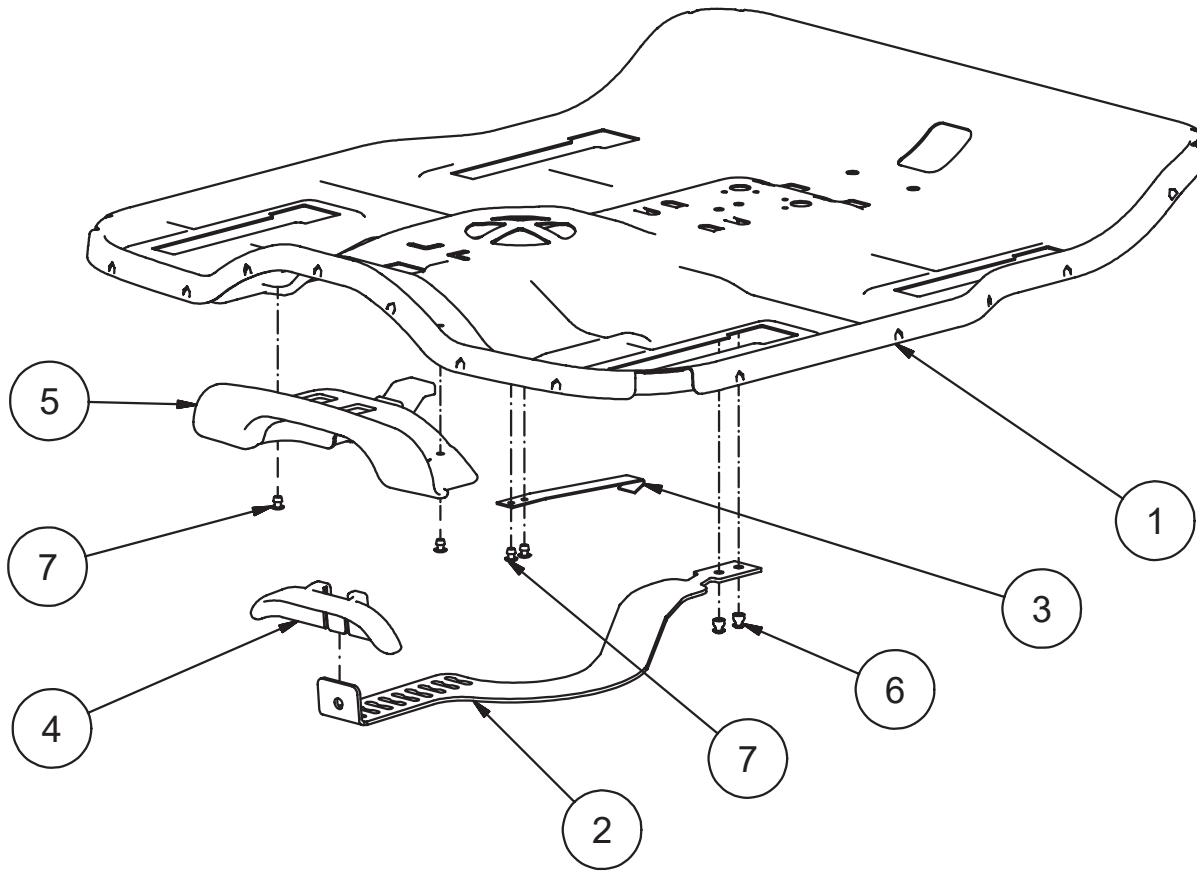
OPERATOR CAB

BE-GE SEAT BREAKDOWN - (COVER KIT - BACK)

REF	PART #	QTY	DESCRIPTION	SEE SECTION
1	(CALL)	1	COVER PLATE, BACK	
2	(CALL)	4	PLASTIC RIVET	

OPERATOR CAB

BE-GE SEAT BREAKDOWN - (SEAT PLATE KIT)



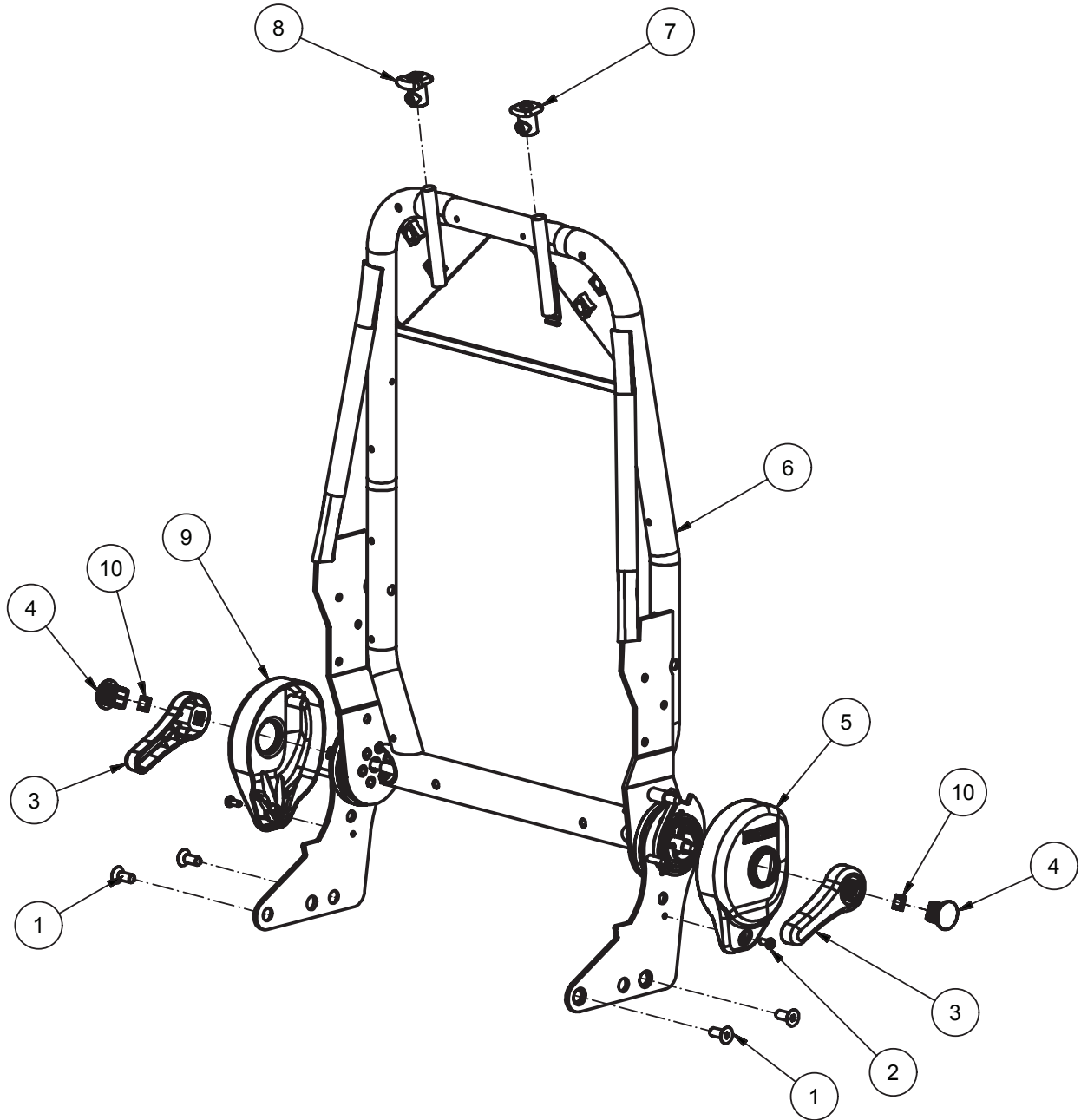
OPERATOR CAB

BE-GE SEAT BREAKDOWN - (SEAT PLATE KIT)

REF	PART #	QTY	DESCRIPTION	SEE SECTION
1	(CALL)	1	SEAT PLATE	
2		1	INDEXING BRACKET	
3		1	SPRING, STOP CUSHION ADJ.	
4		1	HANDLE, SEAT CUSHION ADJ.	
5		1	COVER, SEAT CUSHION ADJ.	
6		2	RIVET AL/ST - 4.8 X 9.5	
7	(CALL)	4	RIVET AL/ST - 3.2 X 6	

OPERATOR CAB

BE-GE SEAT BREAKDOWN - (BACKREST KIT)



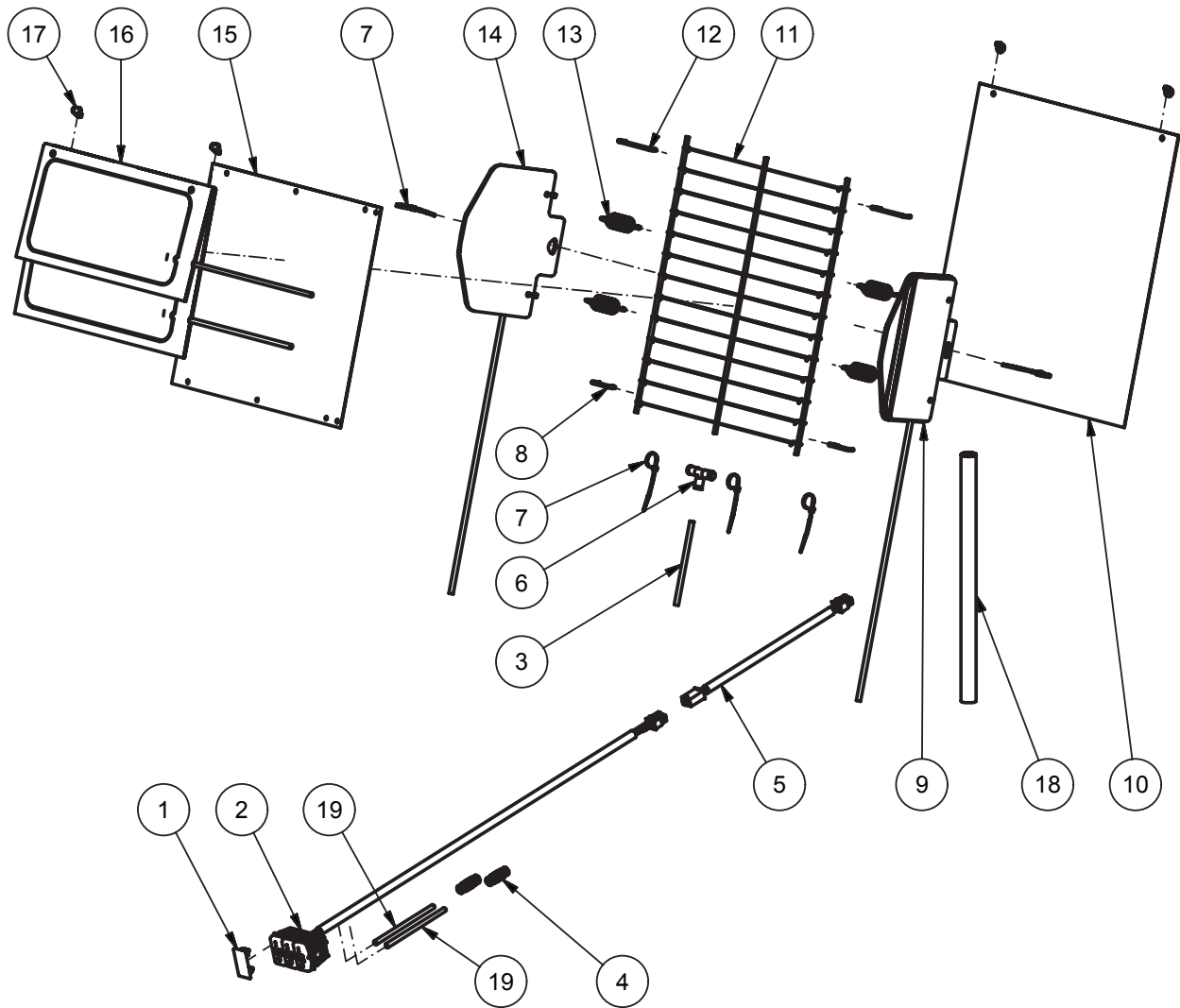
OPERATOR CAB

BE-GE SEAT BREAKDOWN - (BACKREST KIT)

REF	PART #	QTY	DESCRIPTION	SEE SECTION
1	(CALL)	4	SCREW MF6S - M8 X 20	
2		2	SCREW MRT-TT - M5 X 12	
3		2	GRIP	
4		2	CAP GRIP	
5		1	COVER, LEFT RECLINER	
6		1	BACKREST, LOW WELDED 3P	
7		1	HOUSING CPL	
8		1	HOUSING, LOCKABLE CPL	
9		1	COVER, RIGHT RECLINER	
10	(CALL)	2	CLIPS	

OPERATOR CAB

BE-GE SEAT BREAKDOWN - (BACKREST SUPPORT KIT XSS)



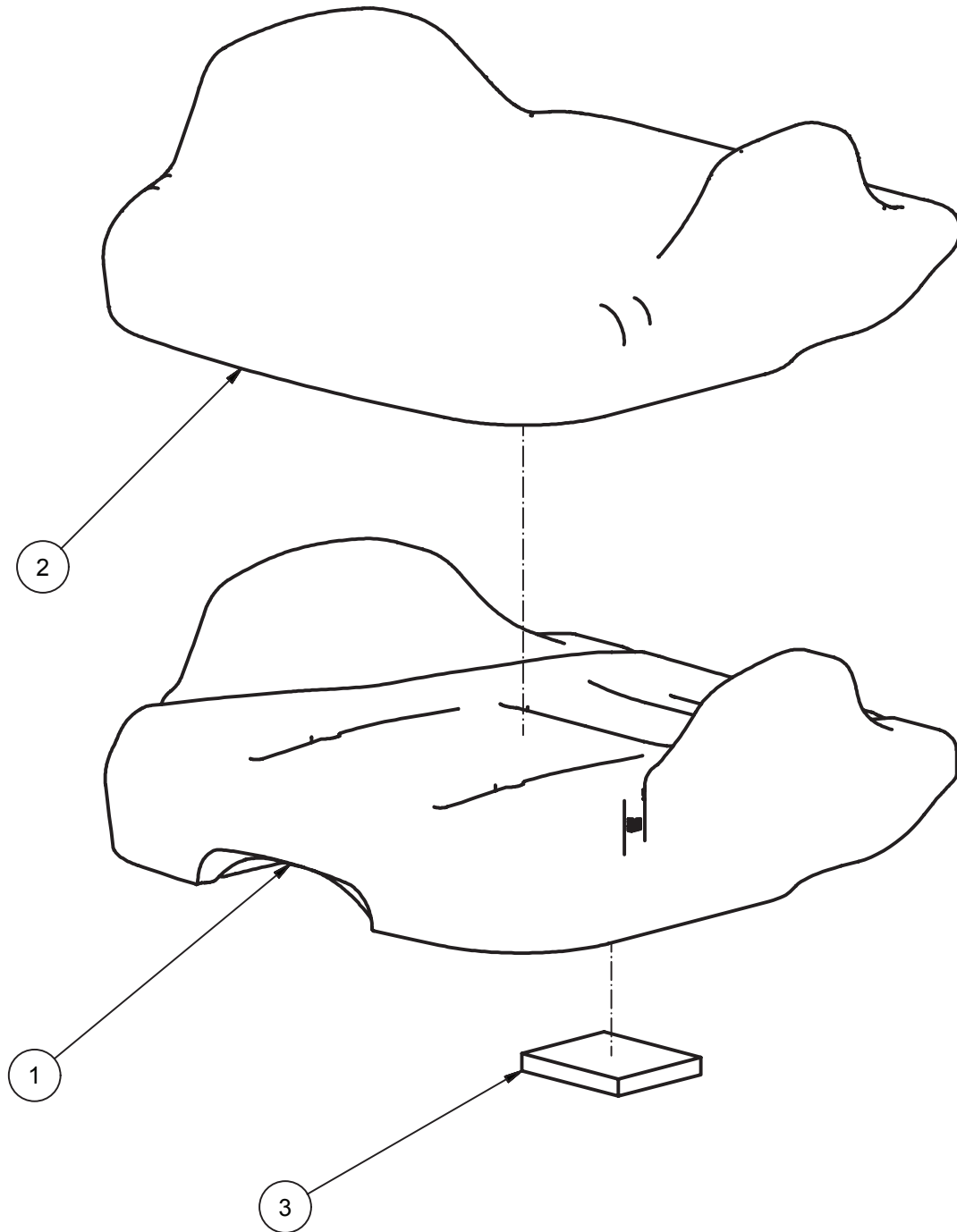
OPERATOR CAB

BE-GE SEAT BREAKDOWN - (BACKREST SUPPORT KIT XSS)

REF	PART #	QTY	DESCRIPTION	SEE SECTION
1	(CALL)	1	COVER, VALVE	
2		1	VALVE MICRO SWITCH, TRIPPLE	
3		1	TUBE - 5 X 3.1 (WHITE/PURPLE L=850)	
4		2	SLIP-IN CONNECTION - 5MM (STRAIGHT)	
5		1	CABLE EXTENSION, LUMBAR	
6		1	ONE TOUCH FITTING - 5MM (TEE)	
7		5	CABLE TIE	
8		2	HITCH	
9		1	SIDE SUPPORT XSS (LEFT)	
10		1	COVER, BACKREST	
11		1	PULLMAFLEX MAT (STRAIGHT)	
12		2	UPPER LINK	
13		4	SPRING	
14		1	SIDE SUPPORT XSS (RIGHT)	
15		1	PLASTIC PLATE	
16		1	BLADDER, LUMBAR SUPPORT	
17		4	CABLE TIE	
18		1	BRAIDED SLEEVING	
19	(CALL)	2	TUBE - 5 X 3.1 (WHITE/PIRPLE L=400)	

OPERATOR CAB

BE-GE SEAT BREAKDOWN - (TRIM KIT - SEAT)



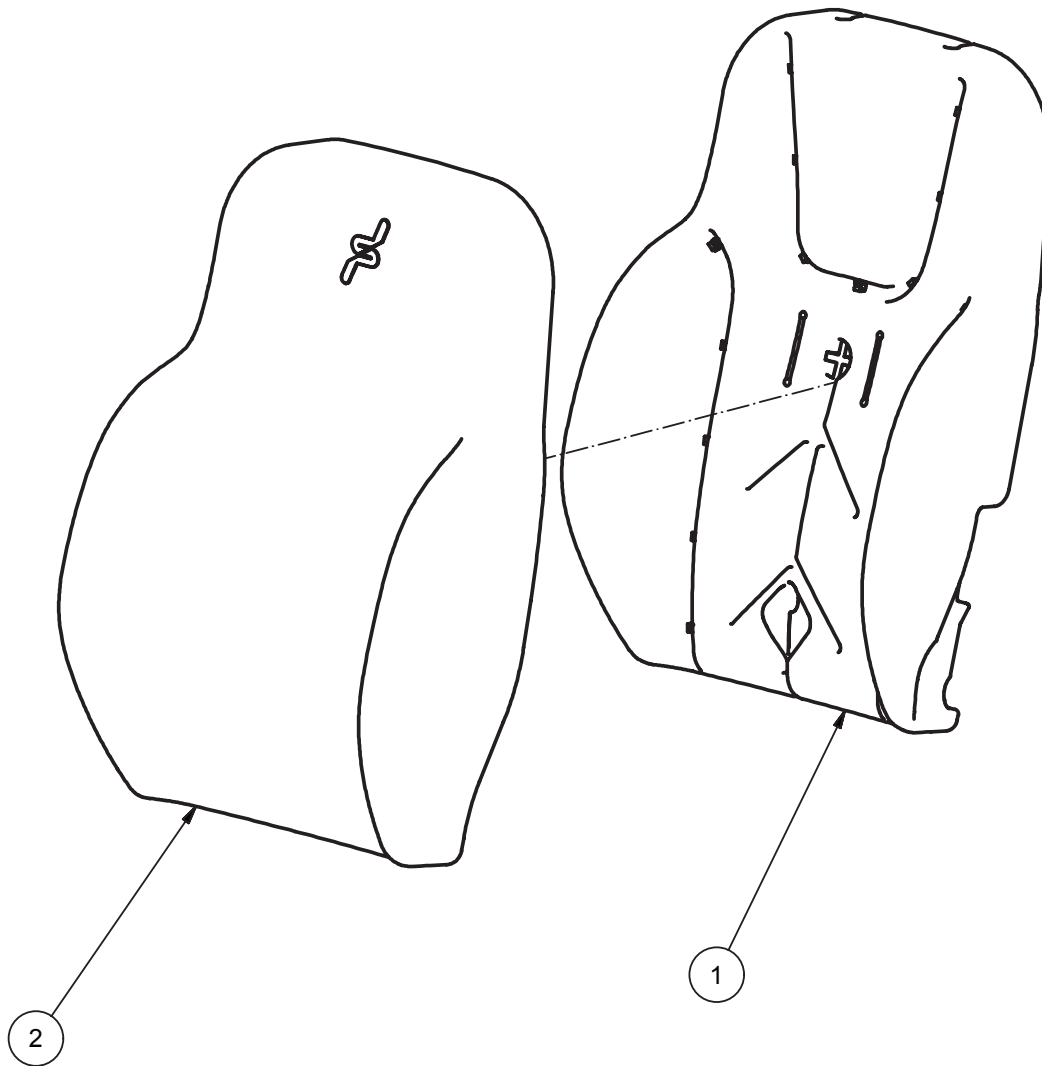
OPERATOR CAB

BE-GE SEAT BREAKDOWN - (TRIM KIT - SEAT)

REF	PART #	QTY	DESCRIPTION	SEE SECTION
1	(CALL)	1	SEAT FOAM XSS	
2	(CALL)	1	TRIM SEAT XSS	
3	(CALL)	1	FOAM PLUG SEAT	

OPERATOR CAB

BE-GE SEAT BREAKDOWN - (TRIM KIT - BACKREST)



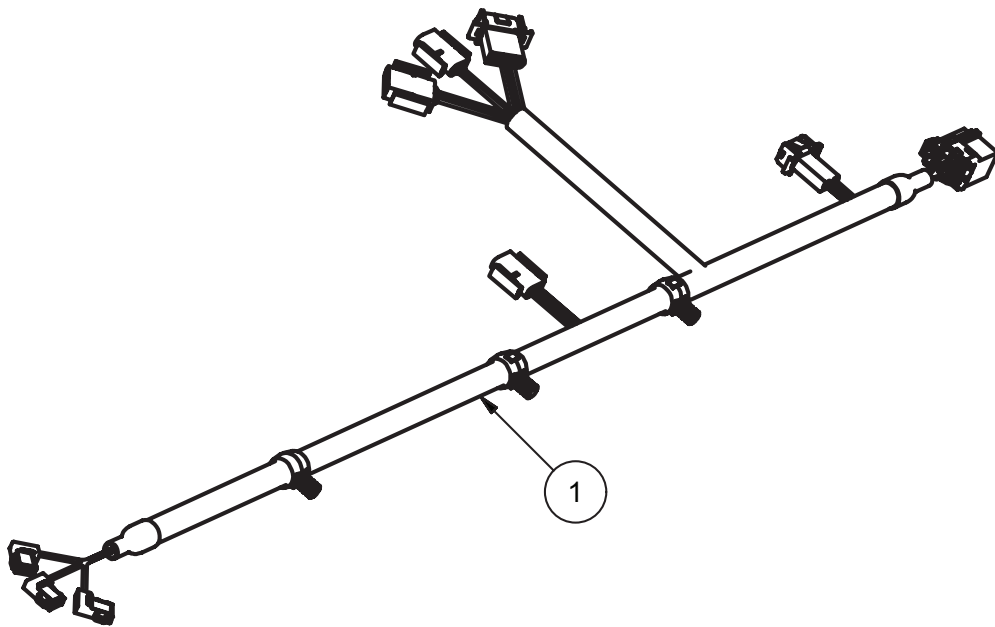
OPERATOR CAB

BE-GE SEAT BREAKDOWN - (TRIM KIT - BACKREST)

REF	PART #	QTY	DESCRIPTION	SEE SECTION
1	(CALL)	1	BACKREST FOAM, LOW - XSS	
2	(CALL)	1	TRIM, BACKREST - 640 XSS	

OPERATOR CAB

BE-GE SEAT BREAKDOWN - (CABLE HARNESS KIT)



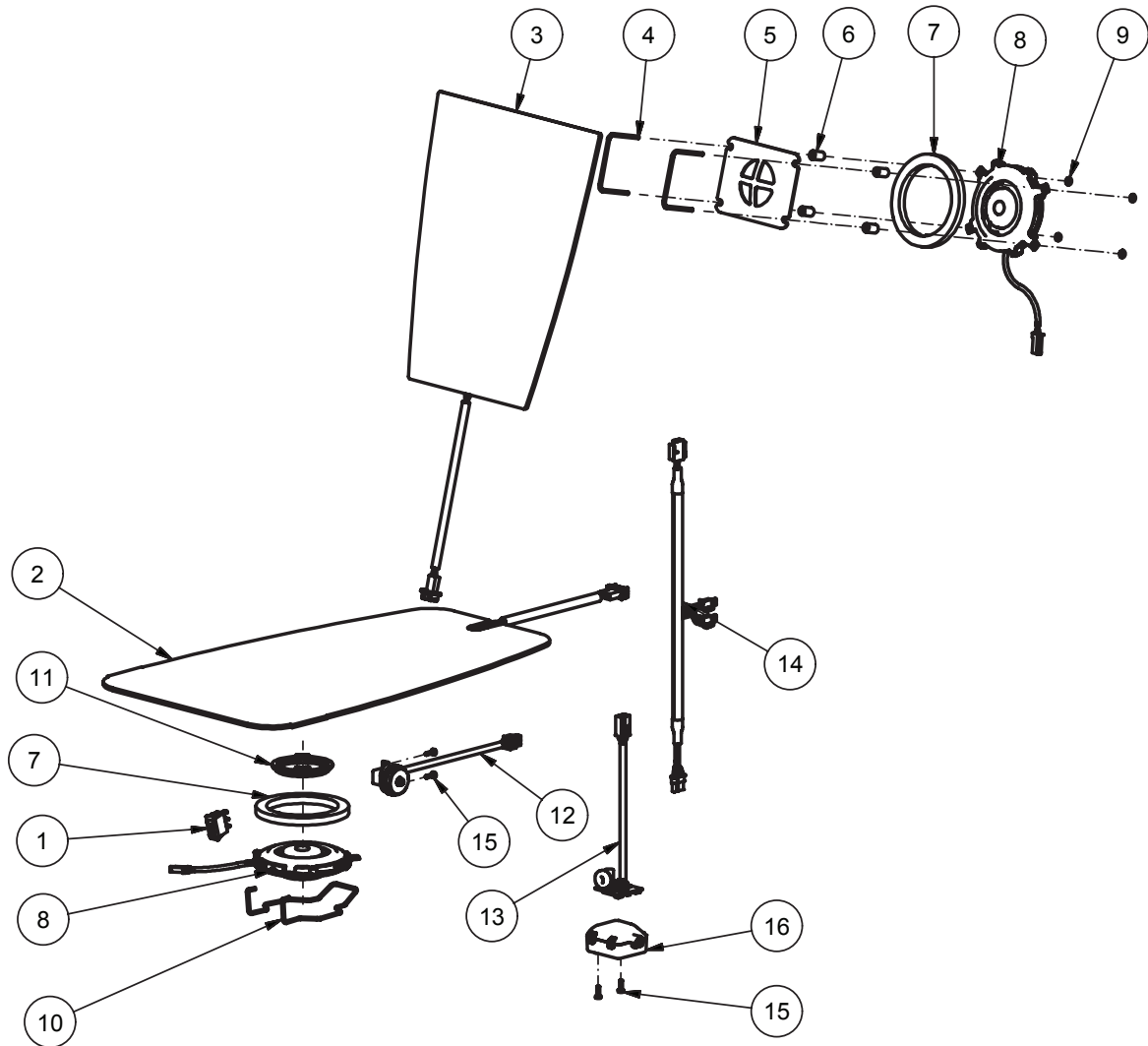
OPERATOR CAB

BE-GE SEAT BREAKDOWN - (CABLE HARNESS KIT)

REF	PART #	QTY	DESCRIPTION	SEE SECTION
1	(CALL)	1	CABLE HARNESS	

OPERATOR CAB

BE-GE SEAT BREAKDOWN - (AIRVENT KIT)



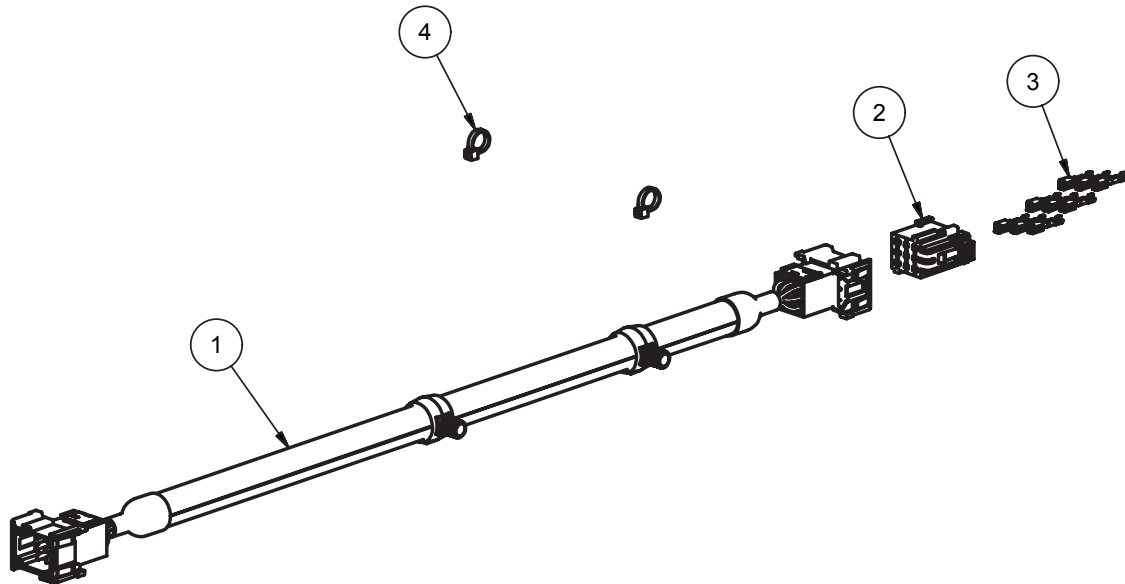
OPERATOR CAB

BE-GE SEAT BREAKDOWN - (AIRVENT KIT)

REF	PART #	QTY	DESCRIPTION	SEE SECTION
1	(CALL)	1	SWITCH	
2		1	SEAT HEATER - (CUSHION)	
3		1	SEAT HEATER - (SQUAB)	
4		2	YOKE	
5		1	PROTECTIVE PLATE	
6		4	SPACER - 5 X 10 X 16	
7		2	SEAL - 100 X 75 X 9	
8		2	FAN 3000 - 24V	
9		4	WASHER A-LOCK - 3 X 9.5	
10		1	YOKE	
11		1	CENTERING RING	
12		1	HAND WHEEL ADJUST.	
13		1	FAN ADJUSTMENT - 24V	
14		1	CABLE HARNESS AIRVENT	
15		4	SCREW WN 156-3 - M4 X 12	
16		(CALL)	1	BOX AIRVENT

OPERATOR CAB

BE-GE SEAT BREAKDOWN - (CABLE HARNESS KIT)



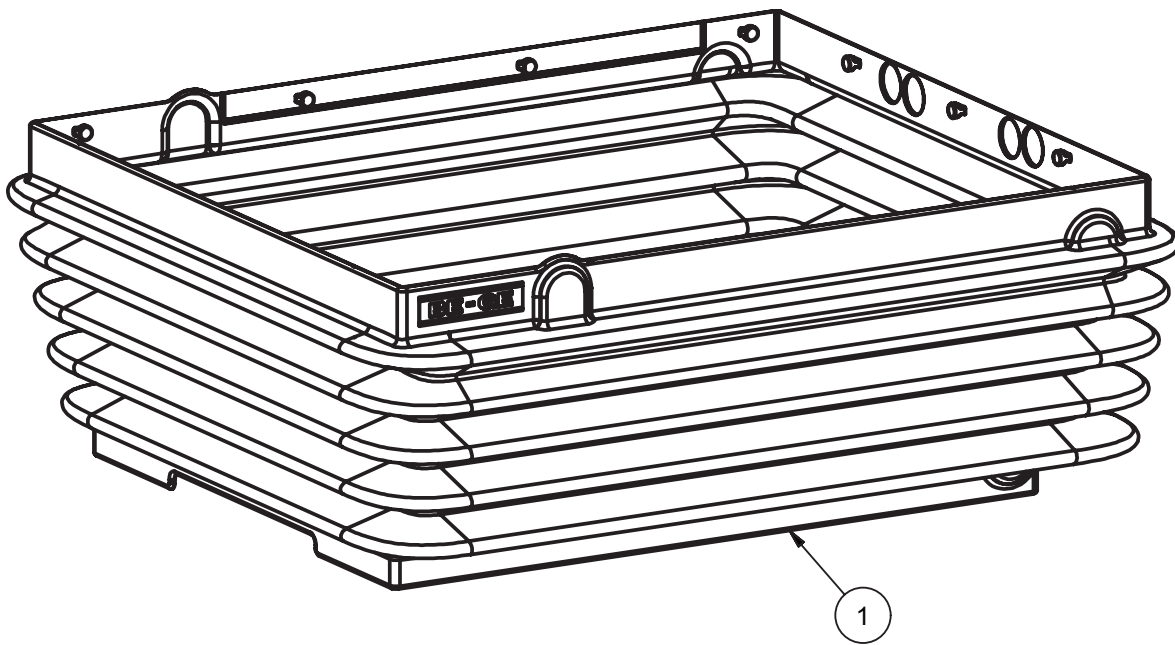
OPERATOR CAB

BE-GE SEAT BREAKDOWN - (CABLE HARNESS KIT)

REF	PART #	QTY	DESCRIPTION	SEE SECTION
1	(CALL)	1	CABLE HARNESS EXT	
2	(CALL)	1	HOUSING JPT 9 PIN - (AMP 1-967621-1)	
3	(CALL)	9	CONTACT JPT - (AMP 927768-3)	
4	(CALL)	2	CABLE TIE	

OPERATOR CAB

BE-GE SEAT BREAKDOWN - (PROTECTION BELLOW)

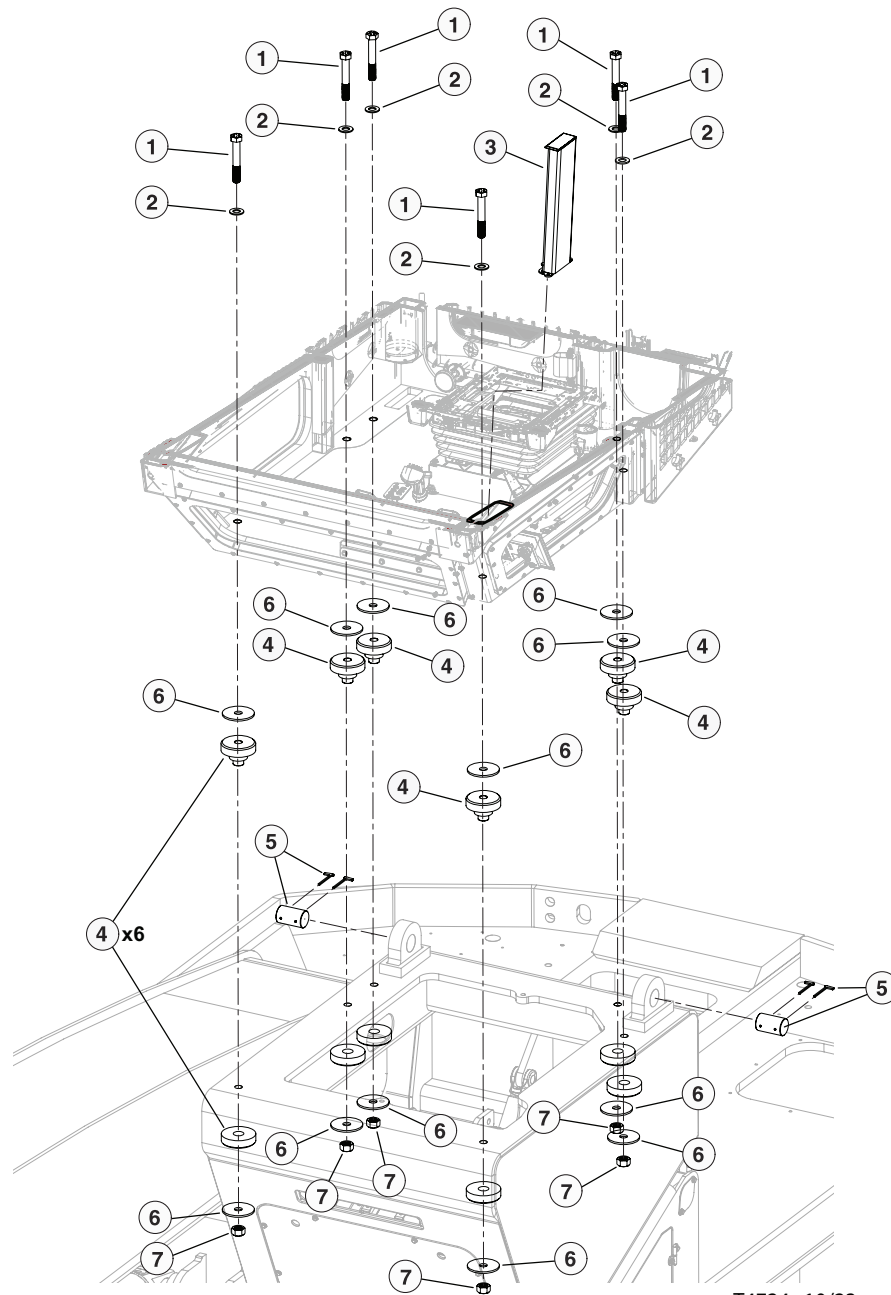


OPERATOR CAB

BE-GE SEAT BREAKDOWN - (PROTECTION BELLOW)

REF	PART #	QTY	DESCRIPTION	SEE SECTION
1	(CALL)	1	PROTECTION BELLOW	

OPERATOR CAB CAB TO RISER INSTALLATION



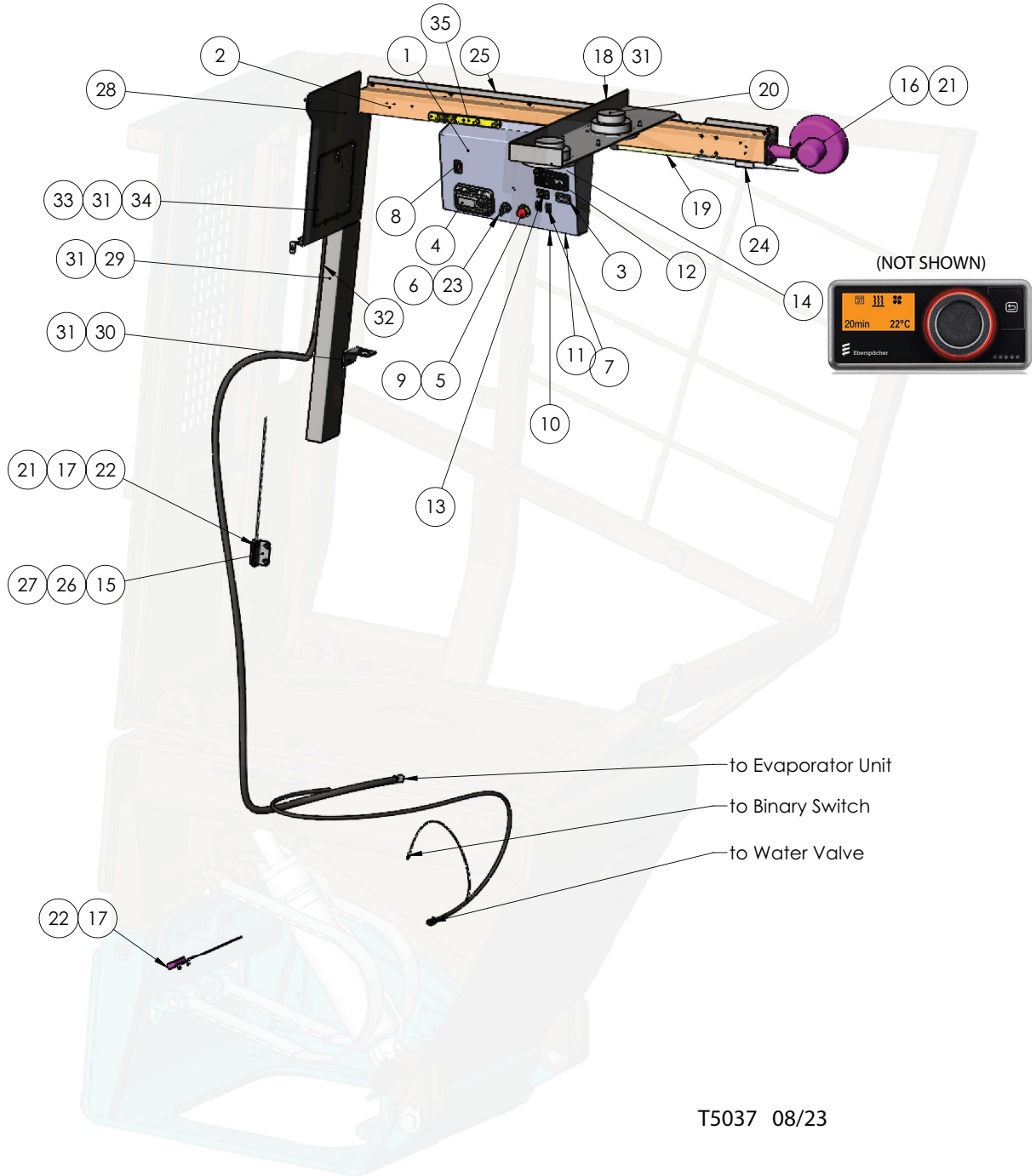
T4724 10/23

REF	PART #	QTY	DESCRIPTION	SEE SECTION
1	23387	6	BOLT - 1.00" X 6.5" (GRADE 9)	
2	10808	6	WASHER, USS FLAT - 1.00"	
3	63430	1	WELDMENT, MAIL CHUTE - LOG LOADER	
4	18141	12	ISOLATOR, RUBBER - CAB	
5	63671	2	PIN, ROPS LOCK CAB - LOG LOADER	
6	19369	12	WASHER, CAB MOUNTING ISOLATOR (1/2")	
7	18253	6	NUT, LOCK GRADE C - 1.00"	

PAGE INTENTIONALLY LEFT BLANK

OPERATOR CAB

INTERIOR ELECTRICAL COMPONENT INSTALLATION



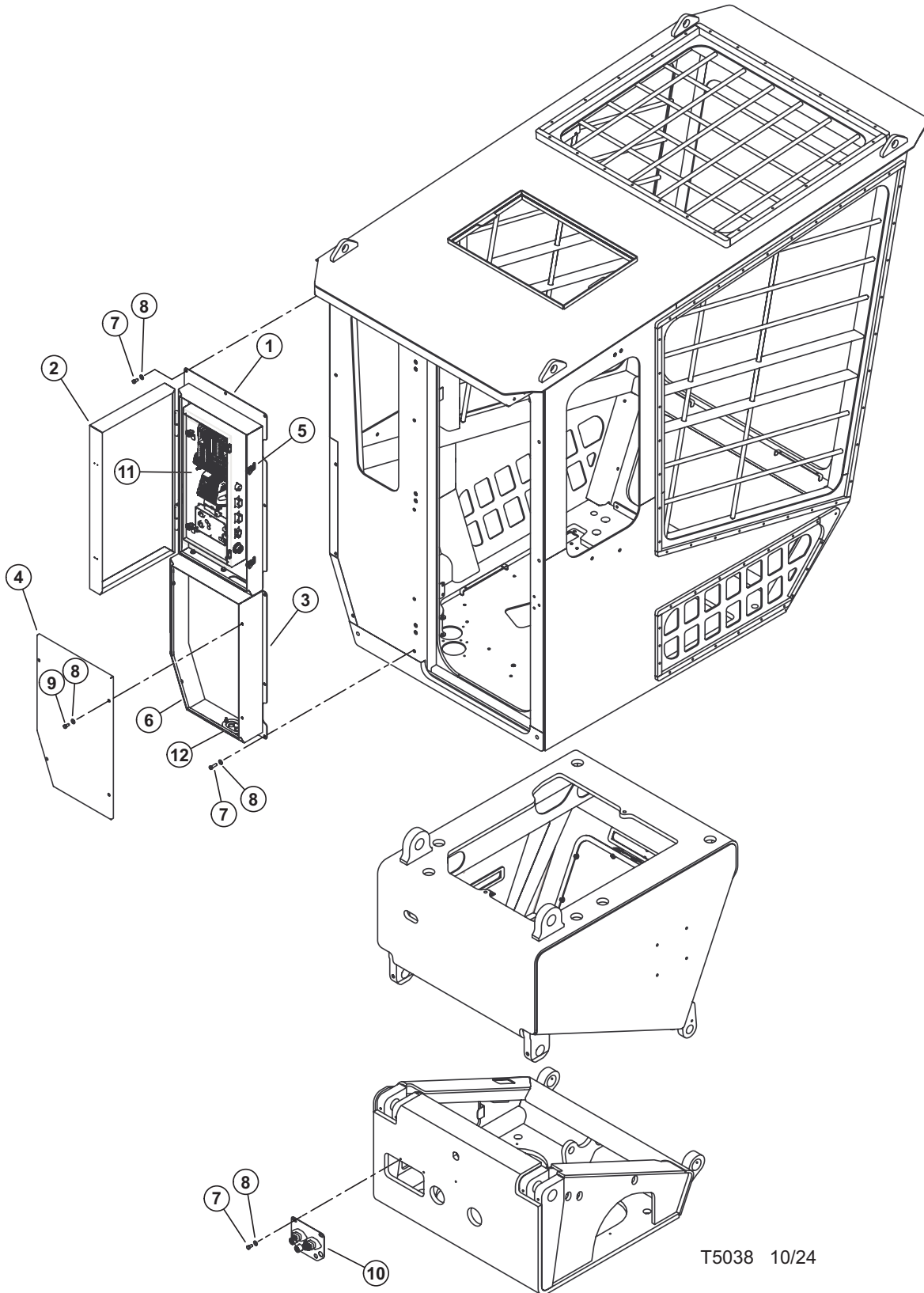
OPERATOR CAB

INTERIOR ELECTRICAL COMPONENT INSTALLATION

REF	PART #	QTY	DESCRIPTION	SEE SECTION
1	63550	1	WELD, CONSOLE	
2	63551	1	WELD, WIRE CHNL	
3	57876	1	MICROPHONE, OMNIDIRECTIONAL	
4	57803	1	STEREO RADIO	
5	53242	1	SWITCH, E-STOP	
6	52414	1	SWITCH, IGNITION	
7	51664	2	SWITCH, ROCKER	
8	51673	1	SWITCH, VACUUM	
9	53243	1	RING, E-STOP	
10	55401	1	ADAPTER, PANEL MOUNT USB	
11	55662	1	POWER POINT, 12V	
12	(CALL)	1	CLIMATE CONTROLLER	
13	52401	1	HOUR METER	
14	(CALL)	1	ESPAR HEATER CONTROL / TIMER (20 2800 70 22 00)	
15	63526	1	PLATE, PROX MT	
16	23279	1	FAN, WINDSHEILD DEFROST - 24V	
17	55264	2	PROX SWITCH (DOOR SENSOR)	
18	63407	1	PLATE, SPEAKER MTG	
19	58983	1	LIGHT, DOME - 24V	
20	57857	1	SPEAKER PAIR, 6.5" COAXIAL WATERPROOF, 75 WATTS	
21	(CALL)	7	PHS, #10-24 X 1/2" LG, ZN PLT	
22	(CALL)	4	Ny-Lok Nut, #10-24	
23	52417	1	KEY, IGNITION	
24	57858	1	ANTENNA, INTERIOR	
25	63555	1	WELD, CONSOLE MT	
26	10757	13	Flat Washer, 1/4 SAE, YZ	
27	15604	13	HHCS, 1/4-20 X .75, Grd 8, YZ	
28	59019	1	CONSOLE HARNESS	
29	63669	1	PLATE, WIRE HIDE	
30	46975	1	PLATE, CHECKFIRE MTG	
31	(CALL)	26	1/4-20 X 1.0" BHCS, CLR ZINC, 5/32" ALLEN	
32	59020	1	LOWER HVAC HARNESS	
33	63664	1	LATCH, WING HANDLE	
34	63668	1	WELD, FUSE ACCESS	
35	52777	1	WRENCH, STAR KNOB	

OPERATOR CAB

IQAN SYSTEM LOCKER INSTALLATION



T5038 10/24

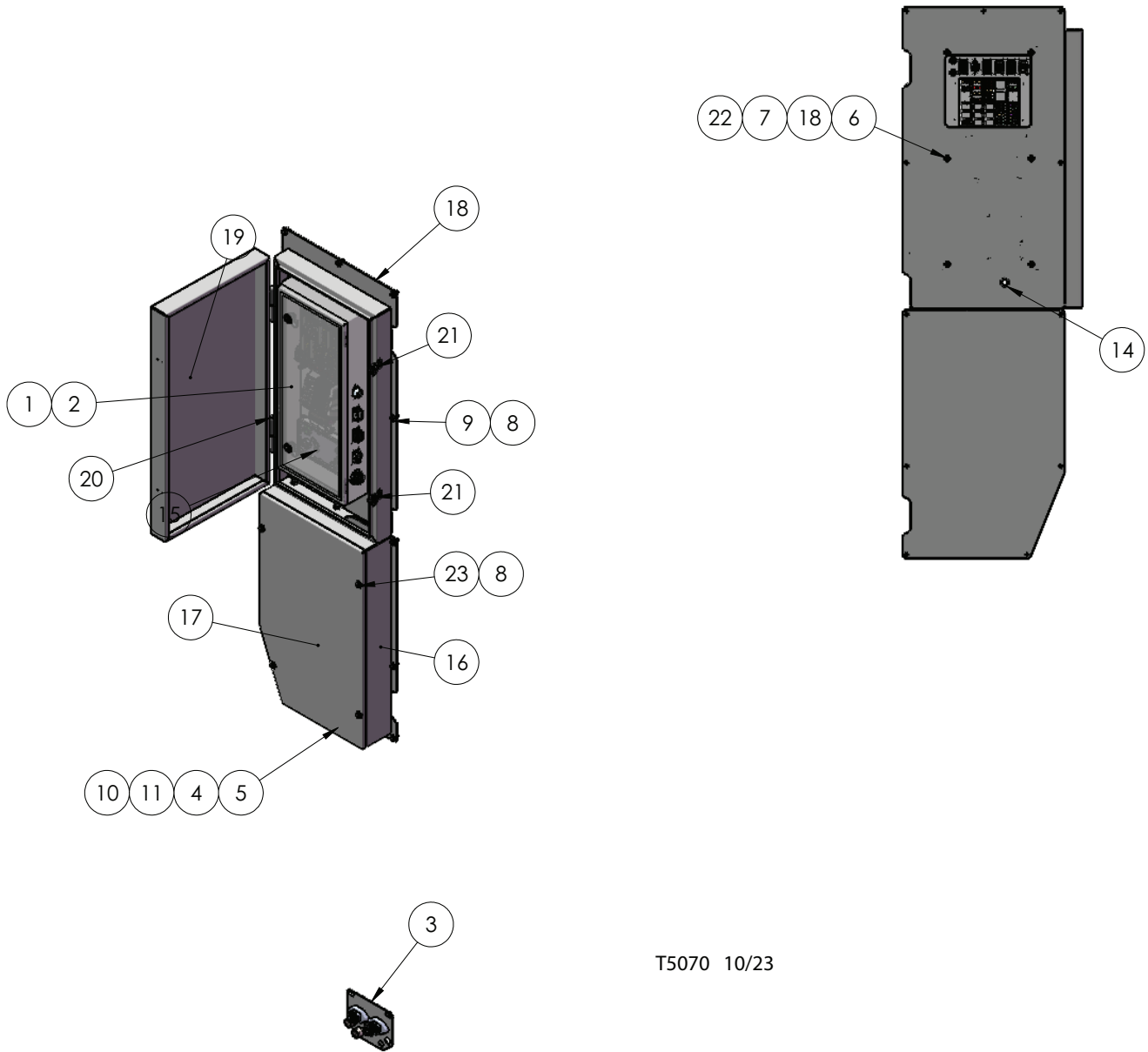
OPERATOR CAB

IQAN SYSTEM LOCKER INSTALLATION

REF	PART #	QTY	DESCRIPTION	SEE SECTION
1	61639	1	UPPER LOCKER	
2	61650	1	TOP LOCKER DOOR	
3	61640	1	BOTTOM LOCKER	
4	61648	1	PALTE, BOTTOM DOOR	
5	61652	2	LATCH, CAM TWIST	
5	61646	2	DOOR HOLD PLATE	
6	63655	1	RUBBER, WIRE SEAL	
7	15542	15	BOLT - 3/8" X .75"	
8	15528	19	WASHER, FLAT - 3/8"	
9	10402	4	BOLT - 3/8" X 1.25"	
10	64800	1	ELECTRICIAL BULKHEAD	
11	46684	1	RUBBER, CAB TO ELECTRICIAL BOX	
12	63654	1	WELD SEAL MTG	

OPERATOR CAB

IQAN SYSTEM LOCKER COMPONENTS



T5070 10/23

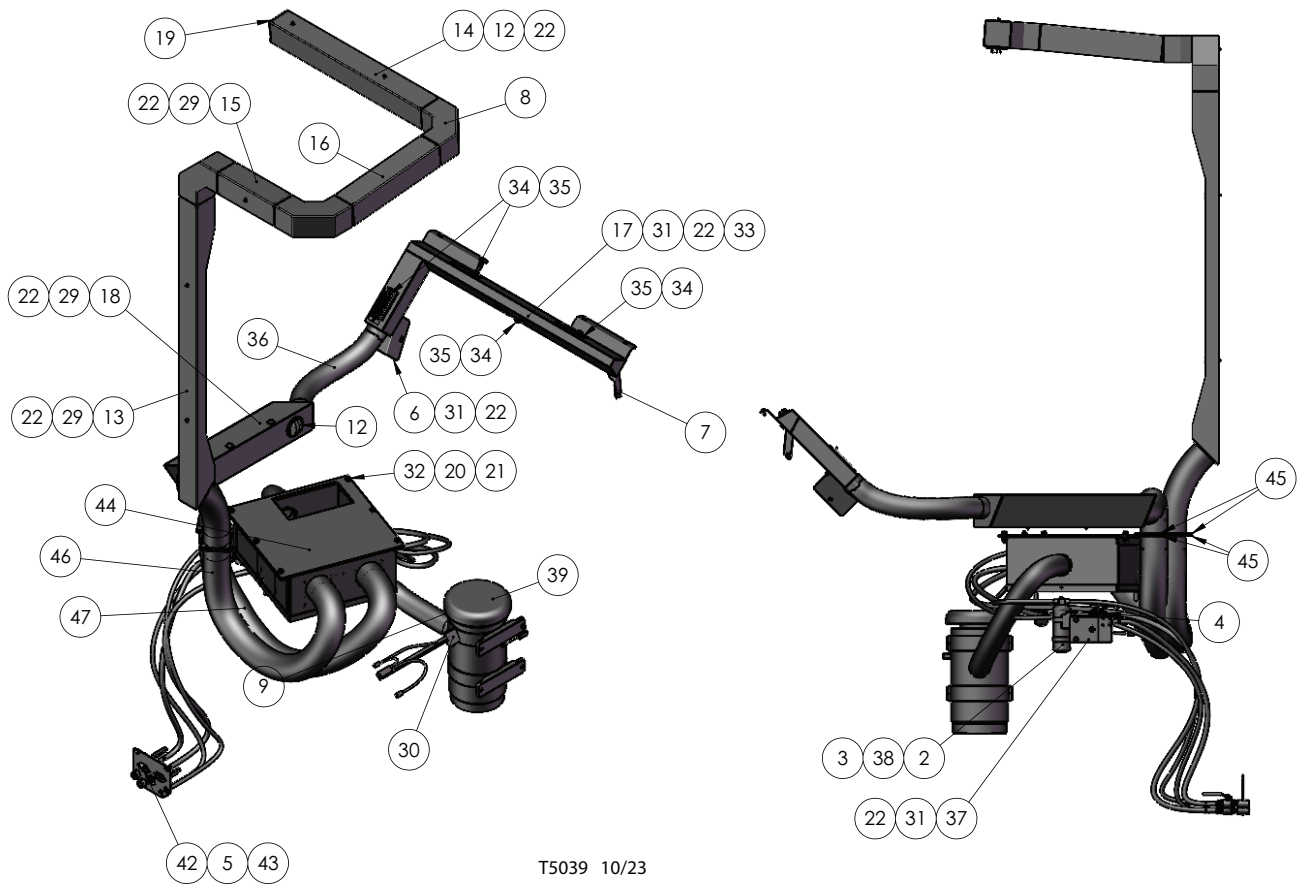
OPERATOR CAB

IQAN SYSTEM LOCKER COMPONENTS

REF	PART #	QTY	DESCRIPTION	SEE SECTION
1	46684	1	RUBBER, CAB TO ELECTRICAL BOX	
2	55189	1	LOAD CENTER	
3	64800	1	WELD, ELEC BULKHEAD	
4	63655	1	RUBBER, WIRE SEAL	
5	63654	1	WELD, SEAL MTG	
6	(CALL)	6	FHCS, .313-18 x 1.25L, YZ	
7	15559	6	FLAT WASHER, 5/16 SAE, YZ	
8	15528	19	FLAT WASHER, 3/8 SAE, YZ	
9	15542	15	HHCS, 3/8-16 X .75, YZ, Grd 8	
10	10757	2	FLAT WASHER, 1/4 SAE, YZ	
11	15575	2	HHCS, 1/4-20 X 1.25, Grd 8, YZ	
14	57899	1	GROMMET, .688 id X 1.0 Mtg	
15	55483	1	CONVERTER, 24V TO 12V	
16	61640	1	WELD, LOCKER BOT	
17	61648	1	PLATE, BOT LOCKER DOOR	
18	61639	1	WELD, LOCKER TOP	
19	61650	1	WELD, TOP LOCKER DOOR	
20	61646	1	PLATE, HOLD	
21	61652	2	LATCH, CAM TWIST	
22	10812	6	NUT, NY-LOCK, .313-18, GRD 8	
23	(CALL)	4	HHCS, 3/8-16 X 1.25, YZ, GRD 8	

OPERATOR CAB

HEAT & A/C COMPONENTS



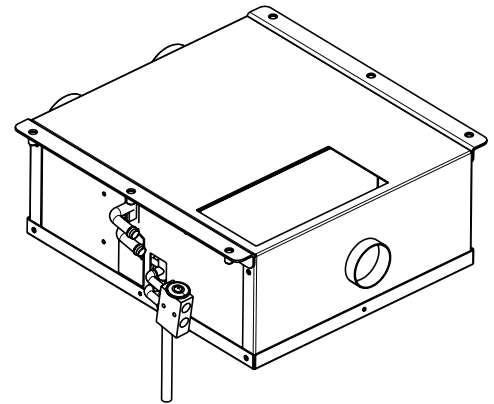
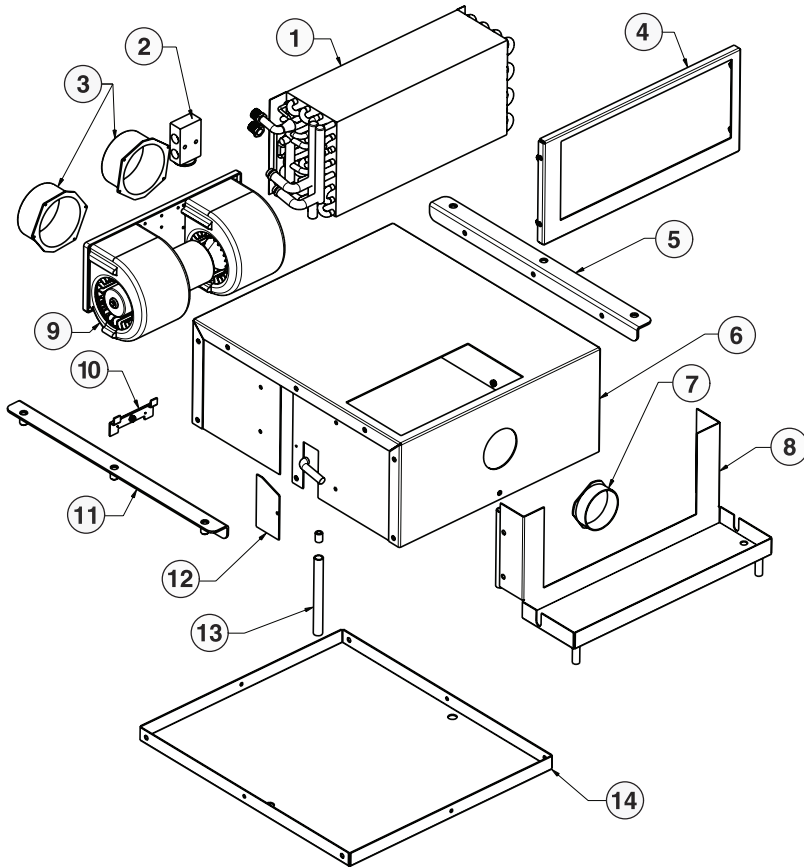
T5039 10/23

OPERATOR CAB

HEAT & A/C COMPONENTS

REF	PART #	QTY	DESCRIPTION	SEE SECTION
1	63614	1	EVAPORATOR UNIT	
2	50937	1	FILTER-DRYER-RECEIVER	
3	15040	1	SWITCH, BINARY (AC DRYER)	
4	58069	1	WATER VALVE, RD-1-4604-O-K	
5	51714	2	VALVE, SHUT-OFF, 1/2" FNPT	
6	63622	1	PLATE, DUCT MTG	
7	63623	1	PLATE, DUCT MTG	
8	63617	3	ELBOW, 4" DUCT	
9	63618	1	HOSE, PRESSURIZER	
10	63619	1	HOSE, FLEX - 4"	
11	63619	1	HOSE, FLEX - 4"	
12	22253	3	LOUVER, ADJUSTABLE, 3"	
13	63624	1	DUCT, 4"	
14	63625	1	DUCT, 4"	
15	63626	1	DUCT, 4"	
16	63627	1	DUCT, 4"	
17	63628	1	DUCT, FRONT	
18	63630	1	DUCT, FLOOR	
19	63631	1	CAP, 4" DUCT	
20	15528	12	WASHER, FLAT - 3/8 SAE	
21	10813	6	NUT, 3/8" NY-LOCK, YZ GRD 8	
22	10731	19	BOLT - 5/16"-18 X .75" GRD 8	
29	63637	5	PLUG, 1.00"	
30	63636	1	CONTROLLER, PRESSURIZER	
31	15559	22	WASHER, FLAT - 5/16" SAE YZ	
32	10731	6	BOLT - 3/8"-16 X 1.5" GRD 8 YZ	
33	10812	4	NUT, .3125" - NY-LOCK	
34	51640	4	LOUVER	
35	17255	8	SCREW, #10 X .75" - SELF TAP, SS	
36	63652	1	FLEX HOSE.2.5"	
37	63657	1	WELD, DRYER MT	
38	(CALL)	2	CLAMP, 2-5/16" TO 2-5/8" (58MM TO 66MM)	
39	61638	1	PRESSURIZER, RESPA CF2	
40	(CALL)	1	BOLT - 3/8"-16 X 1.75" YZ, GRD 8	
41	64800	1	WELD, ELEC, BULKHEAD	
42	16126	2	.50" NPT CLOSE NIPPLE	
43	(CALL)	2	FITTING - 5/8" BEAD X 1/2" MNPT	
44	63566	1	RUBBER MAT, HVAC	
45	61657	4	HOSE ADAPTOR, 4" HVAC	
46	63619	1	HOSE, FLEX - 4"	
47	63619	1	HOSE, FLEX - 4"	

OPERATOR CAB HEATER BREAKDOWN



BT1-9001-T THERMOSTAT PROBE
(NOT SHOWN)

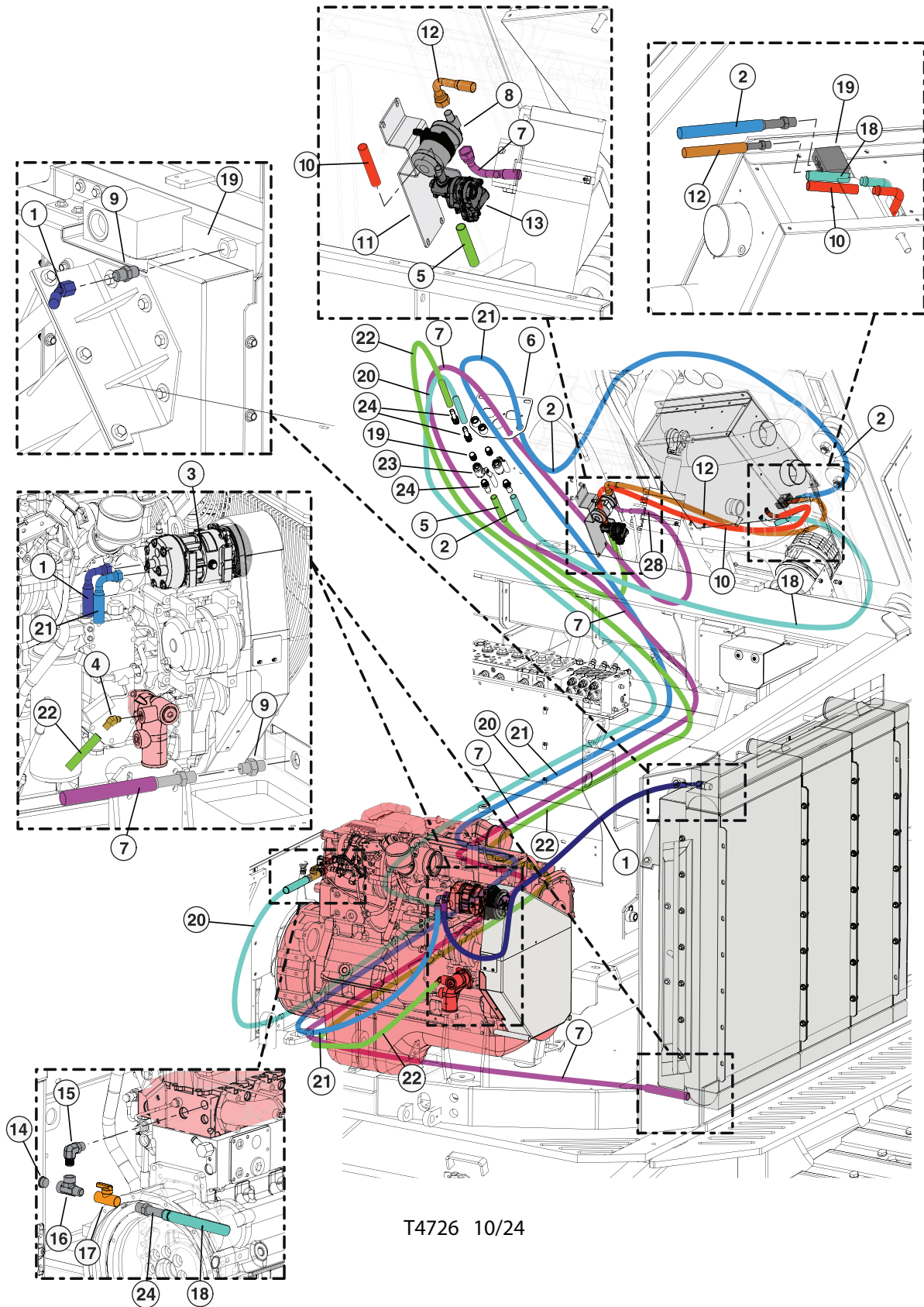
OPERATOR CAB

HEATER BREAKDOWN

REF	PART #	QTY	DESCRIPTION	SEE SECTION
1	(CALL)	1	COIL COMBO	
2		1	VALVE TXV BLOCK 2 TOP	
3		2	ADAPTER 4 INCH HOSE	
4		1	FILTER MOUNT	
5		1	HOUSING MOUNT	
6		1	HOUSING	
7		1	ADAPTER 3 INCH HOSE	
8	(CALL)	1	DRAIN PAN WELDMENT	
9	55731	1	BLOWER 24V BRUSHLESS	
10	(CALL)	1	BLOWER CLAMP	
11		1	HOUSING MOUNT	
12		1	HOUSING TAB	
13		2	VALVE CHECK ASSEMBLY	
14	(CALL)	1	HOUSING COVER	

OPERATOR CAB

AIR CONDITIONING/HEATER HOSE INSTALLATION



T4726 10/24

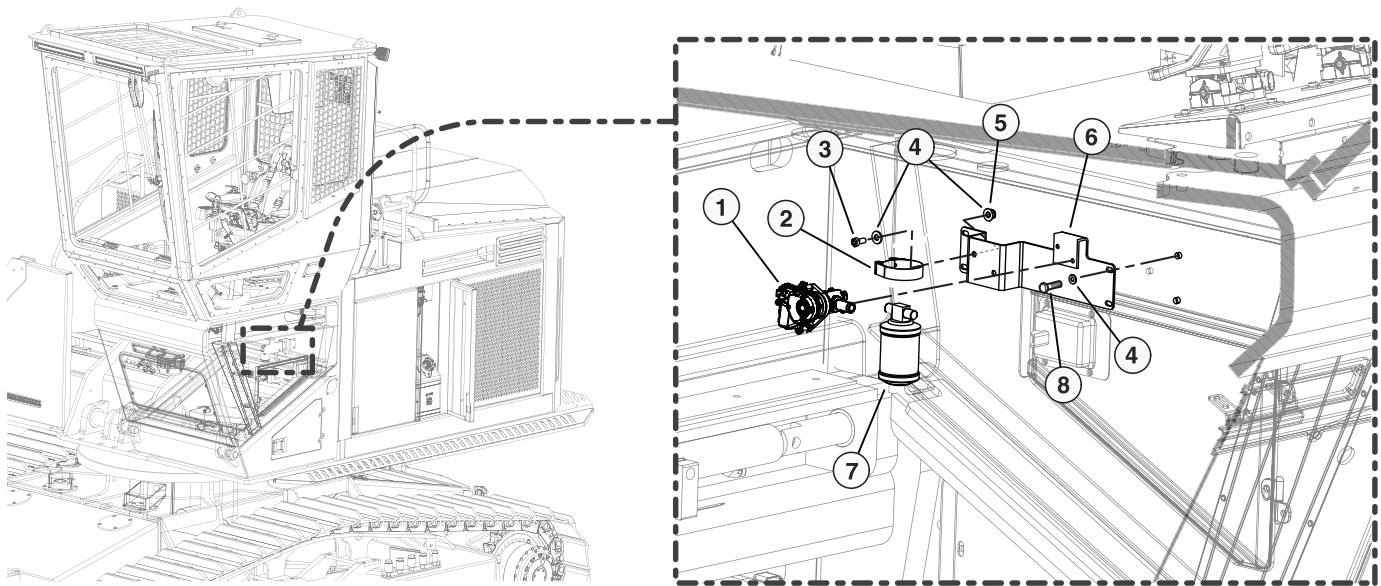
OPERATOR CAB

AIR CONDITIONING/HEATER HOSE INSTALLATION

REF	PART #	QTY	DESCRIPTION	SEE SECTION
1	(CALL)	1	A/C HOSE - A/C COMPRESSOR TO CONDENSER	
2	(CALL)	1	A/C HOSE - BULKHEAD PLATE TO AIR CONDITIONER UNIT	
3	58156	1	COMPRESSOR, A/C - TAIL SWING	
4	57805	1	FITTING, 179HB-10-8	
5	57618	1	HOSE, HEATER -5/8" WRAPPED - SHUT-OFF VALVE TO WATER VALVE	
6	63556	1	PLATE, CONNECTOR MOUNT - LOG LOADER	
7	(CALL)	AR	HEATER HOSE - RADIATOR TO BULKHEAD PLATE	
8	50937	1	FILTER-DRYER-RECEIVER	
9	(CALL)	2	Fitting, ST (Badger Truck #21.31406)	
10	(CALL)	AR	HEATER HOSE - HEATER UNIT TO WATER VALVE	
11	63657	1	WELD, DRYER MT	
12	(CALL)	1	A/C HOSE - AIR CONDITIONER UNIT TO DRYER	
13	58069	1	WATER VALVE	
14	17488	1	PLUG - 5406-HHP-8	
15	52785	1	ELBOW, MALE PIPE - 3/4 X 1/2 CR-S	
16	51879	1	TEE, RUN - .5" (1/2 MR0-S)	
17	51714	1	VALVE, BALL - WATER SHUT OFF HEATER 1/2"	
18	54780	1	HOSE, HEATER - 5/8" WRAPPED - HEATER UNIT TO SHUT-OFF VALVE	
19	(CALL)	2	CLOSE NIPPLE - 1/2" NPT	
20	(CALL)	1	HOSE, HEATER - 5/8" WRAPPED - ENGINE TO BULK HEAD PLATE	
21	(CALL)	1	A/C HOSE - A/C COMPRESSOR TO BULK HEAD PLATE	
22	(CALL)	1	HOSE, HEATER - 5/8" WRAPPED - ENGINE TO BULK HEAD PLATE	
23	(CALL)	2	VALVE, SHUT-OFF - 1/2" FNPT	
24	(CALL)	5	FITTING, 5/8" BEAD X 1/2" NPT	
(Not Shown)	16256	10	CLAMP, HOSE - WORM STYLE - 1" (HEATER HOSE)	

OPERATOR CAB

A/C DRYER & BINARY SWITCH INSTALLATION



T5069 10/23

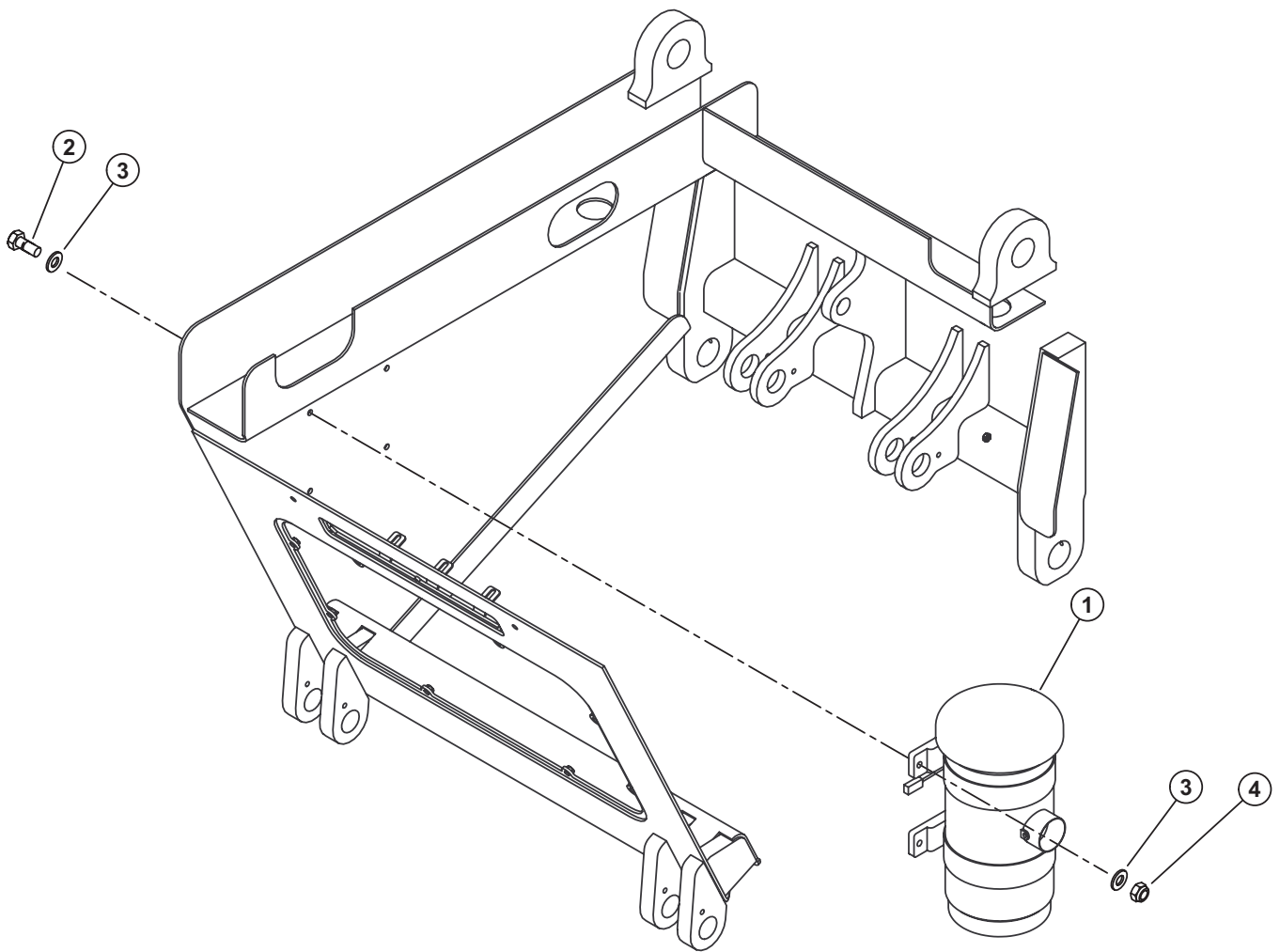
OPERATOR CAB

A/C DRYER & BINARY SWITCH INSTALLATION

REF	PART #	QTY	DESCRIPTION	SEE SECTION
1	58069	1	WATER VALVE	
2	10103	1	BRACKET, A/C DRYER	
3	10731	4	BOLT - .3125 X .75"	
4	15559	12	WASHER, FLAT - .3125" SAE	
5	10812	4	NUT, LOCK - .3125"	
6	63657	1	WELD, DRYER MT	
7	50937	1	FILTER-DRYER-RECEIVER	
8	15589	4	BOLT - .3125" X 1.00"	

OPERATOR CAB

CAB PRESSURIZER INSTALLATION



T5073 10/23

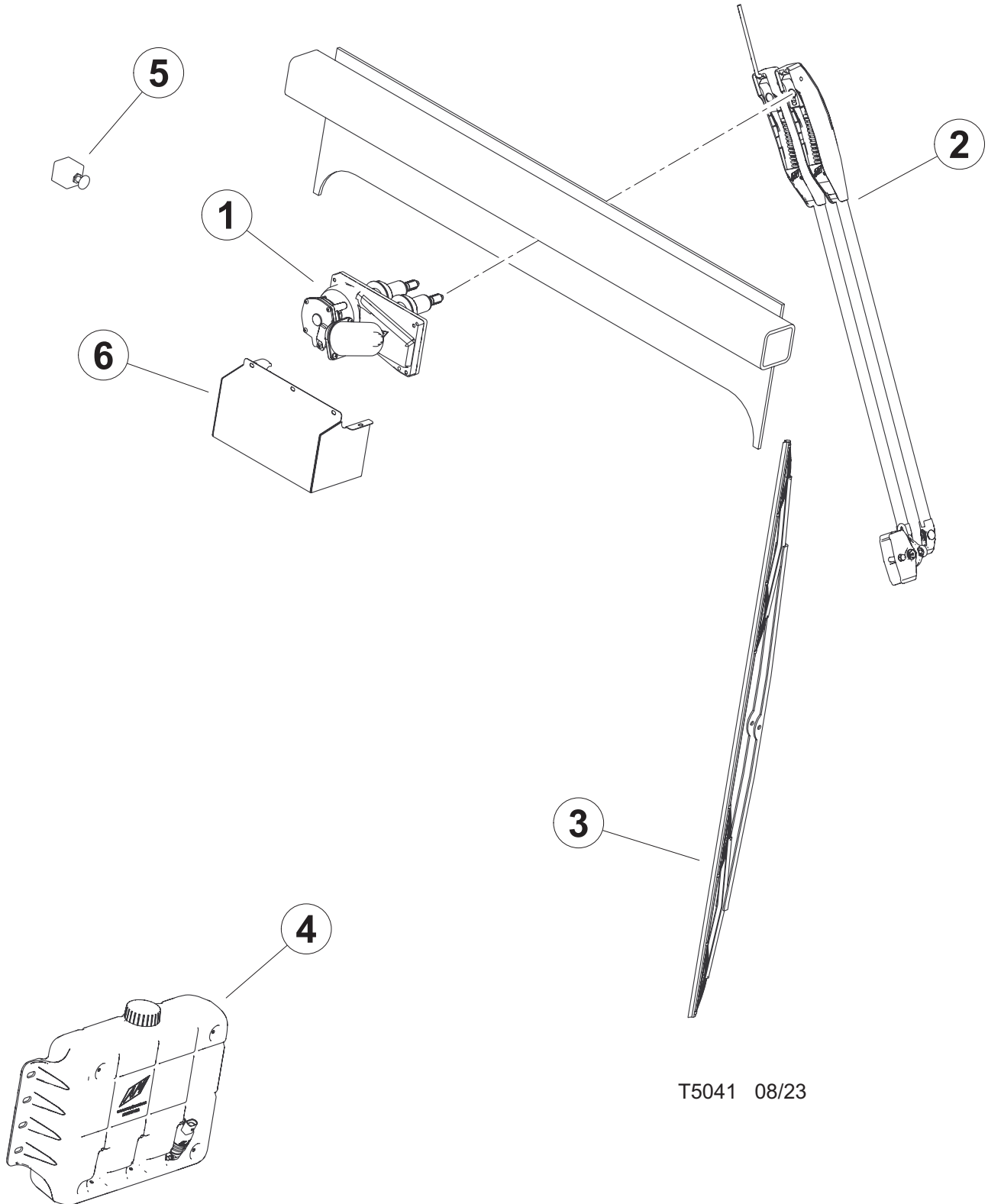
OPERATOR CAB

CAB PRESSURIZER INSTALLATION

REF	PART #	QTY	DESCRIPTION	SEE SECTION
1	61638	1	PRESSURIZER, RESPA CF2	
2	50100	4	BOLT - .5" X 1.25"	
3	15534	8	WASHER, SAE FLAT - .5"	
4	10815	4	NUT, LOCK - .5"	

OPERATOR CAB

WINDSHIELD WIPER ASSEMBLY



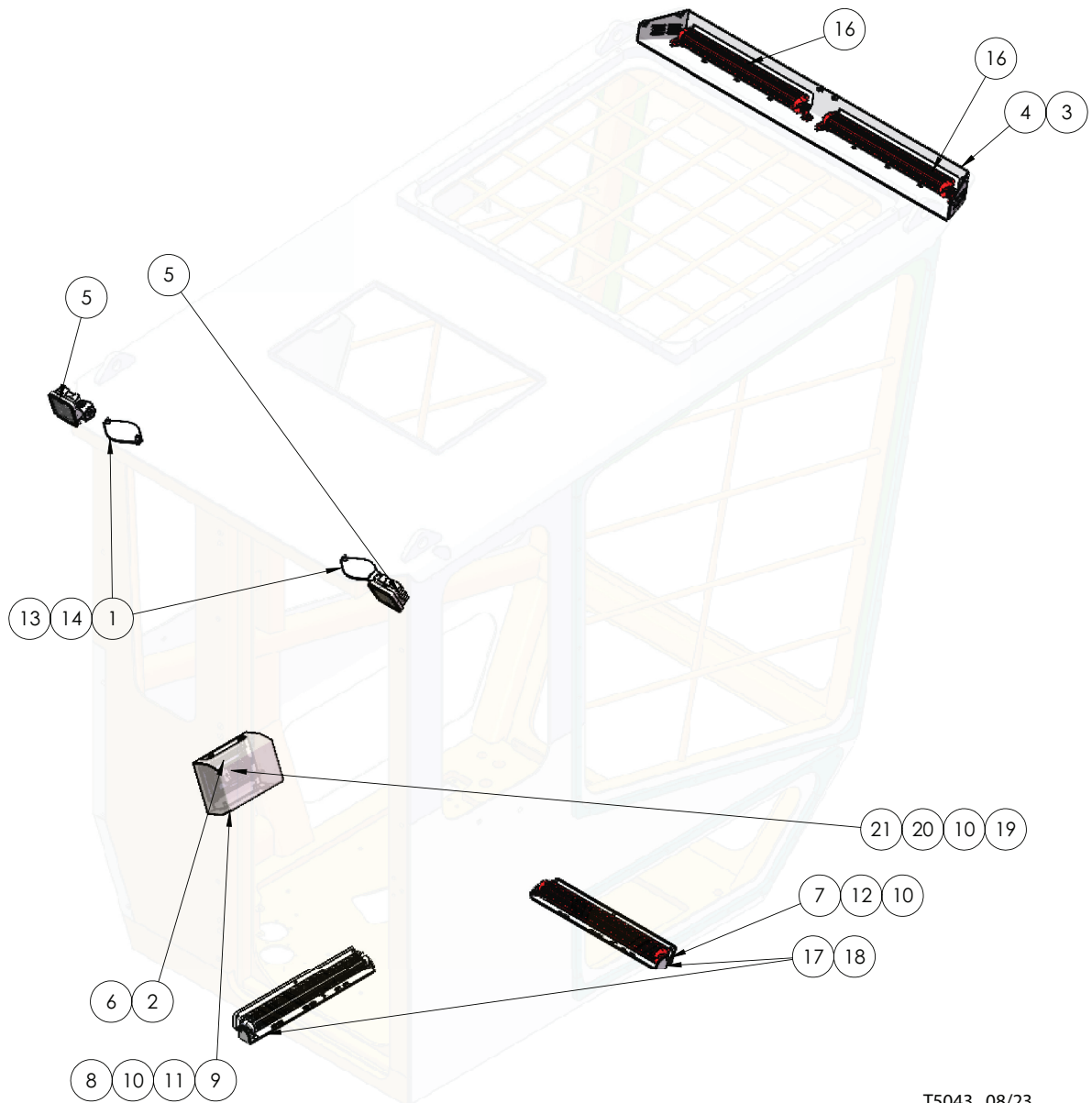
T5041 08/23

OPERATOR CAB

WINDSHIELD WIPER ASSEMBLY

REF	PART #	QTY	DESCRIPTION	SEE SECTION
1	64751	1	MOTOR ASSY, DUAL DRIVER WIPER, 24V	
2	64752	1	ARM, HD, DD - 33" WET	
3	64753	1	BLADE, 45" FLEX	
4	64754	1	WASHER BOTTLE TANK & PUMP - 24V	
5	61621	1	SWITCH, 2 SPD 24V WIPER/WASHER	
6	61615	1	COVER, WIPER MOTOR	

OPERATOR CAB WORK LIGHT INSTALLATION



T5043 08/23

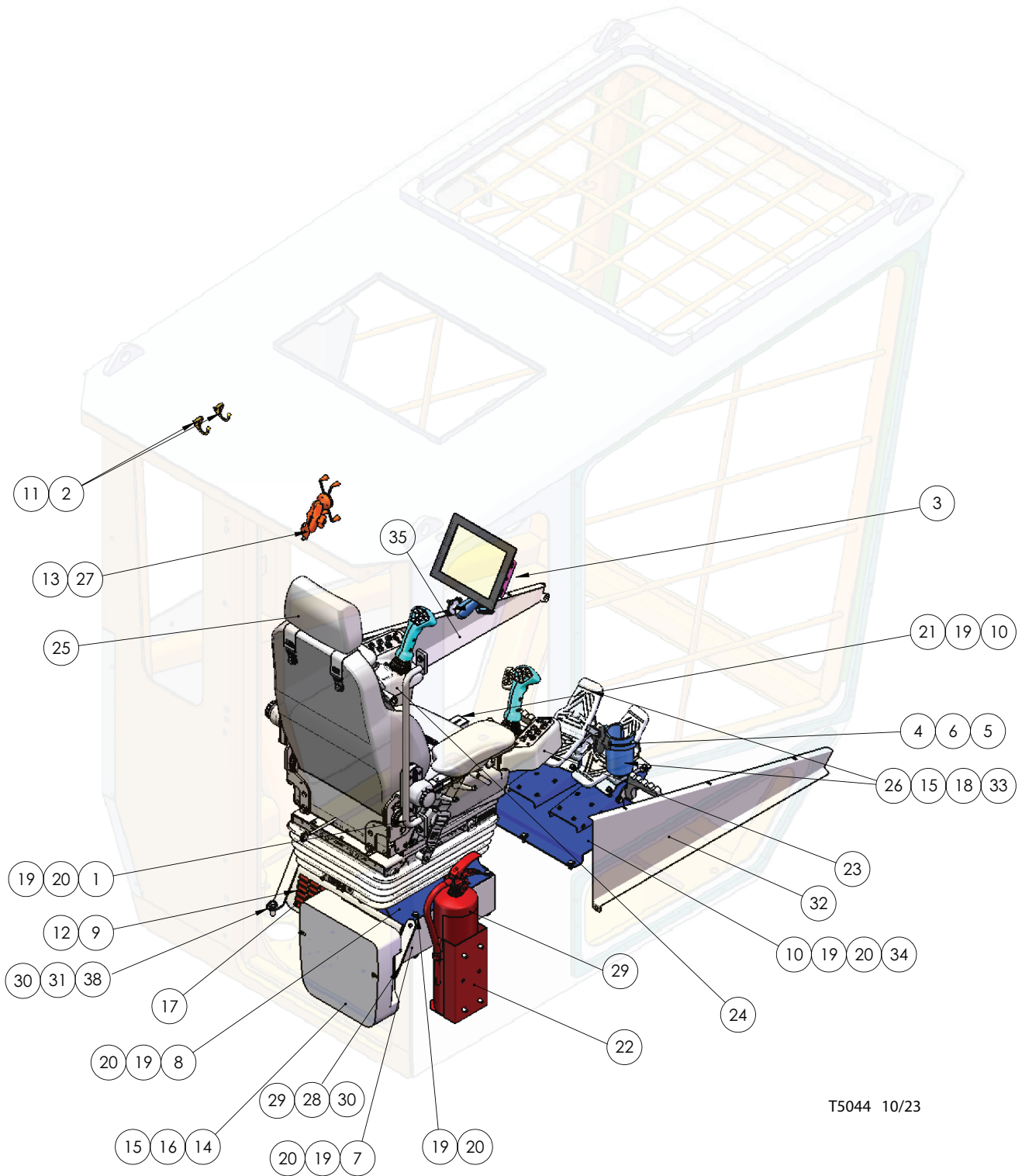
OPERATOR CAB

WORK LIGHT INSTALLATION

REF	PART #	QTY	DESCRIPTION	SEE SECTION
1	63493	2	PLATE, COVER	
2	49223	1	WELD, LIGHT BOX	
3	10827	6	BOLT - .375"-16 X .5"	
4	63404	1	PLATE, LIGHT GUARD	
5	50999	2	LIGHT, 6 LED CUBE	
6	49222	1	GUARD PANE, REAR LIGHT, PC	
7	49335	2	LEXAN, LIGHT GUARD	
8	63607	2	WELD, COVER MT	
9	63608	1	PLATE, LIGHT COVER	
10	10757	28	WASHER, FLAT - .250" SAE	
11	15509	4	NUT, NY-LOCK - .250"-20 GRD 8	
12	15604	14	BOLT - .250"-20 X .75" GRD 8	
13	15528	4	WASHER, FLAT - .375" SAE	
14	15542	4	BOLT - .375"-16 X .75" GRD 8	
15	15575	4	BOLT - .250"-20 X 1.25" GRD 8	
16	59047	2	LIGHT BAR, 15 LED	
17	61555	2	PLATE, 15 LED MT	
18	59047	2	LIGHTBAR, 15 LED	
19	(CALL)	2	WASHER, FLAT - .3125" RUBBER	
20	(CALL)	2	BOLT - M6 X .75" X 20MM	
21	59043	1	LIGHTBAR, 3 LED	

OPERATOR CAB

SEAT & PERIPHERALS ASSEMBLY



T5044 10/23

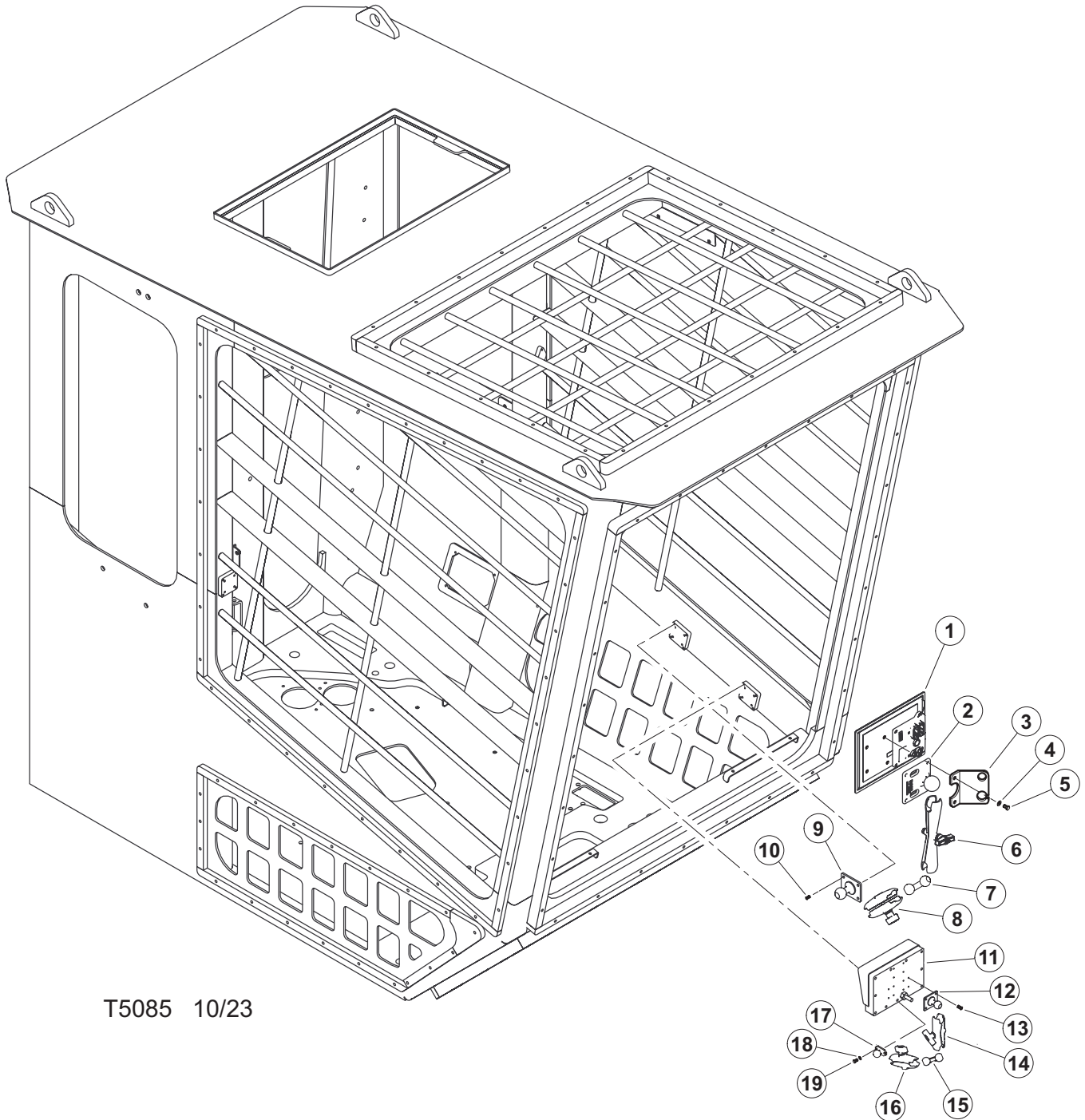
OPERATOR CAB

SEAT & PERIPHERALS ASSEMBLY

REF	PART #	QTY	DESCRIPTION	SEE SECTION
1	63540	1	WELD, GRAB HANDLE	
2	59003	2	HOOK, COAT	
3	57385	1	MODULE, MD4-10 SCREEN	
4	63557	1	CUP HOLDER. BALL MT	
5	63567	1	MALL MT. "B" SIZE RAM, 1.5	
6	63568	1	ARM, RAM, "B" SIZE X 3" L	
7	63520	1	WELD, SEAT BASE	
8	63545	1	WELD, SEAT MT	
9	63527	1	PLATE, FILTER GUARD	
10	63320	1	WELD, FOOT PEDAL MT	
11	(CALL)	4	FLAT HEAD DRILLING SCREWS FOR METAL	
12	(CALL)	2	SCEW, THUMB, 1/4-20 X .50L	
13	(CALL)	8	1/4-20 X 1.0" BHCS, CLR ZINC, 5/32" ALLEN	
14	63595	1	DOCUMENT HOLDER	
15	15559	10	WASHER, FLAT - .3125" SAE	
16	10825	2	BOLT - .3125"-18 X 3.00" GRD 8	
17	63621	1	FILTER, CAB HVAC	
18	10731	8	BOLT - .3125"-18 X .75" GRD 8	
19	15528	27	WASHER, FLAT - .375" SAE	
20	15542	26	BOLT - .375"-16 X .75" GRD 8	
21	63641	1	MAIL CHUTE	
22	16222	1	FIRE EXT W/BRKT, 10LB	
23	55422	1	POD, RH JOYSTICK	
24	55417	1	POD, RH JOYSTICK	
25	57840	1	SEAT, BEGE	
26	57801	2	FOOT PEDALS	
27	57551	1	HOLDER, PHONE RAM SUCTION	
28	15534	2	WASHER, FLAT - .5" SAE	
29	57891	1	FIRE EXTINGUISHER - 5 LBS - CAB	
30	10739	2	BOLT - .5"-13 UNC-2B X 1.5" GRD 8	
31	60566	2	PLATE, SEAT TETHER EXTENSION	
32	61632	1	PLATE, TRIM - RH	
33	46845	2	BRACKET, POD MOUNT-KAB SEAT	
34	63210	2	WELD, FOOT PEG	
35	61631	1	PLATE, TRIM - LH	

OPERATOR CAB

MD4-10 SCREEN & CAMERA MONITOR INSTALLATION



T5085 10/23

OPERATOR CAB

MD4-10 SCREEN & CAMERA MONITOR INSTALLATION

REF	PART #	QTY	DESCRIPTION	SEE SECTION
1	57385	1	MODULE, MD4-10 SCREEN	
2	57531	1	MOUNT, SCREEN - MD4-10	
3	47502	1	PLATE, BEEPER MOUNT: MD4-10 SCREEN	
4	(CALL)	4	HEX CAP SCREW GRADE 8.8 M4-0.7 X 16MM	
5	(CALL)	4	SAE FLAT WASHER LOW CARBON STEEL #10	
6	63611	1	ARM, 8" RAM MT	
7	65673	1	DOUBLE BALL ADAPTER, RAM C-SIZE	
8	57240	1	MOUNT, RAM BALL - MD4	
9	59115	1	MOUNT, MD4-10, CAB PILAR	
10	(CALL)	4	TAMPER-PROOF MACHINE SCREW TORX #10-24 X 3/4"	
11	52557	1	CAMERA MONITOR	
12	65672	1	MONITOR BALL MOUNT	
13		4	SCREW	
	(CALL)	1	DOUBLE SOCKET ARM ADAPTER WITH MEDIUM & LONG ARMS - B SIZE (INCLUDES ITEMS 14,15 & 16)	
14	65674	1	ARM, RAM "B" SIZE X 5" LONG	
15	(CALL)	1	DOUBLE BALL ADAPTER	
16	63568	1	ARM, RAM MOUNT	
17	63567	1	BALL, RAM MOUNT	
18	15604	2	BOLT - .25" X .75"	
19	10757	2	WASHER, SAE FLAT - .25"	

THIS PAGE LEFT BLANK FOR NOTES

Horizontal lines for taking notes.