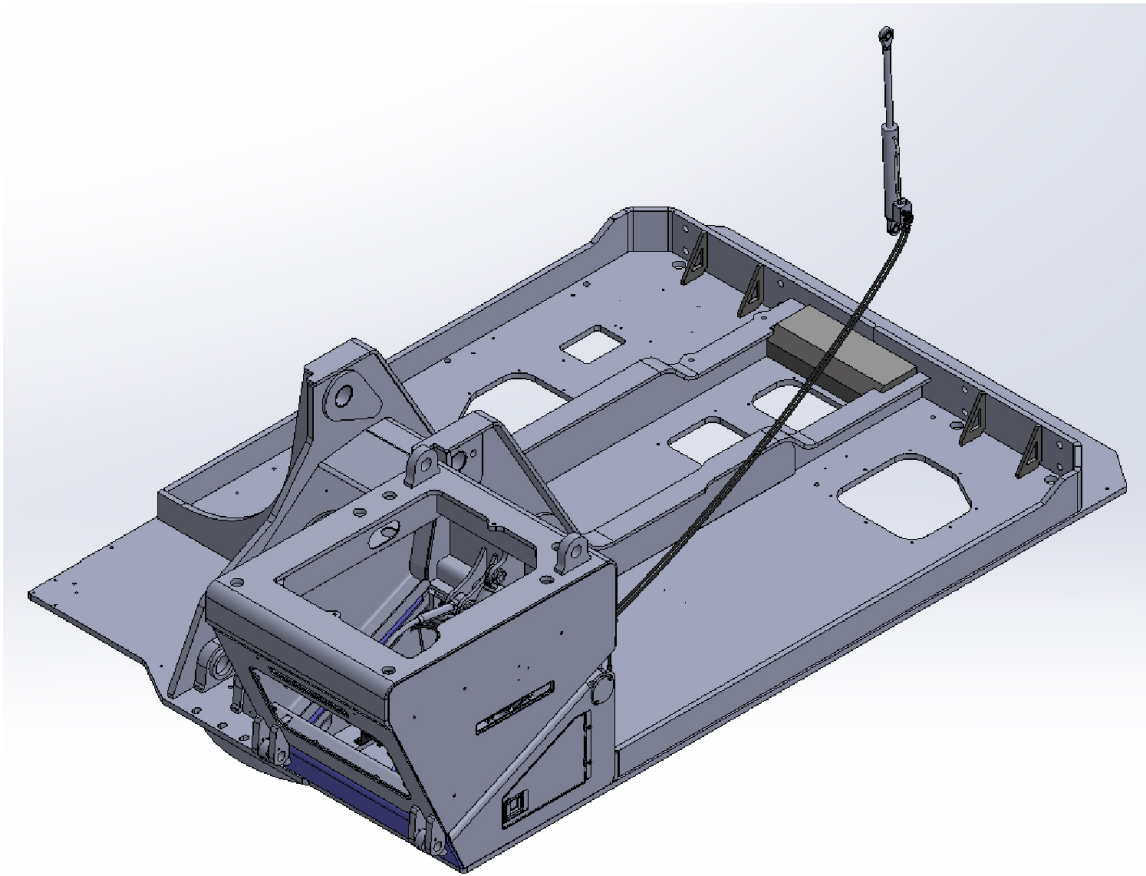


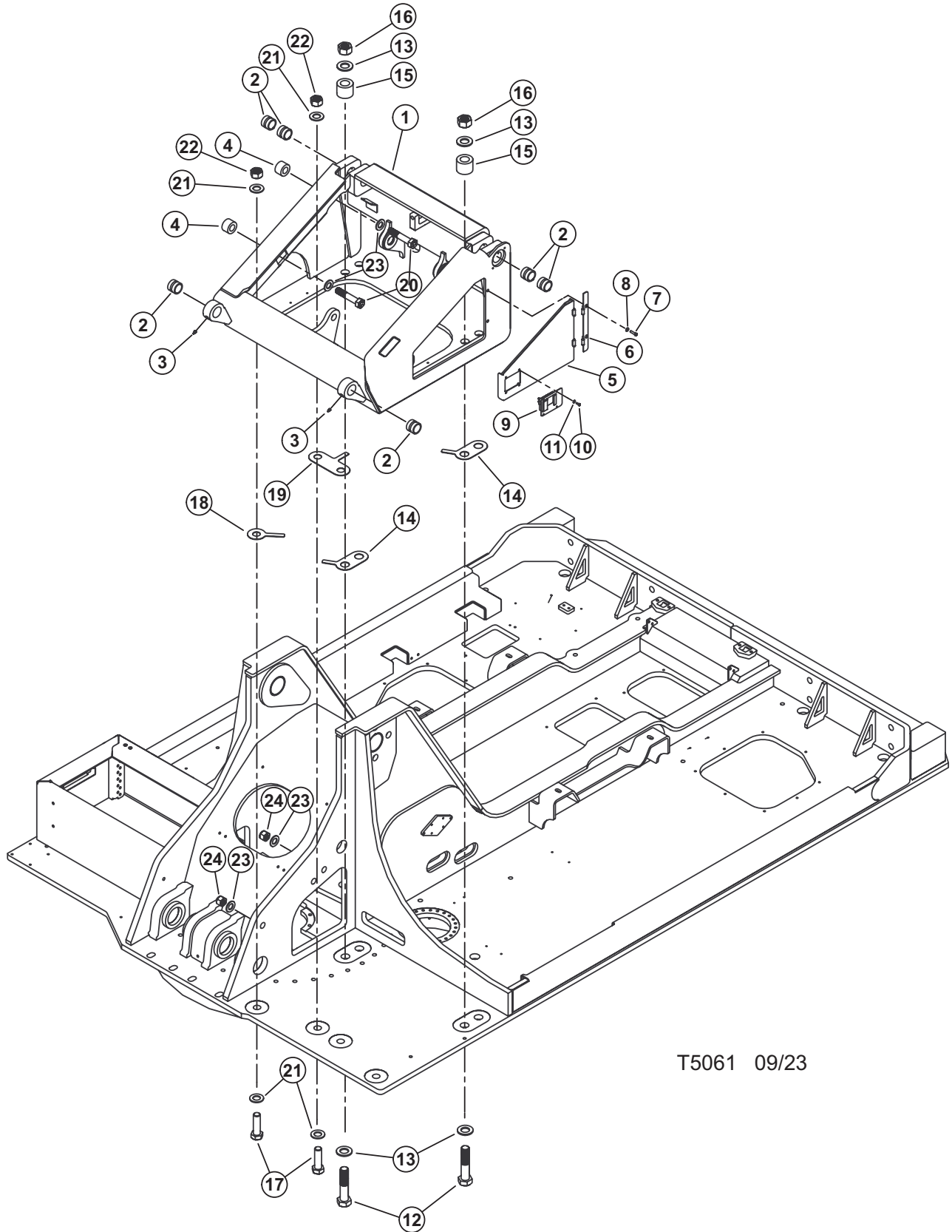
SECTION RH-1

CAB RISER COMPONENTS & INSTALLATION



LOWER CAB RISER

LOWER RISER ASSEMBLY & INSTALLATION



T5061 09/23

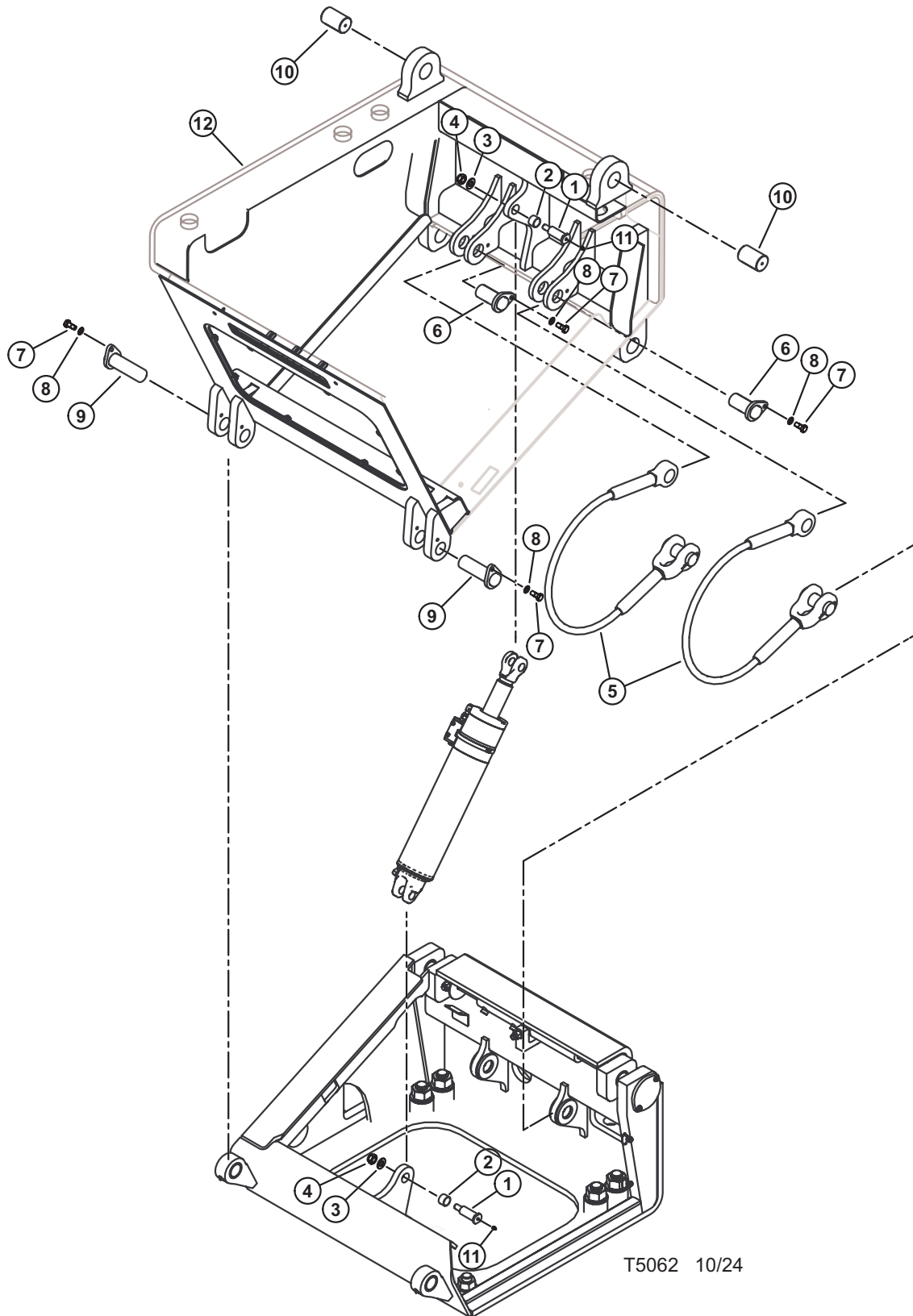
LOWER CAB RISER

LOWER RISER ASSEMBLY & INSTALLATION

REF	PART #	QTY	DESCRIPTION	SEE SECTION
1	63450	1	WELDMENT, 785 LOWER RISER - MACHINED	
2	52795	6	BUSHING - 2" X 2"	
3	10704	2	FITTING, GREASE - .125" NPT - STR	
4	63473	3	TUBE, 2.75OD X .63W	
5	63452	1	WELD, RISER DOOR	
6	61655	1	HINGE ASSEMBLY	
7	10731	2	BOLT - .375" X 1.5"	
8	15528	2	WASHER, SAE FLAT - .375"	
9	63508	1	HANDLE, RISER DOOR LATCH - LOG LOADER	
10	15604	4	BOLT - .25" X .75"	
11	10800	4	WASHER, FLAT - .25" SAE	
12	58305	4	BOLT - 1 3/4" - 5 X 8" (GRADE 8)	
13	59023	8	WASHER, FLAT - 1.75" (LOG LOADER)	
14	61625	2	PLATE, SHIM	
15	63475	4	TUBE, 3.50OD x .75W	
16	59026	4	NUT, HEX - 1.75" (LOG LOADER)	
17	58306	4	BOLT - 1 1/2" - 6 X 5" (GRADE 8)	
18	61623	2	PLATE, SHIM	
19	61624	1	PLATE, SHIM	
20	(CALL)	3	BOLT - 1-1/4"-7 X 10" GRADE 8 PLAIN FINISH	
21	(CALL)	8	WASHER, FLAT - 1-1/2" X 3.000" OD LOW CARBON ZINC FINISH STEEL SAE	
22	(CALL)	3	NUT - 1-1/2"-6 YELLOW ZINC FINISH GRADE 8 FINISHED	
23	(CALL)	6	WASHER, FLAT - 1-1/4" X 2.500" OD LOW CARBON ZINC FINISH STEEL SAE	
24	(CALL)	3	NUT, LOCK - 1-1/4"-7 GRADE 8 YELLOW ZINC FINISH NE STEEL NYLON INSERT	

LOWER CAB RISER

UPPER RISER COMPONENTS & INSTALLATION



T5062 10/24

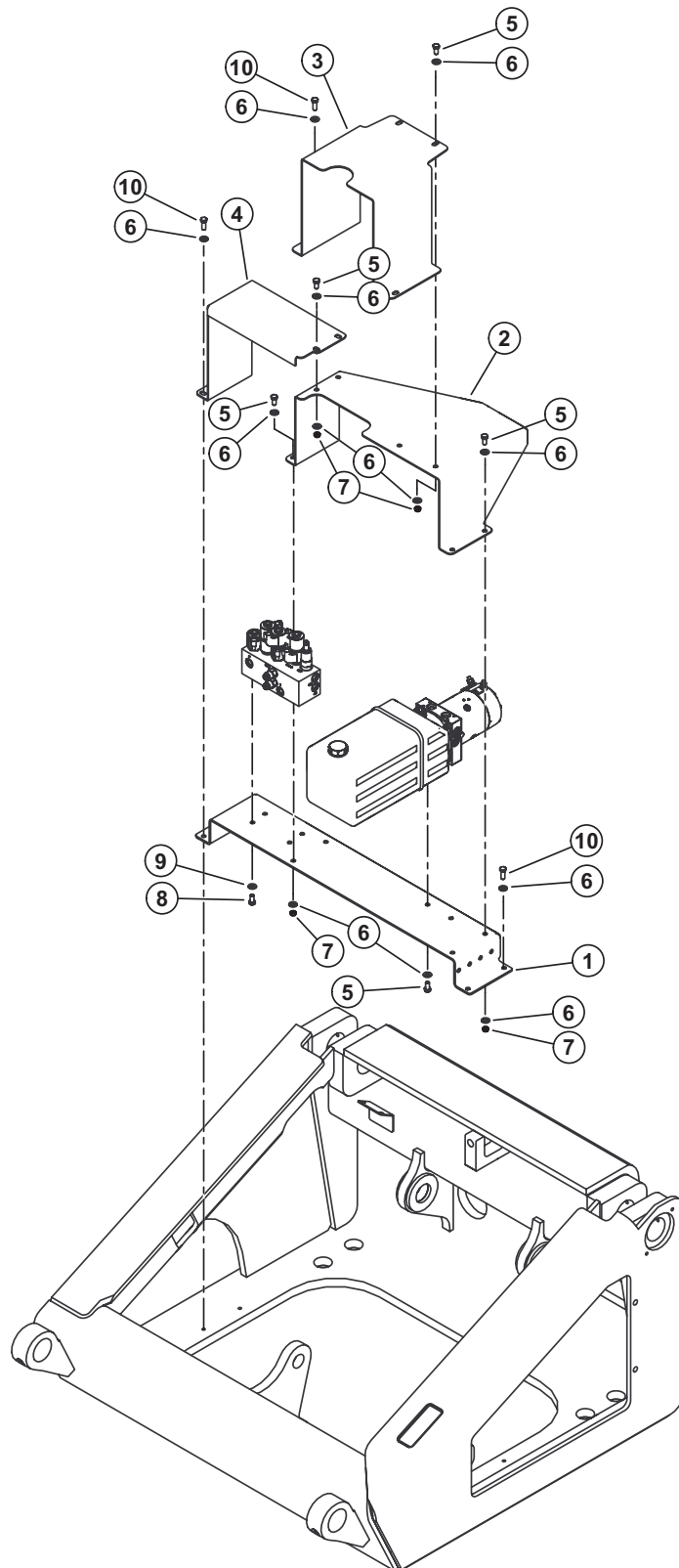
LOWER CAB RISER

UPPER RISER COMPONENTS & INSTALLATION

REF	PART #	QTY	DESCRIPTION	SEE SECTION
1	63505	2	CAB TILT CYLINDER PIN	
2	10708	2	CAB TILT CYLINDER BUSHING	
3	10806	2	WASHER, FLAT - .75"	
4	10817	2	NUT, LOCK - .75"	
5	65586	2	WIRE ROPE ASSEMBLY (INCLUDES LOWER PIN & COTTER PINS)	
6	65588	2	UPPER WIRE ROPE PIN ASSY	
7	50100	4	BOLT - .5" X 1.25"	
8	10804	4	WASHER, FLAT - .5" SAE	
9	54121	2	PIN 2.0" DIA X 6.00"	
10	63671	2	PIN, ROPS STOP	
11	10704	2	FITTING, GREASE - .125" NPT - STR	
12	63460	1	WELDMNT, 785 UPPER RISER - MACHINED	

LOWER CAB RISER

LIFT PUMP & MANIFOLD INSTALLATION



T5060 10/24

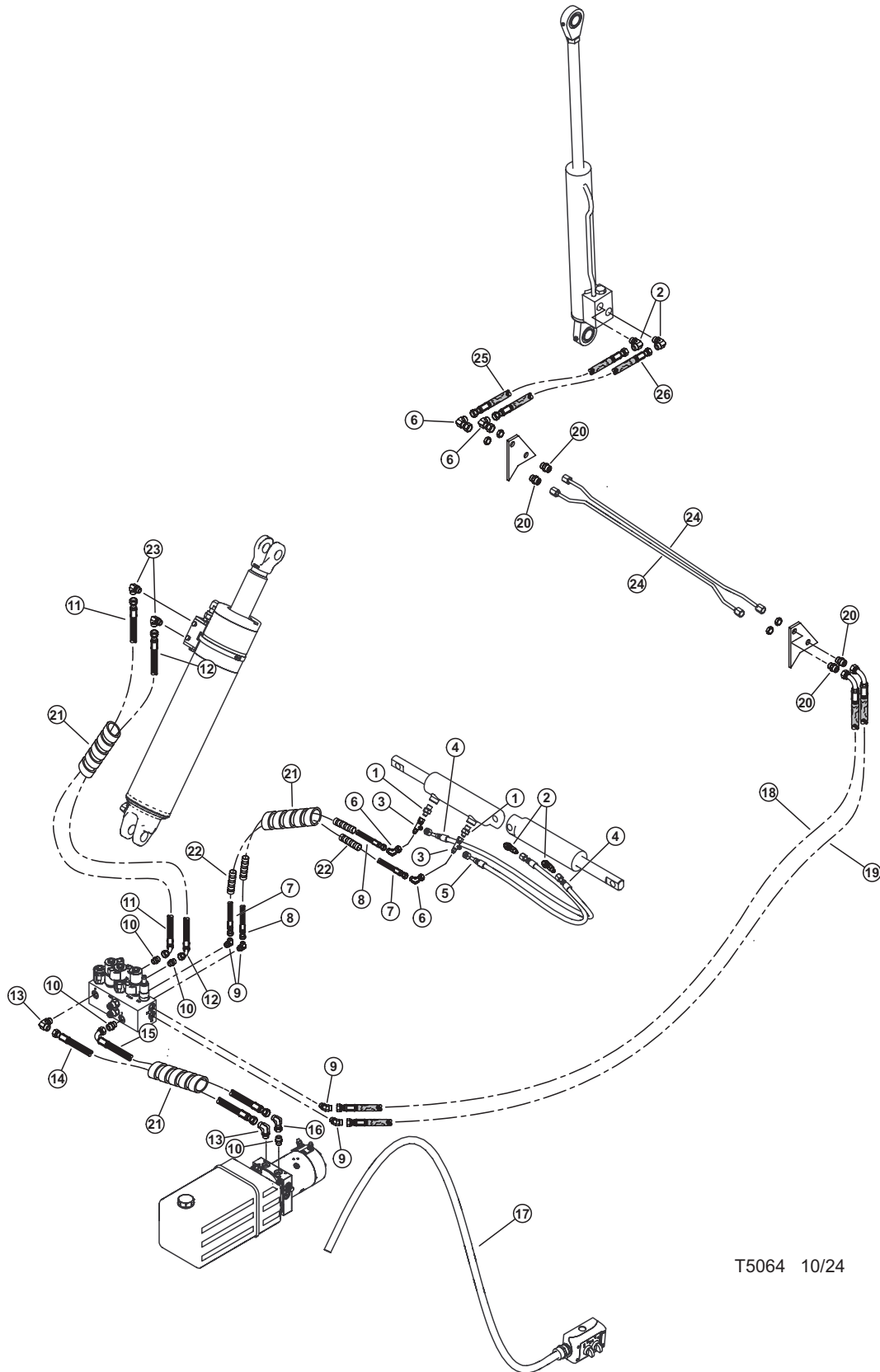
LOWER CAB RISER

LIFT PUMP & MANIFOLD INSTALLATION

REF	PART #	QTY	DESCRIPTION	SEE SECTION
1	63593	1	PLATE, TILT SYS MTG	
2	63649	1	PLATE, TILTPUMP COVER	
3	63229	1	PLATE, TILTPUMP COVER	
4	65638	1	PLATE, TILT MANIFOLD COVER	
5	11707	10	BOLT - .375" X 1.00"	
6	10802	22	WASHER, FLAT - .375" SAE	
7	10813	8	NUT, LOCK - .375"	
8	15605	2	BOLT - .3125" X .75"	
9	10801	2	WASHER, FLAT - .3125" SAE	
10	15542	6	BOLT - .375" X .75"	

RISER HYDRAULICS

RISER/GULLWING DOOR HYDRAULIC SYSTEM ASSEMBLY AND INSTALLATION



T5064 10/24

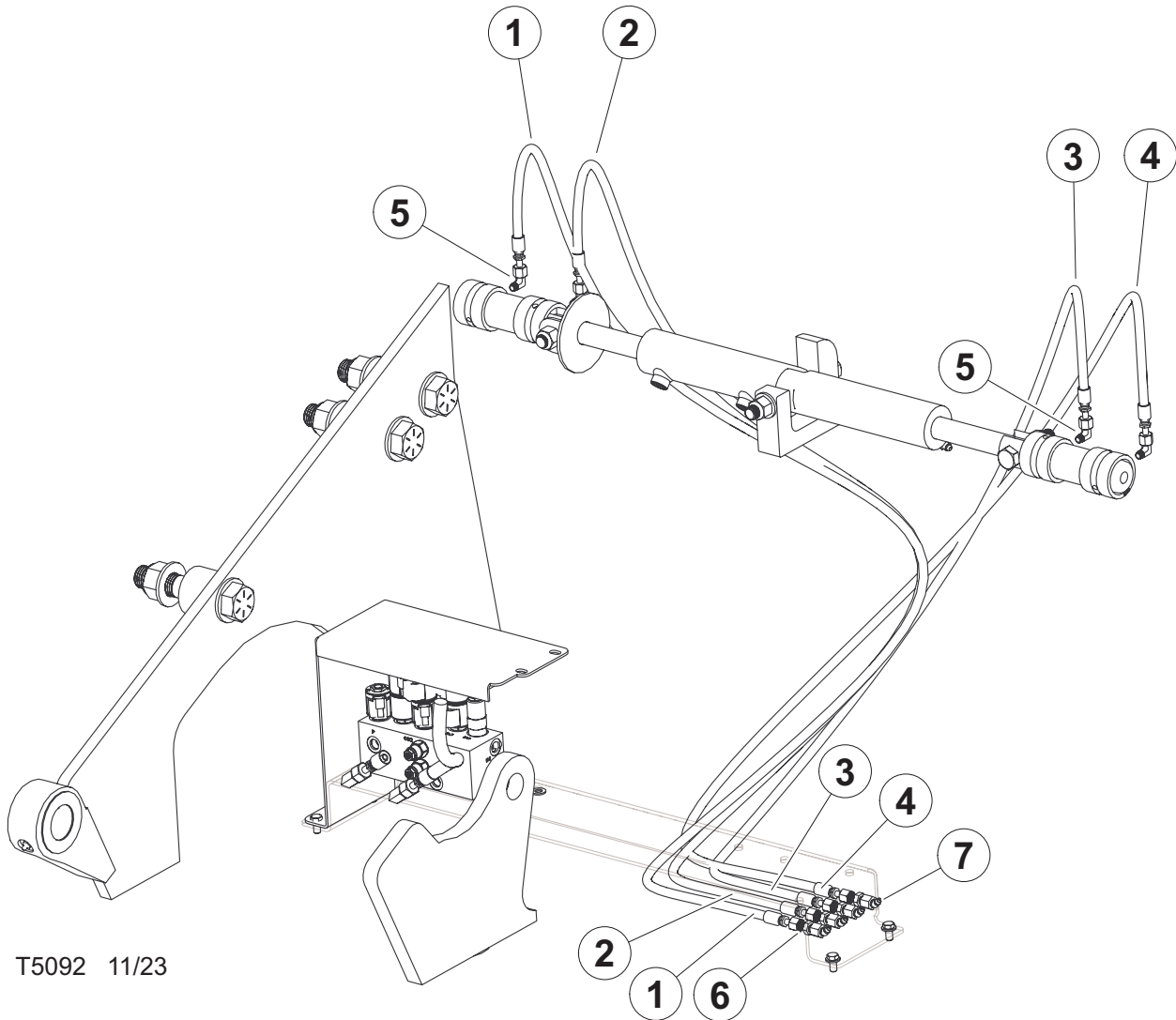
RISER HYDRAULICS

RISER/GULLWING DOOR HYDRAULIC SYSTEM ASSEMBLY AND INSTALLATION

REF	PART #	QTY	DESCRIPTION	SEE SECTION
1	15124	2	CONNECTOR, STR - FF1852T-0406S	
2	15133	4	ELBOW, 90 - FF1868T-0406S	
3	15176	2	TEE - FF2114T-0404S	
4	(KIT - 59057)	1	HOSE ASSEMBLY - 387TC30.5 04-04OS-04O9	
5	(KIT - 59057)	1	HOSE ASSEMBLY - 387TC20.5 04-04OS-04O9	
6	15145	2	ELBOW, 90 SWIVEL - FF2098T-0404S	
7	(KIT - 59057)	1	HOSE ASSEMBLY - 387TC31.5 04-04OS-04OS	
8	(KIT - 59057)	1	HOSE ASSEMBLY - 387TC27 04-04OS-04OS	
9	17646	4	ELBOW, 45 - FF2068T-0406S	
10	18034	4	CONNECTOR, STR - FF1852T-0606S	
11	(KIT - 59057)	1	HOSE ASSEMBLY - 387TC65.5 06-06OS-06O4	
12	(KIT - 59057)	1	HOSE ASSEMBLY - 387TC63 06-06OS-06O4	
13	16296	2	ELBOW, 90 - FF1868T-0606S	
14	(KIT - 59057)	1	HOSE ASSEMBLY - 387TC24 06-06OS-06OS	
15	(KIT - 59057)	1	HOSE ASSEMBLY - 387TC23 06-06OS-06O9	
16	20035	1	ELBOW, 90 SWIVEL - 6 C6LO-S	
17	58606	1	PENDANT (CAB TILT)	
18	(KIT - 59057)	1	HOSE ASSEMBLY - 387TC194 04-04OS-04O9-W	
19	(KIT - 59057)	1	HOSE ASSEMBLY - 387TC194 04-04OS-04O9-W	
20	55383	4	FITTING, BULKHEAD - 4 WTX-WLN-S	
21	19677	AR	PROTECTOR, HOSE - SPRIAL (1.25")(BULK)	
22	20843	AR	PROTECTOR, HOSE - SPRIAL (.78")(BULK)	
23	18034	2	ELBOW, 90 - FF1868T-0606S	
24	57337	2	TUBELINE, CANOPY CYL BULKHEAD	
25	(See Description)	1	Gullwing Lift Pump Hose (Supplier Hose Part #: 387TC 16-04 04JS-04JS-SW)	
26	(See Description)	1	Gullwing Lift Pump Hose (Supplier Hose Part #: 387TC 18-04 04JS-04JS-SW)	

RISER HYDRAULICS

LOCK CYLINDER GREASE LINES



T5092 11/23

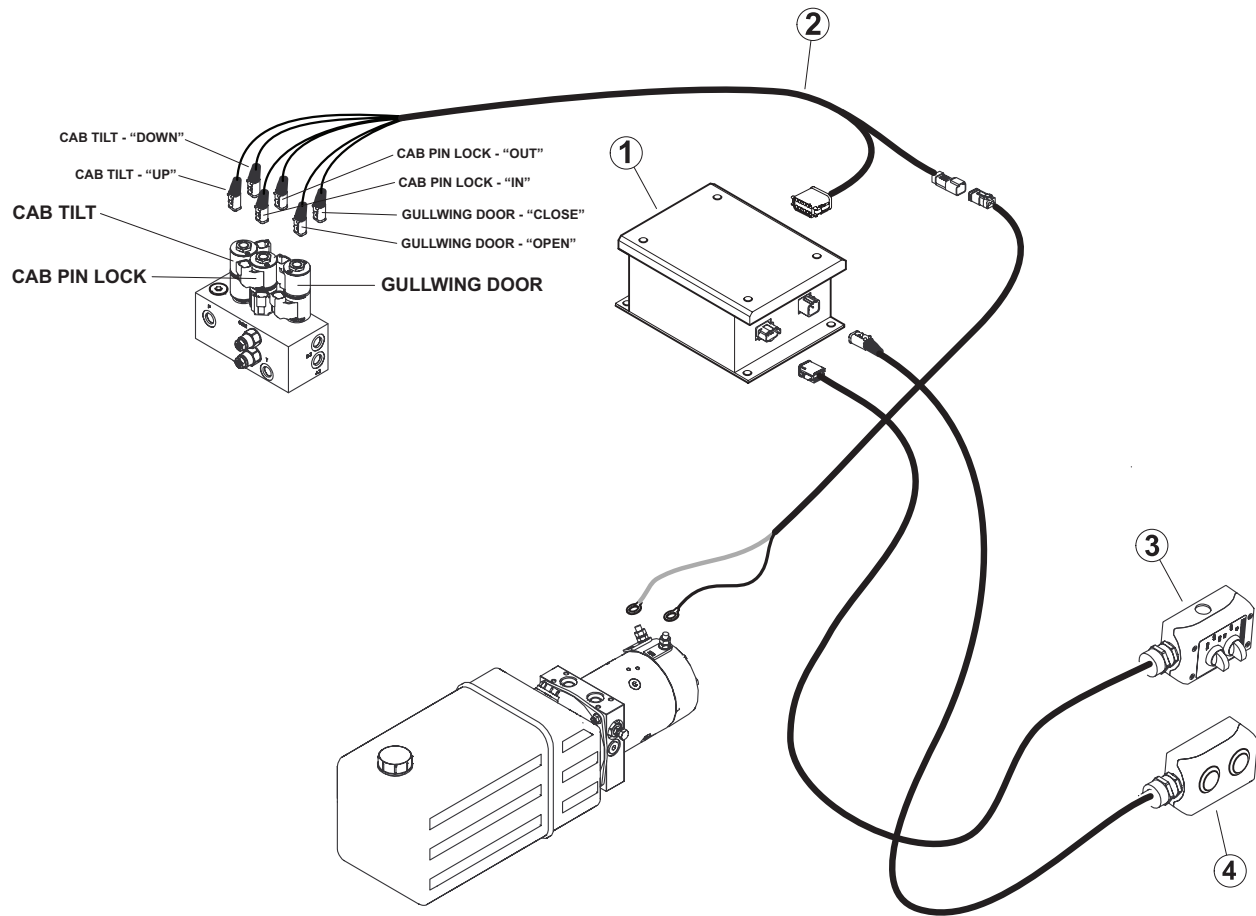
RISER HYDRAULICS

LOCK CYLINDER GREASE LINES

REF	PART #	QTY	DESCRIPTION	SEE SECTION
1	(KIT - 59057)	1	HOSE ASSEMBLY - HLBD77 02-02PS-04JS	
2	(KIT - 59057)	1	HOSE ASSEMBLY - HLBD74 02-02PS-04JS	
3	(KIT - 59057)	1	HOSE ASSEMBLY - HLBD65 02-02PS-04JS	
4	(KIT - 59057)	1	HOSE ASSEMBLY - HLBD68 02-02PS-04JS	
5	(CALL)	4	90 DEGREE ELBOW CONNECTOR, 1/8 NPTF MALE	
6	15658	4	CONNECTOR, STR BULKHEAD - 2239-2-4S	
7	15683	4	FITTING, GREASE - .125 NPT - 45	

RISER HYDRAULICS

CAB TILT, PIN LOCK & GULLWING DOOR CONTROL



T6004 11/23

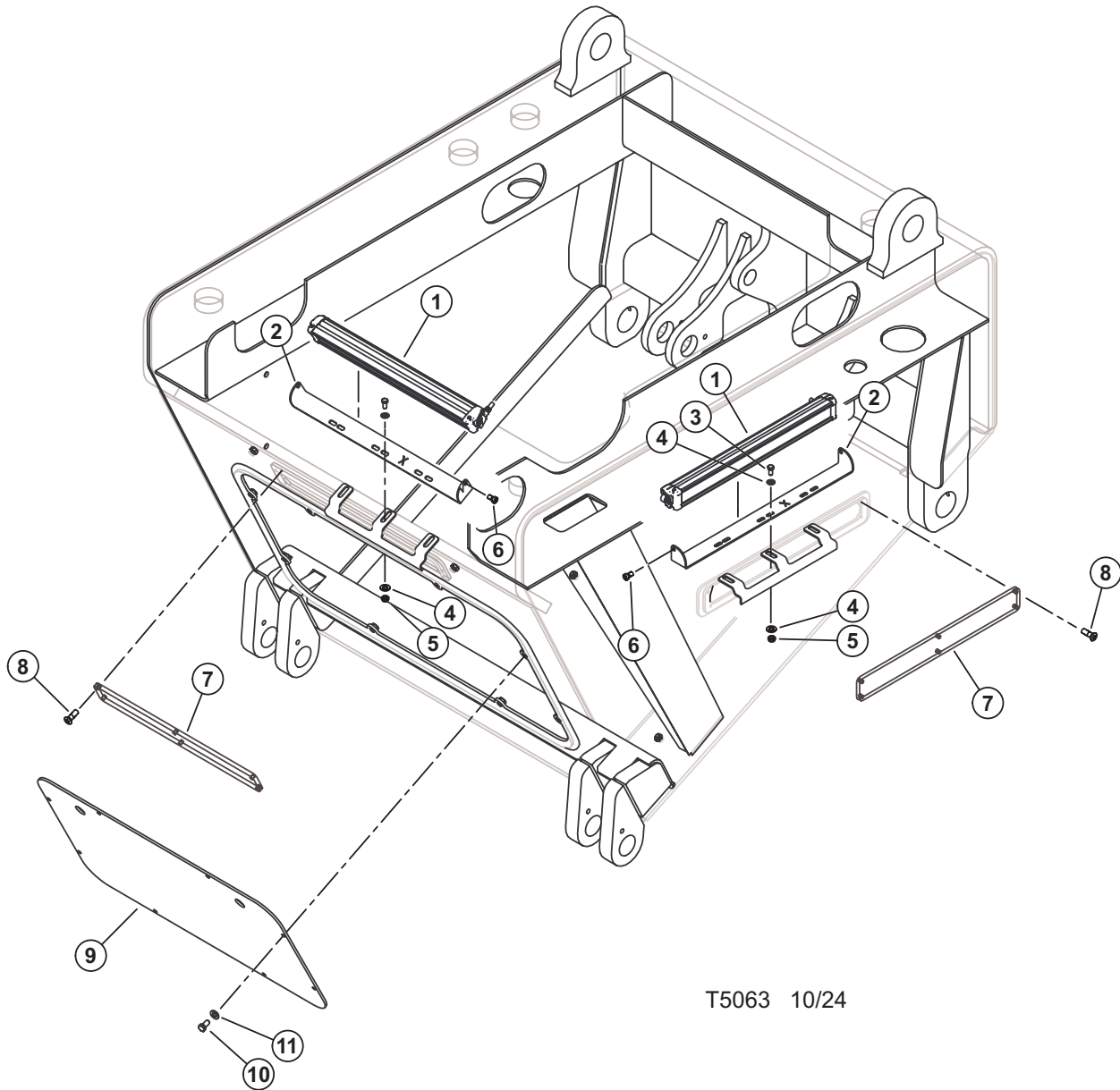
RISER HYDRAULICS

CAB TILT, PIN LOCK & GULLWING DOOR CONTROL

REF	PART #	QTY	DESCRIPTION	SEE SECTION
1	(CALL)	1	CONTROL BOX	
2	61356	1	ELECTRICIAL HARNESS	
3	58606	1	PENDANT, CAB TILT	
4	58340	1	PENDANT, GULLWING DOOR	

UPPER RISER

WORK LIGHT & COVER INSTALLATION



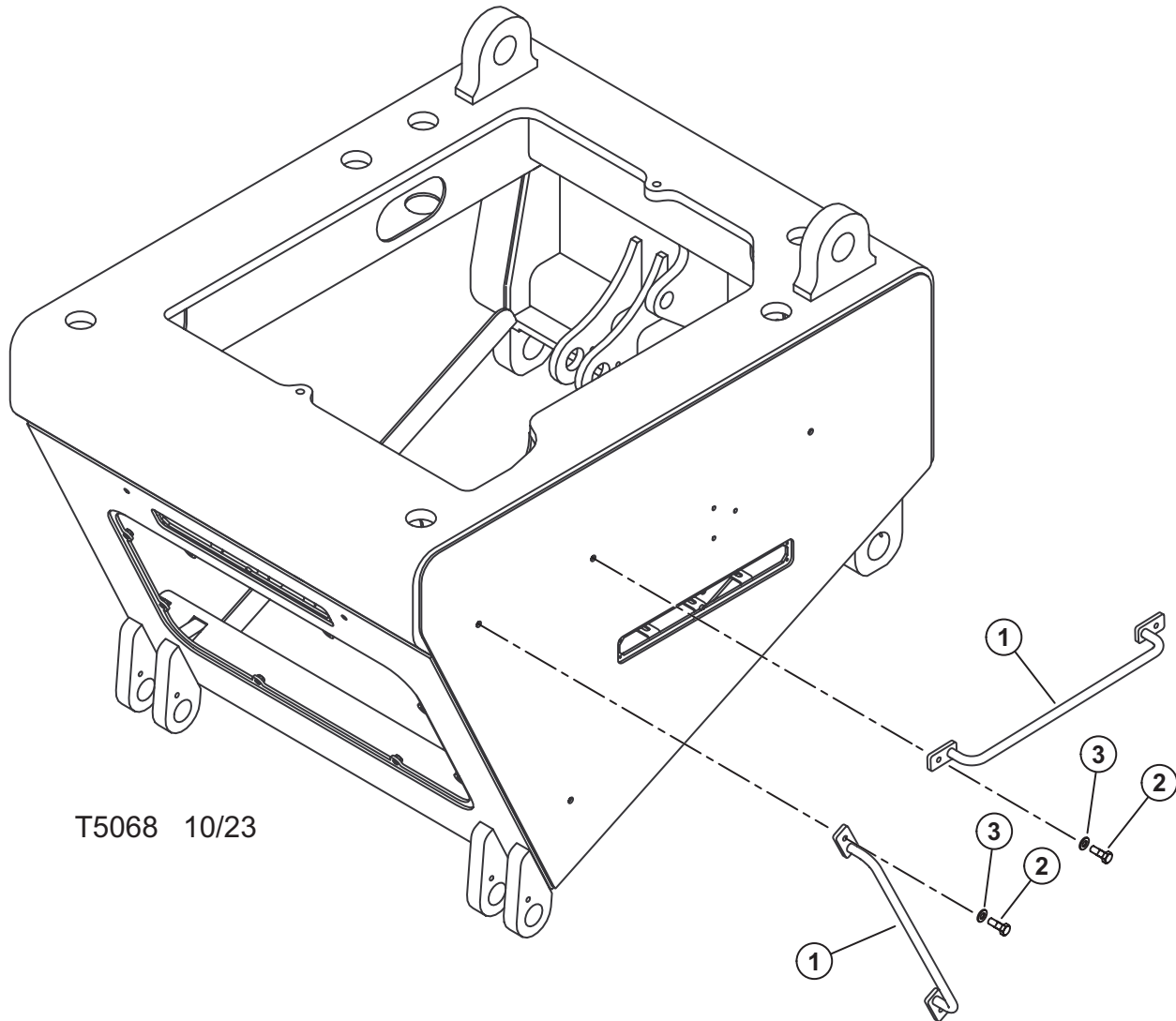
T5063 10/24

UPPER RISER

WORK LIGHT & COVER INSTALLATION

REF	PART #	QTY	DESCRIPTION	SEE SECTION
1	59047	2	LIGHT BAR, 15LED (VISIONX)	
2	61555	2	PLATE, 15LED MT, VISIONX	
3	15576	6	BOLT - .25" X 1.00"	
4	10800	12	WASHER, FLAT - .25" SAE	
5	15509	6	NUT, NYLOCK - .25"	
6	(CALL)	4	BOLT - M10 X 20	
7	49335	2	LEXAN, LIGHT GUARD	
8	15604	12	BOLT (BUTTON HEAD) - .25" X .75"	
9	644720	1	COVER, ACCESS	
10	15542	8	BOLT - .375" X .75"	
11	10802	8	WASHER, FLAT - .375" SAE	

UPPER RISER GRAB HANDLE INSTALLATION



T5068 10/23

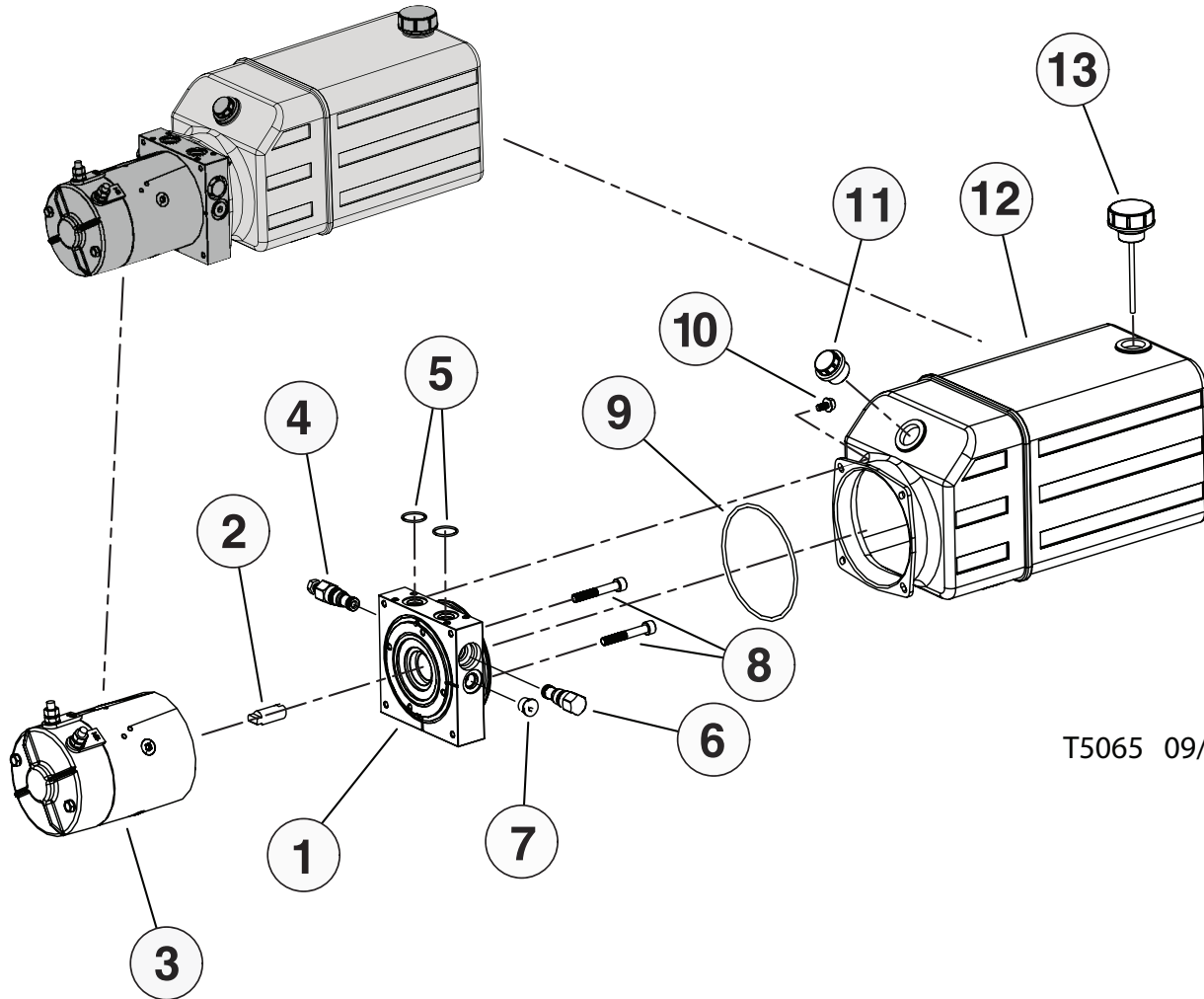
UPPER RISER

GRAB HANDLE INSTALLATION

REF	PART #	QTY	DESCRIPTION	SEE SECTION
1	63540	2	WELDMENT, GRAB HANDLE - LOG LOADER	
2	10402	4	BOLT - .375" X 1.25"	
3	10802	4	WASHER, FLAT - .375"	

RISER HYDRAULICS

RISER/GULLWING DOOR LIFT PUMP



T5065 09/23

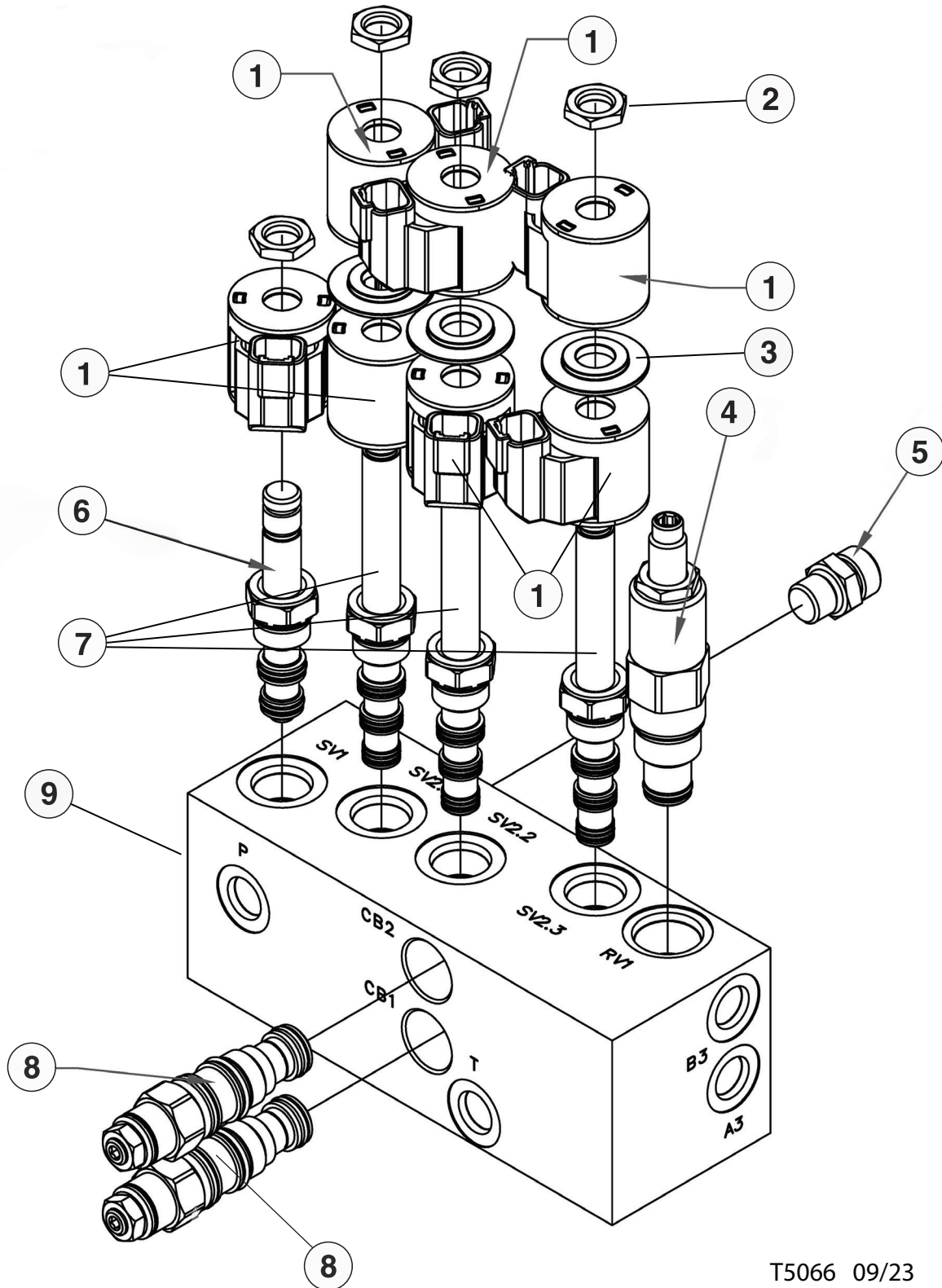
RISER HYDRAULICS

RISER/GULLWING DOOR LIFT PUMP

REF	PART #	QTY	DESCRIPTION	SEE SECTION
	58602	1	PUMP, POWER UNIT - GULL WING/CAB LOG LOADER	
1	(CALL)	1	Flange Cover	
2		1	Key	
3		1	Motor	
4		1	Relief Valve	
5		1	O-Ring	
6		1	Relief Valve	
7		1	Plug	
8		1	BOLT	
9		1	O-Ring	
10		1	Fastener	
11		1	Plug	
12		1	Tank	
13	(CALL)	1	Breather	

RISER HYDRAULICS

RISER / GULLWING DOOR HYD. MANIFOLD



T5066 09/23

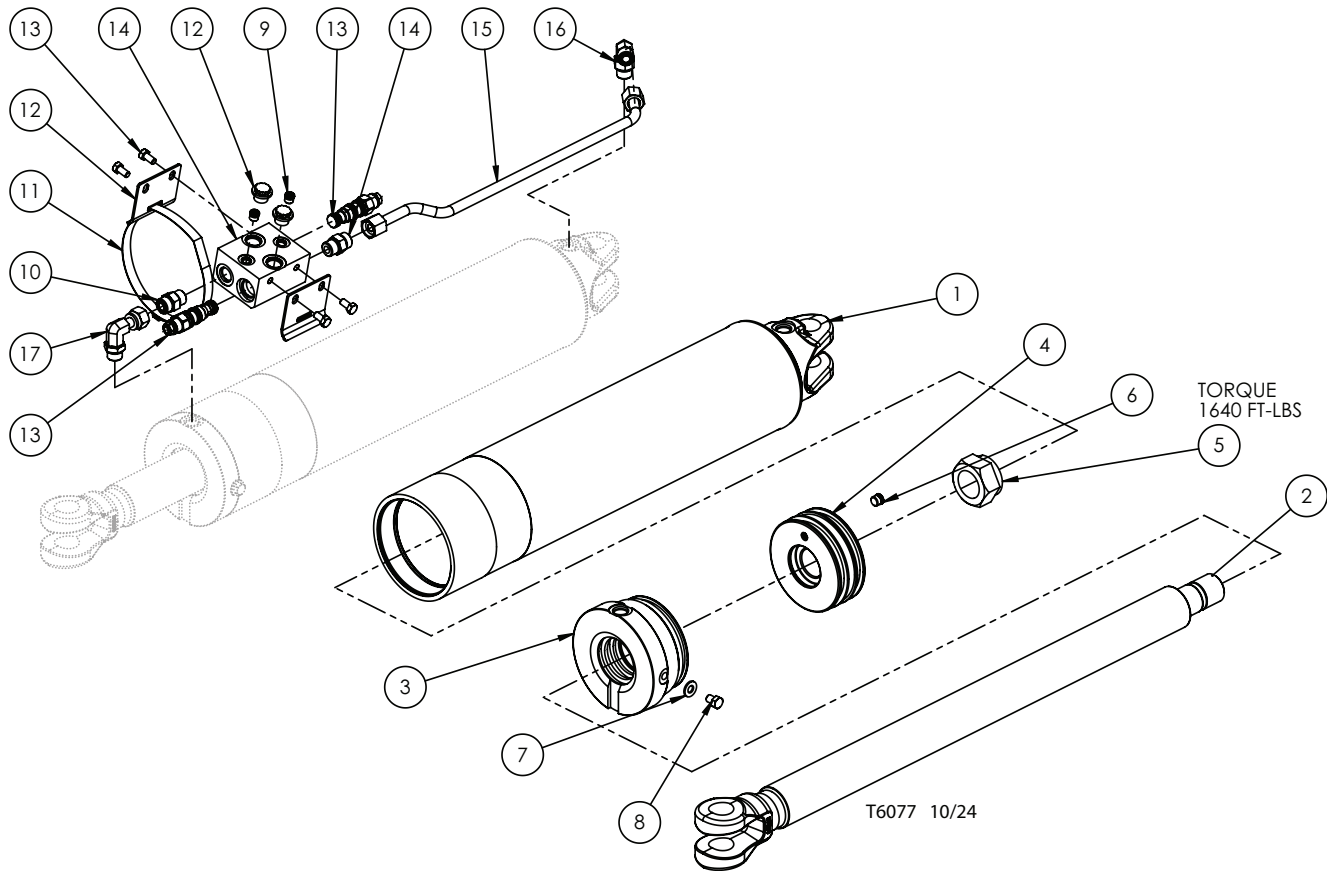
RISER HYDRAULICS

RISER / GULLWING DOOR HYD. MANIFOLD

REF	PART #	QTY	DESCRIPTION	SEE SECTION
	58601	1	MANIFOLD, RISER/CLAM TILT ASSY.	
1	(CALL)	7	COIL 24V	
2		4	COIL NUT	
3		3	COIL SPACER	
4		1	RELIEF VALVE	
5		1	CHECK VALVE	
6		1	DIRECTIONAL CONTROL VALVE	
		1	SEAL KIT (SVOB-30-0-N-00)	
7		1	DIRECTIONAL CONTROL VALVE	
		3	SEAL KIT (SVOB-47D-0-N-00)	
8		2	COUNTER BALANCE VALVE	
		2	SEAL KIT (CBCH-LDN)	
9	(CALL)	1	MANIFOLD BLOCK - ALUMINUM	

RISER HYDRAULICS

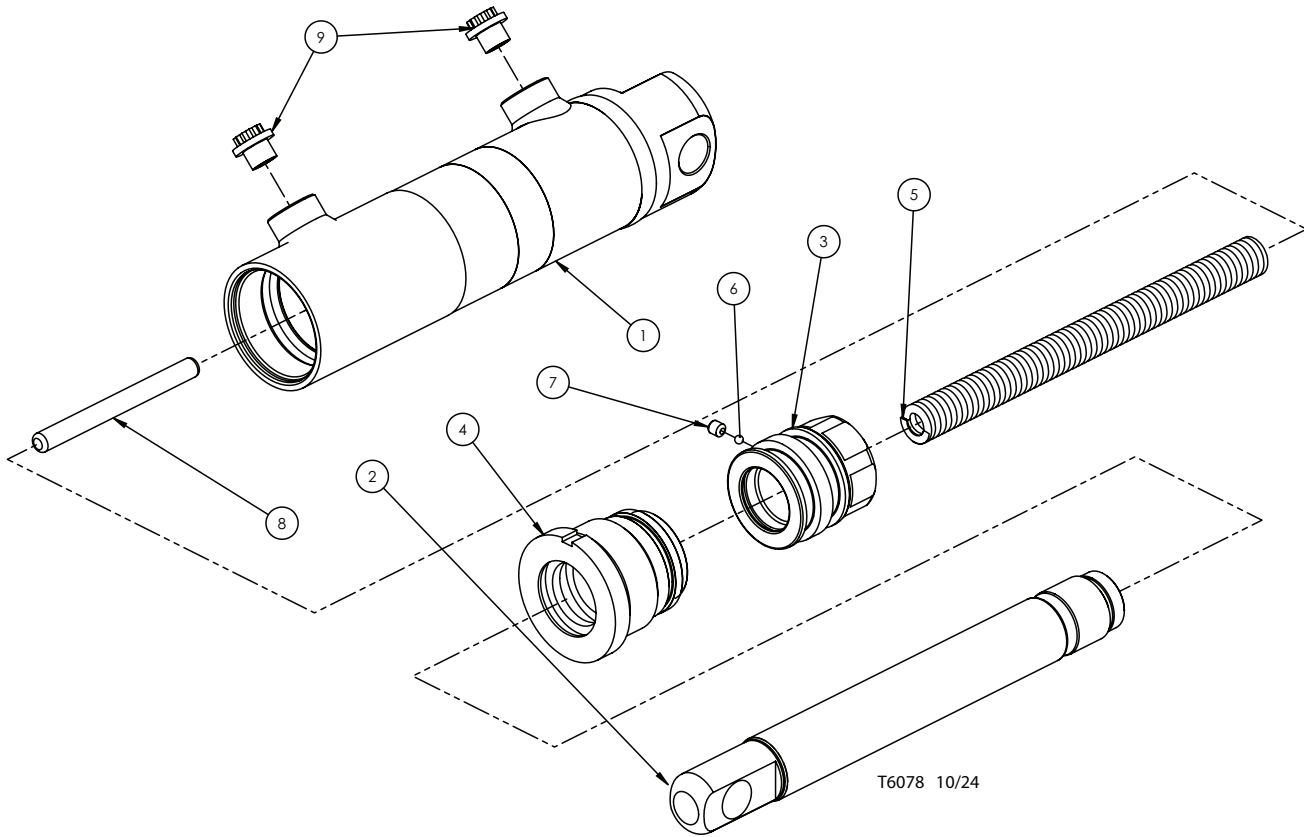
CAB TILT CYLINDER



REF	PART #	QTY	DESCRIPTION	SEE SECTION
	63458	1	CYLINDER, CAB TILT LOG LOADER	
1	(CALL)	1	BARREL ASSEMBLY	
2		1	ROD	
3		1	GLAND	
4		1	PISTON	
5		1	LOCK NUT	
6		1	PLUG	
7		1	WASHER	
8		1	BOLT	
9		1	PLUG	
10		2	FITTING	
11		1	CLAMP	
12		1	PLATE	
13		2	CARTRIDGE	
14		1	FITTING	
15		1	TUBE ASSEMBLY	
16		1	FITTING	
17		1	FITING	
	(CALL)	1	SEAL KIT	

RISER HYDRAULICS

RISER CYLINDER, CYLINDER, CAB PIN LOCK



T6078 10/24

REF	PART #	QTY	DESCRIPTION	SEE SECTION
	63459	1	CYLINDER, CAB PIN LOCK	
1	(CALL)	1	BARREL ASSEMBLY	
2		1	ROD	
3		1	PISTON	
4		1	GLAND	
5		1	SPRING	
6		1	STEEL BALL	
7		1	SET SCREW	
8		1	DOWEL PIN	
9	(CALL)	2	SHIPPING PLUG	
		1	SEAL KIT	

