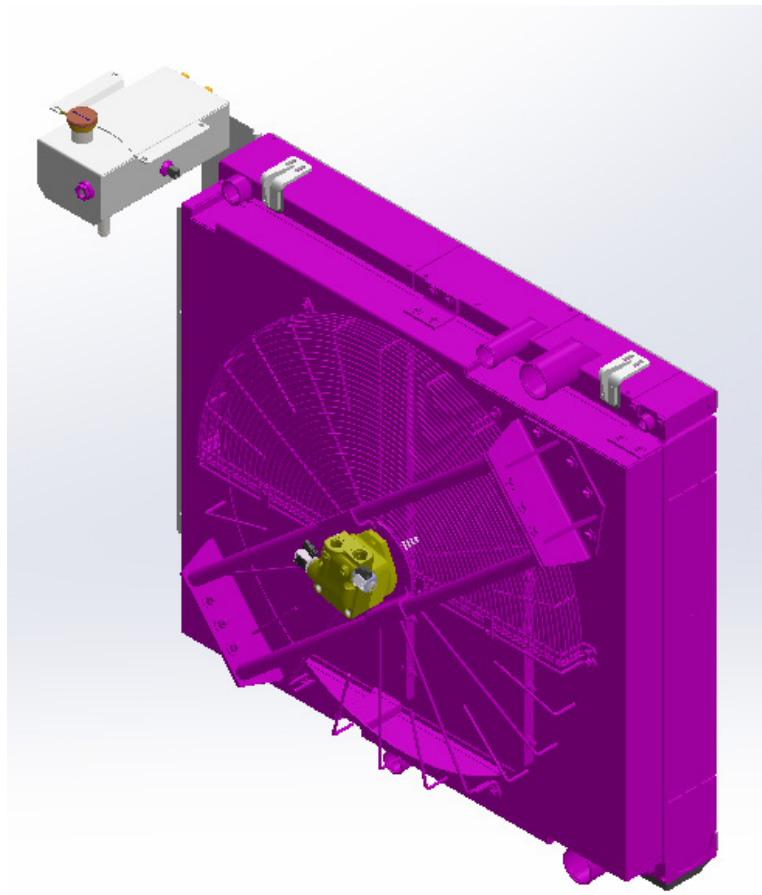
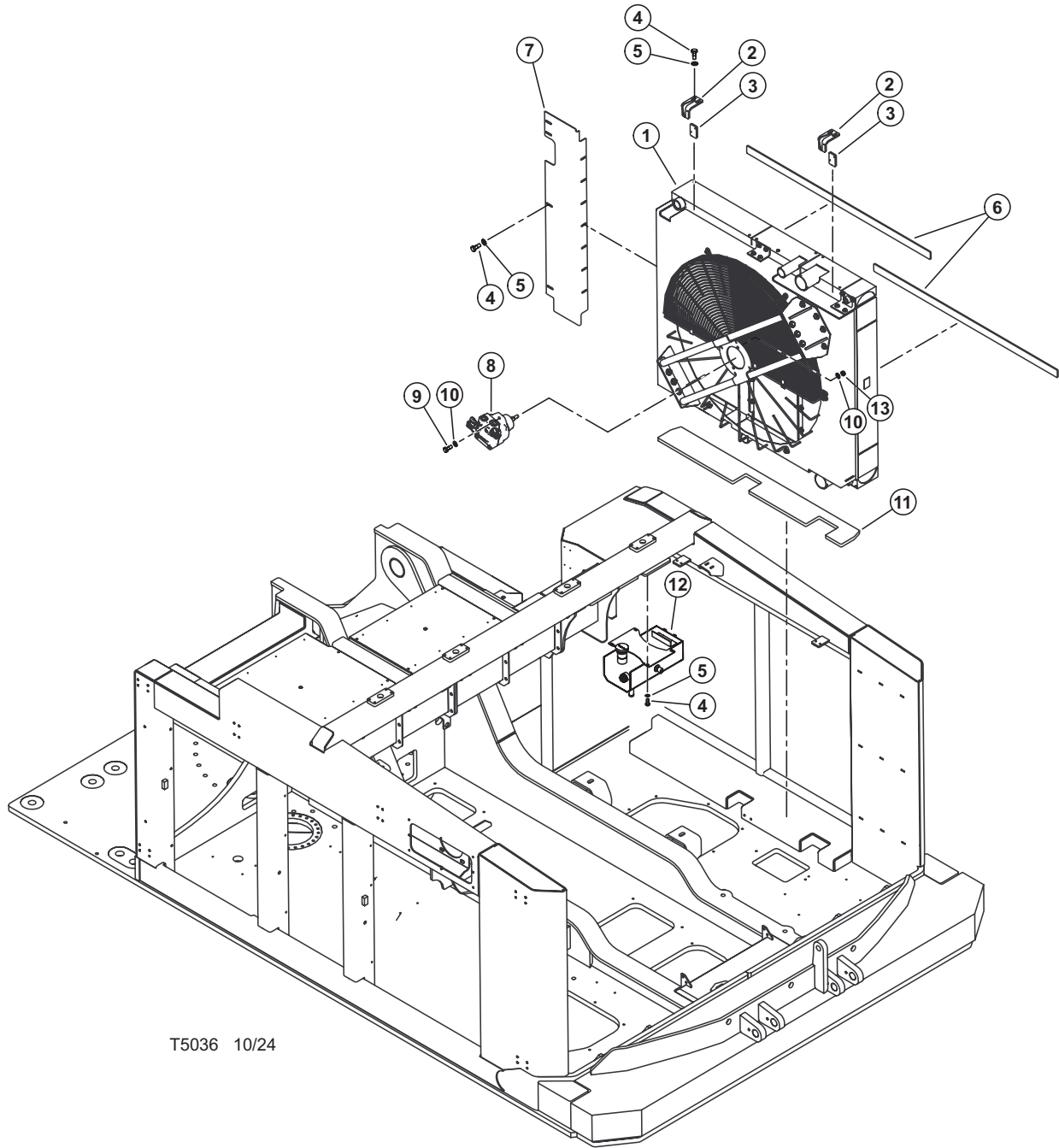


SECTION UP-2 (UPPER TURNTABLE RADIATOR & OIL COOLER)



UPPER TURNTABLE (RADIATOR / OIL COOLER INSTALLATION)

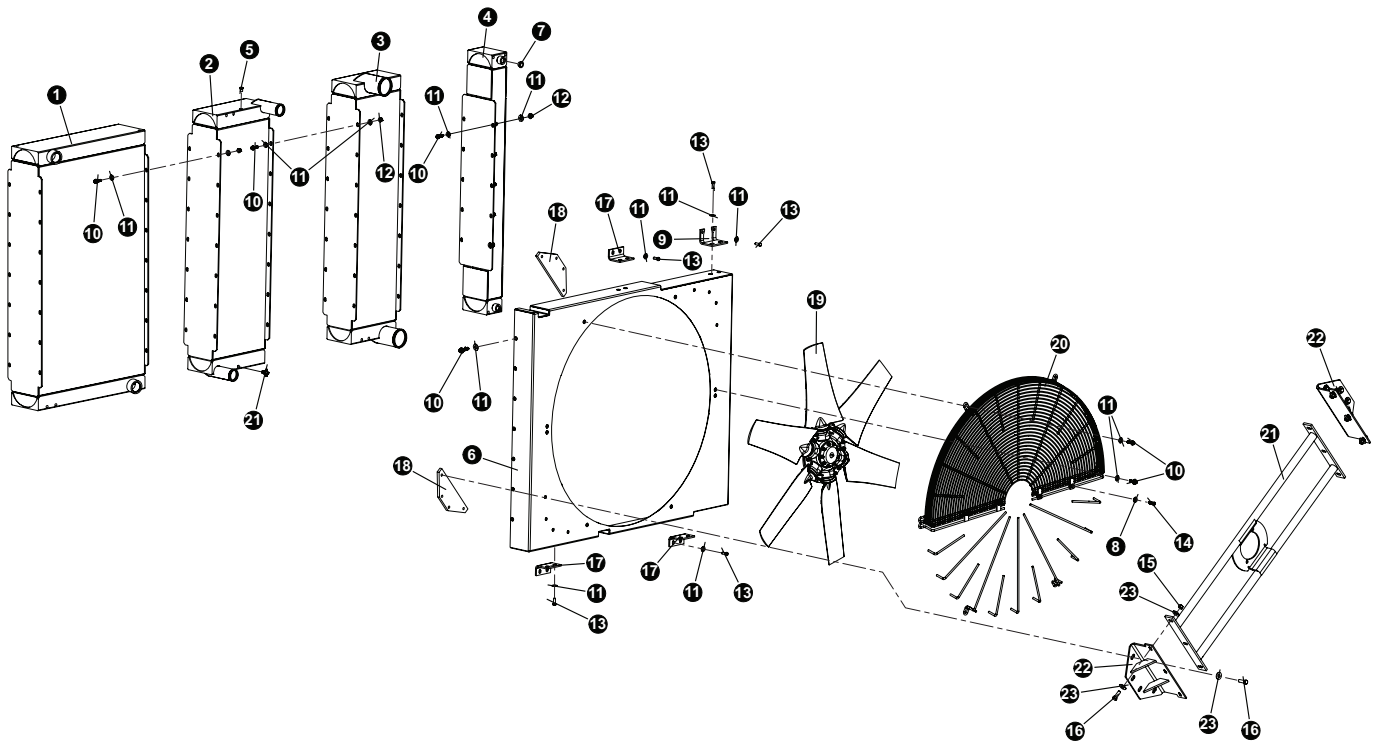


T5036 10/24

UPPER TURNTABLE (RADIATOR / OIL COOLER INSTALLATION)

REF	PART #	QTY	DESCRIPTION	SEE SECTION
1	58128	1	RADIATOR / OIL COOLER - STAGE V TAIL SWING (COMPLETE UNIT)	
2	62140	2	WELDMENT, COOLER TOP CLAMP	
3	60106	2	RUBBER, COOLER TOP CLAMP	
4	10402	9	BOLT - .375" X 1.25"	
5	10802	9	WASHER, FLAT - .375"	
6	62149	2	RUBBER, COOLER FRONT	
7	62563	1	PLATE, COOLER FILL PANEL	
8	55215	1	MOTOR, FAN DRIVE - RADIATOR W/FAN CONTROL	
9	18933	2	BOLT - .5" X 1.75"	
10	15534	4	WASHER, SAE FLAT - .5"	
11	62148	1	RUBBER, COOLER BASE	
12	60665	1	TANK, SURGE	
13	10815	2	NUT, LOCK - .5" (NOT SHOWN)	

UPPER TURNTABLE (RADIATOR / OIL COOLER BREAKDOWN)



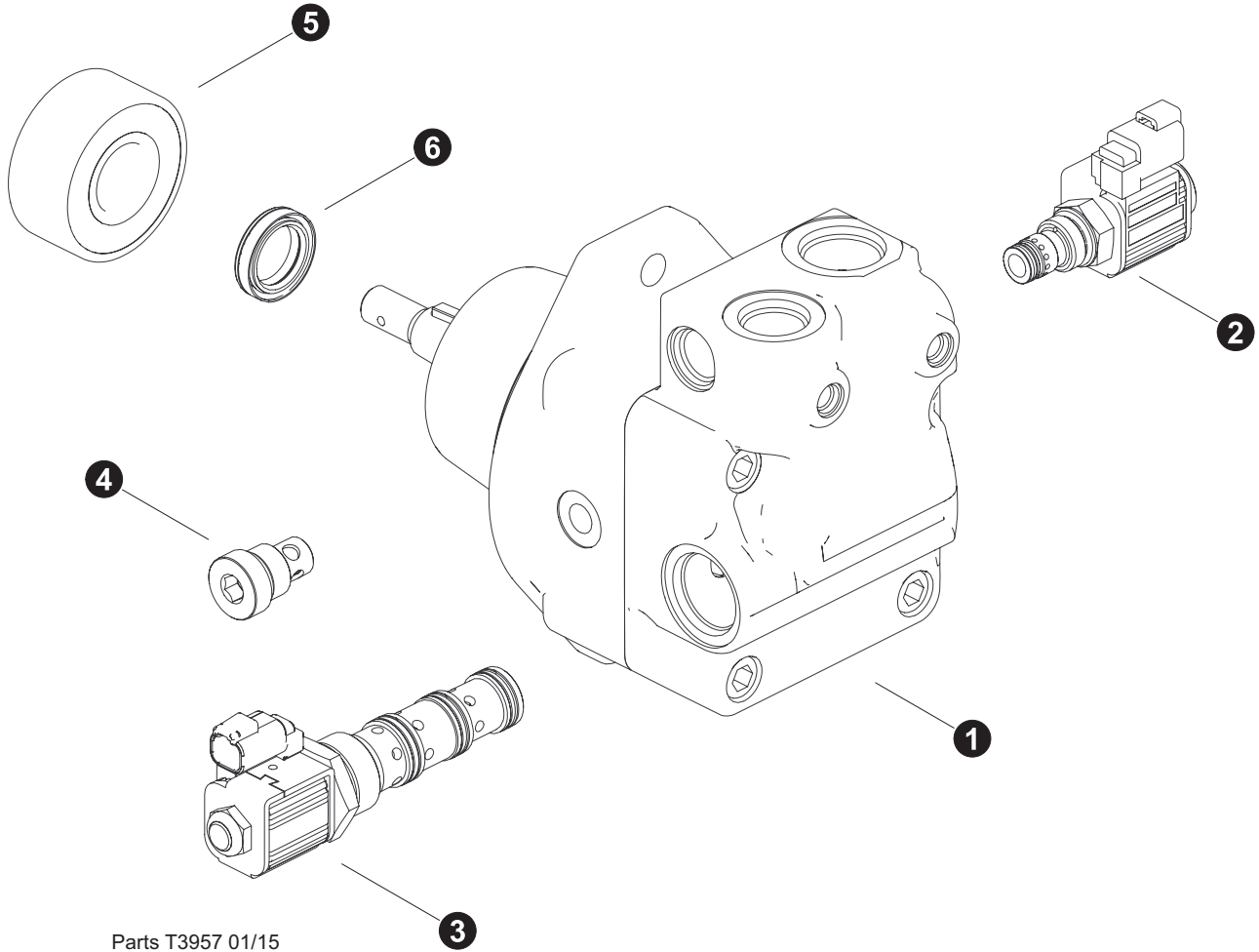
UPPER TURNTABLE

(RADIATOR / OIL COOLER BREAKDOWN)

REF	PART #	QTY	DESCRIPTION	SEE SECTION
-	58128	1	RADIATOR / OIL COOLER - STAGE V TAIL SWING (COMPLETE UNIT)	
1	58168	1	Core Hyd Oil Cooler	
2	(CALL)	1	Radiator	
3		1	Charge Air Cooler	
4		1	Gearbox Oil Cooler	
5		1	Insert	
6		1	Fan Shroud	
7		1	Adaptor Insert	
8		1	Washer	
9		1	Bracket	
10		68	Bolt	
11		118	Washer	
12		38	Nut	
13		18	Bolt	
14		4	Bolt	
15		6	Nut	
16		14	Bolt	
17		3	Bracket	
18		2	Support	
19	58146	1	FAN, RADIATOR - 44" D-TAIL SWING STAGE V	
20	(CALL)	1	Fan Cover	
21		1	Fan Motor Mount	
22		2	Mounting Bracket)	
23	(CALL)	20	Washer	

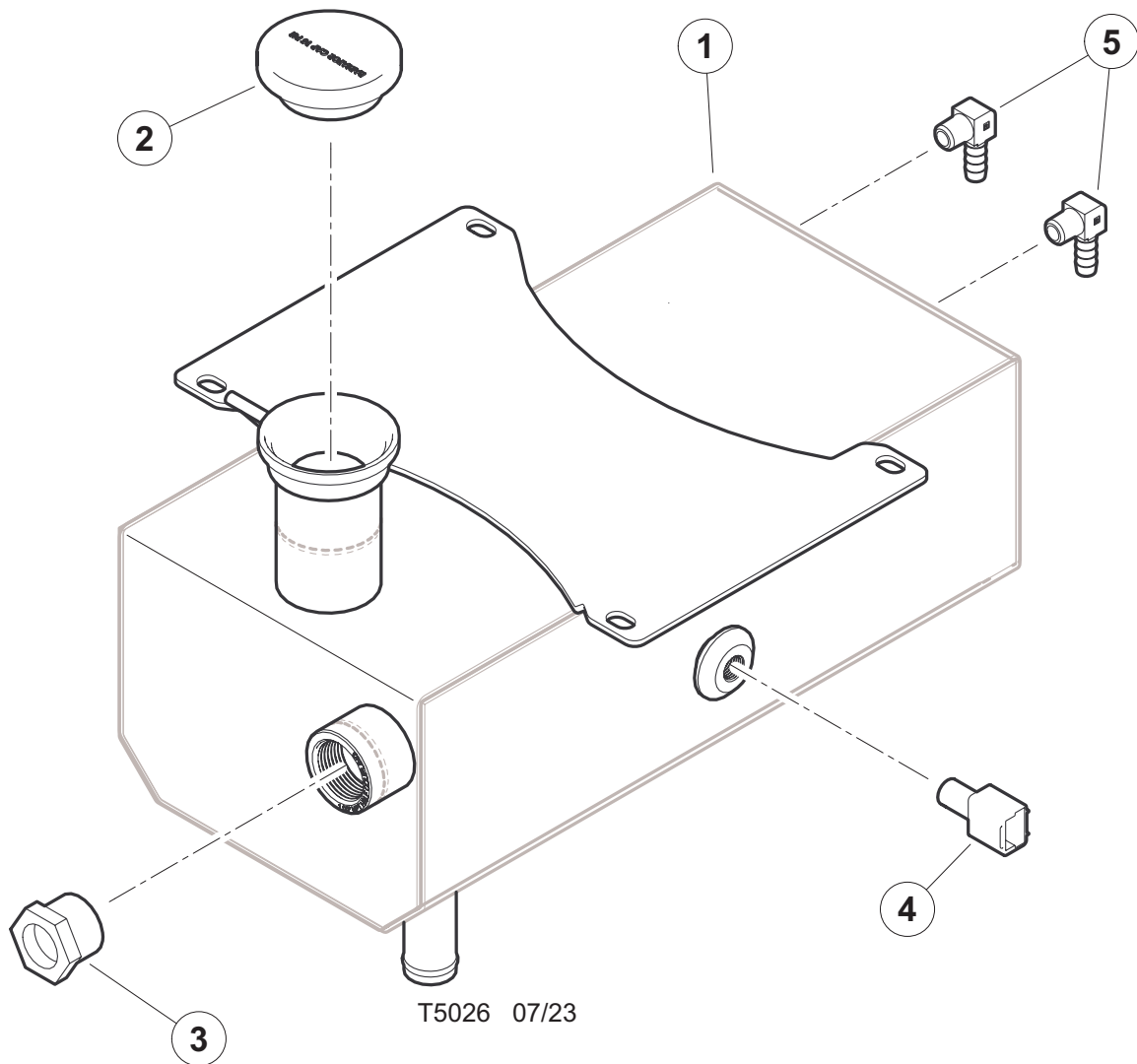
UPPER TURNTABLE

(RADIATOR / OIL COOLER FAN DRIVE MOTOR)



REF	PART #	QTY	DESCRIPTION	SEE SECTION
1	55215	1	MOTOR, FAN DRIVE - RADIATOR W/FAN CONTROL	
2	57603	1	ASSEMBLY, Fan Reverse Valve	
3	57604	1	ASSEMBLY, Fan Control	
4	(CALL)		ASSEMBLY, Check Valve	
5	(CALL)	1	BEARING	
6	57670	1	SHAFT SEAL	

UPPER TURNTABLE (RADIATOR OVERFLOW TANK)



REF	PART #	QTY	DESCRIPTION	SEE SECTION
1	60665	1	WELDMENT, D-SERIES SURGE TANK	
2	57893	1	CAP, RADIATOR 15 LB	
3	24308	1	SIGHT GLASS - HYDRAULIC TANK	
4	58117	1	SENSOR, LOW COOLANT - STAGE 5	
5	52586	2	ELBOW, 90 MALE HOSE BARB 6-4	

